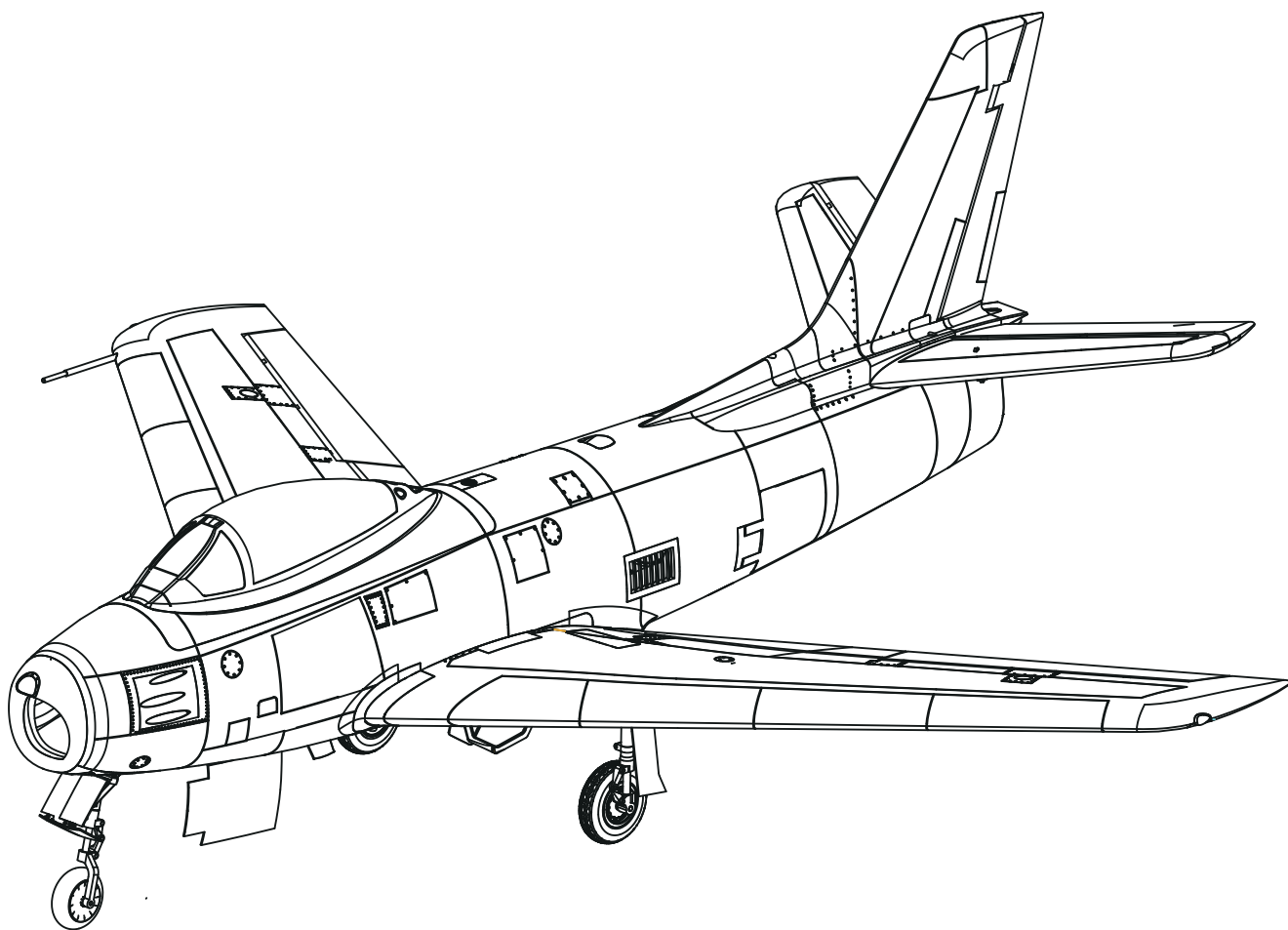


FMS

80mm F-86



Instruction Manual
Bedienungsanleitung
Manuel d'utilisation
操作手册

MAN-G0244

REALISTIC
高还原度

RIGID
高强度EPO泡沫

STABLE
高安定性

FMSMODEL.COM

WARNING

WARNING: Read the ENTIRE instruction manual to become familiar with the features of the product before operating. Failure to operate the product correctly can result in damage to the product, personal property and cause serious injury.

This is a sophisticated hobby product and NOT a toy. It must be operated with caution and common sense and failure to do so could result in injury or damage to the product or other property. This product is not intended for use by children without direct adult supervision.

This manual contains instructions for safety operation and maintenance. It is essential to read and follow all the instructions and warnings in the manual prior to assembly, setup or use, in order to operate and avoid damage or serious injury.

Safety precautions and warnings

As the user of this product, you are solely responsible for operating in a manner that does not endanger yourself and others or result in damage to the product or the property of others. This model is controlled by a radio signal subject to interference from many sources outside your control. This interference can cause momentary loss of control so it is advisable to always keep a safe distance in all directions around your model, as this margin will help avoid collisions or injury.

Age Recommendation: Not for children under 14 years. This is not a toy.

- Never operate your model with low transmitter batteries.
- Always operate your model in an open area away from cars, traffic or people.
- Avoid operating your model in the street where injury or damage can occur.
- Never operate the model in populated areas for any reason.
- Carefully follow the directions and warnings for this and any optional support equipment you use (chargers, rechargeable battery packs, etc.)
- Keep all chemicals, small parts and anything electrical out of the reach of children.
- Moisture causes damage to electronics. Avoid water exposure to all equipment not specifically designed and protected for this purpose.
- Never lick or any place of any your model in your mouth as it could cause serious injury or even death.

Safety**Lithium Polymer (Li-Po) Battery Warning**

CAUTION: Always follow the manufacturer's instructions for safe use and disposal of batteries. Fire, property damage, or serious injury can result from the mishandling of Li-Po batteries.

- By handling, charging or using a Li-Po Battery you assume all risks associated with lithium batteries.
 - If at any time the batteries begin to swell or balloon, discontinue use immediately!
 - Always store the batteries at room temperature in a dry area to extend the life of the battery. Always transport or temporarily store the battery in a temperature range of 40-120F. Do not store the battery or model in a car or in direct sunlight. If stored in a hot car, the battery can be damaged or even catch fire.
 - Never use a Ni-Mh Charger to charge Li-Po Batteries. Failure to charge the battery with a Li-Po compatible charger may cause fire resulting in personal injury and property damage.
 - Never discharge Li-Po Cells below 3V.
 - Never leave charging batteries unattended.
 - Never charge damaged batteries.
- Charging the Flight Battery Warning**
- Use a battery charger that is designed to safely charge the Li-Po Battery. Read the charger instructions carefully before use. When charging the battery, make certain the battery is on a heat resistant surface. It is also highly recommended to place the Li-Po Battery inside a fire resistant charging bag readily available at hobby shops or online.

Introduction

Background

After the end of World War II, the United States and the Soviet Union brought back aviation experts, data, and equipment from Germany to create their own jet fighter aircraft. The F-86 fighter jet, nicknamed "Sabre," was a swept-wing jet fighter developed by the United States. It was the first-generation jet fighter in service with the U.S. Air Force, capable of air-to-air combat, aerial interception, and bombing missions. It was also the world's first fighter aircraft equipped with air-to-air missiles and the first U.S. fighter aircraft with an ejection seat.

FMS model

Building upon their extensive experience in developing remote-controlled model fighter aircraft, FMS has made significant efforts to faithfully replicate the legendary and classic F-86 "Sabre" with the product standard of "perfect appearance, excellent performance." The model is filled with numerous realistic details, such as operable landing-gear doors, retractable CNC-machined landing gear, movable airbrakes, wing navigation lights (red on the left, green on the right), jet nozzle navigation lights (one red, one green), and landing lights (white). The static model-level exterior details have also been meticulously addressed, including fuel tanks, cockpit interior (molded plastic parts), pitot tubes, and antennas.

Eight 13g all-metal digital servos control the ailerons, flaps, rudder, and elevator, precisely executing input commands to simulate the maneuverability of a fighter aircraft, making maneuvers such as pitching, rolling, yawing, and flipping, easily achievable. Three 9g semi-metal servos control the airbrakes, which can increase the drag and reduce the speed of the aircraft, and the operating of the front-landing gear door, which when worked with the sequencer, can simulate the delayed opening and closing of the front-landing gear door, ensuring

synchronization with the movement of the landing gear during the deployment or retraction process, ensuring safety and smoothness.

The PNP configuration includes a 12-blade 80mm ducted fan, a high-power 3665-KV2000 brushless inrunner motor, and a 100A ESC (with a 5A switch-mode BEC), designed to be used with a commonly available 6S 4000-5500mAh LiPo battery (to be purchased separately). This high-performance power and control system provides excellent performance, longer flight times, and a more realistic turbine-like engine sound for "combat" flying.

Additionally, key areas of the "Sabre" model, such as the fuselage, wings, and tail, are reinforced with multiple embedded strengthening tubes and reinforcement plates, ensuring structural strength during extreme flight maneuvers. The two-piece design of the fuselage reduces packaging size by thirty percent, facilitating easy transport and storage. The model is available in two classic schemes, "THE HUFF" and "SKYBLAZERS," which are easily recognizable in clear skies or overcast conditions.

Features:

1. Electronic configuration: 80mm 12-blade ducted fan, 3665-KV2000 brushless motor, high-performance 100A ESC, 8x 13g all-metal digital servos, 3x 9g semi-metal servos.
2. Rich in dynamic and static realistic details, such as operable landing-gear doors, retractable CNC-machined landing gear set, movable airbrakes, navigation lights, landing lights, fuel tanks, scaled cockpit interior, etc.
3. CNC-machined shock-absorbed full-metal landing gear set effectively countering hard landings.
4. Two-piece fuselage structure reducing packaging size by thirty percent.
5. Realistic water-based paint finish, offering a high-quality appearance.

Kit contents

Before assembly, please inspect the contents of the kit. The photo below details the contents of the kit with labels. If any parts are missing or defective, please identify the name or part number (refer to the spare parts list near the end of the manual) then contact your local shop or email us: support@fmsmodel.com.

Specifications

Wing span: 1220mm /48in

Overall length: 1165mm /46in

Flying weight: ~ 3050g

Motor size: 3665-KV2000

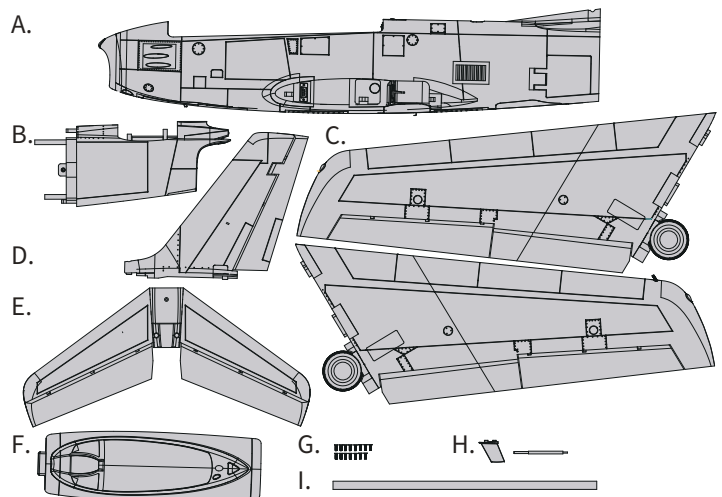
Wing load: 95.3 g/dm² (0.18oz/in²)

Wing area: 32dm² (495.8 sq.in)

ESC: 100A

Servo: 13gX8, 9gX3

Recommended battery: 22.2V 4000mAh-5500mAh 45c

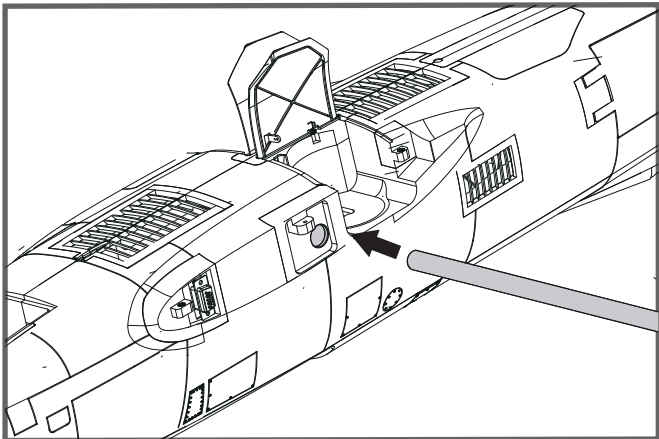


- A. Front fuselage
 B. Rear fuselage
 C. Main wing set
 D. Vertical Stabilizer
 E. Horizontal Stabilizer
 F. Cockpit
 G. Screw set (HKM3.0*10mm x 13)
 H. Antenna and airspeed head
 I. Wing spar

Model assembly

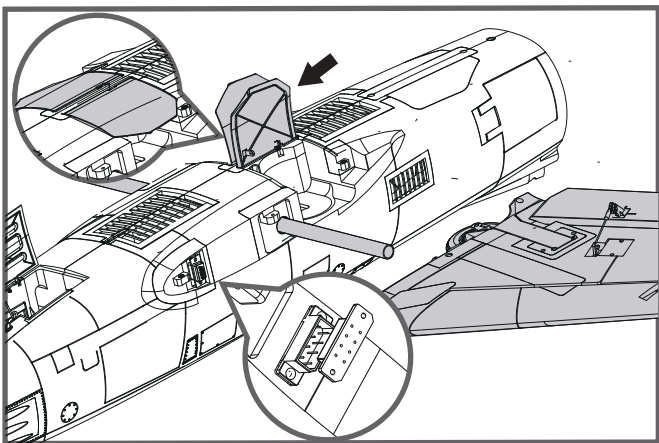
Main wing installation

1. Align and slide the wing spar into the fuselage.

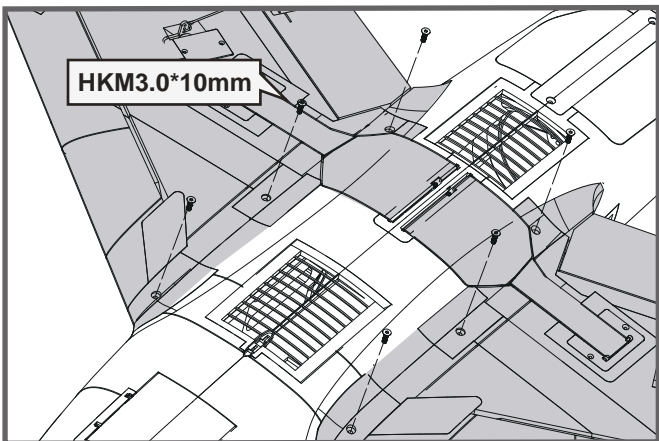


2. Press the left and right door covers down to the bottom (i.e. closed position) and attach the left and right wings with landing gear to the fuselage.

NOTE: The connectors on both sides should be attached precisely and firmly.



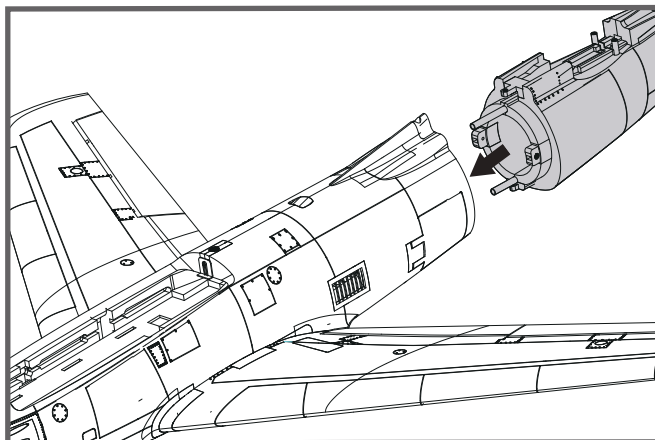
3. Secure the wings on the fuselage using the included screws (HKM3.0*10mm x 6) as shown.



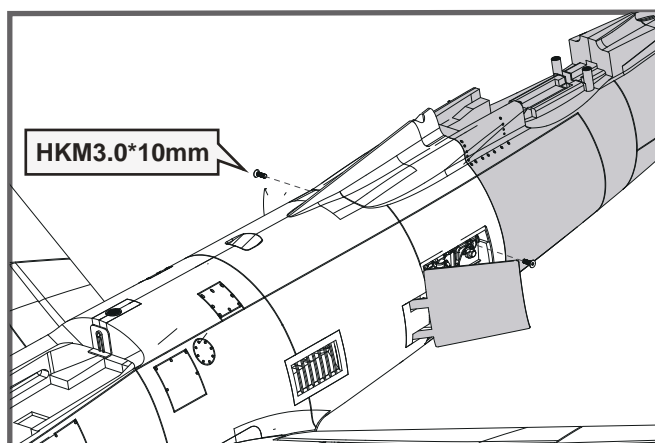
Model assembly

Rear fuselage installation

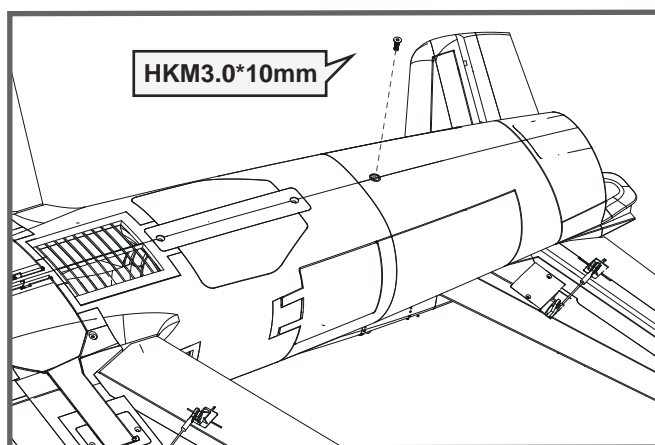
1. Thread the extension wire from front fuselage through the rear fuselage trough, align and install the rear fuselage to the rear of the front fuselage in the corresponding slot as shown.



2. Use the flap channel of the remote control to open the airbrake and use the included screws (HKM3.0*10mm x 2) to secure the rear fuselage horizontally into place.



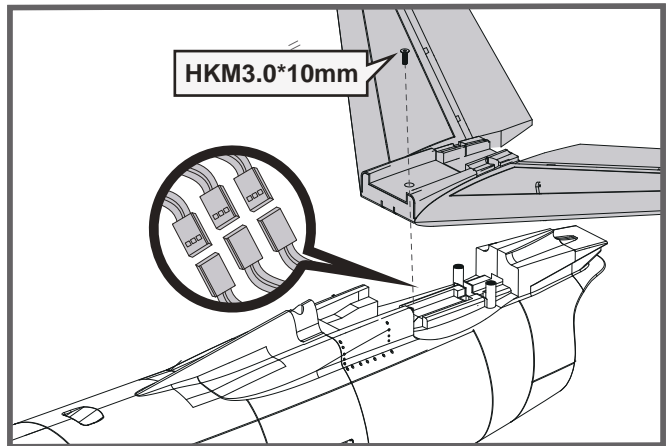
3. With the bottom of the fuselage facing up, Secure the front and rear fuselage using the included screws (HKM3.0*10mm x 1).



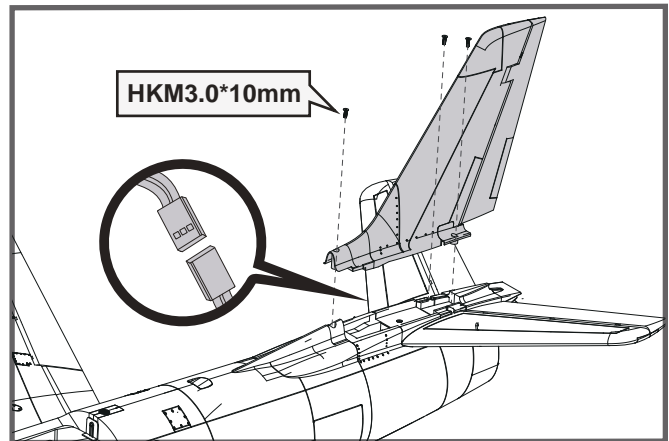
Model assembly

Vertical tail and horizontal tail installation

1. Align and connect the elevator servo plugs and LED plugs to the servo extensions located within the fuselage. Carefully insert the horizontal stabilizer to the horizontal stabilizer slot of the fuselage and secure using the included screws (HKM3.0*10mm x 1) .

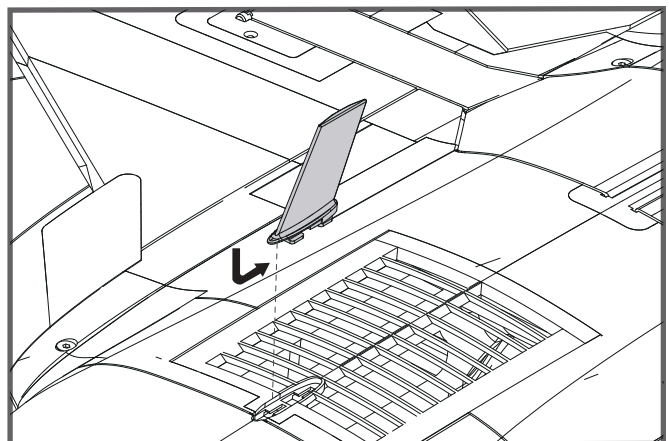


2. Align and connect the rudder servo plugs to the servo extensions located within the fuselage. Carefully insert the vertical stabilizer to the vertical stabilizer slot of the fuselage and secure it in place using the included screws (HKM3.0*10mm x 3) .



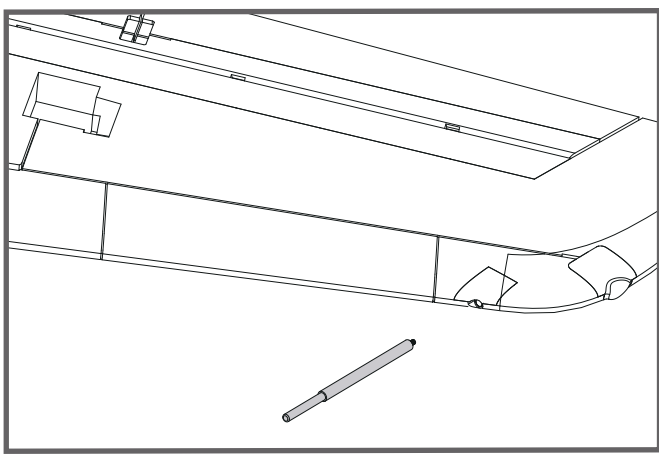
Non-functional scale parts installation

1. Insert the non-functional scale antennas into the corresponding slot at the bottom of fuselage as shown, and slide it toward the tail to lock in place.



Model assembly

2. Insert the non-functional scale airspeed head into the wingtip slot.

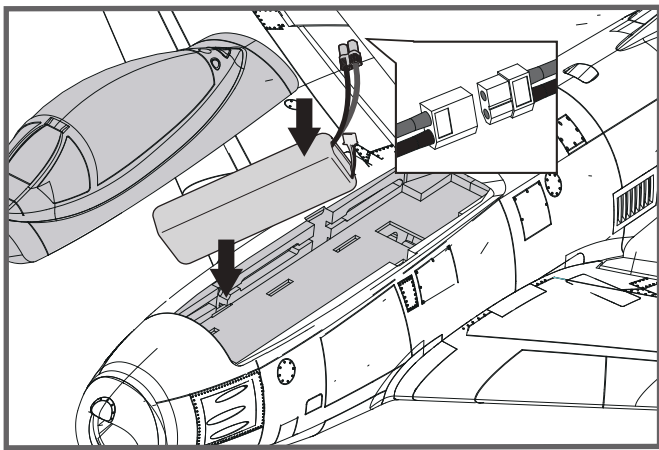


Battery installation

1. Pull back on the latch and remove the battery hatch.
2. Apply the hook tape to the cable end of the battery.
3. Slide the full charged battery into the battery compartment with the power supply cable toward the rear end of the plane.

Note: The center of gravity can be adjusted by moving the battery forward or aft. Having the correct center of gravity is critical to achieving proper flight characteristics.

Battery compartment size: 200*68*45mm



Receiver diagram

The cables from the servo connector board should be connected to your receiver in the order shown. Note that the LEDs can be powered by any spare channel on the receiver. Tuck the wire leads into the recessed cavity towards the rear of the battery hatch.

		Receiver
Gear	1	Channel-1 — Aile
Elevator	2	Channel-2 — Elev
Throttle	3	Channel-3 — Thro
Rudder	4	Channel-4 — Rudd
Gear	5	Channel-5 — Gear
Spare	6	Channel-6 — Spare

Get your model ready to fly

Important ESC and model information

1. The ESC included with the model has a safe start. If the motor battery is connected to the ESC and the throttle stick is not in the low throttle or off position, the motor will not start until the throttle stick is moved to the low throttle or off position. Once the throttle stick is moved to the low throttle or off position, the motor will emit a series of beeps. Several beeps with the same tune means the ESC has detected the cells of the battery. The count of the beeps equals the cells of the battery. The motor is now armed and will start when the throttle is moved.
2. The motor and ESC come pre-connected and the motor rotation should be correct. If for any reason the motor is rotating in the wrong direction, simply reverse two of the three motor wires to change the direction of rotation.
3. The motor has an optional brake setting. The ESC comes with brake switched off and we recommend that the model be flown with the brake off. However, the brake could be accidentally switched on if the motor battery is connected to the ESC while the throttle stick is set at full throttle. To switch the brake off, move the throttle stick to full throttle and plug in the motor battery. The motor will beep one time. Move the throttle stick to low throttle or the off position. The motor is ready to run and the brake will be switched off.
4. Battery Selection and Installation. We recommend the 22.2V 4000-5500mAh 45C Li-Po battery. If using another battery, the battery must be at least a 22.2V 4000-5500mAh 45C battery. Your battery should be approximately the same capacity, dimension and weight as the 22.2V 4000-5500mAh 45C Li-Po battery to fit the fuselage without changing the center of gravity significantly.

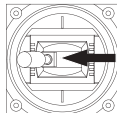
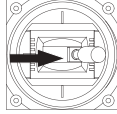
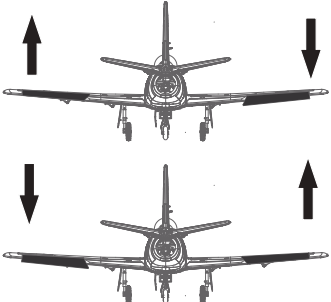
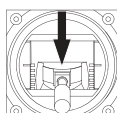
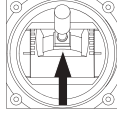
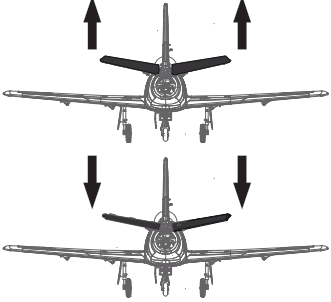
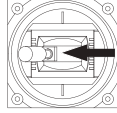
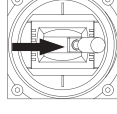
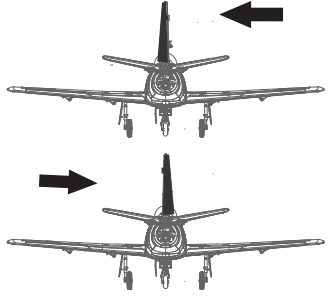
Get your model ready to fly

Transmitter and model setup

Before getting started, bind your receiver with your transmitter. Please refer to your transmitter manual for proper operation.

CAUTION: To prevent personal injury, DO NOT install the propeller assembly onto the motor shaft while testing the control surfaces. DO NOT arm the ESC and do not turn on the transmitter until the Transmitter Manual instructs you to do so.

Tips: Make sure all control sticks on your radio are in the neutral position (rudder, elevator, ailerons) and the throttle is in the OFF position. Make sure both ailerons move up and down (travel) the same amount. This model tracks well when the left and right ailerons travel the same amount in response to the control stick. Move the controls on the transmitter to make sure the aircraft control surface moves correctly. See diagrams right.

<p>Bank left</p>  <p>Bank right</p> 		<p>Aileron</p>
<p>Climb</p>  <p>Descend</p> 		<p>Elevator</p>
<p>Steer left</p>  <p>Steer right</p> 		<p>Steering Rudder</p>

Control throws

The suggested control throw setting for this airplane are as follows (dual rate setting):

Tips: On the first flight, fly the model in low rate. The first time you use high rates, be sure to fly at low to medium speeds. High rate, as listed, is only for EXTREME maneuvering.

	High Rate	Low Rate
Elevator	16mm up / down	12mm up / down
Aileron	14mm up / down	10mm up / down
Rudder	14mm left / right	10mm left / right

Control horn and servo arm settings

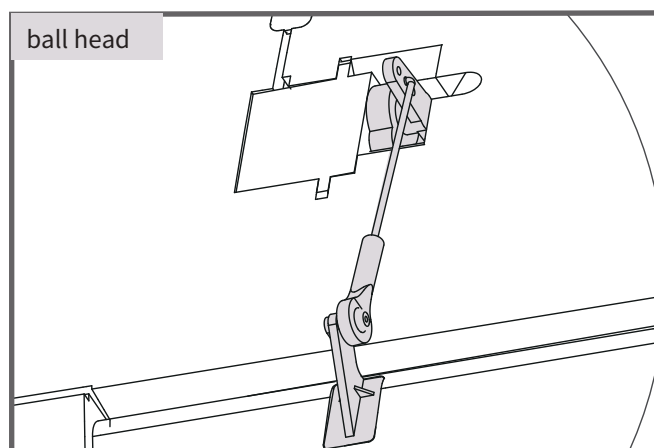
The table shows the factory settings for the control horns and servo arms. Fly the aircraft at the factory settings before making changes. After flying, you may choose to adjust the linkage positions for the desired control response.

	Horns	Arms	More control throw
Elevator			
Rudder			Less control throw
Ailerons			
Flaps			

Linkage rods installation

Before installing the main wing, horizontal tail and vertical tail, the linkage rods for ailerons, flaps, elevators and rudder should be installed in advance.

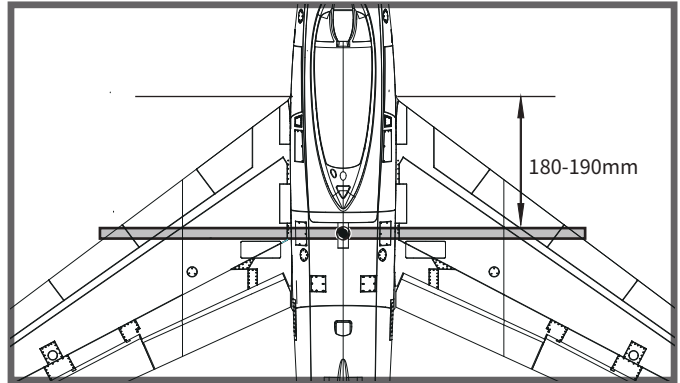
Make sure the servos are in neutral position. Attach the "Z" bend end of aileron, flap, elevator and rudder linkage rods to the corresponding holes in the aileron, flap, elevator and rudder control arms from the outside as shown (Please refer to the **control horn and servo arm settings** and **clevis installation** sections in manual). And then install the ball buckle at the other end of the linkage rods to ball head at each control horn on control surfaces.



Check the C.G. (Center of gravity)

When balancing your model, adjust the battery as necessary so the model is level or slightly nose down. This is the correct balance point for your model. After the first flight, the CG position can be adjusted for your personal preference.

1. The recommended Center of Gravity (CG) location for your model is (180-190mm) from the leading edge of the main wing (as shown) with the battery pack installed. Mark the location of the CG on top of the wing.
2. When balancing your model, support the plane at the marks made on the bottom of the main wing with your fingers or a commercially available balancing stand. This is the correct balance point for your model. Make sure the model is assembled and ready for flight before balancing.



Before flying the model

Find a suitable flying site

Find a flying site clear of buildings, trees, power lines and other obstructions. Until you know how much area will be required and have mastered flying your plane in confined spaces, choose a site which is at least the size of two to three football fields - a flying field specifically for R/C planes is best. Never fly near people - especially children, who can wander unpredictably

Perform the range check for your plane

As a precaution, an operational ground range test should be performed before the first flight each time you go out. Performing a range test is a good way to detect problems that could cause loss of control such as low batteries, defective or damaged radio components, or radio interference. This usually requires an assistant and should be done at the actual flying site you will be using.

First turn on the transmitter, then install a fully-charged battery into the fuselage. Connect the battery and install the hatch. Remember, use care not to bump the throttle stick. Otherwise, the propeller/fan will turn and possibly cause damage or injury

Note: Please refer to your Transmitter Manual that came with your radio control system to perform a ground range check. If the controls are not working correctly or if anything seems wrong, do not fly the model until you correct the problem. Make certain all the servo wires are securely connected to the receiver and the transmitter batteries have a good connection.

Monitor your flight time

Monitor and limit your flight time using a timer (such as on a wristwatch or in your transmitter if available). When the batteries are getting low you will usually notice a performance drop before the ESC cuts off motor power, so when the plane starts flying slower you should land. Often (but not always) power can be briefly restored after the motor cuts off by holding the throttle stick all the way down for a few seconds.

To avoid an unexpected dead-stick landing on your first flight, set your timer to a conservative 4 minutes. When your alarm sounds you should land right away.

Flying course

Take off

While applying power, slowly steer to keep the model straight. The model should accelerate quickly.

As the model gains flight speed you will want to climb at a steady and even rate. It will climb out at a nice angle of attack (AOA).

Flying

Always choose a wide-open space for flying your plane. It is ideal for you to fly at a sanctioned flying field. If you are not flying at an approved site always avoid flying near houses, trees, wires and buildings. You should also be careful to avoid flying in areas where there are many people, such as busy parks, schoolyards, or soccer fields. Consult laws and ordinances before choosing a location to fly your aircraft. After takeoff, gain some altitude. Climb to a safe height before trying technical manoeuvres, including high speed passes, inverted flight, loops, and point rolls.

Maintenance

Repairs to the foam should be made with foam safe adhesives such as hot glue, foam safe CA, and 5min epoxy. When parts are not repairable, see the Spare Parts List for ordering by item number.

Always check to make sure all screws on the aircraft are tightened. Pay special attention to make sure the spinner is firmly in place before every flight.

Landing

Land the model when you hear the motor pulsing (LVC) or if you notice a reduction in power. If using a transmitter with a timer, set the timer so you have enough flight time to make several landing approaches.

The model's three point landing gear allows the model to land on hard surfaces. Align model directly into the wind and fly down to the ground. Fly the airplane down to the ground using 1/4-1/3 throttle to keep enough energy for proper flare. Before the model touches down, always fully decrease the throttle to avoid damaging the propeller or other components. The key to a great landing is to manage the power and elevator all the way to the ground and set down lightly on the main landing gear. After a few flights you will find the model can be set down lightly on the mains and you can hold the nose wheel off balancing the model on the mains until it slows and gently settles the nose.

Trouble shooting

Problem	Possible Cause	Solution
Aircraft will not respond to the throttle but responds to other controls.	-ESC is not armed. -Throttle channel is reversed.	-Lower throttle stick and throttle trim to lowest settings. -Reverse throttle channel on transmitter.
Extra propeller noise or extra vibration.	-Damaged spinner, propeller, motor or motor mount. -Loose propeller and spinner parts. -Propeller installed backwards.	-Replace damaged parts. -Tighten parts for propeller adapter, propeller and spinner. -Remove and install propeller correctly.
Reduced flight time or aircraft underpowered.	-Flight battery charge is low. -propeller installed backward. -Flight battery damaged.	-Completely recharge flight battery. -Replace flight battery and follow flight battery instructions.
Control surface does not move, or is slow to respond to control inputs.	-Control surface, control horn, linkage or servo damage. -Wire damaged or connections loose.	-Replace or repair damaged parts and adjust controls. -Do a check of connections for loose wiring.
Controls reversed.	Channels are reversed in the transmitter.	Do the control direction test and adjust controls for aircraft and transmitter.
-Motor loses power -Motor power pulses then motor loses power.	-Damage to motor, or battery. -Loss of power to aircraft. -ESC uses default soft Low Voltage Cutoff(LVC).	-Do a check of batteries, transmitter, receiver, ESC, motor and wiring for damage(replace as needed). -Land aircraft immediately and recharge flight battery.
LED on receiver flashes slowly.	Power loss to receiver.	-Check connection from ESC to receiver. -Check servos for damage. -Check linkages for binding.

Spare parts list content

FMSEO101	Fuselage (for The Huff)	PRKVX2000-1	Motor 3665-KV2000
FMSEO102	Main wing set (for The Huff)	PRESC014	100A ESC
FMSEO103	Horizontal stabilizer (for The Huff)	FMSCON012	Multi-connector set
FMSEO104	Vertical Stabilizer (for The Huff)	FMSREX069	E-retract
FMSEO105	Cowl	FMSREX070	E-retract
FMSEO106	Canopy	PRSER003	Predator 13g digital metal gear servo positive with 300mm wire
FMSEO107	Wing bolt plastic set	PRSER004	Predator 13g digital metal gear servo positive with 460mm wire
FMSEO108	Wing Pipe	PRSER005	Predator 13g digital metal gear servo reverse with 460mm wire
FMSEO109	Control horn	FMSSER015	9g digital metal gear servo positive with 460mm wire
FMSEO110	Front landing gear	FMSSER016	9g digital metal gear servo reverse with 460mm wire
FMSEO111	Main landing gear	FMSEO101SB	Fuselage (for Sky Blazer)
FMSEO112	Front landing gear system	FMSEO102SB	Main wing set (for Sky Blazer)
FMSEO113	Main landing gear system	FMSEO103SB	Horizontal stabilizer (for Sky Blazer)
FMSEO114	air grill on the fuselage	FMSEO104SB	Vertical Stabilizer (for Sky Blazer)
FMSEO115	Linkage Rods	FMSEO116SB	Sticker (for Sky Blazer)
FMSEO116	Sticker (for The Huff)	FMSEO123SB	Airspeed Head (for Sky Blazer)
FMSEO117	Screw Set		
FMSEO118	Front landing gear cover		
FMSEO119	Main landing gear cover		
FMSEO120	Deceleration Hatch		
FMSEO121	Lamp cover		
FMSEO122	LED set		
FMSEO123	Airspeed Head (for The Huff)		
FMSSDX006	80mm Single Duct		

Visit our website: www.fmshobby.com to see photo of this product. Enter the key word "ESC" in the search bar for the stock ESC instruction manual.

User Manual of Brushless Speed Controller

Thanks for purchasing our Electronic Speed Controller (ESC). High power system for RC model is very dangerous, please read this manual carefully. In that we have no control over the correct use, installation, application, or maintenance of our products, no liability shall be assumed nor accepted for any damages, losses or costs resulting from the use of the product. Any claims arising from the operating, failure or malfunctioning etc. will be denied. We assume no liability for personal injury, property damage or consequential damages resulting from our product or our workmanship. As far as is legally permitted, the obligation to compensation is limited to the invoice amount of the affected product.

Specifications

Model	Cont Current	Burst Current (≤10)	BEC Mode	BEC Output	BEC Output Capability				Battery Cell		Weight	Weight L*W*H (mm)
					2S Lipo	3S Lipo	4S Lipo	6S Lipo	Lipo	NiMH		
6A	6A	8A	Linear	5V/0.8A	3servos				2S	5-6 cells	5.5	32*12*4.5
12A	12A	15A	Linear	5V/1A	3servos	2servos			2-3S	5-9 cells	9g	38*18*6
12AE	12A	15A	Linear	5V/2A	5servos	4servos			2-3S	5-9 cells	10g	38*18*7
15A	15A	20A	Linear	5V/2A	5servos	4servos			2-3S	5-9 cells	16.5g	48*22.5*6
20A	20A	25A	Linear	5V/2A	5servos	4servos			2-3S	5-9 cells	19g	42*25*8
30A	30A	40A	Linear	5V/2A	5servos	4servos			2-3S	5-9 cells	37g	68*25*8
40A	40A	55A	Linear	5V/3A	5servos	4servos			2-3S	5-9 cells	39g	68*25*8
40A-UBEC	40A	55A	Switch	5V/3A	5servos	5servos	5servos		2-4S	5-12 cells	43g	65*25*12
50A-UBEC	50A	65A	Switch	5V/5A	8servos	8servos	6servos	6servos	2-4S	5-12 cells	41g	65*29*10
60A-UBEC	60A	80A	Switch	5V/5A	8servos	8servos	6servos	6servos	2-6S	5-18 cells	63g	77*35*14
60A-UBEC	60A	80A	N/A	N/A					2-6S	5-18 cells	60g	86*38*12
80A-UBEC	80A	100A	Switch	5V/5A	8servos	8servos	6servos	6servos	2-6S	5-18 cells	82g	86*38*12
80A-UBEC	80A	100A	N/A	N/A					2-6S	5-18 cells	79g	86*38*12
80A-BEC	80A	100A	Switch	5V/7A					3-6S	5-18 cells	79g	85*36*9
80Ax2+UBE	80A	100A	Switch	5V/10A					3-6S	5-18 cells	175g	85*36*9
100A ESC	100A	120A	Switch	5V/7A					3-6S	5-18 cells	92g	85*36*9

Programmable Items (The option written in bold font is the default setting)

1. Brake Setting: Enabled / **Disabled**
2. Battery Type: **Lipo** / NiMH
3. Low Voltage Protection Mode(Cut-Off Mode): **Soft Cut-Off (Gradually reduce the output power)** /Cut-Off (Immediately stop the output power).
4. Low Voltage Protection Threshold(Cut-Off Threshold): Low / **Medium** / High
 - 1) For lithium battery, the battery cell number is calculated automatically. Low / medium / high cutoff voltage for each cell is 2.85V/3.15V/3.3V. For example: For a 3S Lipo, when "Medium" cutoff threshold is set, the cut-off voltage will be: $3.15 \times 3 = 9.45V$.
 - 2) For NiMH battery, low / medium / high cutoff voltages are 0%/50%/65% of the startup voltage (i.e. the initial voltage of battery pack), and 0% means the low voltage cut-off function is disabled. For example: For a 6 cells NiMH battery, fully charged voltage is $1.44 \times 6 = 8.64V$, when "Medium" cut-off threshold is set, the cut-off voltage will be: $8.64 \times 50\% = 4.32V$.
5. Startup Mode: **Normal** /Soft /Super-Soft (300ms / 1.5s / 3s)
 - a) Normal mode is suitable for fixed-wing aircraft. Soft or Super-soft modes are suitable for helicopters. The initial acceleration of the Soft and Super-Soft modes are slower, it takes 1.5 second for Soft startup or 3 seconds for Super-Soft startup from initial throttle advance to full throttle. If the throttle is completely closed (throttle stick moved to bottom position) and opened again (throttle stick moved to top position) within 3 seconds after the first startup, the re-startup will be temporarily changed to normal mode to get rid of the chance of a crash caused by slow throttle response. This special design is suitable for aerobatic flight when quick throttle response is needed.
6. Timing: **Low** / Medium / High, (3.75°/15°/26.25°) Usually, low timing is suitable for most motors. To get higher speed, High timing value can be chosen.

User Manual of Brushless Speed Controller

Begin To Use Your New ESC

IMPORTANT! Because different transmitter has different throttle range, please calibrate throttle range before flying.

Throttle range setting (Throttle range should be reset whenever a new transmitter is being used)

1. Switch on the transmitter, move throttle stick to the top position.
2. Connect battery pack to the ESC, and wait for about 2 seconds.
3. The "Beep-Beep-" tone should be emitted, means the top point of throttle range has been confirmed.
4. Move throttle stick to the bottom position, several "beep-" tones should be emitted to present the amount of battery cells.
5. A long "Beep-" tone should be emitted, means the lowest point of throttle range has been correctly confirmed.

Normal startup procedure

1. Move throttle stick to bottom position and then switch on transmitter.
2. Connect battery pack to ESC, special tone like "♪ 123" means power supply is OK.
3. Several "beep-" tones should be emitted to present the amount of lithium battery cells.
4. When self-test is finished, a long "beep-----" tone should be emitted.
5. Move throttle stick upwards to go flying.

Protection Function

1. Start up failure protection: If the motor fails to start within 2 seconds of throttle application, the ESC will cut-off the output power. In this case, the throttle stick **MUST** be moved to the bottom again to restart the motor. (Such a situation happens in the following cases: The connection between ESC and motor is not reliable, the propeller or the motor is blocked, the gearbox is damaged, etc.)
2. Over-heat protection: When the temperature of the ESC is over about 110 Celsius degrees, the ESC will reduce the output power.
3. Throttle signal loss protection: The ESC will reduce the output power if throttle signal is lost for 1 second, further loss for 2 seconds will cause the output to be cut-off completely.

Trouble Shooting

Trouble	Possible Reason	Action
After power on, motor does not work, no sound is emitted	After power on, motor does not work, no sound is emitted	Check the power connection. Replace the connector.
After power on, motor does not work, such an alert tone is emitted: "beep-beep-, beep-beep-,beep-beep-" (Every "beep-beep-" has a time interval of about 1 second)	Input voltage is abnormal, too high or too low	Check the voltage of battery pack
After power on, motor does not work, such an alert tone is emitted: "beep-, beep-, beep- "(Every "beep-" has a time interval of about 2 seconds)	Throttle signal is irregular	Check the receiver and transmitter Check the cable of throttle channel
After power on, motor does not work, such an alert tone is emitted: "beep-, beep-, beep- "(Every "beep-" has a time interval of about 0.25 second)	The throttle stick is not in the bottom (lowest) position	Move the throttle stick to bottom position
After power on, motor does not work, a special tone "♪56712" is emitted after 2 beep tone (beep-beep-)	Direction of the throttle channel is reversed, so the ESC has entered the program mode	Set the direction of throttle channel correctly
The motor runs in the opposite direction	The connection between ESC and the motor need to be changed	Swap any two wire connections between ESC and motor

Program the ESC with your transmitter (4 Steps)

Note: Please make sure the throttle curve is set to 0 when the throttle stick is at bottom position and 100% for the top position.

NO.1 Enter program mode

1. Switch on transmitter, move throttle stick to top position, connect the battery pack to ESC
2. Wait for 2 seconds, the motor should emit special tone like "beep-beep-"
3. Wait for another 5 seconds, special tone like "♪56712" should be emitted, which means program mode is entered.

NO.2 Select programmable items

After entering program mode, you will hear 8 tones in a loop with the following sequence. If you move the throttle stick to bottom within 3 seconds after one kind of tones, this item will be selected.

Prompt tone	Selected item
"beep"(1 short tone)	brake
"beep-beep-"(2 short tone)	battery type
"beep-beep-beep-"(3 short tone)	cutoff mode
"beep-beep-beep-beep-"(4 short tone)	cutoff threshold
"beep——"(1 long tone)	startup mode
"beep——beep-"(1 long 1 short)	timing
"beep——beep-beep-" (1 long 2 short)	set all to default
"beep——beep——"(2 long tone))	exit

Note: 1 long "beep-----" = 5 short "beep-"

NO.3 Set item value (Programmable value)

You will hear several tones in loop. Set the value matching to a tone by moving throttle stick to top when you hear the tone, then a special tone "♪1515" emits, means the value is set and saved. (Keeping the throttle stick at top, you will go back to Step 2 and you can select other items; or moving the stick to bottom within 2 seconds will exit program mode directly) .

Items	Tones		
	"beep-" 1 short tone	"beep-beep-" 2 short tones	"beep-beep-beep" 3 short tones
Brake	Off	On	
Battery type	Lipo	NiMH	
Cutoff mode	Soft-Cut	Cut-Off	
Cutoff threshold	Low	Medium	High
Start mode	Normal	Soft	Super soft
Timing	Low	Medium	High

NO.4 Exit program mode

There are 2 ways to exit program mode:

1. In step 3, after special tone " ", please move throttle stick to the bottom position within 2 seconds.
2. In step 2, after tone "beep-----beep-----"(that is: The item #8), move throttle stick to bottom within 3 seconds.

Warnhinweise



WARNUNG: Lesen Sie die GESAMTE Bedienungsanleitung, um sich vor der Inbetriebnahme mit den Funktionen des Produkts vertraut zu machen.

Wenn das Produkt nicht ordnungsgemäß bedient wird, kann dies zu Schäden am Produkt oder persönlichem Eigentum führen und schwere Verletzungen verursachen. Dieses Produkt ist kein Spielzeug! Es muss mit Vorsicht und gesundem Menschenverstand betrieben werden. Andernfalls kann es zu Verletzungen oder Schäden am Produkt oder anderen Sachwerten führen. Dieses Produkt ist nicht für den Betrieb durch Kinder ohne direkte Aufsicht von Erwachsenen vorgesehen.

Diese Anleitung enthält Hinweise zu Sicherheit und Wartung. Es ist wichtig, dass vor der Verwendung alle Anweisungen und Warnungen in der Anleitung gelesen und befolgt werden, um Schäden oder schwere Verletzungen zu vermeiden.

Sicherheitsvorkehrungen

Als Benutzer dieses Produkts sind Sie allein dafür verantwortlich dieses Produkt so zu betreiben, dass weder Sie selbst noch andere gefährdet oder Schäden am Produkt oder Eigentum anderer verursacht werden.

Dieses Modell wird von einem Funksignal gesteuert, das von vielen Quellen außerhalb Ihrer Kontrolle gestört werden kann. Solche Störungen können zu einem vorübergehenden Kontrollverlust führen. Daher sollte immer einen Sicherheitsabstand zu Personen und Gebäuden eingehalten werden.

Altersempfehlung: Nicht für Kinder unter 14 Jahren. Dies ist kein Spielzeug.

- Betreiben Sie Ihr Modell niemals mit leeren Senderbatterien.
- Betreiben Sie Ihr Modell immer in einem offenen Bereich, abseits von Gebäuden, Verkehr oder Personen.
- Befolgen Sie die gesetzlichen Regelungen Ihres Landes zum Betrieb von ferngesteuerten Modellflugzeugen.
- Befolgen Sie sorgfältig die Anweisungen und Warnungen für dieses und alle unterstützenden Geräte, die Sie verwenden (Ladegeräte, wiederaufladbare Akkus usw.).
- Bewahren Sie alle Chemikalien, Kleinteile und elektrischen Geräte außerhalb der Reichweite von Kindern auf.
- Feuchtigkeit verursacht Schäden an der Elektronik. Vermeiden Sie, dass die Produkte Wasser ausgesetzt werden, die nicht speziell für diesen Zweck entworfen und geschützt sind.
- Nehmen Sie Teile des Produkts niemals in den Mund, da dies zu schweren Verletzungen oder sogar zum Tod führen kann.

Hinweise zu LiPo-Akkus

VORSICHT: Befolgen Sie immer die Anweisungen des Herstellers zur sicheren Verwendung und Entsorgung von Batterien. Durch falsche Handhabung von Li-Po-Batterien können Feuer, Sachschäden oder schwere Verletzungen verursacht werden.

- Seien Sie sich über alle Risiken klar, die mit dem Umgang von Lithium Polymer (LiPo) Akkus verbunden sind. Wenn die Akkus zu irgendeinem Zeitpunkt anschwellen oder aufblähen, verwenden Sie diese auf keinen Fall mehr!
- Um die Lebensdauer des Akkus zu verlängern sollten dieser bei Zimmertemperatur in einem trockenen Bereich gelagert werden. Bewahren Sie den Akku oder das Modell nicht in einem Auto oder in direktem Sonnenlicht auf. Wenn der Akku über einen längeren Zeitraum zu hohen Temperaturen ausgesetzt wird kann dieser beschädigt werden oder sogar Feuer fangen.
- Verwenden Sie niemals ein NiMh-Ladegerät, um Li-Po-Akkus aufzuladen. Wenn der Akku nicht mit einem Li-Po-kompatiblen Ladegerät geladen wird, kann dies zu einem Brand führen, der zu Personen- und Sachschäden führen kann.
- Niemals Li-Po Zellen unter 3V entladen.
- Lassen Sie Akkus beim Laden niemals unbeaufsichtigt.
- Laden Sie niemals beschädigte Akkus auf.
- Aufladen des LiPo-Akkus: Verwenden Sie ein Ladegerät, das die Li-Po-Batterie sicher aufladen kann. Lesen Sie vor dem Gebrauch die Anweisungen des Ladegeräts sorgfältig durch. Achten Sie beim Laden des Akkus darauf, dass sich der Akku auf einer hitzebeständigen Oberfläche befindet. Es wird auch dringend empfohlen, den Li-Po Akku in einem feuerbeständigen LiPo-Koffer zu laden. LiPo Koffer finden Sie bei Ihrem Fachhändler oder im Internet.

Einleitung

Hintergrund

Nach dem Ende des Zweiten Weltkriegs brachten die Vereinigten Staaten und die Sowjetunion Luftfahrtexperten, Daten und Ausrüstung aus Deutschland zurück, um ihre eigenen Düsenjäger zu entwickeln. Der F-86-Kampffjet mit dem Spitznamen "Sabre" war ein von den USA entwickelter Düsenjäger. Es war das Düsenjagdflugzeug der ersten Generation, der bei der U.S. Air Force im Einsatz war für Luft-Luft-Kämpfe, Abfang- und Bombeneinsätze. Es war auch das erste Kampfflugzeug der Welt, das mit Luft-Luft-Raketen ausgerüstet war und das erste US-amerikanische Kampfflugzeug mit Schleudersitz.

FMS-Modell

Aufbauend auf ihrer umfangreichen Erfahrung in der Entwicklung von ferngesteuerten Modellflugzeugen hat FMS erhebliche Anstrengungen unternommen, um die legendäre und klassische F-86 "Sabre" mit dem Produktstandard "Perfektes Aussehen, hervorragende Leistung" zu versehen. Das Modell hat zahlreiche Details, wie z.B. funktionsfähige Fahrwerksklappen, einziehbares CNC-gefrästes Fahrwerk, bewegliche Bremsklappen, Navigationslichter (links rot, rechts grün), Navigationslichter (eines rot, eines weiß) und Landescheinwerfer (weiß).

Acht 13g Digitalservos mit Metallgetriebe steuern präzise die Querruder, Landeklappen, Seiten- und Höhenruder, um die Manövrierfähigkeit eines Kampfflugzeugs zu simulieren. Drei 9g Servos steuern die Bremsklappen, die den Luftwiderstand erhöhen und die Geschwindigkeit des Flugzeugs verringern und die Betätigung der vorderen Fahrwerksklappe, die in Verbindung mit dem Sequenzer das verzögerte Öffnen und Schließen simuliert.

Die PNP Version umfasst einen 12-blättrigen 80-mm Impeller mit einen leistungsstarken bürstenlosen 3665-KV2000-Inrun-

ner-Motor und einen 100A brushless Regler (mit einem 5A Switch-Mode BEC), der für 6S 4000-5500mAh LiPo-Akku ausgelegt ist (Lipo Akku ist nicht im Lieferumfang enthalten). Dieser Antrieb bietet eine hervorragende Leistung, längere Flugzeiten und ein realistischeres, turbinenähnliches Geräusch.

Außerdem sind wichtige Bereiche des "Sabre"-Modells, wie Rumpf, Tragflächen und Leitwerk, mit mehreren eingebetteten Verstärkungsrohren und Verstärkungsplatten verstärkt, die die strukturelle Festigkeit bei extremen Flugmanövern gewährleisten.

Die zweiteilige Bauweise des Rumpfes reduziert die Verpackungsgröße um dreißig Prozent und erleichtert den Transport und die Lagerung. Das Modell ist in zwei klassischen Designs erhältlich, "THE HUFF" und "SKY-BLAZERS", die sowohl bei klarem oder bedecktem Himmel leicht zu erkennen sind.

Merkmale:

1. elektronische Konfiguration: 80mm 12-Blatt Impeller 3665-KV2000 Brushless-Motor, leistungsstarker 100A ESC, 8x 13g Digitalservos mit Metallgetriebe, 3x 9g Servos.
2. realistischen Details, wie z.B. funktionsfähige Fahrwerksklappen, einziehbares CNC-gefrästes Fahrwerk, bewegliche Bremsklappen, Navigationslichter, Landescheinwerfer, Kraftstofftanks, maßstabsgerechter Cockpit-Innenraum, usw.
3. CNC-gefrästes, stoßgedämpftes Ganzmetallfahrwerk das harte Landungen wirksam abfängt.
4. zweiteiliger Rumpf, die die Verpackungsgröße um dreißig Prozent reduziert.
5. realistische Lackierung auf Wasserbasis, die ein hochwertiges Erscheinungsbild bietet.

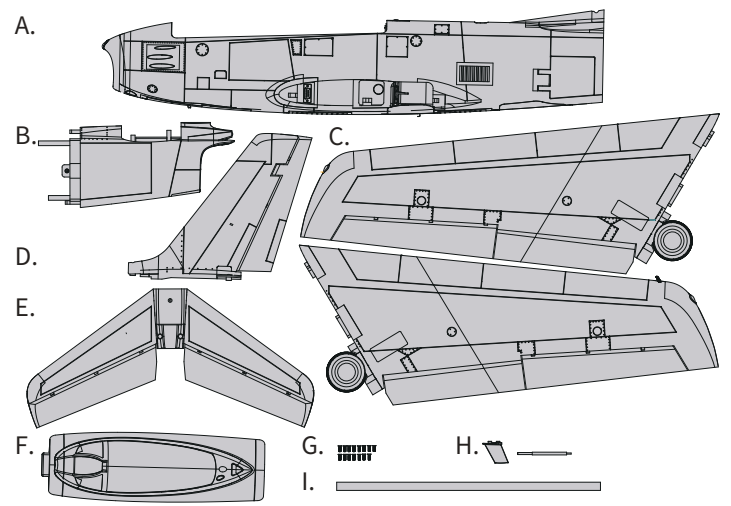
Lieferumfang

Bitte überprüfen Sie vor der Endmontage ob alle Teile des Modells enthalten sind. Das folgende Bild zeigt den Inhalt des Kits.

Sollten Teile fehlen notieren Sie sich bitte den Namen und die Teilenummer (siehe Ersatzteilliste am Ende dieser Bauanleitung) und kontaktieren Sie Ihren lokalen Händler oder senden Sie uns eine E-Mail an info@d-power-modellbau.com.

Technische Daten

Spannweite: 1220mm /48in
Länge: 1165mm /46in
Fluggewicht: ~ 3050g
Motor: 3665-KV2000
Flächenbelastung: 95.3 g/dm ² (0.18oz/in ²)
Flächeninhalt: 32dm ² (495.8 sq.in)
Regler: 100A
Servo: 13g*8, 9g*3
Empfohlener Akku: 22.2V 4000mAh-5500mAh 45c

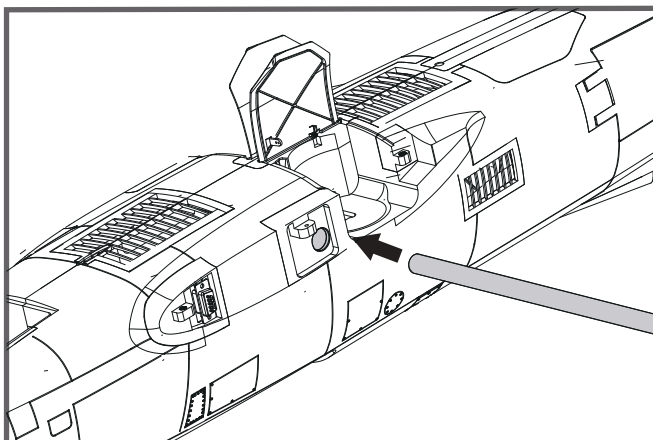


- A. Vorderer Rumpf
- B. Hinterer Rumpf
- C. Tragflächenhälften
- D. Seitenleitwerk
- E. Höhenleitwerk
- F. Cockpit
- G. Schraubensatz (HKM3.0*10mm x 13)
- H. Antenne und Flugeschwindigkeitssensor
- I. Flächenverbinder

Montage des Modells

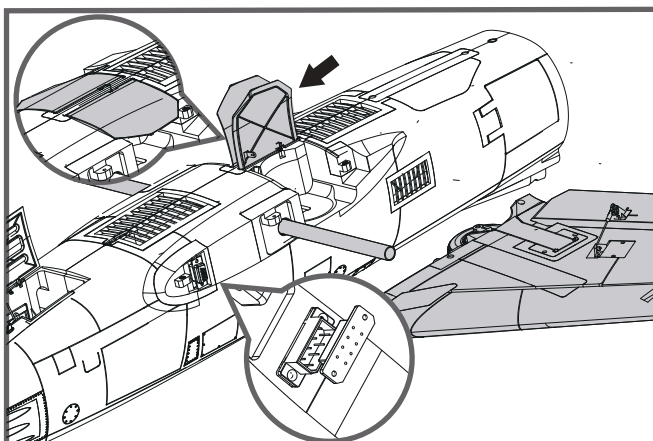
Montage der Tragflächen

1) Richten Sie den Flächenverbinder aus und schieben Sie ihn in den Rumpf.

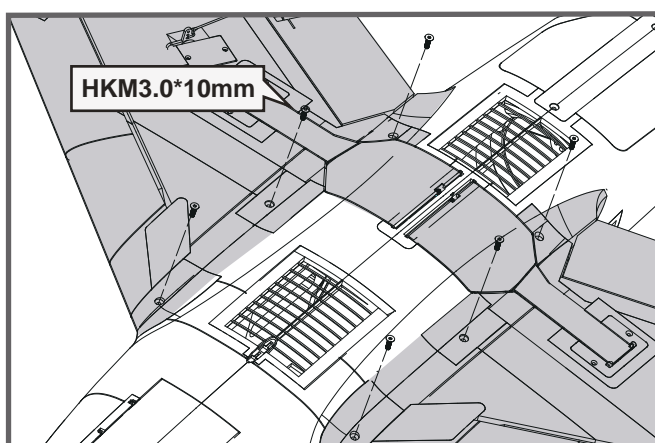


2. Drücken Sie die linke und rechte Türabdeckung nach unten (d. h. in die geschlossene Position) und befestigen Sie die linke und rechte Tragfläche mit Fahrwerk am Rumpf.

HINWEIS: Die Steckverbindungen müssen auf beiden Seiten fest eingesteckt sein.



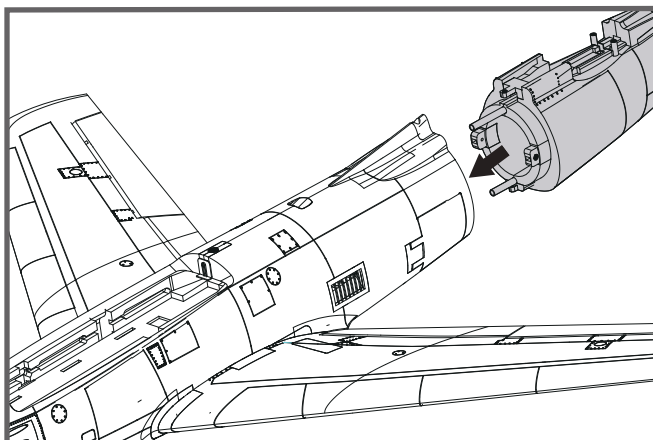
3. Beide Flügelhälften mit den mitgelieferten Schrauben (HKM3.0*10mm x 6) wie abgebildet am Rumpf befestigen.



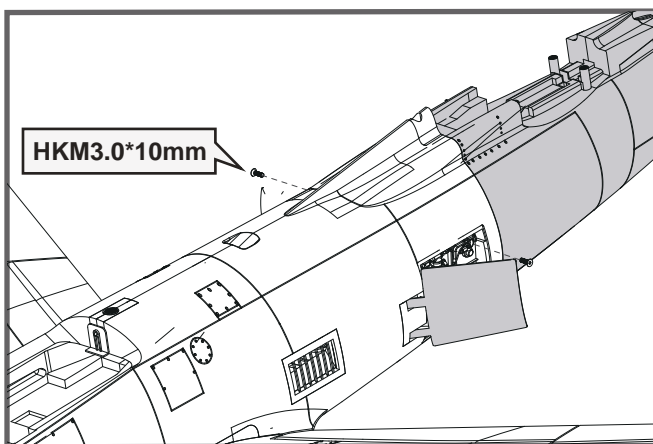
Montage des Modells

Montage des hinteren Rumpfes

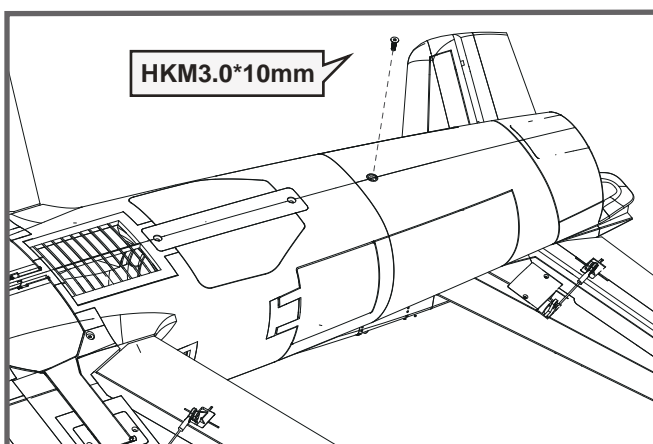
1. Den hinteren Rumpf an der Rückseite des vorderen Rumpfes ausrichten und wie abgebildet in die entsprechenden Aufnahmen stecken.



2. Die Klappe an der vorderen Rumpfseite öffnen um die Rumpfhälften mit den Schrauben (HKM3.0*10mm) zu befestigen.



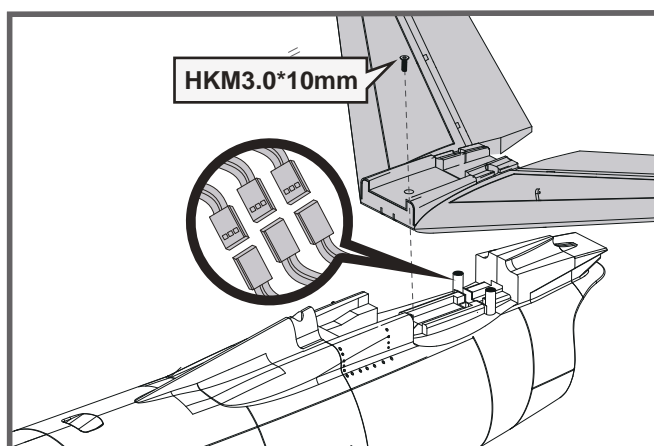
3. Mit der Schraube (HKM3.0*10mm x 1) werden die beiden Rumpfhälften auf der Rumpfunterseite befestigt.



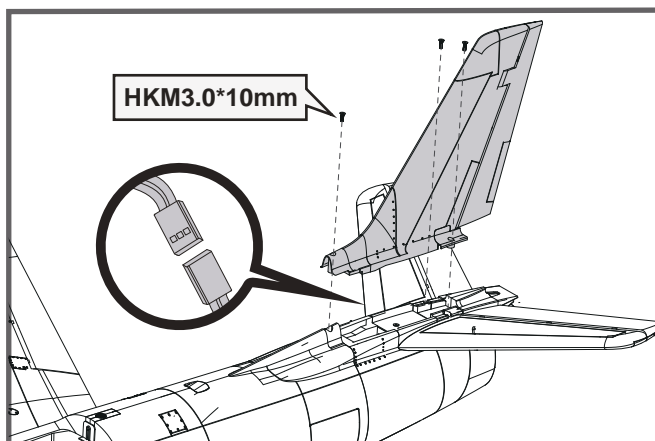
Montage des Modells

Montage der Heckleitwerke

1. Die Höhenruderservos mit den entsprechenden Servoverlängerungskabeln im Rumpf verbinden. Vorsichtig das Höhenleitwerk in die Aufnahme am Rumpf stecken und mit der Schraube HKM3.0*10mm befestigen.

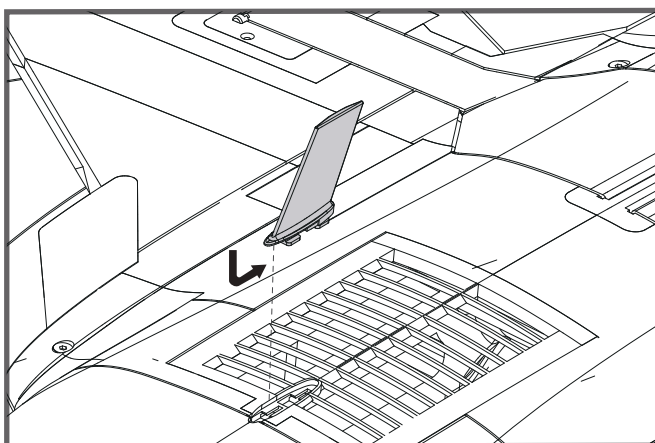


2. Die Seitenruderservo mit den entsprechenden Servoverlängerungskabeln im Rumpf verbinden. Vorsichtig das Seitenleitwerk in die Aufnahme am Rumpf stecken und mit den 3 Schraube HKM3.0*10mm befestigen.



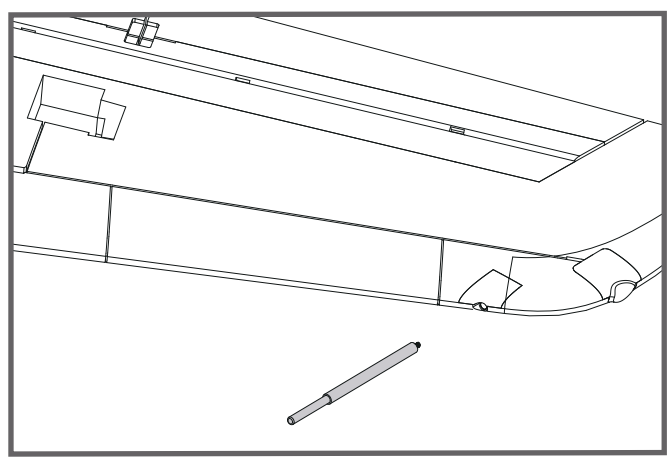
Installation der vorbildgetreuen Anbauteile

1. Die nicht funktionsfähige, vorbildgetreue Antenne wie abgebildet in den Schlitz auf der Rumpfunterseite einstecken und in Richtung Heck schieben bis sie einrastet.



Montage des Modells

2. Den nicht funktionsfähigen, vorbildgetreuen Fluggeschwindigkeitssensor wie abgebildet in die entsprechende Aufnahme an der Tragflächenspitze stecken.

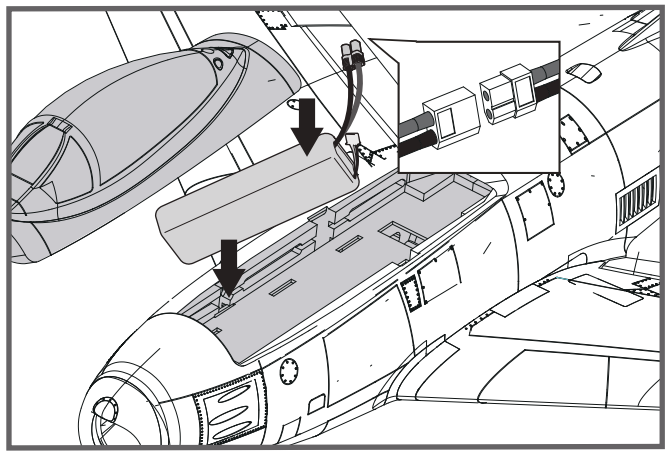


Einstezen des Akkus

1. Nehmen Sie die Haube ab.
2. Befestigen Sie den Akku mit dem Klettband.
3. Schieben Sie den geladenen Akku mit den Kabeln nach hinten in bis ganz nach vorne im Akkufach.

Hinweis: Der Schwerpunkt des Modells kann durch verschieben des Akkus verändert werden. Der korrekte Schwerpunkt hat Auswirkungen auf die Flugperformance.

Taille du compartiment à piles: 200*68*45mm



Anschließen an den Empfänger

Die Kabel von der Servosteckerleiste sollten in der dargestellten Reihenfolge an Ihren Empfänger angeschlossen werden. Beachten Sie, dass die LEDs von jedem freien Kanal des Empfängers gespeist werden können. Stecken Sie die Kabel in die Aussparung an der Rückseite der Batterieklappe.

HINWEIS: Bei Flugzeugen, die mit Wölbklappen ausgerüstet sind, schließen Sie bitte die Wölbklappenservos an CH6 an. Die LED-Leuchten können in jeden freien Kanal eingesteckt werden.

		Receiver
Aileron	1	Channel-1 — Aile
Elevator	2	Channel-2 — Elev
Throttle	3	Channel-3 — Thro
Rudder	4	Channel-4 — Rudd
Gear	5	Channel-5 — Gear
Flap	6	Channel-6 — Flap

Flugvorbereitungen

Wichtige Informationen zum Regler

1. Der eingebaute Regler ist mit einer Sicherheitsschaltung versehen. Sollte der Akku angeschlossen sein und der Gashebel nicht auf niedrig / Motor aus stehen, wird der Motor nicht starten. Wird der Gashebel ganz nach unten bewegt erzeugt der Regler eine Tonserie. Töne in der gleichen Höhe geben die Anzahl der Zellen an die der Regler gezählt hat. Diese ist gleich mit der Zellenanzahl des Akkus. Der Regler ist jetzt scharf geschaltet und startet den Motor wenn der Gashebel bewegt wird.
2. Motor und Regler sind bereits verkabelt und auch die Drehrichtung des Motors sollte korrekt sein. Sollte der Motor in die falsche Richtung drehen, tauschen Sie zwei der drei Motoranschlusskabel um die Richtung wieder zu ändern.
3. Der Regler ist mit einer optionalen Bremse ausgestattet. Wir empfehlen das Modell mit der deaktivierten Bremse zu fliegen. Es ist möglich die Bremse versehentlich zu aktivieren wenn der Akku mit dem Regler verbunden wird und der Gashebel auf Vollgas steht. Um die Bremse wieder auszuschalten gehen Sie mit dem Gashebel wieder auf Vollgas und verbinden den Akku. Vom Motor ertönt ein Piepton. Bewegen Sie den Gashebel auf Leerlauf oder Motor aus. Der Motor ist dann betriebsbereit und die Bremse ausgeschaltet.
4. Akkuauswahl und Einbau: Wir empfehlen einen Lipo Akku mit 22.2V 4000-5500mAh 45C. Sollten Sie einen anderen Akku verwenden muß dieser mindestens die gleichen Spezifikationen in Leistung und Abmessung aufweisen. damit der Schwerpunkt nicht wesentlich geändert wird.

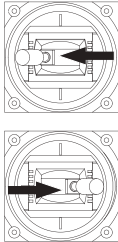
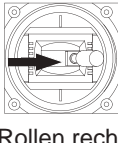
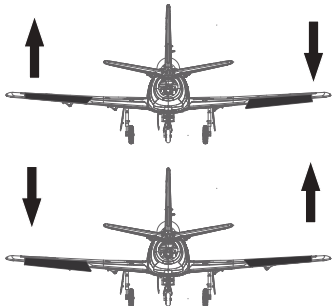
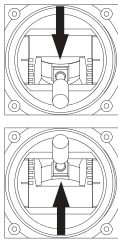

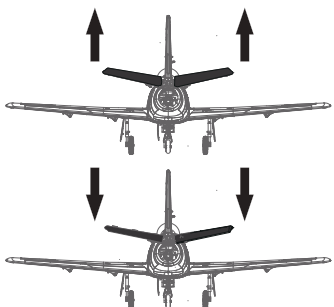
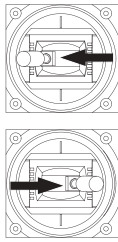

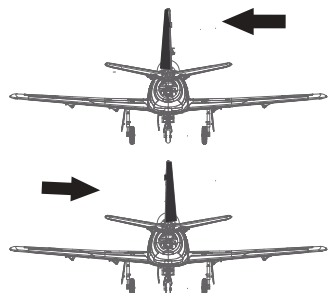
Testen der Steuerfunktionen

Bevor Sie mit diesem Schritt beginnen, binden Sie bitte der Anleitung ihres Senders entsprechend den Empfänger mit dem Sender.

ACHTUNG: Um mögliche Verletzungen zu vermeiden darf der Propeller bei dem Testen der Ruder NICHT auf der Welle montiert sein. Armieren Sie den Regler NICHT und schalten auch nicht den Sender ein bevor es in der Anleitung des Senders vorgeben wird.

TIPP: Stellen Sie sicher, dass alle Steuerhebel auf dem Sender auf der neutralen Position sind und der Gashebel auf Motor aus. Stellen Sie sicher, dass beide Querruder den gleichen Weg im Verhältnis zum Steuerknüppelausschlag ausschlagen.

Bewegen Sie die Steuerhebel des Sender um sicher zu stellen, dass sich die Ruder korrekt bewegen. Sehen Sie dazu die Abbildungen unten. Sollten die Ruder in die falsche Richtung arbeiten reversieren Sie die Funktion. Lesen Sie dazu bitte in der Anleitung des Sender nach.

<p>Rollen links</p>  <p>Rollen rechts</p> 		<p>Querruder</p>
<p>Steigen</p>  <p>Sinken</p> 		<p>Höherruder</p>
<p>Gieren links</p>  <p>Gieren rechts</p> 		<p>Seitenruder</p>

Ruderausschläge

Die empfohlenen Ruderausschlag-Einstellungen sind (Dual Rate):

Tipp: Fliegen Sie das Modell beim ersten Flug mit "normalen Ausschlägen". Wenn Sie zum ersten Mal "maximale Ausschläge" verwenden, sollten Sie bei niedrigen bis mittleren Geschwindigkeiten fliegen.

	Maximale Ausschläge	Normale Ausschläge
Höhenruder	16mm oben / unten	12mm oben / unten
Querruder	14mm oben / unten	10mm oben / unten
Seitenruder	14mm links / rechts	10mm links / rechts

Ruderhorn- und Servoarm-Einstellungen

Die Tabelle zeigt die Werkseinstellungen für die Ruderhörner und Servoarme. Fliegen Sie das Flugzeug mit den Werkseinstellungen, bevor Sie Änderungen vornehmen. Nach dem Flug können Sie die Einstellungen nach Ihren Wünschen anpassen.

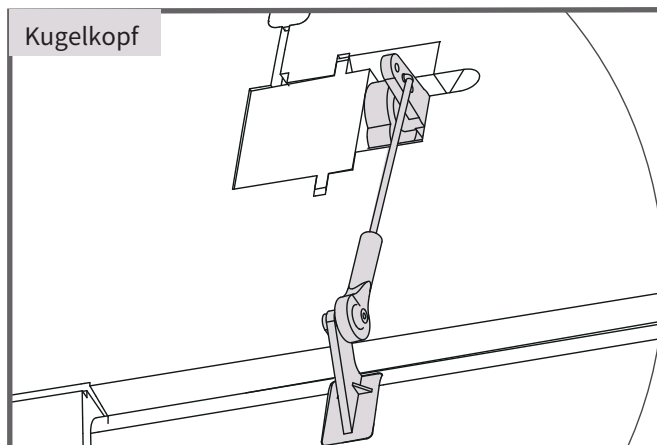
	Ruderhorn	Servoarm	Mehr Ruderausschlag
Höhenruder			
Seitenruder			
Querruder			
Klappen			

Weniger Ruderausschlag	

Montage der Anlenkungen

Vor der Montage von Haupttragfläche, Höhen- und Seitenleitwerk werden die Gestänge für Querruder, Wölbklappen, Höhenruder und Seitenruder eingebaut.

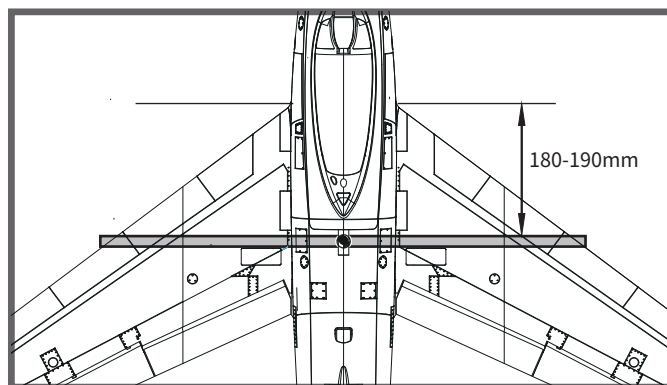
Stellen Sie sicher, dass die Servos in Neutralstellung sind. Befestigen Sie das Anlenkungsstangen für Querruder, Wölbklappen, Höhenruder und Seitenruder an den entsprechenden Löchern in den Querruder-, Wölbklappen-, Höhenruder- und Seitenruderanlenkgestänge von außen wie abgebildet. (Bitte beachten Sie die Abschnitte zur Einstellung der Ruderhörner und Servoarme in der Anleitung). Installieren Sie dann das andere Ende der Anlenkungsstangen am Kugelkopf am Ruderhorn.



Einstellen des Schwerpunkts

Setzen Sie zum Ausbalancieren des Schwerpunktes den Antriebsakku ein. Richten Sie den Akku so aus, dass das Modell gerade oder mit der Nase leicht nach unten zeigt. Nach den ersten Flügen können Sie dann den Schwerpunkt nach ihren persönlichen Vorlieben einrichten.

1. Der empfohlene Schwerpunkt für das Modell befindet sich mit eingesetztem Akku 180-190mm von der Tragflächen vorderkante nach hinten gemessen. Markieren Sie den Schwerpunkt auf der Tragflächenoberseite.
2. Balancieren Sie das Modell auf einer Schwerpunktwage aus. Bitte beachten Sie dass das Modell dabei flugfertig ausgerüstet sein muss.



Vor dem Erstflug

Finden Sie einen geeigneten Flugplatz

Finden Sie einen Flugplatz frei von Gebäuden, Bäumen, Stromleitungen und anderen Hindernissen. Bis Sie wissen, wie viel Fläche Sie zum fliegen brauchen, wählen Sie einen Platz der mindestens die Größe von 2 bis 3 Fussballfeldern hat. Wählen Sie am besten einen RC Flugplatz eines Modellflugvereins. Fliegen Sie dabei niemals in der Nähe von Menschen - besonders von Kindern, die unvorhersehbar handeln könnten.

Führen Sie einen Reichweitentest für Ihr Modell durch

Als Vorsichtsmaßnahme sollte vor jedem Flug ein Reichweitentest durchgeführt werden, um Probleme zu erkennen, die zu einem Verlust der Kontrolle führen könnten (z.B. schwache Batterien, defekte oder beschädigte Fernsteuerungskomponenten, Funkstörungen). Dies erfordert einen Kollegen oder Assistenten. Schalten Sie zuerst den Sender ein und schließen Sie einen vollgeladenen Akku im Modell an. Achten Sie darauf dass sich der Gasknüppel in Neutralstellung befindet. Andernfalls könnten Propeller oder Lüfter Schäden oder Verletzungen verursachen.

Hinweis: Lesen Sie zum Reichweitentest auch die Bedienungsanleitung Ihrer Fernsteuerung.

Überwachen Sie Ihre Flugzeit

Als Vorsichtsmaßnahme sollte vor jedem Flug ein Reichweitentest durchgeführt werden, um Probleme zu erkennen, die zu einem Verlust der Kontrolle führen könnten (z.B. schwache Batterien, defekte oder beschädigte Fernsteuerungskomponenten, Funkstörungen). Dies erfordert einen Kollegen oder Assistenten.

Schalten Sie zuerst den Sender ein und schließen Sie einen vollgeladenen Akku im Modell an. Achten Sie darauf dass sich der Gasknüppel in Neutralstellung befindet. Andernfalls könnten Propeller oder Lüfter Schäden oder Verletzungen verursachen.

Fluggrundlagen

Starten

Beschleunigen Sie das Modell vorsichtig und steuern Sie es langsam um es gerade zu halten. Erhöhen Sie die Beschleunigung und halten Sie eine gleichmäßige Geschwindigkeit um das Modell in einem schönen Anstellwinkel in die Luft steigen zu lassen.

Fliegen

Wählen Sie immer einen weiten und offenen Platz um das Modell zu fliegen. Besuchen Sie einen RC Flugplatz eines Modellflugvereins. Fliegen Sie auf keinen Fall an Orten, an denen der Betrieb eines ferngesteuerten Flugzeugs nicht zulässig ist (Flughäfen, Naturschutzgebiete, Siedlungen, ...). Nach dem Start bringen Sie Ihr Modell auf eine sichere Flughöhe, bevor Sie Flugmanöver wie Rollen, Loopings oder ähnliches ausprobieren.

Landen

Landen Sie das Modell, sobald Sie eine Leistungsreduzierung bemerken oder Ihr eingestellter Timer ertönt. Stellen Sie Ihren Timer so ein, dass Ihnen genug Flugzeit bleibt, um mehrere Landeanflüge zu haben. Ist das Modell mit einem Fahrwerk ausgestattet können Sie auf harten Pisten landen. Richten Sie das Modell direkt gegen den Wind aus und setzen Sie mit 1/4 bis 1/3 Gas zur Landung an. Bevor das Modell aufsetzt sollte der Gasknüppel in der 0-Stellung stehen um Schäden am Propeller oder anderen Komponenten zu vermeiden.

Instandhaltung

Reparaturen am Schaummodell sollten mit schaumsicheren Klebstoffen wie Heißkleber, Sekundenkleber speziell für Schaumstoff oder 5.min Epoxy erfolgen. Wenn Teile nicht reparierbar sind finden Sie am Ende dieser Anleitung die Ersatzteilliste mit allen Bestellnummern. Überprüfen Sie vor und nach jedem Flug ob alle Schrauben am Modell festgezogen sind. Achten Sie insbesondere darauf, dass Spinner und Luftschraube vor jedem Flug fest sitzen und frei drehen.

Problemlösungen

Problem	Mögliche Ursache	Lösung
Modell nimmt kein Gas an, andere Steuerungsbefehle funktionieren aber	-Regler reagiert nicht -Gaskanal ist umgekehrt	-Gasknüppel ist nicht ganz unten oder Trimmung zu hoch -Gaskanal am Sender umkehren
Ungewöhnliche Propellergeräusche oder Vibrationen	-Spinner, Propeller, Motor oder Motorhalterung defekt -Spinner oder Propeller lose -Propeller falsch herum montiert	-Defekte Teile austauschen -Lose Teile befestigen -Propeller richtig montieren
Zu kurze Flugdauer oder Antrieb ist nicht kraftvoll genug	- Flugakku ist zu leer - Propeller falsch herum montiert - Flugakku defekt	- Vollständiges Aufladen des Flugakkus - Flugakku ersetzen
Ruder bewegen sich nicht oder reagieren nur langsam auf Steuerbefehle	- Ruder, Ruderhörner, Anlenkung oder Servo beschädigt - Kabel beschädigt oder Servostecker lose	- Austauschen oder Reparieren der defekten Teile - Kabel und Stecker überprüfen
Ruder schlagen in die falsche Richtung aus	Kanäle auf dem Sender sind umgekehrt	Testen der Servowegeinstellungen und Konfiguration der Kanäle am Sender
- Motor verliert Leistung	- Motor oder Akku defekt - Stromzufuhr unterbrochen	- Akku, Empfänger, Regler, Motor und Verkabelung überprüfen (austauschen bei Defekt) - Modell unverzüglich landen und überprüfen
LED am Empfänger blinkt langsam	Empfänger hat keinen Strom	- Überprüfen der Verbindung zwischen Regler und Empfänger. - Servos auf Defekt überprüfen. - Überprüfen ob der Empfänger korrekt mit dem Sender gebunden ist

Ersatzteilliste

FMSEO101	Rumpf (für Huff)	PRKVX2000-1	Motor 3665-KV2000
FMSEO102	Tragflächenhälften (für Huff)	PRESC014	100A ESC
FMSEO103	Höhenleitwerk (für Huff)	FMSCON012	Multi-Steckerset
FMSEO104	Seitenleitwerk (für Huff)	FMSREX069	E-Fahrwerksmechanik
FMSEO105	Motorhaube	FMSREX070	E-Fahrwerksmechanik
FMSEO106	Kabinenhaube	PRSER003	Predator 13g digitales Metallgetriebe-Servo positiv mit 300mm Kabel
FMSEO107	Tragflächenbolzen Plastiksatz	PRSER004	Predator 13g digitales Metallgetriebe-Servo positiv mit 460mm Kabel
FMSEO108	Flächenverbinder	PRSER005	Predator 13g digitales Metallgetriebe-Servo negativ mit 460mm Kabel
FMSEO109	Steuerhorn	FMSSER015	9g digitales Metallgetriebe-Servo positiv mit 460mm Kabel
FMSEO110	Vorderes Fahrwerk	FMSSER016	9g digitales Metallgetriebe-Servo rückwärts mit 460-mm Kabel
FMSEO111	Hauptfahrwerk	FMSEO101SB	Rumpf (für Sky Blazer)
FMSEO112	Vorderes Fahrwerkssystem	FMSEO102SB	Tragflächenhälften (für Sky Blazer)
FMSEO113	Hauptfahrwerkssystem	FMSEO103SB	Höhenleitwerk (für Sky Blazer)
FMSEO114	Luftgitter am Rumpf	FMSEO104SB	Seitenleitwerk (für Sky Blazer)
FMSEO115	Anlenkungsstangen	FMSEO116SB	Aufkleber (für Sky Blazer)
FMSEO116	Aufkleber (für Huff)	FMSEO123SB	Fluggeschwindigkeitssensor (für Sky Blazer)
FMSEO117	Schraubensatz		
FMSEO118	Vordere Fahrwerksabdeckung		
FMSEO119	Hauptfahrwerksabdeckung		
FMSEO120	Abbremsklappe		
FMSEO121	Lampenabdeckung		
FMSEO122	LED-Satz		
FMSEO123	Fluggeschwindigkeitssensor (für Huff)		
FMSSDX006	80mm Impeller		

Visitez notre site internet pour voir les photos de ces produits : www.fmsmodel.com

Saisissez le mot "ESC" dans la case de recherche pour obtenir le manuel d'utilisation du contrôleur.

Anleitung des Brushless Reglers

Vielen Dank für den Kauf unseres Brushless Reglers (ESC). Hochleistungssysteme für RC-Modelle sind sehr gefährlich, lesen Sie bitte diese Anleitung sorgfältig durch. Insofern haben wir keine Kontrolle über die korrekte Verwendung, Installation, Anwendung oder Wartung unserer Produkte. Für Schäden, Verluste oder Kosten, die durch die Verwendung des Produkts entstehen, wird keine Haftung übernommen. Das Auftreten von Betriebsstörungen, Ausfällen, Fehlfunktionen usw. wird abgelehnt. Wir übernehmen keine Haftung für Personen- und Sachschäden. Schäden oder Folgeschäden, die auf unser Produkt oder unsere Verarbeitung zurückzuführen sind, werden soweit gesetzlich zulässig von uns übernommen. Der Schadensersatz ist auf den Rechnungsbetrag des betroffenen Produktes begrenzt.

Technische Daten

Model	Cont Current	Burst Current (≤10)	BEC Mode	BEC Output	BEC Output Capability				Battery Cell		Weight	Weight
					2S Lipo	3S Lipo	4S Lipo	6S Lipo	Lipo	NiMH		L*W*H (mm)
6A	6A	8A	Linear	5V/0.8A	3servos				2S	5-6 cells	5.5	32*12*4.5
12A	12A	15A	Linear	5V/1A	3servos	2servos			2-3S	5-9 cells	9g	38*18*6
12AE	12A	15A	Linear	5V/2A	5servos	4servos			2-3S	5-9 cells	10g	38*18*7
15A	15A	20A	Linear	5V/2A	5servos	4servos			2-3S	5-9 cells	16.5g	48*22.5*6
20A	20A	25A	Linear	5V/2A	5servos	4servos			2-3S	5-9 cells	19g	42*25*8
30A	30A	40A	Linear	5V/2A	5servos	4servos			2-3S	5-9 cells	37g	68*25*8
40A	40A	55A	Linear	5V/3A	5servos	4servos			2-3S	5-9 cells	39g	68*25*8
40A-UBEC	40A	55A	Switch	5V/3A	5servos	5servos	5servos		2-4S	5-12 cells	43g	65*25*12
50A-UBEC	50A	65A	Switch	5V/5A	8servos	8servos	6servos	6servos	2-4S	5-12 cells	41g	65*29*10
60A-UBEC	60A	80A	Switch	5V/5A	8servos	8servos	6servos	6servos	2-6S	5-18 cells	63g	77*35*14
60A-UBEC	60A	80A	N/A	N/A					2-6S	5-18 cells	60g	86*38*12
80A-UBEC	80A	100A	Switch	5V/5A	8servos	8servos	6servos	6servos	2-6S	5-18 cells	82g	86*38*12
80A-UBEC	80A	100A	N/A	N/A					2-6S	5-18 cells	79g	86*38*12
80A ESC	80A	100A	Switch	5V/7A					3-6S	5-18 cells	79g	85*36*9
80Ax2+UBEC	80A	100A	Switch	5V/10A					3-6S	5-18 cells	175g	85*36*9
100A ESC	100A	100A	Switch	5V/7A					3-6S	5-18 cells	92g	85*36*9

Programmierbare Elemente (Die in Fettdruck geschriebene Option ist die Standardeinstellung)

1. Bremseinstellung: Aktiviert / Deaktiviert
2. Batterietyp: Lipo / NiMH
3. Abschaltmodus: Weiche Abschaltung / Soft-Cut (Verringern Sie allmählich die Ausgangsleistung) / Abschaltung / Cut-Off (Stoppen Sie sofort die Ausgangsleistung).
4. Abschaltspannung: Niedrig / Mittel / Hoch
 - 1) Bei Lithiumbatterien wird die Zellenzahl automatisch berechnet. Die niedrige / mittlere / hohe Abschaltspannung für jede Zelle beträgt: 2,85 V / 3,15 V / 3,3 V. Beispiel: Bei einem 3S Lipo beträgt die Abschaltspannung bei Einstellung der Abschaltsschwelle "Mittel": $3,15 * 3 = 9,45$ V.
 - 2) Bei NiMH-Batterien betragen niedrige / mittlere / hohe Abschaltspannungen 0% / 50% / 65% der Startspannung (d. H. Der Anfangsspannung vom Akku) 0% bedeutet, dass die Niederspannungsabschaltung deaktiviert ist. Zum Beispiel: Für einen vollen geladenen 6-Zellen-NiMH-Akku, beträgt die Spannung $1,44 * 6 = 8,64$ V, wenn die Abschaltsschwelle "Mittel" eingestellt ist, beträgt die Abschaltspannung: $8,64 * 50\% = 4,32$ V.
5. Startmodus: Normal / Weich / Super-Weich (300 ms / 1,5 s / 3 s)
 - a) Der Normalmodus ist für Flächenmodelle geeignet. Soft- oder Super-Soft-Modi eignen sich für Hubschrauber. Die anfängliche Beschleunigung von dem Soft- und Super-Soft-Modus sind langsamer. Der Soft-Start dauert 1,5 Sekunden, der Super-Soft-Start 3 Sekunden ausgehend von der Gasknüppelstellung Motor AUS bis Vollgas. Wenn die Drosselklappe vollständig geschlossen ist (Gashebel unten) und wieder geöffnet wird (Gasknüppel nach oben bewegt) Innerhalb von 3 Sekunden nach dem ersten Start wird der Neustart vorübergehend auf Normal Modus geändert, um die Gefahr eines Absturzes durch langsame Gasannahme auszuschließen. Diese spezielle Einstellung ist für Kunstflug geeignet wenn eine schnelle Gasannahme erforderlich ist.
6. Motor Timing: Niedrig / Mittel / Hoch (3,75 ° / 15 ° / 26,25 °) Normalerweise eignet sich für die meisten Motoren einen niedrigen Timing. Um eine höhere Geschwindigkeit zu erzielen, kann ein hoher Timing-Wert gewählt werden.

Anleitung des Brushless Reglers

Beginnen Sie mit der Verwendung Ihres neuen Brushless Reglers

WICHTIG! Da verschiedene Sender unterschiedliche Gasbereiche haben, kalibrieren Sie bitte den Gasbereich, bevor Sie fliegen.

Gasbereichseinstellung (Der Gasbereich sollte zurückgesetzt werden, wenn ein neuer Sender verwendet wird.)

1. Sender einschalten und den Gashebel in die obere Position (Motor Vollgas) bringen.
2. Den Akku mit dem Brushless Regler verbinden und 2 Sekunden warten.
3. Der "Beep-Beep-" Ton ertönt, sobald die Vollgas Position erkannt wurde.
4. Bewegen Sie den Gasknüppel in die untere Position (Motor aus), "Beep-" Töne ertönen entsprechend der Anzahl der Akkuzellen (Einzelzellen).
5. Ein langer "Beep-" Ton ertönt, sobald die Motor-Aus Position erkannt wurde.

Normaler Startvorgang

1. Sender einschalten und den Gashebel in die untere Position (Motor aus) stellen.
2. Den Akku mit dem Brushless Regler verbinden, ein Spezialton "♪ 123" ertönt um die Betriebsbereitschaft zu bestätigen.
3. "Beep-" Töne ertönen entsprechend der Anzahl der Akkuzellen (Einzelzellen).
4. Sobald der Selbstest abgeschlossen ist, ertönt ein langer "Beep---" Ton.
5. Den Gasknüppel aufwärtsbewegen um den Motor zu starten.

Schutzfunktion

1. Start up failure protection: If the motor fails to start within 2 seconds of throttle application, the ESC will cut-off the output power. In this case, the throttle stick MUST be moved to the bottom again to restart the motor. (Such a situation happens in the following cases: The connection between ESC and motor is not reliable, the propeller or the motor is blocked, the gearbox is damaged, etc.)
2. Überhitzungsschutz: Wenn die Temperatur des Reglers über 110 Grad Celsius liegt, verringert der Regler die Ausgangsleistung.
3. Schutz vor Signalverlust: Der Regler verringert die Ausgangsleistung, wenn das Gassignal für 1 Sekunde lang unterbrochen ist. Der Motor wird vollständig abgeschaltet wenn das Gassignal für 2 Sekunde lang unterbrochen ist.

Fehlerbehebung

Fehler	Mögliche Ursache	Maßnahme
Nach dem Einschalten funktioniert der Motor nicht, kein Ton wird ausgegeben	Die Verbindung zwischen Batterie Pack und ESC ist nicht korrekt	Überprüfen Sie den Stromanschluss Ersetzen Sie den Stecker
Nach dem Einschalten funktioniert der Motor nicht. Ein solcher Alarmton ertönt: "Beep-Beep-, Beep-Beep-,Beep-Beep-" (Jeder Piepton hat ein Zeitintervall von etwa 1 Sekunde)	Eingangsspannung ist abnormal, zu hoch oder zu niedrig	Überprüfen Sie die Spannung des Akkus
Nach dem Einschalten funktioniert der Motor nicht. Ein solcher Alarmton ertönt: "Beep-, Beep-, Beep-" (Jeder "Beep-" hat ein Zeitintervall von ca. 2 Sekunden)	Das Gassignal ist unregelmäßig	Überprüfen Sie den Empfänger und den Sender. Überprüfen Sie das Kabel des Gaskanals.
Nach dem Einschalten funktioniert der Motor nicht. Ein solcher Alarmton ertönt: "Beep-, Beep-, Beep-" (Jeder "Beep-" hat ein Zeitintervall von ungefähr 0,25 Sekunden)	Der Gasknüppel ist nicht in der untere (niedrigste) Position (Motor aus)	Bewegen Sie den Gashebel in die untere Position
Nach dem Einschalten funktioniert der Motor nicht Spezialton "♪56712" ertönt nach 2 Signaltönen (Beep-Beep-)	Richtung des Drosselkanals ist umgekehrt, so wird der Programm-Modus erreicht	Stellen Sie die Richtung des Gaskanals richtig ein
Der Motor läuft in die entgegengesetzte Richtung.	Die Verbindung zwischen dem Brushless Regler und dem Motor muss gewechselt werden.	Vertauschen Sie zwei der drei Anschlusskabel zwischen dem Brushless Regler und dem Motor

Programmieren Sie den Regler mit Ihrem Sender (4 Schritte)

Hinweis: Stellen Sie sicher, dass der Gasweg auf 0 eingestellt ist, wenn der Gasknüppel sich in der unteren Position befindet und 100% wenn der Gasknüppel sich in der oberen Position ist.

NO.1 Rufen Sie den Programmiermodus auf

1. Sender einschalten, Gashebel nach oben bewegen Position, verbinden Sie den Akku mit Brushless Regler.
2. Warten Sie 2 Sekunden, es sollte nun einen spezieller Ton wie "Beep-Beep-" ertönen.
3. Warten Sie weitere 5 Sekunden, nun ertönt ein Spezialton "♯56712", nun wird der Programmiermodus aufgerufen.

NO.2 Programmierbare Einstellung auswählen

Nach dem Aufrufen des Programmiermodus hören Sie 8 Töne in einer Schleife in folgender Reihenfolge. Wenn Sie den Gasknüppel bei der gewünschten Funktion innerhalb von 3 Sekunden nach unten bewegen, wird diese ausgewählt.

Schneller Ton	Ausgewählter Eintrag
"Beep" (1 kurzer Ton)	Bremse
"Beep-Beep-"(2 kurze Töne)	Batterietyp
"beep-beep-beep-"(3 short tone)	Abschaltmodus
"Beep-Beep-Beep-Beep-"(4 kurze Töne)	Abschaltspannung
"Beep -----" (1 langer Ton)	Startmodus
"Beep ----- Beep-"(1 langer 1 kurzer)	Timing
"Beep ----- Beep-Beep-"(1 langer 2 kurze)	alle auf Standardeinstellung (Werkseinstellung) setzen
"Beep ----- Beep -----"(2 lange Töne)	beenden

Hinweis: 1 langer Beep ----- = 5 kurze Beep-

NO.3 Stellen Sie den Wert der ausgewählten Einstellung ein (programmierbarer Wert)

Sie hören mehrere Töne in einer Schleife. Stellen Sie den passenden Wert für einen Ton ein, indem Sie den Gashebel in die obere Position (Motor Vollgas) bewegen wenn Sie den Ton hören. Dann ertönt ein Spezialton "♯1515". Dies bedeutet, dass der Wert eingestellt und gespeichert ist. (Wenn Sie den Gasknüppel oben lassen, kehren Sie zu Schritt 2 zurück und können weitere Einstellungen auswählen.

Wenn Sie den Stick innerhalb von 2 Sekunden nach unten bewegen, wird der Programmiermodus direkt beendet.

Töne	"Beep-" 1 kurzer Ton	"Beep-Beep-" 2 kurze Töne	"Beep-Beep-Beep" 3 kurze Töne
Einstellungen			
Bremse	aus	ein	
Batterietyp	Lipo	NiMH	
Abschaltmodus	weiche Abschaltung (Soft-Cut)	Abschaltung (Cut-Off)	
Abschaltspannung	Niedrig	Mittel	Hoch
Startmodus	Normal	Weich	Super-Weich
Timing	Niedrig	Mittel	Hoch

NO.4 Verlassen Sie den Programmiermodus

Es gibt zwei Möglichkeiten, um den Programmiermodus zu beenden:

1. In Schritt 3, nach dem Spezialton "1515", den Gasknüppel innerhalb von 2 Sekunden auf 0 setzen (Motor aus).
2. In Schritt 2, nach dem Ton "Beep ----- Beep-----" (Einstellung Nr.8), den Gasknüppel innerhalb von 3 Sekunden auf 0 setzen (Motor aus).

警告



警告：在组装、调整及飞行前请务必认真阅读产品说明书以熟知产品的特性。请严格按照说明书提示进行飞机的组装、调整及飞行。如操作不当会造成产品本身损坏及其它财产损失，甚至造成严重的人身伤害。

声明：模型不是玩具，具有一定的危险性，操作者需要具备一定的飞行经验，初学者请在专业人士指导下操作。禁止十四岁以下儿童操作、飞行。

安全须知

本产品飞行由无线电遥控器控制，在飞行过程中可能会受到外界强信号源干扰而导致失控，甚至坠机。因此，在飞行过程中务必始终与飞机保持一定的安全距离，避免意外碰撞、受伤。

- 请勿在发射器电池低电量的情况下操纵模型飞机。
- 请勿在公路、人群、高压线密集区、机场附近及其它法律法规明确禁止飞行的场合飞行。
- 请勿在雷雨、大风、大雪或者其它恶劣气象环境下飞行。
- 请严格遵照产品指导说明及安全警告操作本产品及其相关配置（例如充电器、电池等）。
- 请勿将相关化工类产品、零部件、电子部件等置于儿童可触及的范围。
- 请勿将电子件暴露于潮湿的环境中，以免造成损坏。
- 请勿将本品任意处置于口中，以免造成人身伤亡。

锂聚合物电池使用安全须知

- 使用锂聚合物电池时，须严格遵守制造商说明、要求并了解相关风险，使用不当会导致锂聚合物电池起火，从而造成严重的财产损失甚至人身伤害。
- 禁止使用变形、胀气的锂聚合物电池。
- 禁止使用过充、放电的锂聚合物电池，避免发生危险。长时间不使用须将锂聚合物电池放电至存储电压（3.8~3.85V / 节）。锂聚合物电池须储存在室内干燥区域（4.5~48.5°C），禁止将锂聚合物电池置于阳光下暴晒或车内，高温可能会导致锂聚合物电池起火，造成财产损失和人身伤害。
- 请使用专用充电器对锂聚合物电池进行充放电，禁止使用其它如：镍氢电池充电器。充放电时，禁止将锂电池放置于高温物体表面，建议使用锂电池防爆袋。不正确的充放电操作会对锂聚合物电池造成损伤，甚至会引起火灾，造成财产损失和人身伤害。
- 禁止将锂聚合物电池单节电压放至低于 3V，禁止给已损坏的锂聚合物电池充电。
- 锂聚合物电池充放电须在有人看管的情况下进行，避免发生意外造成不必要的损失。

飞机电池充电警告：

请确保使用合格的电池充电器给锂电池充电。在使用充电器前，请认真阅读充电器说明书。充电过程中，请确保把电池置于耐热的表面。建议把锂电池置于防火充电袋内充电，防火充电袋可在相关模型实体店或网上买到。

产品特点

第二次世界大战结束,美国和苏联分别从德国带回了航空设备研制专家、资料及设备,分别打造了自己国家的喷气式战斗机。F-86战斗机“佩刀”是美国研制的后掠翼喷气式战斗机,是美国空军装备的第一代喷气式战斗机,可用于对空作战,空域拦截与轰炸执行,是世界上第一架装备空对空导弹的战机,也是美国第一架装设弹射椅的战斗机。

FMS在丰富的研发制造遥控模型战斗机经验的基础上厚积薄发,以“精于静,精于动”的产品标准高还原度复刻了这款传奇经典的“佩刀”F-86。兼具外观和功能像真性的细节比比皆是,如可延时开合的舱门、可收放CNC加工起落架、可活动减速板、机翼航灯(左红右绿)、尾喷口航灯(一红一白)和着陆灯(暖白色)等,外观静态像真细节也不曾忽略,如油箱、座舱内饰(模制胶件成型)、空速管、天线等。8个13g全金属数码舵机控制副翼、襟翼、方向舵和升降舵,精准执行输入指令完成仿真战机机动动作,俯仰、横滚、滚转、翻转轻松玩转;3个9g半金属舵机控制减速板和前起落架舱门开合,前者可增加飞机的阻力,减小速度,后者在延时器的作用下可模拟控制起落架舱门的延时开启和关闭,确保起落架的展开或收起过程中,舱门的操作与起落架的运动同步,以确保安全性和流畅性。

PNP配置包含12叶片80mm涵道,大功率3665-2000Kv无刷内转电机和100A电调(带5A开关BEC),与市场上常见的6S 4000-5500mAh LiPo电池搭配(电池需另购),高配置动力及操控系统给“战斗”飞行提供更出色的性能、更长的飞行时间和更仿真的类涡轮发动机声浪。

此外,“佩刀”机身、机翼、尾翼等关键位置预埋多根加强管和加强片,保证极限飞行姿态下的机体强度。机身采用两段式设计,将包装尺寸缩小百分之三十,便利装载和运输。两款经典涂装,THE HUFF和SKYBLAZERS,无论晴空万里还是浓云密布都极具辨识度。

特征:

- 电子配置:80mm12叶涵道,3665-KV2000无刷电机,高性能100A电调,13g全金属数码舵机X8pcs,9g半金属舵机X3pcs;
- 动、静态像真细节丰富,如可延时开合的舱门、可收放CNC加工跪式起落架、可活动减速板、航灯和着陆灯、油箱、座舱内饰(模制胶件)等;
- CNC加工全金属起落架,自带减震,无虚位,强度高,有效对抗暴力降落;
- 两段式机身设计,将包装尺寸缩小百分之三十;
- 仿真水性漆涂装,极具质感。

产品组成

在组装产品之前,请仔细检查以下配件,如有缺失或者损坏,请及时联系当地店面或者邮件至厂家(support@fmsmodel.com),告知缺失或损坏的配件名称及编码(请在本说明书尾页查看相应的配件编码)。请注意,不同配置,包装盒内部物品不同。

产品参数

翼展:1220mm /48 in

机身长:1165mm /46in

飞行重量:~3050g

电机:3665 KV2000

翼载荷:95.3 g/dm² (0.18oz/in²)

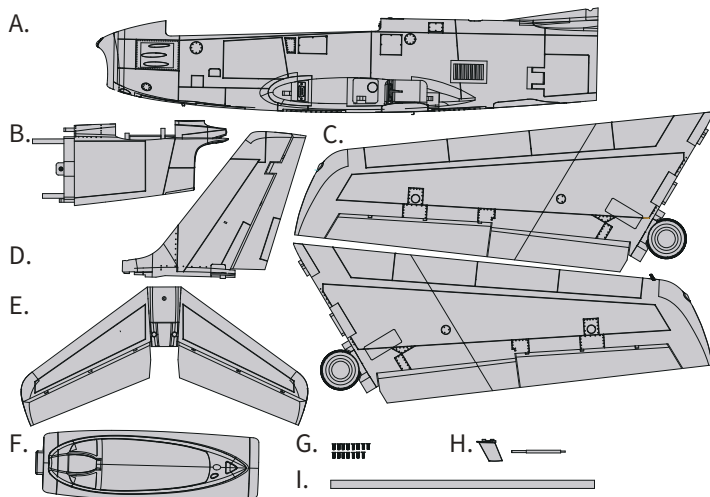
翼面积:32dm² (495.8 sq.in)

电调:100A

舵机:13gX8, 9gX3

涵道:80mm12叶

推荐电池:22.2V 4000mAh-5500mAh 45c

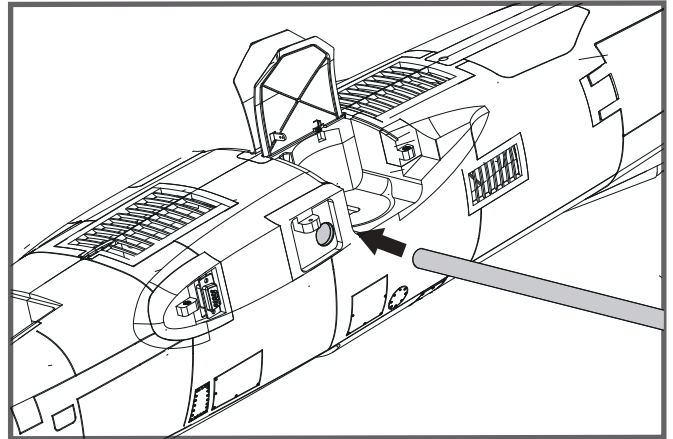


- A:前机身 D:垂尾 G:螺丝组(HKM3.0*10mm x 13)
 B:后机身 E:平尾 H:天线和空速管
 C:主翼 F:座舱组 I:主翼对接管

机体安装

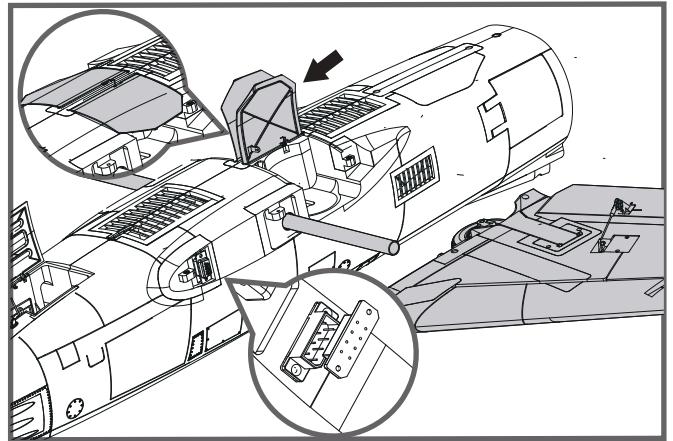
主翼安装

1. 如图所示, 将主翼对接管装入机身槽位。

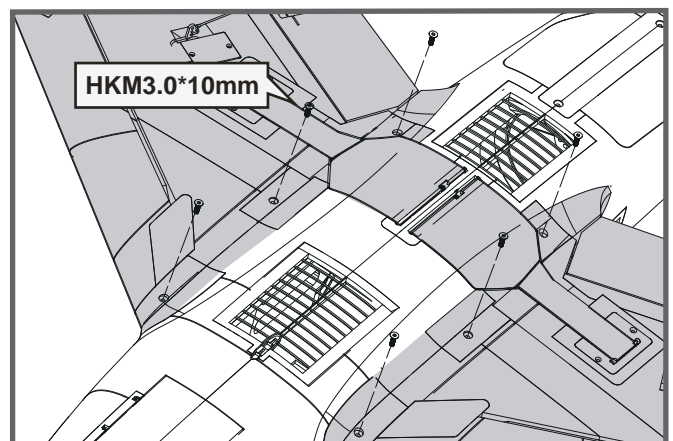


2. 将左右两侧舱门盖板向下压至底部（即关闭状态），将装有起落架的左右两侧机翼安装至机身。

注意：确保插牢机翼和机身的对接插头。



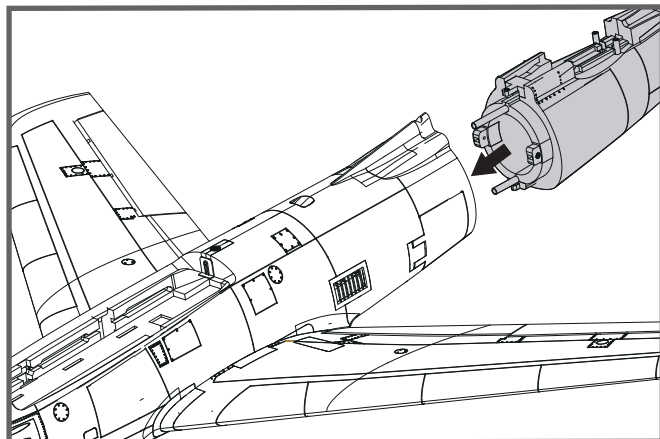
3. 所用所附螺丝（HKM3.0*10mm x 6）固定机翼至机身。



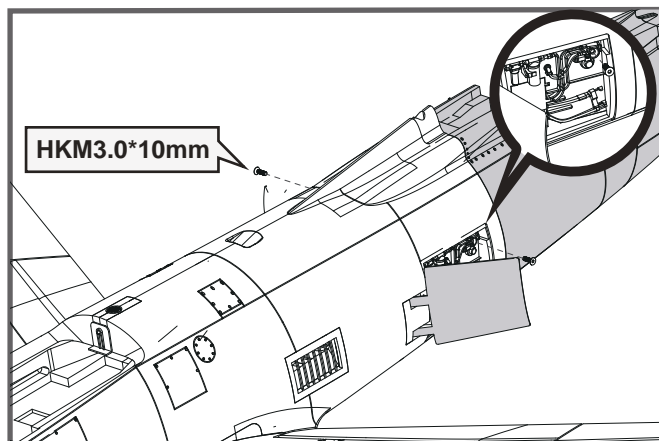
机体安装

后机身安装

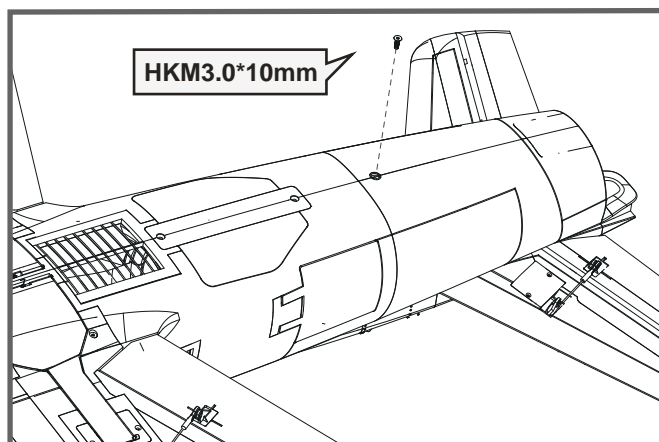
1. 如图所示，前机身延长线穿过后机身线槽，对准并安装后机身至前机身尾部相应槽位。



2. 使用遥控器的襟翼通道打开机尾减速板，使用所附螺丝 (HKM3.0*10mm X 2) 从水平方向上将后机身固定到位。



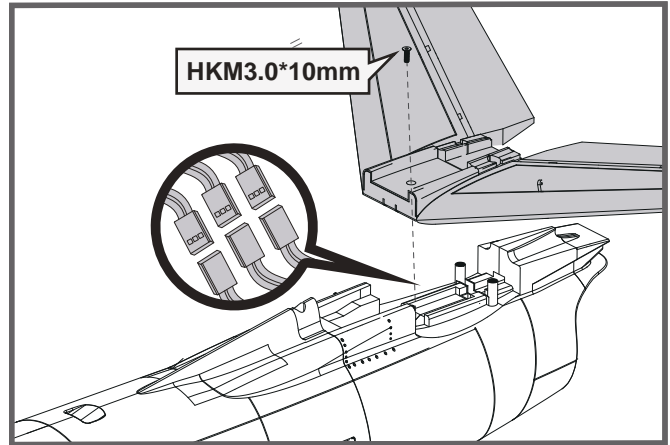
3. 保持机身底部朝上，使用所附螺 (HKM3.0*10mm X 1) 锁定前后机身。



机体安装

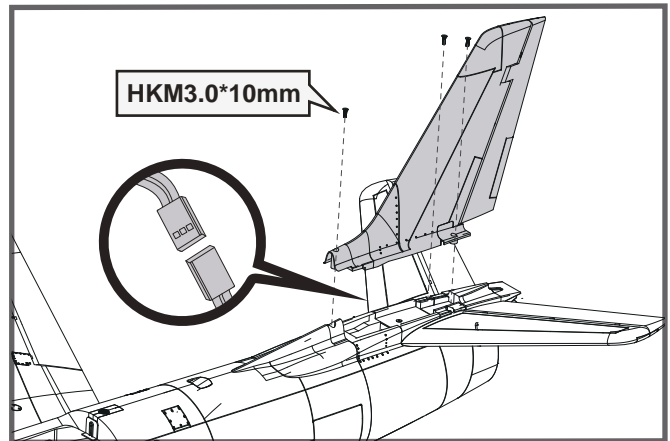
平尾安装

1. 如图所示，分别将平尾舵机线、LED 灯线与机身预埋的舵机延长线连接，将平尾安装至机身尾部槽位，并使用所附螺丝 (HKM3.0*10mm X1) 固定。



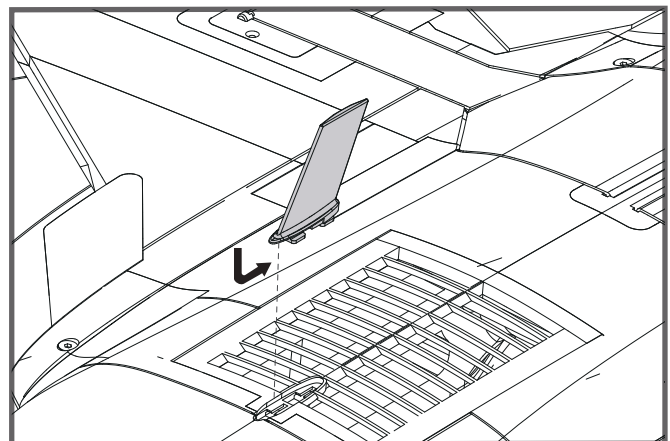
垂尾安装

1. 如图所示，连接垂尾舵机线和与机身预埋的舵机延长线，安装垂尾至机身尾部垂尾槽位，并使用所附螺丝 (HKM3.0*10mm X 3) 将垂尾固定到位。



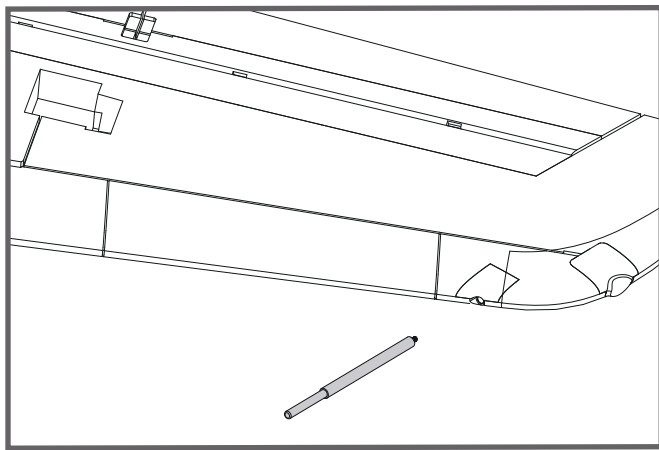
像真件安装

1. 如图所示，将像真天线安装至机身底部槽位，并向机身尾部方向滑动固定。



机体安装

2. 如图所示,将像真空速管插装至翼尖孔位。

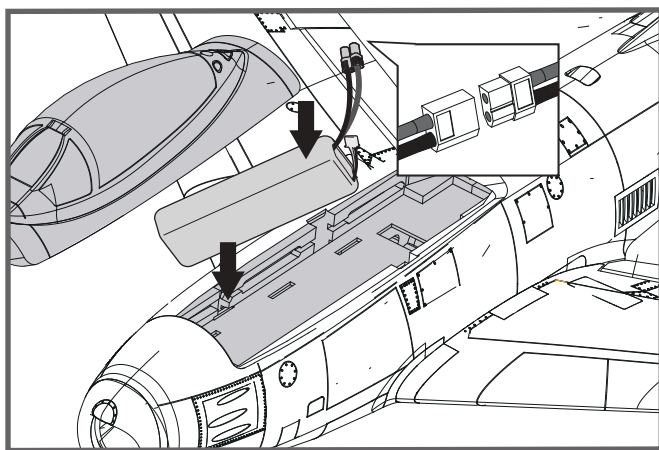


电池安装

1. 移开座舱。
2. 取下电池板上的魔术贴(毛面)贴于电池表面。
3. 如图所示,将电池置于电池舱内,用魔术带绑紧,使有电源线的那端朝向飞机的尾部。

注意：由于不同电池厂家生产的电池重量有轻微的差异，需要调整电池的前后位置来平衡飞机的重心位置。

电池仓尺寸：200*68*45mm



接收机连接示意图

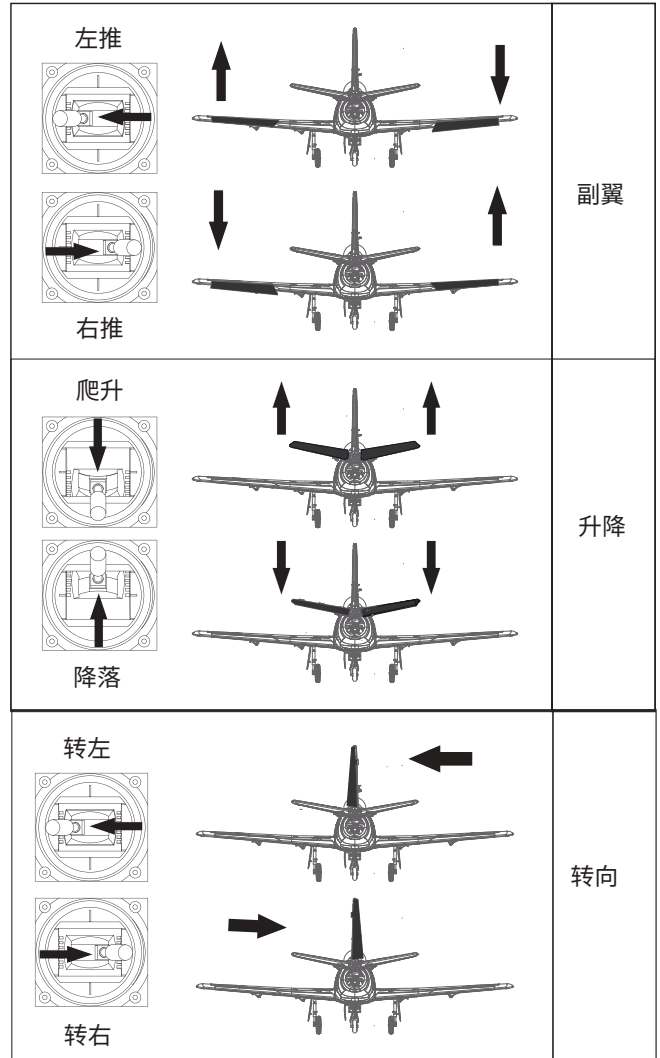
如图所示,以 Futaba 遥控器为例,将副翼舵机信号线插入接收机副翼通道、升降舵舵机信号线插入接收机升降舵通道、方向舵舵机信号线插入接收机方向舵通道、电调信号线插入接收机油门通道。最后将所有连接线整理整齐并固定在电池仓后部的凹槽内,随后固定好接收机。

		Receiver
副翼	1	Channel-1 — Aile
平尾	2	Channel-2 — Elev
油门	3	Channel-3 — Thro
垂尾	4	Channel-4 — Rudd
起落架	5	Channel-5 — Gear
其他通道	6	Channel-6 — Spare

遥控器设置

警告:为保证安全,在遥控器参数设置及舵面调整过程中,请务必拆下螺旋桨,以免电机意外启动发生事故。遥控器发射机开机前,确保油门杆在最低位置,其它摇杆在中立位置。开发射机并给接收机通电,随后听到电调初始化音(音符释义见后文“电子调速器说明书”)。观察所有舵面是否回中,如果没有回中,尽量通过调整舵机摇臂角度、连杆长度的方式来使舵面回中,若调整长度在安全范围内仍未回中,则使用遥控器通道微调或者菜单中的“SubTrim”选项来使舵面归中。如下图所示观察摇杆动作与舵面动作的对应关系,如发生舵面反向需要使用遥控器中的通道反向功能来纠正。

1.移动发射器上的控制杆位置,确保舵面可以自如移动。



推荐舵面行程

温馨提示:首飞建议用小舵面行程

	大	小
升降舵	16mm 上/下	12mm 上/下
副翼舵	14mm 上/下	10mm 上/下
方向舵	14mm 左/右	10mm 左/右

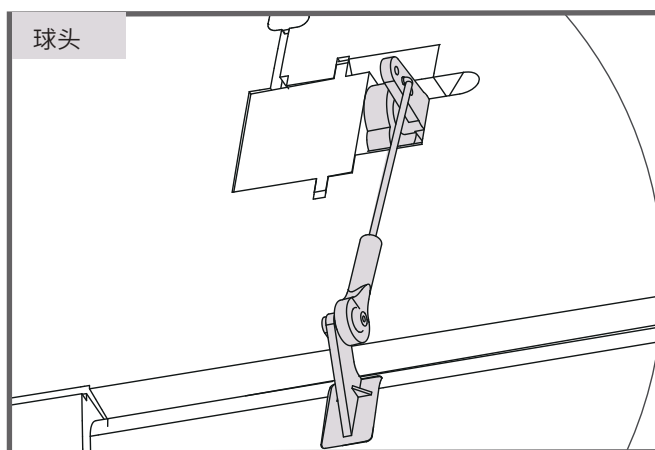
舵角和舵机摇臂安装

图示是舵角和舵面摇臂的出厂设置。首飞建议用出厂设置的舵角飞行。首飞后,可按图调整舵角。

	舵角	摇臂	大舵面
平尾			
垂尾			
副翼			
襟翼			

连接钢丝安装

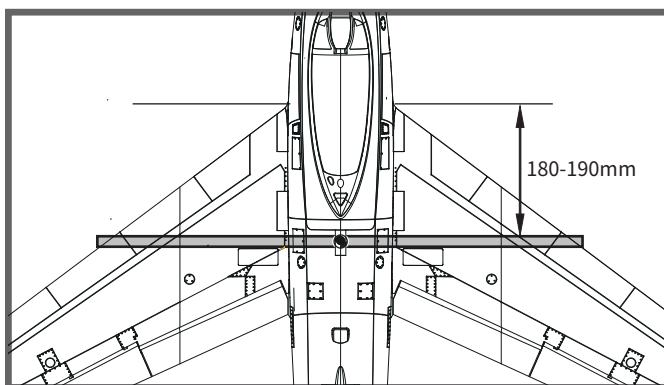
在安装主翼、平尾、垂尾之前需先安装副翼、襟翼、升降舵、方向舵的连接杆。具体步骤如下:保持舵机在回中状态,将副翼、襟翼、升降舵、方向舵舵面的连接钢丝有“Z”型折弯的一头由外侧装入相应的舵机摇臂孔位(请参考“舵角和舵机摇臂安装”相关步骤)再将钢丝另一端的球头扣安装到各舵角相应的球头上。



重心调整

通过移动电池在电池舱内的前后位置调整飞机的重心,使飞机保持水平或稍微头重的状态。首飞以后,重心位置可以根据你自己的飞行偏好再做更改。

- 1.如图所示,推荐重心位置是机翼前缘往后 180-190mm 处(安装电池以后)。推荐把食指放在机翼下面的重心位置来帮助调整重心。
- 2.在调整飞机重心的时候请确定飞机处于组装完毕待飞的状态。



飞行前准备

起飞前的检查

每次飞行前须做严格的地面检查,可有效避免飞行事故的发生。

1. 检查全机螺丝是否安装到位、舵角摇臂连接可靠。机翼快拆装置已锁紧。
2. 安装电池,并调整飞机重心到说明书推荐位置。
3. 动力电池、遥控器发射机电池等已充满电,处于可靠工作状态。
4. 发射机油门杆保持在最低位(推荐使用带有油门锁定功能的遥控设备),打开发射机,随后连接动力电池,待电调初始化完成后检查各个舵面是否回中,是否动作正确。
5. 轻推油门观察螺旋桨转向是否正确。

所有检查完成后,方可进行飞行,初学者首次飞行需要有经验的爱好者协助完成,避免因操作不当发生飞行事故。

合适的飞行场地

航模飞行须远离人群、建筑物、树木、高压线及禁飞区的空旷场地(至少 2-3 个足球场大小)。初学者飞行前需要向有经验的爱好者询问相关安全事宜。

关于飞行时间

厂家推荐的飞行时间是使用厂家推荐型号的电池,由有经验的爱好者在微风天完成飞行测试得到的飞行时间,该时间与电池参数、飞机全备重量、飞行条件以及飞行手法相关,不同飞行条件可能得到不同的飞行时间。

建议爱好者在飞行时使用遥控器的“计时功能”,建议初始飞行时间设定为 4 分钟,飞行时间倒计时告警后,降落飞机并测量电池电压,方可估算飞行时间并重新调整遥控器计时。如发射机没有计时功能,需要其他设备辅助测算飞行时间,以保证飞行安全。

在电池放电后期,禁止将飞机飞入下风区(风向指向的远端),防止动力不足而导致飞机不能安全返航。

故障检修指导

问题	问题原因	解决方式
油门推杆无响应, 但舵机有响应	——电调未连接电机 ——油门通道反向	——降低油门推杆和油门微调设定 ——反过来重新装油门通道
桨的噪音过大或者震动过大	——桨罩、桨、电机、电机架坏了 ——桨或者桨罩的小部件松动了 ——桨装反了	——更换损坏的配件 ——把桨、桨夹和桨罩的小部件拧紧 ——反过来重新装桨
飞行时间变短, 飞机无力	——电池电量低 ——桨装反了 ——电池坏了	——重新给电池充电 ——依照电池说明书更换新的电池
飞舵面不动, 或者动作响应较慢	——舵面、舵角、连接杆、舵机坏了 ——连接线坏了或者接头松了	——更换或者维修坏了的配件 ——检查所有连接线, 确保所有接头无松动现象
舵面反向	——遥控器发射机通道反向	——检查通道控制(舵面)方向, 调试飞机舵面和遥控器的舵面控制杆
电机无力	——电机或电池坏了 ——电调用了不合适的低压保护装置	——检查电池、发射机、接收机、电调、电机是否有损坏(如有, 请及时更换) ——立刻操控飞机降落, 重新给电池充电
接收器的 LED 灯慢闪	——接收器低电量	——检查电调和接收器之间的连接 ——检查舵机是否受损 ——检查连接杆是否安装到位

配件列表

FMSEO101	机身(银色)	FMSEO121	灯罩
FMSEO102	主翼(银色)	FMSEO122	灯组
FMSEO103	平尾(银色)	FMSEO123	空速管(银色)
FMSEO104	垂尾(银色)	FMSSDX006	80mm 涵道筒
FMSEO105	机头罩	PRKVX2000-1	电机 3665-KV2000
FMSEO106	座舱组	PRESC014	100A 电调
FMSEO107	主翼固锁胶件	FMSCON012	新排插12
FMSEO108	主翼对接管	FMSREX069	电子收放069
FMSEO109	舵角组	FMSREX070	电子收放070
FMSEO110	前起落架	PRSER003	捕食者13g 金属数码正向舵机300mm线长
FMSEO111	主起落架组	PRSER004	捕食者13g 金属数码正向舵机460mm线长
FMSEO112	前起落架系统	PRSER005	捕食者13g 金属数码反向舵机460mm线长
FMSEO113	主起落架系统	FMSSER015	9g 金属数码正向舵机460mm线长
FMSEO114	机身辅助进气口	FMSSER016	9g 金属数码反向舵机460mm线长
FMSEO115	连接钢丝	FMSEO101SB	机身(蓝色)
FMSEO116	贴纸(银色)	FMSEO102SB	主翼(蓝色)
FMSEO117	螺丝组	FMSEO103SB	平尾(蓝色)
FMSEO118	前起落架盖板	FMSEO104SB	垂尾(蓝色)
FMSEO119	主起落架盖板	FMSEO116SB	贴纸(蓝色)
FMSEO120	减速板	FMSEO123SB	空速管(蓝色)

如需查找产品图片, 请登录FMS官方淘宝店<https://fmsmodel.taobao.com>。如需查找电调说明书, 则在以上网址搜索栏中搜索关键词“电调”, 即可在任何一款电调产品页面查看。

电调使用说明

产品特点

1. 所有器件均为原装正品，确保电调具有一流品质和极高的可靠性。
2. 具有强大的耐流能力。
3. 具备输入电压异常保护、电池低压保护、过热保护、油门信号丢失保护等多重保护功能。
4. 具有普通启动、柔和启动、超柔和启动三种启动模式，兼容固定翼飞机及直升机。
5. 可设定油门行程，兼容各种遥控器。具备平滑、细腻的调速手感，一流的调速线性。
6. 最高转速可以达 210000 RPM (2 极马达)、70000 RPM (6 极马达)、35000 RPM (12 极马达)。

产品功能简要说明

1. 刹车设定：无刹车 / 有刹车。
2. 电池类型：Lipo (锂电池) / NiMH (镍氢)。
3. 电池低压保护模式：逐渐降低功率 / 立即关闭输出。
注：低压保护时，将油门摇杆拉到最小油门的位置后即可重新启动马达，但因为此时仍处于低压状况，所以功率输出较小。
4. 低压保护阈值：低 / 中 / 高。
1) 当电池类型设定为 Lipo 电池时，电调自动判断锂电节数，低 / 中 / 高情况下每节电池的截止电压分别为：2.85V/3.15V/3.3V。
例如：使用 3 节锂电，设定为中截止电压，则低压保护阈值为： $3.15 \times 3 = 9.45V$ 。
2) 当电池类型设定为镍氢电池时，低 / 中 / 高情况下截止电压为开机时输入电压的 0%/50%/65%。0% 意味着不进行低压保护。
例如：使用 6 节镍氢电池，充满时电压为 $1.44 \times 6 = 8.64V$ ，当设定为中截止电压时，则截止电压阈值为： $8.64 \times 50\% = 4.3V$ 。
5. 启动模式：普通 / 柔和 / 超柔和启动，马达转速从静止到最高速度的时间分别为 300ms/1.5s/3s。
普通启动适用于固定翼，柔和启动 / 超柔和启动适用于直升机。柔和启动和超柔和启动的初始转速都比较低，即便瞬时油门摇杆推到最大位置，马达从静止到全速也分别需要 1.5 秒和 3 秒。
(注：启动过程结束后若关闭油门，3 秒内再次启动，则均自动切换为普通模式，以免在特技飞行时因反应过慢而导致摔机)。
6. 进角：低 / 中 / 高，分别为 3.75 度 / 15 度 / 26.25 度。
一般情况下，低进角可以适应较多的马达。但是因为马达结构差异很大，请试用各个进角以获得满意的驱动效果。为提高转速，可以将进角设为高进角。改变进角后，建议先在地面进行测试，然后再飞行。

产品规格

型号	持续电流	瞬时电流 (10 秒)	BEC 类型	BEC 输出	BEC 驱动微型舵机能力				电池节数		重量	体积 长*宽*高 (mm)
					锂电	镍氢						
6A	6A	8A	线性稳压	5V/0.8A	2 节锂电	3 节锂电	4 节锂电	6 节锂电	2 节	5-6 节	5.5g	32*12*4.5
12A	12A	15A	线性稳压	5V/1A	3 个舵机				2-3 节	5-9 节	9g	38*18*6
12AE	12A	15A	线性稳压	5V/2A	2 个舵机	2 个舵机			2-3 节	5-9 节	10g	38*18*7
15A	15A	20A	线性稳压	5V/2A	5 个舵机	4 个舵机			2-3 节	5-9 节	16.5g	48*22.5*6
20A	20A	25A	线性稳压	5V/2A	5 个舵机	4 个舵机			2-3 节	5-9 节	19g	42*25*8
30A	30A	40A	线性稳压	5V/2A	5 个舵机	4 个舵机			2-3 节	5-9 节	37g	68*25*8
40A	40A	55A	线性稳压	5V/3A	5 个舵机	4 个舵机			2-3 节	5-9 节	39g	68*25*8
40A-UBEC	40A	55A	开关稳压	5V/3A	5 个舵机	5 个舵机	5 个舵机		2-4 节	5-12 节	43g	65*25*12
50A-UBEC	50A	65A	开关稳压	5V/5A	8 个舵机	8 个舵机	6 个舵机	6 个舵机	2-4 节	5-12 节	41g	65*29*10
60A-UBEC	60A	80A	开关稳压	5V/5A	8 个舵机	8 个舵机	6 个舵机	6 个舵机	2-6 节	5-18 节	63g	77*35*14
60A-OPTO	60A	80A	无	无					2-6 节	5-18 节	60g	77*35*14
80A-UBEC	80A	100A	开关稳压	5V/5A	8 个舵机	8 个舵机	6 个舵机	6 个舵机	2-6 节	5-18 节	82g	86*38*12
80A-OPTO	80A	100A	无	无					2-6 节	5-18 节	79g	86*38*12
80A ESC	80A	100A	开关稳压	5V/7A					3-6 节	5-18 节	79g	85*36*9
80Ax2+UBEC	80A	100A	开关稳压	5V/10A					3-6 节	5-18 节	175g	85*36*9
100A ESC	100A	120A	开关稳压	5V/7A					3-6 节	5-18 节	92g	85*36*9

首次使用您的无刷电子调速器

特别强调!为了让电调适应您的遥控器油门行程,在首次使用本电调或更换其他遥控器使用时,均应重新设定油门行程。

油门行程设定说明:

1. 开启遥控器,将油门打到最高点。
2. 将电调接上电池,等待 2 秒。
3. “哔 - 哔 -” 油门最高点确认音。
4. 将油门推到最低等待 1 秒。
5. N 声短鸣音表示锂电节数。
6. “哔 -” 油门最低点确认音
7. 系统准备就绪可以起飞。

正常使用开机过程说明:

1. 开启遥控器,将油门打到最低点。
2. 电调接上电池,鸣叫提示音符“♪123”,表示上电正常。
3. 发出 N 声短鸣音,表示锂电池节。
4. 自检 OK,发出长鸣音“哔——”系统准备就绪。
5. 推油门可随时起飞。

电调保护功能说明

1. 启动保护:当推油门启动后,如在两秒内未能正常启动马达,电调将会关闭马达,油门需再次置于最低点后,才可以重新启动。(出现这种情况的原因可能有:电调和马达连线接触不良或有个别输出线断开、螺旋桨被其他物体阻挡、减速齿卡死等)。
2. 温度保护:当电调工作温度超过 110 摄氏度时,电调会降低输出功率进行自我保护,但不会将输出功率全部关闭,最多只降到全功率的 40%,以保证马达仍有动力,避免摔机。温度下降后,电调会逐渐恢复最大动力。
3. 油门信号丢失保护:当检测到油门遥控信号持续丢失 1 秒后,电调开始降低输出功率,如果信号始终无法恢复,则一直降到零输出(降功率过程为 2 秒)。如果在降功率的过程中油门遥控信号重新恢复,则立即恢复油门控制。优点:在油门信号瞬间丢失的情况下(小于 1 秒),电调并不会立即切断动力输出;如果遥控信号确实长时间丢失,则进行保护,但也不是立即关闭输出,而是有一个逐步降低输出功率的过程,给玩家留有一定的时间救机,兼顾安全性和实用性。
4. 过负荷保护:当负载突然变得很大时,电调会切断动力,或自动重启。出现负载急剧增大的原因通常是马达堵转。

故障处理

故障现象	可能原因	解决方法
上电后电机无法启动,无任何声音	电源接头接触不良	重新插好接头或更换接头
上电后电机无法启动,发出“哔 - 哔 -、哔 - 哔 -、哔 - 哔 -”警示音(每两声之间的间隔时间为 1 秒)	电池组电压不正常	检查发射机和接收机的配合是否正常,油门控制通道接线是否插紧
上电后电机无法启动,发出“哔 -、哔 -、哔 -”警示音(每声之间的间隔时间为 2 秒)	接收机油门通道无油门信号输出	检查电池组电压
上电后电机无法启动,发出“哔、哔、哔、哔、哔”急促单音	油门未归零或油门行程设置过小	将油门摇杆置于最低位置;重新设置油门行程
上电后电机无法启动,发出“哔 - 哔 -”提示音,然后发出“56712”特殊提示音	油门通道“正/反”向错误	参考遥控器说明书,调整油门通道的“正/反”向设置
电机反转	电调输出线和电机线连接的线序错误	将三根输出线中的任意两根对调

遥控器编程设定说明

注意：务必检查遥控器中油门曲线的设置，确保摇杆最低点位置对应的油门输出值为 0，最高点位置对应输出值为 100%。

一、进入编程模式

1. 开启遥控器，将油门打到最高，电调接上电池。
2. 等待 2 秒，马达鸣叫“哔-哔-”提示音。
3. 再等待 5 秒，马达鸣叫“56712”特殊提示音，表示已经进入编程模式。

二、选择设定项

进入编程设定后，会听到 8 种鸣叫音，按如下顺序循环鸣叫，在鸣叫某个提示音后，3 秒内将油门打到最低，则进入该设定项。

提示音	设定项
“哔” (1 短音)	刹车
“哔-哔-” (2 短音)	电池类型
“哔-哔-哔-” (3 短音)	低压保护模式
“哔-哔-哔-哔-” (4 短音)	低压保护阈值
“哔——” (1 长音)	启动模式
“哔——哔-” (1 长 1 短)	进角
“哔——哔-哔-” (1 长 2 短)	恢复出厂默认值
“哔——哔——” (2 长音)	退出

注：一长音“哔——”相当于 5 声短音“哔-”，所以在“选择设定项”中，一长一短的“哔——哔-”表示第 6 选项，以此

三、选择参数值

马达会循环鸣叫，在鸣叫某个提示音后将油门摇杆打到最高点，则选择该提示音所对应的设定值，接着鸣叫特殊提示音“i5i5”，表示该参数值已被保存。（此时如果不想再设定其它选项，则在 2 秒内将油门摇杆打到最低，即可快速退出编程设定模式；如果还要设定其它选项，则继续等待，退回第二步，再选择其它设定项）。

提示音	“哔-” 1 声	“哔-哔-” 2 声	“哔-哔-哔-” 3 声
设定项			
刹车	无刹车	有刹车	
电池类型	锂电池	镍氢电池	
低压保护方式	逐渐降低功率	立即关闭动力	
低压保护阈值	低	中	高
启动模式	普通模式	柔和启动	超柔和启动
进角	低	中	高

四、退出设定

有如下两种方式退出设定：

1. 在第三步，选择设定值时，鸣叫特殊提示音“i5i5”后，2 秒内将油门摇杆打到最低点，则退出设定。
2. 在第二步，选择设定项时，当电机鸣叫出“哔——哔——”（即第 8 个设定项）两长音后，3 秒内将油门打到最低点，则退出设定。

Decal Application 贴纸应用

WATER DECAL APPLICATION 水贴粘帖步骤

1. Cut decals from the sheet as needed.
2. Dip the decal in water for about 15-30 seconds.
3. Hold the decal backing sheet edge and gently slide the decal onto the model in its proper position.
4. Using a cotton stick gently push out the water and bubbles from inside.

1. 剪下所需水贴纸。
2. 将水贴纸浸入水中约15-30秒
3. 压住水贴纸背片的边缘, 将水贴纸滑动到模型的适当位置。
4. 用棉棒挤出里面的水份和气泡。

机身左边贴纸区

A1 WARNING
THIS AIRPLANE CONTAINS A BEAT CATALYT CONTAINING AN EXPLOSIVE CHARGE SEE T.O. IF-86F-2 FOR COMPLETE INSTRUCTIONS

A2 GUNSIGHT & RADAR ACCESS

A3 A.C. EXTERNAL POWER ACCESS

A4 U.S. AIRFORCE F 86F A.F. SERIAL NO. 52 5012
SERVISE THIS AIRCRAFT WITH GRADE JP-4 FUEL REFERENCED TO: 4291-I-1

A5 BORESIGHT FIXTURE INSIDE

A6 KICK STEP

A7 COCKPIT DRAIN PLUG

A8 EXPENDED AMMUNITION ACCESS

A9 HAND GRIP

A10 GUN CHARGER AMMUNITION ACCESS LOWER DOOR FOR STEP

A11 WARNING
THIS AIRPLANE CONTAINS A BEAT ROCKET GERMILY CONTAINING AN EXPLOSIVE CHARGE SEE T.O. IF-86F-2 FOR COMPLETE INSTR.

A12 HOIST

A13 STICK STOP ACCESS

A14 EMERGENCY CANOPY RELEASE

A15 RADIO ACCESS FUEL LEVEL CONTROL VALVE INSIDE

A16 ACCESS FOR ENGINE ISLANDS ENGINE CONTROLS

A17 GROUND HERE

A18 FUEL FILLER 198 U.S. GALS

A19 EXT. PWR RECP. 24 VOLT D.C. USE BOTH RECP. FOR ENGINE START USE NO.1 FOR GRND CHECK WHEN ONLY ONE RECP. REQUIRED

A20 SERVICE THIS AIRCRAFT WITH GRADE JP-4 FUEL

A21 FUEL VENT INSPECT

A22 TORQUE BOLT TO 130-150 INCH POUNDS MAX

A23 TORQUE BOLT TO 130-150 INCH POUNDS MAX

A24 JACK PER T.O. IF-86F-2

A25 SPARK PLUG ACCESS DOOR

A26 BATTERY LOCATION IN NOSF RADAR COMPARTMENT

A27 FUEL FILTER ACCESS THRU L.H. WHEEL WELL

A28 ALTERNATE HYDRAILIC FLIGHT CONTROL SYSTEM COMPESATOR

A29 FLUID LEVEL INDICATOR INSIDE

A30 DATE CASE ALT. HYD. FLIGHT CONT.SYS PUMP ACCESSS ENG. REMOVAL DJSC.

A31 BEWARE OF BLAST

A32 TAIL PIPE HORIZ&VERT ADJUSTMENT AND THERMOCOUPLE INSPECTON

机身右边贴纸区

B1 WARNING
THIS AIRPLANE CONTAINS A BEAT CATALYT CONTAINING AN EXPLOSIVE CHARGE SEE T.O. IF-86F-2 FOR COMPLETE INSTRUCTIONS

B2 GUNSIGHT & RADAR ACCESS

B3 AUX. LANDING GEAR

B4 NOSE GEAR EMERG. PUSH TO RESET

B5 COMPRESSOR OIL RESERVOIR AIR BOTTLE FILLER VALVE PRESSURE VALVE

B6 U.S. AIRFORCE F 86F A.F. SERIAL NO. 52 5012
SERVISE THIS AIRCRAFT WITH GRADE JP-4 FUEL REFERENCED TO: 4291-I-1

B7 HYD. BRAKE CYL. ACCESS

B8 DXYGEN FILLER INSIDE

B9 GUN CHARGER AIR COMPRESSOR ACCESS

B10 CANOPY OPEN CLOSE

B11 KICK STEP

B12 COCKPIT DRAIN PLUG

B13 EXPENDED AMMUNITION ACCESS

B14 GUN CHARGER AMMUNITION ACCESS LOWER DOOR FOR STEP

B15 WARNING
THIS AIRPLANE CONTAINS A BEAT ROCKET CATALYT CONTAINING AN EXPLOSIVE CHARGE SEE T.O. IF-86F-2 FOR COMPLETE INSTR.

B16 HOIST

B17 HYDRAILIC RESERVOIR FUEL LEVEL TRANSMITTER FIRE DETECTOR RELAY L.A.D.S. ACCESS CYROSYN COMPASS

B18 GROUND HERE

B19 SERVICE THIS AIRCRAFT WITH GRADE JP-4 FUEL

B20 ACCESS FOR FWD ENGINE SUPPORT ACCESS FOR OIL TANK SUPP DRAIN ENGINE ISLANDS

B21 OIL FILLER & DIPSTICK ACCESS OSE OIC PER SPEC MIL-O-6081 GRADE 1010

B22 HYDRAILIC TEST STAND CONNECTION

B23 HYDRAILIC TEST STAND DISENGAGE COMPESATOR

B24 OIL COOLER WATER DRAIN THRU R.H. WHEEL WELL

B25 JACK PER T.O. IF-86F-2

B26 ALTERNATE HYDRAILIC FLIGHT CONTROL SYSTEM COMPESATOR

B27 TAIL PIPE HORIZ&VERT ADJUSTMENT AND THERMOCOUPLE INSPECTON

B28 FLUID LEVEL INDICATOR INSIDE

B29 BEWARE OF BLAST

机身底部贴纸区

C1 LEVELING PROVISION INSIDE

C2 EXPENDED AMMUNITION ACCESS INSIDE

C3 EXPENDED AMMUNITION ACCESS CAUTION INSTALL INTERNAL ACCESS PANELS PRIOR TO CLOSING THIS DOOR

C4 FUEL BOOSTER PUMP

主翼上部贴纸区

E1 NO STEP STUD BLOT VERTICAL WHEN LOCKED

E2 NO STEP STUD BLOT VERTICAL WHEN LOCKED

E3 DROP TANK CONNECTION INSIDE

E4 FUEL LEVEL TRANSMITTER INSIDE

E5 HOIST

E6 DROP TANK CONNECTION INSIDE

E7 HOIST

E8 FIRST-FILL FWD.FUS. CENTER WING CELL SECOND FILL OUTER WING CELLS LAST-FILL AFT. FUS CELL CAUTION DO NOT OVERFLOW

E9 NO STEP

E10 SERVICE THIS AIRCRAFT WITH GRADE JP-4 FUEL

E11 FUEL FILLER 196 U.S. GALS

垂尾部分贴纸区

D1 ANTENNA-FINISH PLASTIC AREA ONLY WITH PAINT PER SPFC AN-L-29

D2 ANTENNA-FINISH PLASTIC AREA ONLY WITH PAINT PER SPFC AN-L-29

主翼底部贴纸区

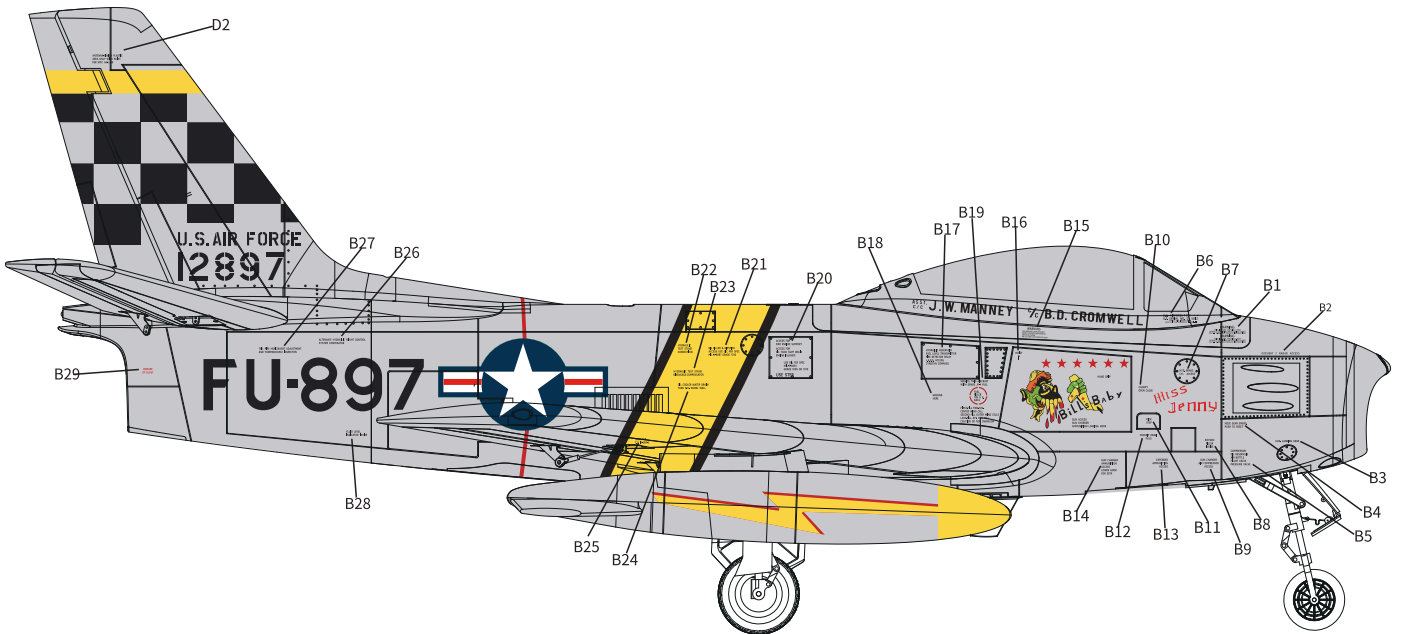
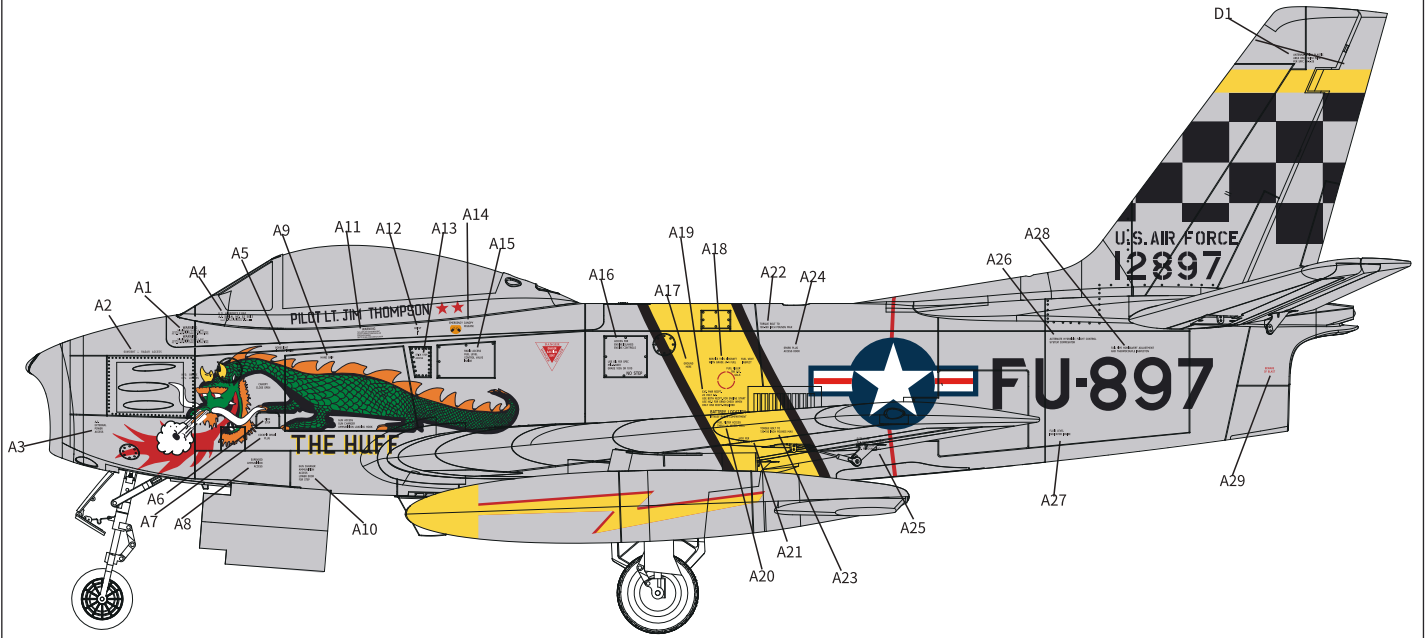
F1 CAUTION DISCONNECT ELECTRICAL WIRING BEFORE REMOVING WING

F2 DROP TANK FUEL & PRESSURE DRAINS

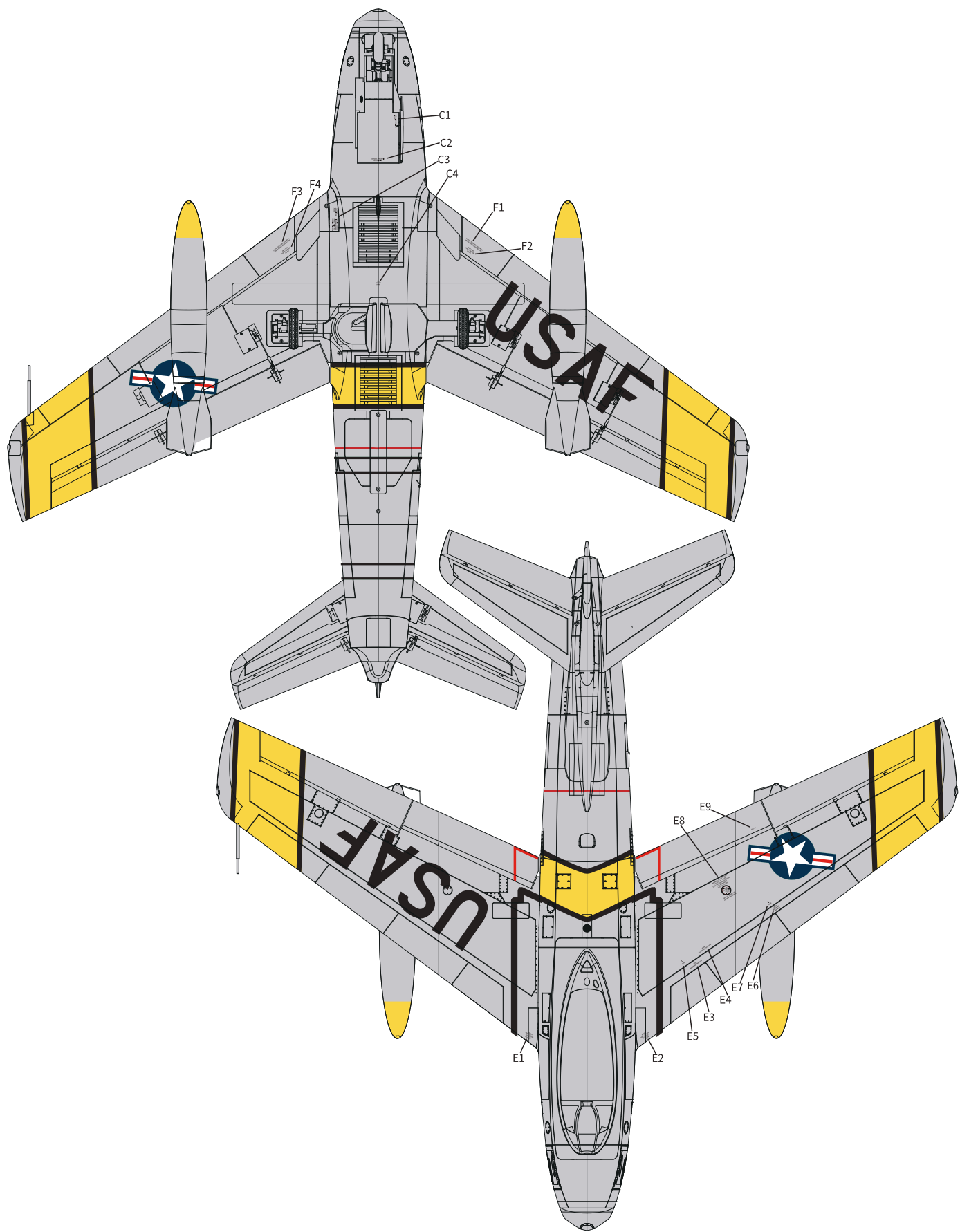
F3 CAUTION DISCONNECT ELECTRICAL WIRING BEFORE REMOVING WING

F4 DROP TANK FUEL & PRESSURE DRAINS

Decal Application 贴纸应用



Decal Application 贴纸应用



Foshan Zhengze Model Technology Co., Ltd.

Tel:+86-0757-26330080

E-mail:support@fmsmodel.com

Add: Unit A, Building 6, Jicheng Science and Technology Innovation Park,
Shunde, Foshan City, Guangdong Province, 528306

佛山市正泽模型科技有限公司

电话:86-0757-26330080

邮箱:support@fmsmodel.com

地址及电话:广东省佛山市顺德区北滘镇顺江社区三乐东路25号集成科创园 6栋

中国代理

车模

酷乐派模型 KLP Racing

蓝飞驰模型

老顽童模型

顶尖遥控模型

苏乐快捷模型

意帆模型 Well Model

航模

苏州雷飞航模车模

擎天模型

神鹰模型

mymtt的新店

天天向上模型

新动模型

