

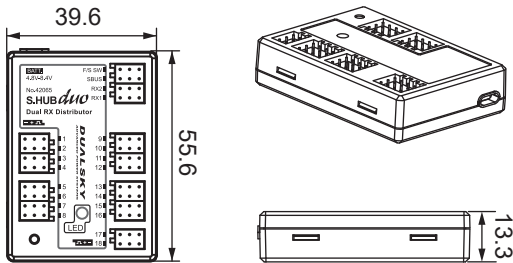
S.HUB duo

Dual RX Distributor Instruction Manual

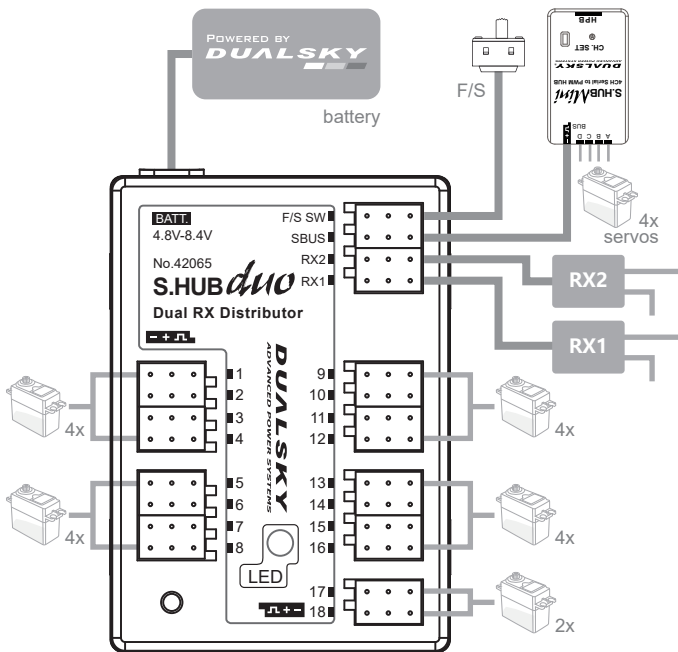
Specifications

- Dimension : L 55.6 x W 39.6 x H 13.3mm
- Weight : 35.0g
- Working Voltage : 4.8V to 8.4V
- Working Current : 20A constant, 30A peak
- Number of serial input : Dual RXs redundant
- Protocol supported : Futaba S.Bus/S.Bus2
JETI EX.Bus
Spektrum SRXL
- Number of PWM output : 18
- S.Bus output relay : Yes, encoded
- Power switch : FSS-4, fail-safe switch
- Voltage Regulator : N/A
- Casing material : PC plastic
- Applications : For the large model which have many control surfaces, for example : glider, scale model, gasoline and Jet.

Dimensions



Wiring Diagram



Input power and switch

S.HUB duo use single power input. The power source can be 2S Lipo (recommended), 2S LiFe, etc. The product no longer provides the voltage indication function. The power supply output directly (unregulated). So that user can inspect the receiver voltage through the telemetry function. S.HUB duo also work well with the Dualsky RXB receiver Lipo battery. Which is integrated with IVM voltage monitor. Pilot can check the capacity easily at any time.

The product provides a failsafe switch function, which can be connected to FSS-4 (standard, # 46814), FSS-3 (# 46813) and even remote switches. Note: After connecting to the battery, even it is turned off, there is a milliamp-level power consumption. If you will not use it on the same day, please disconnect the battery.

Signal input and LED indicator

S.HUB duo supports three kinds of bus protocols (S.Bus, EX.Bus, SRXL). When initializing, it will connect to the protocol which is used the last time firstly (quick start function). If the connection fails, it will automatically switch protocols and attempt to re-connect.

S.HUB duo supports dual receiver redundancy. When two receivers are connected, RX1 is the master receiver. Of course, it also supports single receiver mode, you can connect RX1 or RX2 alternatively. There are LED indicators next to the RX1 and RX2 ports, together with the main LED, indicate and record the signal conditions during the flight. The following is the table:

	Blue	Slow flash	Fast flash
RX1 LED RX2 LED	RX signal is normal (No light : RX doesn't work)	Signal is abnormal	Bus wire failure
Main LED	Blue	Yellow (Recoverable)	Red (Unrecoverable)
	RX signal is normal (No light : RX doesn't work)	1 of 2 RX signal is abnormal	2/2 or 1/1 RX signal is abnormal

The RX1 & RX2 port is designed with overload protection. It allows the receiver to connect with sensors, but it is not recommended to connect high-power equipment such as servos, lighting systems, etc.

Servo output port

S.HUB duo can output up to 18 PWM channels. When the number of channel on the BUS is less than 18, there is no output signal on the extra channels. The frequency of the servo output port is automatically synchronized with the input bus frequency. For example: When the receiver works in S.Bus 16CH / 18CH mode, the output port frequency is 15ms. When the receiver works in S.Bus 12CH high-speed mode, the output port frequency is synchronously increased to 6ms (only digital servos can be used in this mode), and there is no output from the 13th to 18th servo ports. The maximum continuous current of single output port is 2.5A and the maximum is 5A. Excessive current will damage the pins.

S.Bus signal relay

No matter which protocol is connected to the receiver, while the S.HUB duo decodes the PWM servo signal, it encodes channel data into a S.Bus format again and outputs through the SBUS port. To connect more S.Bus compatible devices, such as: S.HUB mini (# 21898) or gyroscope. The port allows a maximum 5A operating current. In addition to obtaining high-quality S.Bus data (dual receiver mode), when the RX protocol is EX.Bus 24CH, the system will encode 9CH-24CH data into the relay 18CH S.BUS. In this way, with the use of S.HUB mini, you can make full use of the functions of 24 channels, especially the 19th to 24th channels.

Signal fail-safe protection

S.HUB duo's fail-safe strategy is "Hold", and the servo maintains the last position before the signal loss. Only when the physical connection lines of RX1 and RX2 are all faulty, the fail-safe protection of S.HUB duo will be activated. Otherwise, the F/S protection of main receiver will be performed.

Disclaimer

Thank you very much for using this product. Please use this product strictly in accordance with the manual. We do not assume any liability arising out of the use of this product or illegal modification or improper operation, including but not limited to indirect damage or joint liability, the maximum compensation is not higher than the price of the product itself. By using this product, you agree to the terms of this statement.

Warranty

Dualsky electronic products warranty is for 12 months from the date of sale. If you want to claim during the warranty period, please contact your dealer immediately.

The cashier receipt at the model store can prove whether the goods are under warranty. Please note that the warranty period will not be extended under any circumstances. Warranty service is provided free of charge for any functional defects, production failures or material defects during the warranty period. We will not accept any further claims, such as the user is responsible to pay the return shipping cost of the indirect damaged goods, we will pay for the return shipping cost to the user. If the shipping costs are not prepaid, we will not accept the goods. We do not accept the damage caused by transportation and do not make up for the loss of transportation. We recommend you to buy transportation insurance and send your equipment to the service center.

We can process your claim if the following conditions are met:

- Provide cashier receipts
- Operate the equipment correctly according to the instructions
- Use recommended power supplies and accessories
- The damage is not caused by water, reverse polarity, or over load.
- Please provide a concise and accurate description of the fault to help us solve the problem