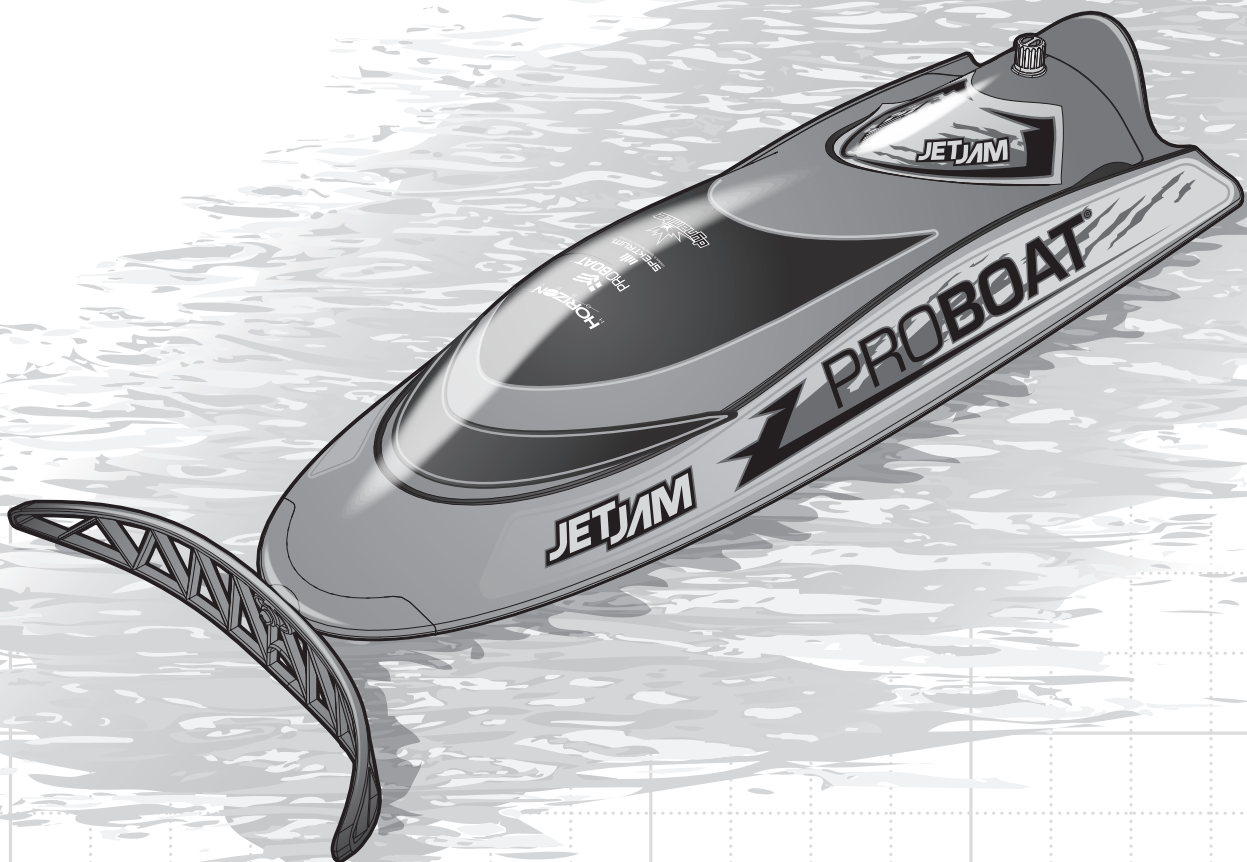




PROBOAT™
ProBoatModels.com

Jet Jam™

12-INCH POOL RACER RTR



Scan the QR code and select the Manuals and Support quick links from the product page for the most up-to-date manual information.

Scannen Sie den QR-Code und wählen Sie auf der Produktseite die Quicklinks Handbücher und Unterstützung, um die aktuellsten Informationen zu Handbücher.

Scannez le code QR et sélectionnez les liens rapides Manuals and Support sur la page du produit pour obtenir les informations les plus récentes sur le manuel.

Scannerizzare il codice QR e selezionare i Link veloci Manuali e Supporto dalla pagina del prodotto per le informazioni manuali più aggiornate.



PRB08031V2

**Owners Manual • Bedienungsanleitung
Manuel de l'utilisateur • Manuale dell'utente**

HORIZON®
H O B B Y

NOTICE

All instructions, warranties and other collateral documents are subject to change at the sole discretion of Horizon Hobby, LLC. For up-to-date product literature, visit <http://www.horizonhobby.com> and click on the support tab for this product.

MEANING OF SPECIAL LANGUAGE

The following terms are used throughout the product literature to indicate various levels of potential harm when operating this product:

WARNING: Procedures, which if not properly followed, create the probability of property damage, collateral damage, and serious injury OR create a high probability of superficial injury.

CAUTION: Procedures, which if not properly followed, create the probability of physical property damage AND a possibility of serious injury.

NOTICE: Procedures, which if not properly followed, create a possibility of physical property damage AND little or no possibility of injury.



WARNING: Read the ENTIRE instruction manual to become familiar with the features of the product before operating. Failure to operate the product correctly can result in damage to the product, personal property and cause serious injury.

This is a sophisticated hobby product and NOT a toy. It must be operated with caution and common sense and requires some basic mechanical ability. Failure to operate this Product in a safe and responsible manner could result in injury or damage to the product or other property. This product is not intended for use by children without direct adult supervision. Do not use with incompatible components or alter this product in any way outside of the instructions provided by Horizon Hobby, LLC. This manual contains instructions for safety, operation and maintenance. It is essential to read and follow all the instructions and warnings in the manual, prior to assembly, setup or use, in order to operate correctly and avoid damage or serious injury.

Age Recommendation: Not for children under 14 years. This is not a toy.

Safety Precautions and Warnings

As the user of this product, you are solely responsible for operating in a manner that does not endanger yourself and others or result in damage to the product or the property of others.

- When handling and/or transporting your boat, always pick up the boat from the sides, keeping all moving parts pointed away from you.
- Always keep a safe distance in all directions around your model to avoid collisions or injury. This model is controlled by a radio signal subject to interference from many sources outside your control. Interference can cause momentary loss of control.
- Always operate your model in open spaces away from full-size vehicles, traffic and people.
- Always carefully follow the directions and warnings for this and any optional support equipment (chargers, rechargeable battery packs, etc.).
- Always keep all chemicals, small parts and anything electrical out of the reach of children.
- Always avoid water exposure to all equipment not specifically designed and protected for this purpose. Moisture causes damage to unprotected electronics.
- Never place any portion of the model in your mouth as it could cause serious injury or even death.
- Never operate your model with low transmitter batteries.

Table of Contents

Water-Resistant Boat with Waterproof Electronics	3	Self-Righting	8
General Precautions	3	When You Are Finished	8
Wet Conditions Maintenance	3	After Boating and Maintenance	9
Product Inspection	3	Binding	9
Box Contents	4	Failsafe	9
Recommended Tools and Materials	4	Motor Care	9
Placing the Decals	4	Drivetrain Lubrication	10
Installing the Battery Pack	4	Troubleshooting Guide	11
Catch Cup	5	Limited Warranty	12
Transmitter	5	Warranty and Service Contact Information	13
Transmitter Battery Installation	5	FCC Information	13
Charging the Battery	6	IC Information	13
Charging Warnings	6	EU Compliance Statement	13
Low Voltage Cutoff (LVC)	6	Instructions for Disposal of WEEE	13
Getting Started	7	Replacement Parts	50
Control Check	7	Recommended Parts	50
Testing Your Boat in the Water	7	Optional Parts	50
Boating Tips	8		

Water-Resistant Boat with Waterproof Electronics

Your new Horizon Hobby boat has been designed and built with a combination of waterproof and water-resistant components to allow you to operate the product in calm, fresh water conditions.

While the entire boat is highly water-resistant, it is not completely waterproof and your boat should NOT be treated like a submarine. The various electronic components used in the boat, such as the servo(s) and receiver are waterproof, however, most of the mechanical components are water-resistant and require additional maintenance after use.

Metal parts, including the bearings, pins, screws and nuts, propeller, rudder, rudder mounts, prop struts, as well as the contacts in the electrical cables, will be susceptible to corrosion if additional maintenance is not performed after running in wet conditions. To maximize the long-term performance of your boat and to keep the warranty intact, the procedures described in the "Wet Conditions Maintenance" section must be performed regularly.

CAUTION: Failure to exercise caution while using this product and complying with the following precautions could result in product malfunction and/or void the warranty.

General Precautions

- Read the **WET CONDITIONS MAINTENANCE** procedures and make sure that you have all the tools you will need to properly maintain your boat.
- Not all batteries can be used in wet conditions. Consult the battery manufacturer before use. Caution should be taken when using Li-Po batteries in wet conditions.
- Most transmitters are not water-resistant. Consult your transmitter's manual or the manufacturer before operation.
- Never operate your transmitter or boat when lightning is present.
- Salt water is very conductive and highly corrosive. If you choose to run your boat in salt water, immediately rinse the boat in fresh water after each use. Operating your boat in salt water is at the sole discretion of the modeler.

Wet Conditions Maintenance

- Drain any water that has collected in the hull by removing the drain plug or canopy and tilting the boat in the appropriate direction to drain the water.

CAUTION: Always keep hands, fingers, tools and any loose or hanging objects away from rotating parts.

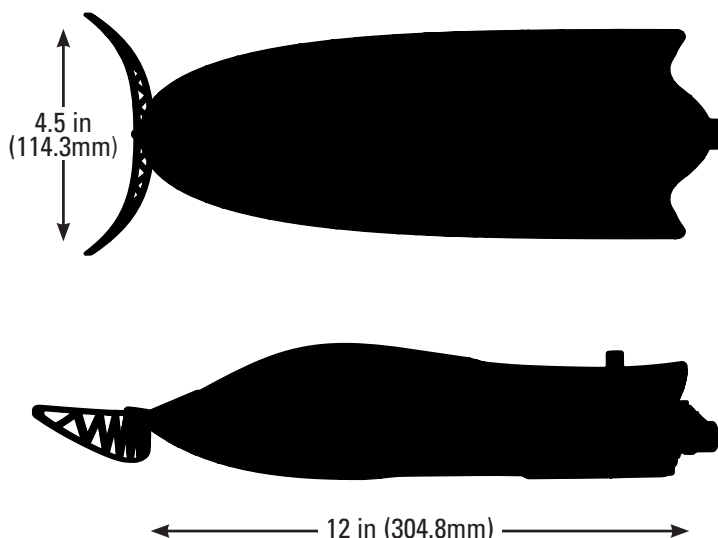
- Remove the battery pack(s) and dry the contacts. If you have an air compressor or a can of compressed air, blow out any water that may be inside the recessed connector housings.
- Dry and lubricate parts after every 30 minutes of operation or if the boat becomes submerged.

NOTICE: Never use a pressure washer to clean your boat.

- Use an air compressor or a can of compressed air to dry the boat and help remove any water that may have gotten into small crevices or corners.
- Spray the bearings, fasteners and other metal parts with a water-displacing light oil or lubricant.
- Let the boat air dry before you store it. Water (and oil) may continue to drip for a few hours.

Product Inspection

Carefully remove the boat and radio transmitter from the box. Inspect the boat for damage. If you find damage is present, please contact the retailer where you purchased your boat.

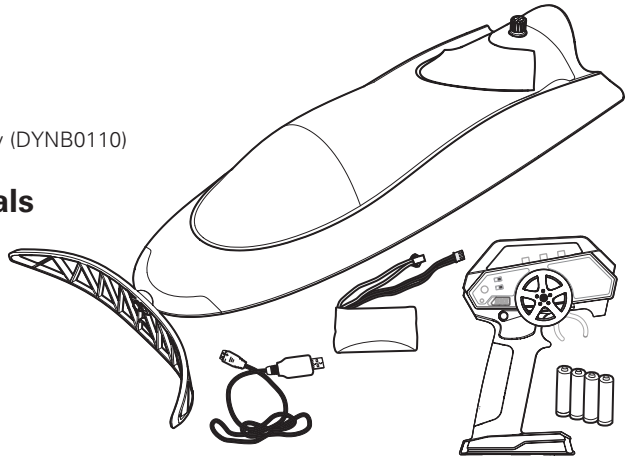


Box Contents

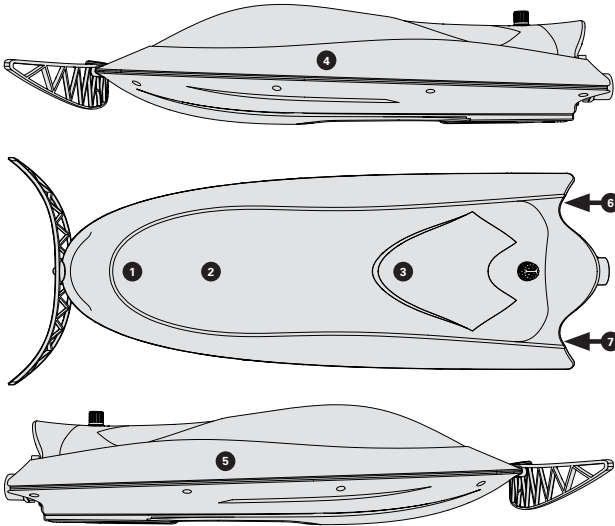
- ProBoat® Jet Jam™ 12-Inch RTR Pool Racer
- Horizon 2.4GHz Transmitter (HRZ00020)
- Horizon ESC/Receiver (HRZ00017)
- Horizon Servo (HRZ00009)
- Dynamite® 7.4 1500 mAh 2S 15C Li-Ion Battery (DYNB0110)
- ProBoat USB Charger (PRB18019)

Recommended Tools and Materials

- Needle nose pliers
- Paper towel
- Rubbing alcohol
- Phillips screwdriver: #1, #2
- Hex drivers: 1.5mm and 2mm
- Clear tape (DYNM0102)
- ProBoat® Marine Grease and Gun (DYNE4200)

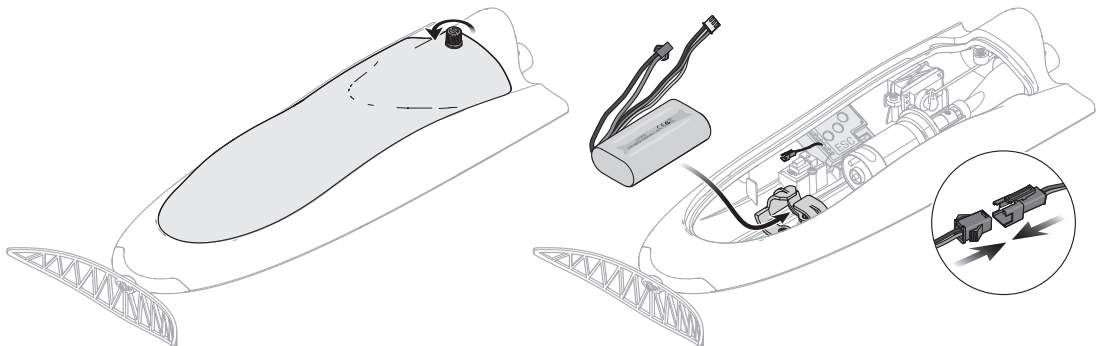


Placing the Decals



Installing the Battery Pack

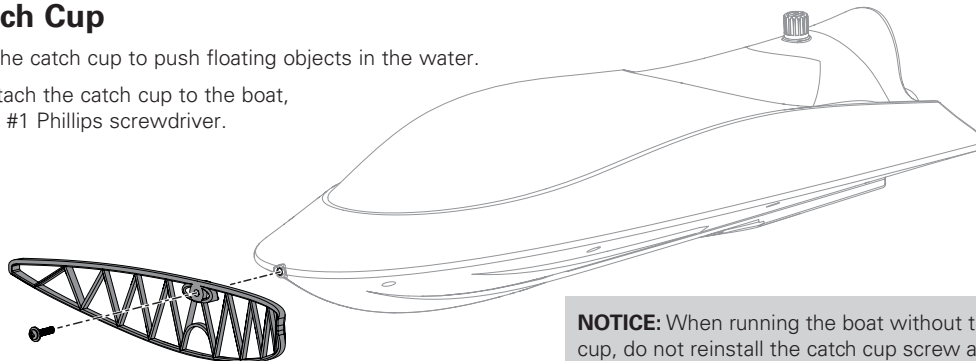
1. Remove the canopy from the hull by rotating the canopy latch to the left or right and pulling up on the back of the canopy.
2. Install the fully charged battery in the compartment by securing it into the battery cradle with the battery cable toward the front of the boat.
3. Connect the battery to the ESC/Receiver.



Catch Cup

Use the catch cup to push floating objects in the water.

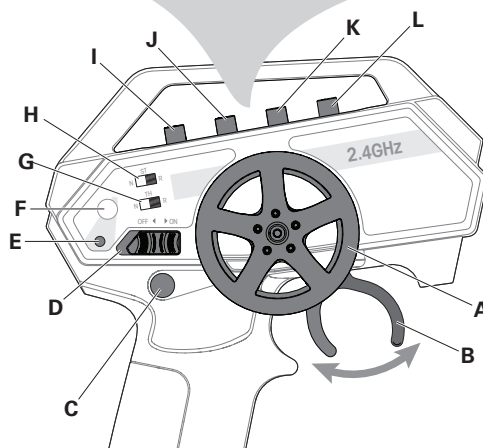
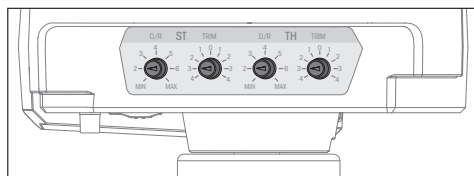
To attach the catch cup to the boat, use a #1 Phillips screwdriver.



NOTICE: When running the boat without the catch cup, do not reinstall the catch cup screw as it can scratch or rip swimming pool tiles or liners.

Transmitter Functions

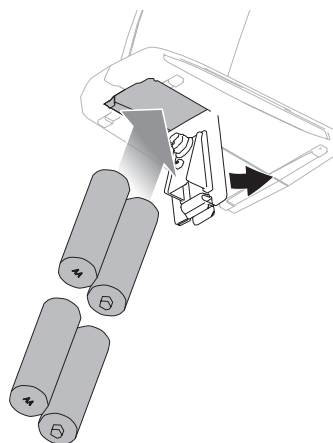
- A. Steering Wheel** Controls direction (left/right) of the model
- B. Throttle Trigger** Controls speed and direction (forward/brake/reverse) of the model
- C. Aux** Not used on the Jet Jam V2
- D. ON/OFF Switch** Turns the power ON/OFF
- E. Indicator Light**
 - **Solid red lights**—Indicates radio connectivity and adequate battery power
 - **Flashing red lights**—Indicates the battery voltage is critically low. Replace batteries
- F. Ch3 Activates Self-Righting Feature**
- G. TH Reverse** Reverses the function of the speed control when pulled back or pushed forward
- H. ST Reverse** Reverses the function of the steering when the wheel is turned left or right
- I. ST Rate** Adjusts the steering rate switch
- J. ST Trim** Adjusts the steering center point
- K. TH Rate** Adjusts the throttle limit switch
- L. TH Trim** Adjusts the throttle neutral point



Transmitter Battery Installation

This transmitter requires 4 AA batteries (**Not Included**).

1. Remove the battery cover from the transmitter.
2. Install the batteries as shown.
3. Install the battery cover.



CAUTION: Never remove the transmitter batteries while the model is powered ON. Loss of model control, damage, or injury may occur.

CAUTION: If using rechargeable batteries, charge only rechargeable batteries. Charging non-rechargeable batteries may cause the batteries to burst, resulting in injury to persons and/or damage to property.

CAUTION: Risk of explosion if battery is replaced by an incorrect type. Dispose of used batteries according to national regulations.

Charging the Battery

NOTICE: Charge only batteries that are cool to the touch and are not damaged. Inspect the battery to make sure it is not damaged e.g., swollen, bent, broken or punctured.



CAUTION: Only use chargers specifically designed to charge the included Li-Ion-Fe battery. Failure to do so could result in fire, causing injury or property damage.



CAUTION: Never exceed the recommended charge rate.

Use only the included USB charger to charge the battery.

1. Connect the charger to a suitable USB power port. The charger will work with most 5V mobile power sources or smartphone chargers with at least 1 amp of power output.

NOTICE: Charging the battery with a USB power port with less than 1 amp of power output can produce heat.

2. Connect the charge lead to the battery, noting correct polarity. Charging a fully discharged battery takes approximately 60–90 minutes. Charge times may vary depending on the power source.
3. Remove the battery from the charger when the charging cycle is complete.
4. Remove the charger from the power supply.



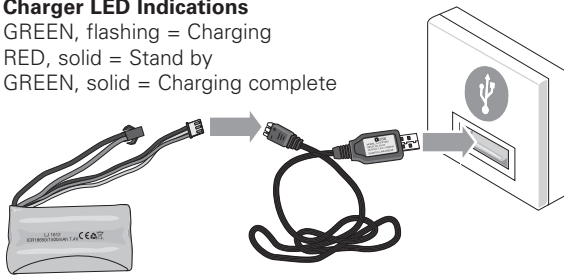
CAUTION: Once charging is complete, immediately remove the battery. Never leave a battery connected to the charger.

Charger LED Indications

GREEN, flashing = Charging

RED, solid = Stand by

GREEN, solid = Charging complete



Charging Warnings



CAUTION: All instructions and warnings must be followed exactly. Mishandling of Li-Ion-Fe batteries can result in a fire, personal injury and/or property damage.

- **NEVER LEAVE CHARGING BATTERIES UNATTENDED.**
- **NEVER CHARGE BATTERIES OVERNIGHT.**
- By handling, charging or using the included Li-Ion-Fe battery, you assume all risks associated with lithium batteries.
- If at any time the battery begins to balloon or swell, discontinue use immediately. If charging or discharging, discontinue and disconnect. Continuing to use, charge or discharge a battery that is ballooning or swelling can result in fire.
- Always store the battery at room temperature in a dry area for best results.
- Always transport or temporarily store the battery in a temperature range of 40–120° F (5–49° C).
- Do not store battery or model in a car or direct sunlight. If stored in a hot car, the battery can be damaged or even catch fire.
- Always charge batteries away from flammable materials.
- Always inspect the battery before charging.
- Always disconnect the battery after charging, and let the charger cool between charges.
- Always constantly monitor the temperature of the battery pack while charging.
- **ONLY USE A CHARGER SPECIFICALLY DESIGNED TO CHARGE LI-ION-FE BATTERIES.** Failure to charge the battery with a compatible charger may cause a fire resulting in personal injury and/or property damage.
- Never discharge Li-Ion-Fe cells to below 3V under load.
- Never cover warning labels with hook and loop strips.
- Never charge batteries outside recommended levels.
- Never charge damaged batteries.
- Never attempt to dismantle or alter the charger.
- Never allow minors to charge battery packs.
- Never charge batteries in extremely hot or cold places (recommended between 40–120° F or [5–49° C]) or place in direct sunlight.

Low Voltage Cutoff (LVC)

Discharging a Li-Ion-Fe battery below 3V per cell may damage the battery. The included ESC protects the boat battery from over-discharge using Low Voltage Cutoff (LVC). Before the battery charge decreases too much, LVC removes power supplied to the motor.

Power to the motor will be reduced significantly, showing that the battery has reached the minimum LVC threshold. The ESC is programmed to allow enough battery power to return to shore, at no more than ¼ throttle.

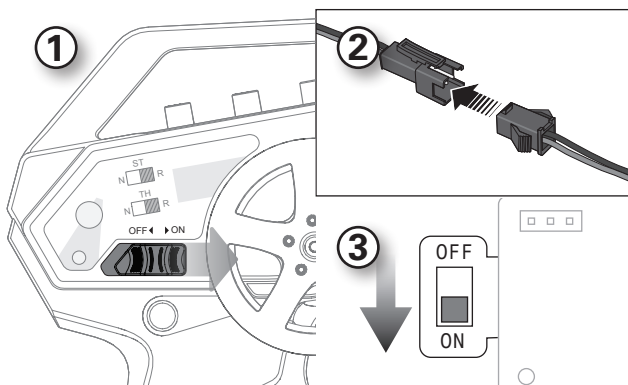
Disconnect and remove the Li-Ion-Fe battery from the boat after use to prevent trickle discharge. Charge your Li-Ion-Fe battery to about half capacity before storage. During storage, make sure the battery charge does not fall below 3V per cell. LVC does not prevent the battery from over-discharge during storage.

NOTICE: Repeated operation to LVC will damage the battery.

Tip: Monitor your boat battery's voltage before and after boating by using a Li-Ion-Fe Cell Voltage Checker (EFLA111, sold separately).

Getting Started

1. Power on the transmitter.
2. Connect the battery to the ESC.
3. Power on the ESC switch.



Range Check

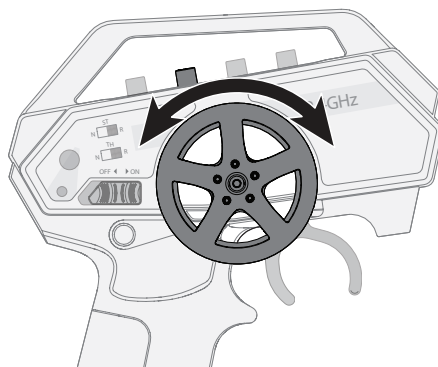
IMPORTANT: Perform a range check at the beginning of each boating session, after repair or after installation of a new battery.

Ensure that the battery is fully charged.

With the radio system powered on and connected, walk away from your boat 90 feet (32 m).

Have an assistant remain with the boat to check for proper control movement of the steering mechanism in response to your transmitter input.

If everything appears to be operating correctly, prepare to operate the boat in the water.



Testing Your Boat in the Water

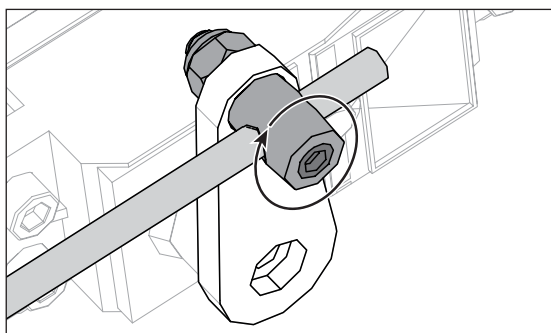
Tip: Before placing your boat in the water, secure the canopy on the hull. Apply clear tape (DYNAM0102) around the canopy seam, if desired.

1. Carefully place the boat in the water.
2. If the boat does not go straight, adjust the steering trim dial on the transmitter.

Tip: If you are using excessive steering trim on your transmitter to make the boat drive straight, return the trim to neutral and mechanically center the rudder. To do this, use a 1.5mm hex driver to loosen the set screw holding the push rod to the servo. Adjust the linkage in or out of the brass barrel until the rudder is centered. Tighten the set screw using a 1.5mm hex driver.

3. Retrieve the boat when it begins to lose speed.
4. Power off the ESC and disconnect the battery.

NOTICE: Always power OFF the receiver before powering OFF the transmitter. If the transmitter is powered OFF before the boat, the receiver will enter failsafe mode.



Boating Tips

This boat is intended for use in pools or small ponds but can be used in any body of water.

- Follow **Self-Righting** instructions if your boat flips.
- Apply a small burst of throttle if your boat has air in the jet pump. The boat will start moving under its own power once the pump is full of water.
- Do not run your boat in water full of people.

WARNING: The boat can cause bodily harm if it comes in contact with a person's body or hair.

- Do not run your boat directly in to the side of a tile-lined pool.
- Do not run your boat in a pond with floating debris or tall grass.

Unlike ruddered steerable boats, jet boats must have power applied to the motors in order for the boat to turn. When making turns, decrease the throttle to reduce the probability of flipping the boat over. The boat will not steer when coasting off power.

Never operate your boat in less than 3 inches (7.6 cm) of water.

CAUTION: Running your boat in shallow water increases the chance of debris entering the jet pump. Verify that the jet pumps are free of debris, as operating the boat with a blocked jet drive for a prolonged period will damage the motor and ESC.

CAUTION: Never operate your boat in extreme temperatures or turbulent water.

WARNING: Never attempt to retrieve a downed boat by swimming unless you are sufficiently trained and/or there is another person available to respond in the case of an emergency.

Self-Righting

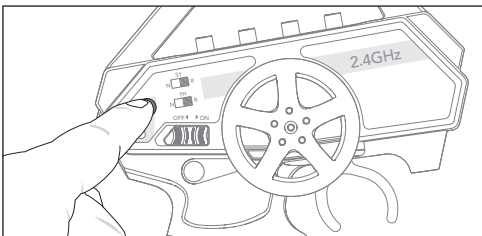
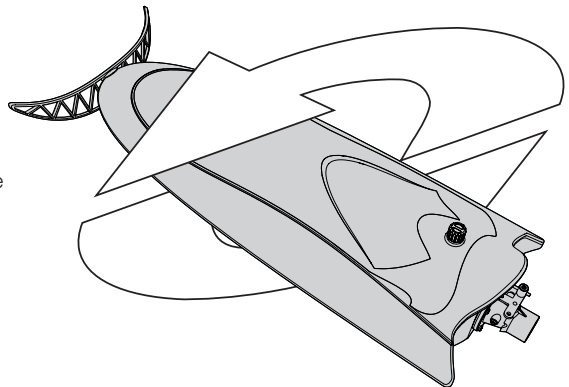
The Jet Jam V2 features an auto self-righting feature. This feature is most effective at or above half power.

To engage the self-righting feature:

Press and hold the CH3 button on your transmitter, and the boat will self-right.

Once the boat has flipped upright, release the CH3 button to resume normal operation.

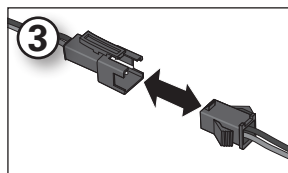
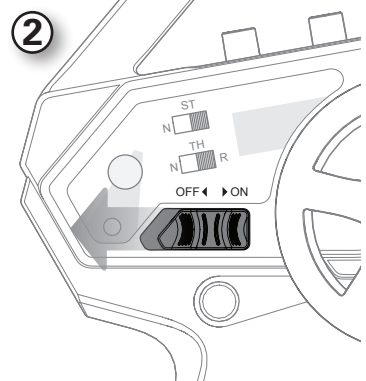
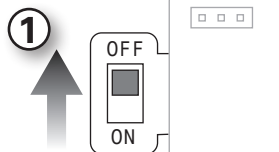
If you are below half power, use the throttle and brake normally to self-right the boat. Pulse the throttle and brake alternatively, and the boat will self-right.



When You Are Finished

1. Power off the receiver/ESC.
2. Power off the transmitter.
3. Disconnect and remove the battery from the boat.

Tip: Always remove the hatches before storage or moisture may allow mold and mildew to grow in the boat. If you wish to display your boat, you can reinstall the hatches once it is dry.



After Boating and Maintenance

- Fully dry the inside and outside of the boat.
- Remove the hatch before storing your boat.
- Repair any damage or wear to the boat.
- Lubricate the driveshaft using ProBoat Marine Grease (DYNE4200).
- Make note of lessons learned from the trimming of your boat, including water and wind conditions.

NOTICE: When you are finished boating, never leave the boat in direct sunlight or in a hot, enclosed area such as a car. Doing so can damage the boat.

Binding

Binding is the process of programming the receiver/ESC to recognize the GUID (Globally Unique Identifier) code of a single specific transmitter. The transmitter and receiver/ESC are bound at the factory.

If you need to rebind the binding process is automated, there is no bind plug or button on the receiver.

1. Hold Aux 3 on TX and power on, the LED on the transmitter will flash, indicating it is in bind mode.
2. Power on the ESC/RX, the LED will flash until bound.
3. Restart the transmitter to complete the binding process.

You must rebind when:

- When you want different failsafe positions (e.g. when throttle or steering reverse has been changed).
- Binding the receiver to a different transmitter.

NOTICE: Do not attempt to bind the transmitter and receiver/ESC if there are other compatible transmitters in bind mode within 400 feet. Doing so may result in unexpected binding.

Failsafe

In the unlikely event that the radio connection is lost during use, the receiver will drive the servos to their pre-programmed failsafe positions (normally no throttle and straight steering).

If the receiver is powered on before powering on the transmitter, the receiver enters Failsafe mode. When the transmitter is powered on, normal control is resumed.

IMPORTANT: Failsafe activates only in the event that signal is lost from the transmitter. Failsafe will NOT activate in the event that receiver battery power decreases below the recommended minimums or power to the receiver is lost.

Motor Care

- Prolong motor life by preventing overheating conditions.
- Regularly lubricate (DYNE0100) the bushings on each end of the motor and more frequently when the motor is wet. Failure to do so may cause the motor shaft to seize in the bushings.
- Use water displacement fluid to flush any water from the motor compartment.

Drivetrain Lubrication

Always replace the drivetrain parts when they are damaged or show visible wear or injury and damage may result.

Lubricating the driveshaft is vital to the life of the drivetrain. The lubricant also acts as a water seal, keeping water from entering the hull through the stuffing tube.

1. Use a #1 Phillips screwdriver to remove the 4 screws from the jet pump nozzle.
2. Hold the jet pump nozzle at the base and gently pull it away from the hull to unhook it from the steering link.

Tip: When removing the jet pump nozzle, move the servo arm so that it provides slack to the steering link and allows you to pull the nozzle away from the boat. You do not need to remove the steering links from the jet pump nozzle to service the propeller shaft.

3. Use a 2mm driver to remove the grub screw from the shaft side of the motor coupler. You do not need to remove the grub screw from the motor end of the coupler unless you are removing the motor or replacing the coupler.
4. Free the propeller drive shaft from the motor coupling and gently grip the shaft to pull it away from the motor coupler.
5. Lubricate the half of the propeller shaft that inserts into the motor coupling with marine grease (DYNE4200 or DYNE4201).

Tip: There is no need to lubricate more than half of the length of the propeller shaft because only half of the propeller shaft is contained in the jet pump housing.

IMPORTANT: Excessively greasing the shaft can cause grease accumulation in the jet pump housing,

which can cause water-flow restriction through the jet pump. It will not damage the drive system, but it may decrease water flow through the jet pump, or attract debris that will stick to the grease.

6. Reinsert the propeller shaft into the pump housing using the hole on the motor coupler. Use the grub screws thread as a guide to find the flat spot on the drive shaft to determine how far to insert the shaft into the coupler.

IMPORTANT: Ensure that the flat spot on the shaft is oriented correctly. Do not screw in the motor coupler grub screw until Step 9.

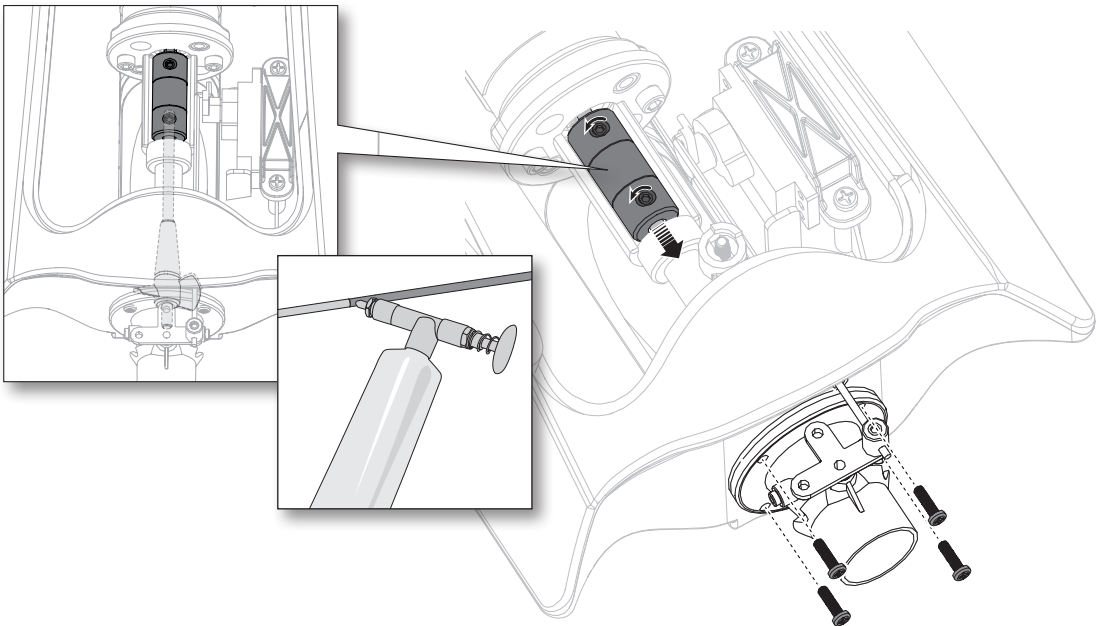
NOTICE: Do not push the propeller shaft too far into the coupling or it can bind against the jet pump housing, causing damage.

7. Lubricate the jet pump nozzle bushing with a small dab of marine grease. This metal bushing supports the rear end of the driveshaft.
8. Use a #1 Phillips screwdriver to carefully reinstall the jet pump nozzle.
9. Use a 2mm hex driver to install and tighten the motor coupler grub screws.
10. Power the boat and apply a small amount of throttle to ensure the shaft is inserted properly.

Do not touch the pump housing.

NOTICE: Running the boat in saltwater could cause some parts to corrode. If you run the boat in saltwater, rinse it thoroughly in freshwater after each use and lubricate the drive system. You can also use water displacement spray to help prevent the parts from corroding.

NOTICE: Because of its corrosive effects, running RC boats in saltwater is at the discretion of the modeler.



Troubleshooting Guide

Problem	Possible Cause	Solution
Boat will not respond to throttle but responds to other controls	Wet motor causes bushings to seize	Remove motor and apply penetrating oil to both ends of the motor. Rotate the motor shaft by hand to break the corrosive bond between the motor shaft and the bushings
	Debris blocking a jet pump	Remove the jet pump nozzle, remove debris and verify that nothing prevents the propeller from turning
Extra noise or extra vibration	Damaged propeller, shaft or motor	Replace damaged parts
	Propeller is out of balance	Balance or replace propeller
Reduced runtime or boat underpowered	Boat battery charge is low	Completely recharge battery
	Boat battery is damaged	Replace boat battery and follow battery instructions
	Blocking or friction on shaft or propeller	Disassemble, lubricate and correctly align parts
	Boat conditions may be too cold	Make sure the battery is warm (above 10° C [50° F]) before use
	Battery capacity may be too low for conditions	Replace battery or use a larger capacity battery
	Too little lubrication on driveshaft	Fully lubricate driveshaft
Boat will not Bind (during binding) to transmitter	Vegetation or other obstacles block the propeller	Remove vegetation or obstacles from propeller
	Transmitter is too near boat during binding process	Move powered transmitter a few feet from boat, disconnect and reconnect battery to boat
	Boat or transmitter is too close to large metal object, wireless source or another transmitter	Move the boat and transmitter to another location and attempt binding again
	Another compatible transmitter is powered on within range of the receiver	Power off all compatible transmitters except the one you are trying to bind
	Boat battery/transmitter battery charge is too low	Replace/recharge batteries
Boat will not connect (after binding) to transmitter	ESC switch is off	Power on ESC switch
	Transmitter is too near boat during connecting process	Move powered transmitter a few feet from boat, disconnect and reconnect battery to boat
	Boat or transmitter is too close to large metal object, wireless source or another transmitter	Move boat or transmitter to another location and attempt to connect again
	Boat battery/transmitter battery charge is too low	Replace/recharge batteries
Boat tends to dive in the water or takes on water	ESC switch is off	Power on ESC switch
	The boat hull is not completely closed	Dry out the boat and ensure the hatch is fully closed on the hull before returning the boat to the water
Boat tends to turn one direction	Center of gravity is too far forward	Move battery back in the hull
	Debris is blocking a jet pump	Remove debris from the jet pump
Motor overheats	Bushings have seized	Lubricate motor bushings
Motor power pulses then motor loses power	Weather conditions might be too cold	Postpone until weather is warmer
	Battery is old, worn out or damaged	Replace battery

Limited Warranty

What this Warranty Covers

Horizon Hobby, LLC, (Horizon) warrants to the original purchaser that the product purchased (the "Product") will be free from defects in materials and workmanship at the date of purchase.

What is Not Covered

This warranty is not transferable and does not cover (i) cosmetic damage, (ii) damage due to acts of God, accident, misuse, abuse, negligence, commercial use, or due to improper use, installation, operation or maintenance, (iii) modification of or to any part of the Product, (iv) attempted service by anyone other than a Horizon Hobby authorized service center, (v) Product not purchased from an authorized Horizon dealer, or (vi) Product not compliant with applicable technical regulations or (vii) use that violates any applicable laws, rules, or regulations.

OTHER THAN THE EXPRESS WARRANTY ABOVE, HORIZON MAKES NO OTHER WARRANTY OR REPRESENTATION, AND HEREBY DISCLAIMS ANY AND ALL IMPLIED WARRANTIES, INCLUDING, WITHOUT LIMITATION, THE IMPLIED WARRANTIES OF NON-INFRINGEMENT, MERCHANTABILITY AND FITNESS FOR A PARTICULAR PURPOSE. THE PURCHASER ACKNOWLEDGES THAT THEY ALONE HAVE DETERMINED THAT THE PRODUCT WILL SUITABLY MEET THE REQUIREMENTS OF THE PURCHASER'S INTENDED USE.

Purchaser's Remedy

Horizon's sole obligation and purchaser's sole and exclusive remedy shall be that Horizon will, at its option, either (i) service, or (ii) replace, any Product determined by Horizon to be defective. Horizon reserves the right to inspect any and all Product(s) involved in a warranty claim. Service or replacement decisions are at the sole discretion of Horizon. Proof of purchase is required for all warranty claims. SERVICE OR REPLACEMENT AS PROVIDED UNDER THIS WARRANTY IS THE PURCHASER'S SOLE AND EXCLUSIVE REMEDY.

Limitation of Liability

HORIZON SHALL NOT BE LIABLE FOR SPECIAL, INDIRECT, INCIDENTAL OR CONSEQUENTIAL DAMAGES, LOSS OF PROFITS OR PRODUCTION OR COMMERCIAL LOSS IN ANY WAY, REGARDLESS OF WHETHER SUCH CLAIM IS BASED IN CONTRACT, WARRANTY, TORT, NEGLIGENCE, STRICT LIABILITY OR ANY OTHER THEORY OF LIABILITY, EVEN IF HORIZON HAS BEEN ADVISED OF THE POSSIBILITY OF SUCH DAMAGES. Further, in no event shall the liability of Horizon exceed the individual price of the Product on which liability is asserted. As Horizon has no control over use, setup, final assembly, modification or misuse, no liability shall be assumed nor accepted for any resulting damage or injury. By the act of use, setup or assembly, the user accepts all resulting liability. If you as the purchaser or user are not prepared to accept the liability associated with the use of the Product, purchaser is advised to return the Product immediately in new and unused condition to the place of purchase.

Law

These terms are governed by Illinois law (without regard to conflict of law principals). This warranty gives you specific legal rights, and you may also have other rights which vary from state to state. Horizon reserves the right to change or modify this warranty at any time without notice.

WARRANTY SERVICES

Questions, Assistance, and Services

Your local hobby store and/or place of purchase cannot provide warranty support or service. Once assembly, setup or use of the Product has been started, you must contact your local

distributor or Horizon directly. This will enable Horizon to better answer your questions and service you in the event that you may need any assistance. For questions or assistance, please visit our website at www.horizonhobby.com, submit a Product Support Inquiry, or call the toll free telephone number referenced in the Warranty and Service Contact Information section to speak with a Product Support representative.

Inspection or Services

If this Product needs to be inspected or serviced and is compliant in the country you live and use the Product in, please use the Horizon Online Service Request submission process found on our website or call Horizon to obtain a Return Merchandise Authorization (RMA) number. Pack the Product securely using a shipping carton. Please note that original boxes may be included, but are not designed to withstand the rigors of shipping without additional protection. Ship via a carrier that provides tracking and insurance for lost or damaged parcels, as Horizon is not responsible for merchandise until it arrives and is accepted at our facility. An Online Service Request is available at http://www.horizonhobby.com/content/service-center_render-service-center. If you do not have internet access, please contact Horizon Product Support to obtain a RMA number along with instructions for submitting your product for service. When calling Horizon, you will be asked to provide your complete name, street address, email address and phone number where you can be reached during business hours. When sending product into Horizon, please include your RMA number, a list of the included items, and a brief summary of the problem. A copy of your original sales receipt must be included for warranty consideration. Be sure your name, address, and RMA number are clearly written on the outside of the shipping carton.

NOTICE: Do not ship Li-Po batteries to Horizon. If you have any issue with a Li-Po battery, please contact the appropriate Horizon Product Support office.

Warranty Requirements

For Warranty consideration, you must include your original sales receipt verifying the proof-of-purchase date. Provided warranty conditions have been met, your Product will be serviced or replaced free of charge. Service or replacement decisions are at the sole discretion of Horizon.

Non-Warranty Service

Should your service not be covered by warranty, service will be completed and payment will be required without notification or estimate of the expense unless the expense exceeds 50% of the retail purchase cost. By submitting the item for service you are agreeing to payment of the service without notification. Service estimates are available upon request. You must include this request with your item submitted for service. Non-warranty service estimates will be billed a minimum of ½ hour of labor. In addition you will be billed for return freight. Horizon accepts money orders and cashier's checks, as well as Visa, MasterCard, American Express, and Discover cards. By submitting any item to Horizon for service, you are agreeing to Horizon's Terms and Conditions found on our website http://www.horizonhobby.com/content/service-center_render-service-center.

ATTENTION: Horizon service is limited to Product compliant in the country of use and ownership. If received, a non-compliant Product will not be serviced. Further, the sender will be responsible for arranging return shipment of the un-serviced Product, through a carrier of the sender's choice and at the sender's expense. Horizon will hold non-compliant Product for a period of 60 days from notification, after which it will be discarded.

Warranty and Service Contact Information*

Country of Purchase	Horizon Hobby	Contact Information	Address
United States of America	Horizon Service Center (Repairs and Repair Requests)	servicecenter.horizonhobby.com/RequestForm/	2904 Research Rd. Champaign, Illinois, 61822 USA
	Horizon Product Support (Product Technical Assistance)	productsupport@horizonhobby.com 877-504-0233	
	Sales	websales@horizonhobby.com 800-338-4639	
EU	Horizon Technischer Service	service@horizonhobby.de	Hanskampring 9 D 22885 Barsbüttel, Germany
	Sales: Horizon Hobby GmbH	+49 (0) 4121 2655 100	

*For the most up-to-date customer service contact information, please visit:
www.horizonhobby.com/content/service-center-render-service-center

FCC Information

FCC ID: 2A2UNHYMG400

This equipment complies with FCC and IC radiation exposure limits set forth for an uncontrolled environment. This equipment should be installed and operated with minimum distance 20cm between the radiator and/or antenna and your body (excluding fingers, hands, wrists, ankles and feet). This transmitter must not be co-located or operating in conjunction with any other antenna or transmitter.

Supplier's Declaration of Conformity

Pro Boat Jet Jam V2, RTR (PRB08031V2)

This device complies with part 15 of the FCC Rules. Operation is subject to the following two conditions: (1) This device may not cause harmful interference, and (2) this device must accept any interference received, including interference that may cause undesired operation.

CAUTION: Changes or modifications not expressly approved by the party responsible for compliance could void the user's authority to operate the equipment.

NOTE: This equipment has been tested and found to comply with the limits for a Class B digital device, pursuant to part 15 of the FCC Rules. These limits are designed to provide reasonable protection against harmful interference in a residential installation.

This equipment generates, uses and can radiate radio frequency energy and, if not installed and used in accordance with the instructions, may cause harmful interference to radio communications. However, there is no guarantee that interference will not occur in a particular installation. If this equipment does cause harmful interference to radio or television reception, which can be determined by turning the equipment off and on, the user is encouraged to try to correct the interference by one or more of the following measures:

- Reorient or relocate the receiving antenna.
- Increase the separation between the equipment and receiver.
- Connect the equipment into an outlet on a circuit different from that to which the receiver is connected.
- Consult the dealer or an experienced radio/TV technician for help.

Horizon Hobby, LLC
 2904 Research Rd., Champaign, IL 61822
 Email: compliance@horizonhobby.com
 Web: HorizonHobby.com

IC Information

CAN ICES-3 (B)/NMB-3(B)

IC: 25584-HYMG400

This device contains license-exempt transmitter(s)/receivers(s) that comply with Innovation, Science, and Economic Development Canada's license-exempt RSS(s). Operation is subject to the following 2 conditions:

1. This device may not cause interference.
2. This device must accept any interference, including interference that may cause undesired operation of the device.

Compliance Information for the European Union


CE EU Compliance Statement:
Pro Boat Jet Jam V2, RTR (PRB08031V2)
Hereby, Horizon Hobby, LLC declares that the device is in compliance with the following: Low Voltage Directive (LVD) 2014/35/EU, 2014/30/EU EMC Directive, Radio Equipment Directive (RED) 2014/53/EU, RoHS 2 Directive 2011/65/EU, RoHS 3 Directive - Amending 2011/65/EU Annex II 2015/863

The full text of the EU declaration of conformity is available at the following internet address: <https://www.horizonhobby.com/content/support-render-compliance>.

NOTE: This product contains batteries that are covered under the 2006/66/EC European Directive, which cannot be disposed of with normal household waste. Please follow local regulations.

Wireless Frequency Range and Wireless Output Power:
Transmitter:
2408-2475MHz
19.62 dBm

EU Manufacturer of Record:
Horizon Hobby, LLC
2904 Research Road
Champaign, IL 61822 USA
EU Importer of Record:
Horizon Hobby, GmbH
Hanskampring 9
22885 Barsbüttel Germany

WEEE NOTICE:
 This appliance is labeled in accordance with European Directive 2012/19/EU concerning waste of electrical and electronic equipment (WEEE). This label indicates that this product should not be disposed of with household waste. It should be deposited at an appropriate facility to enable recovery and recycling.



Replacement Parts / Ersatzteile / Pièces de rechange / Pezzi di ricambio

Part #	English	Deutsch	Français	Italiano
DYNB0110	7.4V 1500 mAh 2S Li-Ion	7,4 V 1500 mA 2S Lilon	Li-Ion 7,4V 1500 mAh 2S	7,4V 1500 mAh 2S Li-Ion
DYNS1211	Tazer 390 Motor 22T	Tazer 390 Motor 22T	390 Motor 22T Tazer	Tazer 390 Motor 22T
HRZ00017	ESC/Rx	Geschwindigkeitsregler/Rx	ESC/Rx	ESC/Rx
HRZ00009	Servo	Servo	Servos	Servocomandi
PRB18019	USB Charger	USB-Ladegerät	Chargeur USB	Caricabatterie USB
HRZ00020	2.4GHz Transmitter	2,4 GHz Sender	Émetteur 2,4 GHz	Trasmittente da 2,4 GHz
PRB281061	Hull	Rumpf	Coque	Scafo
PRB281062	Canopy	Capottina	Verrière	Verdeck
PRB282043	Impeller	Elica	Turbine	Laufrad
PRB282050	Jet Nozzle	Jetdüse	Tuyère	Ugello
PRB286040	Motor Coupler 2.3mm x 3mm	Motorkupplung 2,3 mm x 3 mm	Coupleur moteur 2,3 mm x 3 mm	Attacco motore da 2,3 mm x 3 mm

Recommended Parts / Empfohlene Teile / Pièces recommandées / Pezzi consigliati

Part #	English	Deutsch	Français	Italiano
DUB2155	Ball Wrench, Metric: 2.5mm	Sechskantschlüssel mit Kugelform, metrisch: 2,5 mm	Clé sphérique, métrique : 2,5 mm	Chiave a sfera: 2,5 mm
DYN2814	Hex Driver: 1.5mm	Sechskantschlüssel: 1,5mm	Clé à six pans : 1,5 mm	Cacciavite esagonale: 1,5 mm
DYN2828	Screwdriver: #1 Phillips	Schraubenzieher: Nr. 1-Kreuzschlitz	Tournevis : Phillips, n°1	Cacciavite: a croce #1
DYNE4200	Grease Gun w/ Marine Grease (5oz)	Fettpresse mit Marine Grease 142 g (5 oz)	Pistolet avec graisse marine 140g	Pistola sparagraso con grasso marino 5 oz
DYNT2071	Ball Wrench, Metric: 2.5mm	Sechskantschlüssel mit Kugelform, metrisch: 2,5 mm	Clé sphérique, métrique : 2,5 mm	Chiave a sfera: 2,5 mm

Optional Parts / Diverse Teile / Pièces optionnelles / Pezzi opzionali

Part #	English	Deutsch	Français	Italiano
DYNT0502	Start Up Tool Set: Proboat	Anfänger-Werkzeugsatz	Set d'outils de démarrage	Set attrezzi
DYNM0102	Clear Flex Marine Tape (18M)	Transparentes, flexibles Marine Tape (18 m)	Adhésif Marin transparent flexible (18M)	Nastro marino flessibile trasparente (18 m.)
EFLA111	LiPo Cell Voltage Checker	Li-Po-Zelle Spannungsprüfer	Testeur de tension d'élément Li-Po	Strumento controllo voltaggio batterie LiPo

385766.1

Updated: 04/2022

©2022 Horizon Hobby LLC.

Pro Boat, the Pro Boat logo, Jet Jam, Tazer, Dynamite and the Horizon Hobby logo are trademarks or registered trademarks of Horizon Hobby, LLC. The Spektrum trademark is used with permission of Bachmann Industries, Inc. All other trademarks, service marks and logos are property of their respective owners. Patents pending.