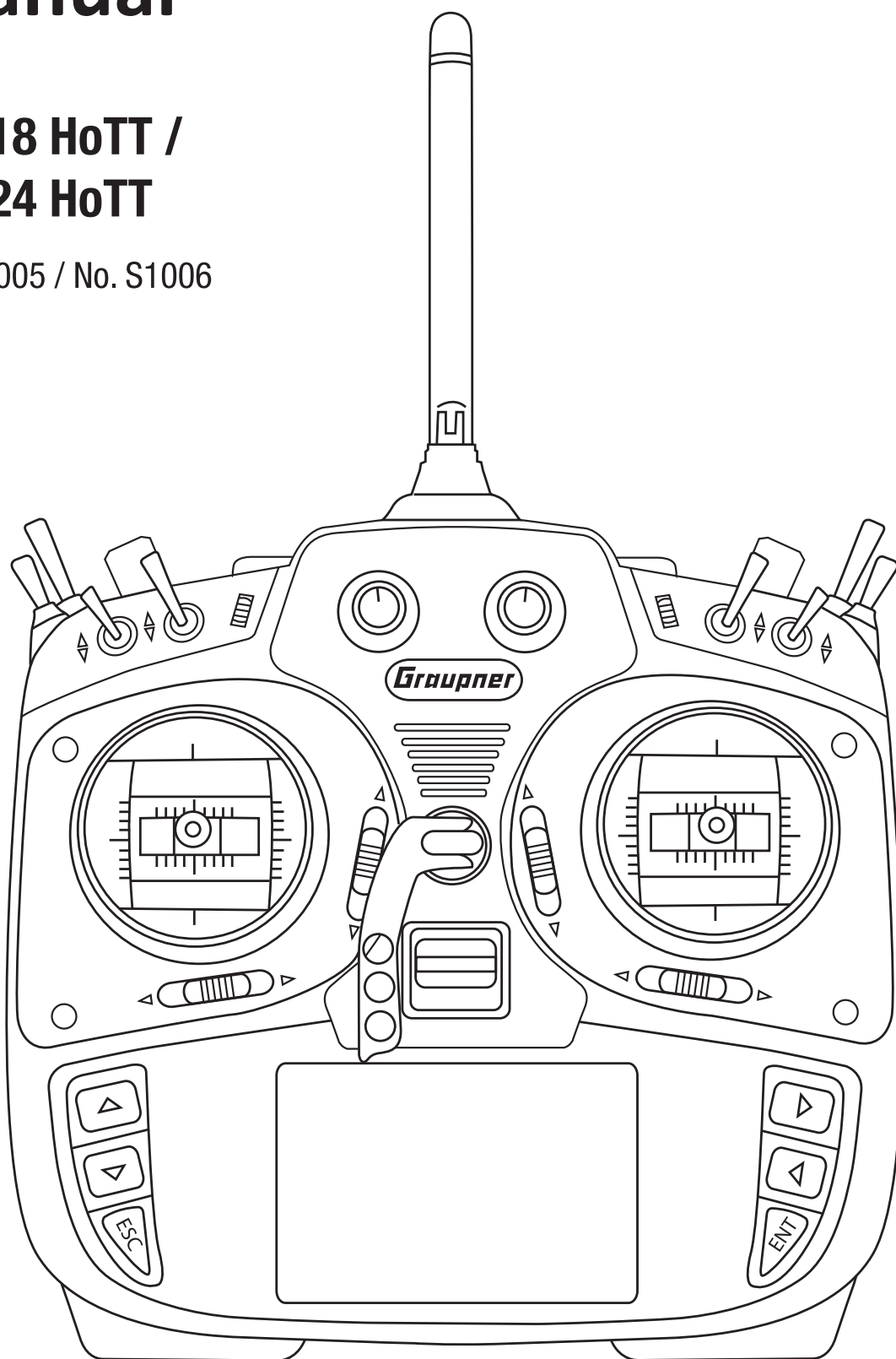


Manual

**mz-18 HoTT /
mz-24 HoTT**

No. S1005 / No. S1006



Index

Introduction	5
Service Centre	5
Intended use	6
Target group	6
Package content	6
Technical Data	7
Declaration of conformity	7
Symbols explication	8
Safety notes	8
For your safety by handling the transmitter	9
For your safety by handling the battery	10
Description of the transmitter	12
Control elements on the transmitter	12
Connection on the back side	13
Data socket	13
Ear phones port.....	13
Card slot.....	13
Mini-USB connection	14
DSC socket	15
Charging socket	15
Fixtures	15
Attaching the transmitter neck-strap.....	15
Commissioning	16
Settings by the first use	16
Switch on transmitter.....	16
Adjusting the control stick.....	17
Control sticks length adjustment.....	18
Transmitter power supply	18
Low voltage warning.....	18
Binding.....	18
Charging the transmitter battery	18
Removing transmitter battery	19
Inserting the transmitter battery	19
Charge possibilities.....	19

Battery use timer in the display	20
Use and menu functions	21
Operation of the key field	21
Entry lock	21
Digital trim	22
Display	22
Operation	22
Indications active/inactive fields	22
Display symbols.....	23
Firmware update	24
Transmitter software update	24
Notes on environmental protection	25
Care and maintenance	25
Warranty certificate	25

Introduction

Thank you very much for purchasing the **Graupner mz-18 / mz-24 HoTT transmitter**.

Read this manual carefully to achieve the best results with your transmitter and first of all to safely control your models. If you experience any trouble during operation, take the instructions to help or ask your dealer or **Graupner** Service Centre.



NOTICE

This manual is composed by two parts. Part 1 is contained in the product's package content. Part 2 can be found in its last version on www.graupner.com by the related item page.

Due to technical changes, the information may be changed in this manual without prior notice. Be always updated by checking periodically on our website, **www.graupner.com** to be always uptodate with the products and firmwares.

This product complies with national and European legal requirements.

To maintain this condition and to ensure safe operation, you must read and follow this user manual and all the safety notes before using the product!



NOTICE

This manual is part of that product. It contains important information concerning operation and handling. Keep these instructions for future reference and give it to third person in case you gave the product.

Service Centre

Graupner-Zentralservice

Deutschland UG

Süd Nord Strasse 63,
D-26907 Walchum, Germany
www.graupner-service.de

Servicehotline

(+49) (0) 59 39 - 959 919 0

Korea Center

202-809, 18, Bucheon-ro 198beon-gil,
Bucheon-si, Gyeonggi-do, Korea 14557

(+82) 32 - 623 - 0733

Graupner im Internet

For the service centers outside the above countries please refer to our website **www.graupner.com**

Intended use

This remote-control system may only be used for the purpose specified by the manufacturer for operation of remote control models without passengers. Any other type of use is impermissible and may damage the system and cause significant property damage and/or personal injury. No warranty or liability is therefore offered for any improper use not covered by these provisions.

Read through this entire manual before you attempt to install or use the transmitter.

Graupner constantly works on the development of all products; we reserve the right to change the item, its technology and equipment.

Target group

The product is not a toy. It is not suitable for children under 14 years. The operation of the **mz-18 / mz-24 HoTT transmitter** must be performed by experienced modelers. If you do not have sufficient knowledge about dealing with radio-controlled models, please contact an experienced modeler or a model club.

Package content

- ① Transmitter **mz-18 / mz-24 HoTT**
- ① Transmitter battery
- ① Battery charger
- ① Receiver (optional)
- ① USB Adapter/Interface
- ① USB cable
- ① Adapter cable
- ① Transmitter strap
- ① Pencil for display use
- ① Transmitter manual (Part 1)
- ① Receiver manual (optional)

Accessory for transmitter **mz-24 HoTT**:

- ① Micro SD card
- ① Micro SD card adapter
- ① Transport case

The programming manual (manual part 2) can be found in its last version on **www.graupner.com** by the related item page.

Technical Data

Transmitter mz-18 / 24 HoTT

Frequency band	2,4 ... 2,4835 GHz
Modulation	FHSS
Transmitting power	100 mW EIRP
Control functions	mz-18 HoTT: 9 functions of which 4 can be trimmed mz-24 HoTT: 12 functions of which 4 can be trimmed
Temperature range	-10 ... +55 °C
Antenna	Can be turned and folded
Operating voltage	3,4 ... 6 V
Power consumption	approx. 540 mA
Dimensions	approx. 194 x 287 x 112 mm
Weight	approx. 840 g with transmitter battery



Note

The technical data of the optional receiver are available in the manual included in the receiver package content.

Symbols explication



Always observe the information indicated by this warning sign. Particularly those which are additionally marked with the **CAUTION** or **WARNING**. The signal word **WARNING** indicates the potential for serious injury, the signal word **CAUTION** indicates possibility of lighter injuries.



The signal word **Note** indicates potential malfunctions. **ATTENTION** indicates potential damages to objects.

Safety notes



These safety instructions are intended not only to protect the product, but also for your own and other people's safety. Therefore please read this section very carefully before using the product!

- ⌚ Do not carelessly leave the packaging material lying around, since it might become a dangerous toy for children.
- ⌚ Persons, including children, with reduced physical, sensory or mental capabilities, or lack of experience or knowledge, or not capable to use safely the transmitter must not use the transmitter without supervision or instruction by a responsible person.
- ⌚ Operation and use of radio-controlled models needs to be learnt! If you have never operated a model of this type before, start carefully and make yourself familiar with the model's reactions to the remote control commands. Proceed always responsibly.
- ⌚ Before you start using the remote control model, you have to check the further relevant laws and regulations. These laws you must obey in every case. Pay attention to the possibly different laws of the countries.
- ⌚ The insurance is mandatory for all kinds of model operation. If you already have one, so please inform yourself if the operation of the respective model is covered by your insurance. If this is not the case, conclude a special liability insurance policy for models.

Inform yourself before flying your model on which maximum altitude you can fly in the uncontrolled airspace over the starting position and do not exceed it.

- ⌚ Protect all equipment from dust, dirt, moisture. All equipment must be protected from vibration as well as excessive heat or cold. The models may only be operated remotely in normal outside temperatures such as from -10°C to +55°C.
- ⌚ Always perform a range test and functional test on the ground before you use your model! Only so you ensure safe operation! To know how to perform a range check, please read Part 2 of the manual.
- ⌚ Use all HoTT components only with the current software version.
- ⌚ Save by each use of your model the log file. With a log file it is possible to trace possible occurring technical failures. Only so any claims can be considered.

For your safety by handling the transmitter



WARNING

Also while programming the transmitter, make sure that a connected motor cannot accidentally start. Disconnect the fuel supply or drive battery beforehand.



CAUTION

Risk of fire! Avoid every kind of short-circuit in all sockets of the transmitter! Use only the suitable connectors. In no case the electronic component of the transmitter may be changed or modified. Due to licensing reasons, any reconstruction and/or modification of the product is prohibited.



Note

During transport protect the model and the transmitter from damages.

For your safety by handling the battery



CAUTION

- ⌚ Protect all equipment from dust, dirt, moisture. Only use in dry locations.
- ⌚ Do not use any damaged battery. Risk of injury!
- ⌚ Any alterations to the battery can cause serious injury. Risk of fire!
- ⌚ Batteries may not be heated, burned, short-circuited or charged with excessive current or with reversed polarity.
- ⌚ While they are being charged, the batteries must be placed on a non-flammable, heat-resistant and non-conductive surface. Combustible or highly flammable objects are to be kept away from the charging area. Batteries must be monitored while they are being charged.
- ⌚ The maximum quick charging current specified for the respective cell type may not be exceeded.
- ⌚ If the battery heats up above 60°C while it is being charged, stop charging and let the battery cool down to approximately 30 - 40°C.
- ⌚ Never charge batteries that have already been charged, are hot or are not fully discharged. If a cell in a battery pack has become particularly hot following a quick-charge process, this may indicate a defect in that cell. Do not use the battery pack any more!
- ⌚ The batteries must not be modified. Do not directly solder or weld the cells.
- ⌚ If handled improperly, there is a danger of fire, explosion, irritation and burns. To extinguish a fire use: water, CO², sand.
- ⌚ Leaked electrolyte is caustic and should not be touched or come into contact with your eyes. In case of emergency, rinse with a large quantity of water and consult a Med. Doctor.
- ⌚ Always charge the battery fully.
- ⌚ The maximum charging current permitted may not be exceeded.
- ⌚ Never leave the charger unattended when it is connected to the power supply.
- ⌚ Batteries may only be charged in rooms fitted with smoke detector.

Special instructions

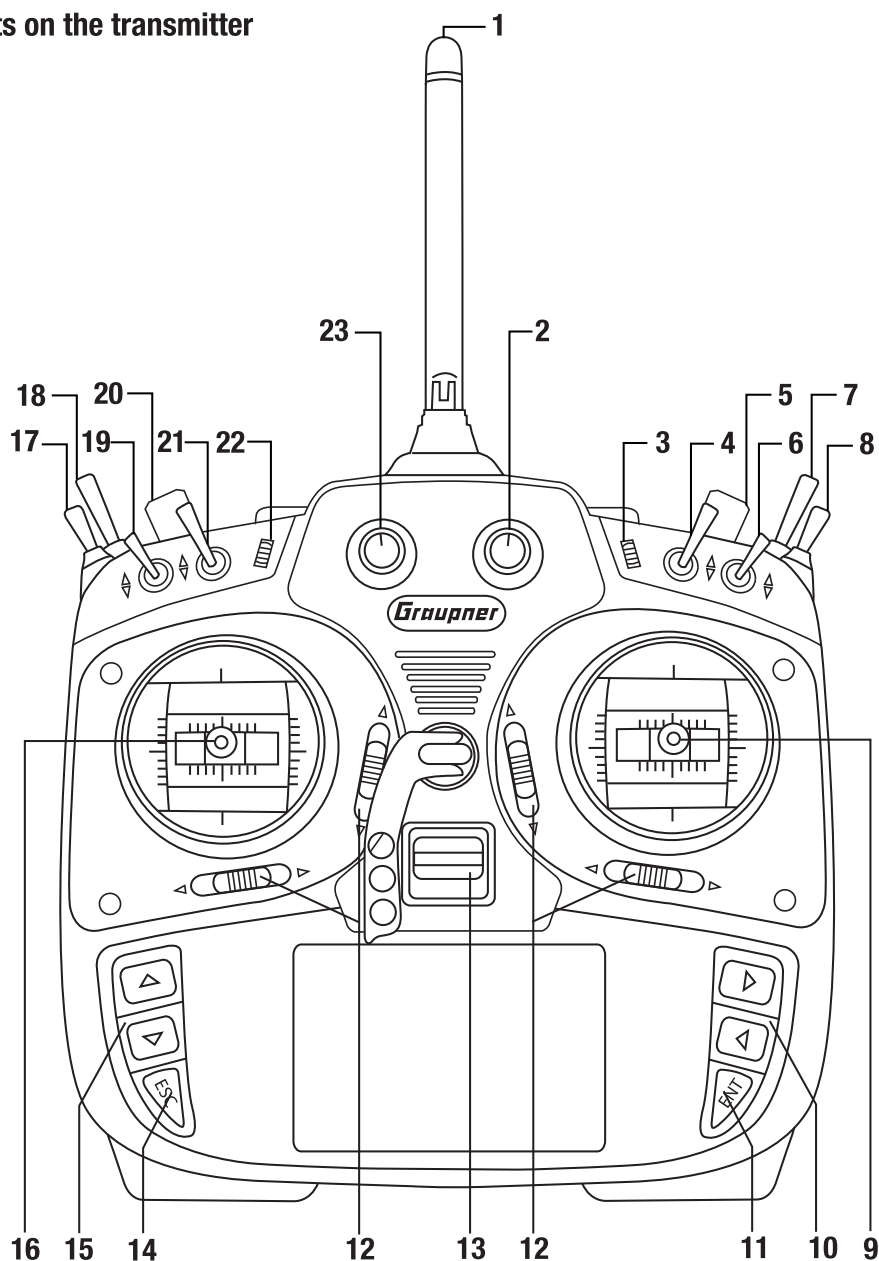
- ⌚ To charge and discharge batteries, only use specifically designed chargers/dischargers with balancer connector.
- ⌚ The white connector (cell count + 1 pole) is designed for the connection to a LiPo balancer or a battery charger as a single cell charger with a manual cell balancer. Always charge the battery with the balancer connector.

Safety notes for stocking batteries

- ⌚ Batteries may only be stored in non completely discharged condition.
- ⌚ The cell voltage should not fall below 1.2 V when stored for a long time.
- ⌚ Batteries may only be stored in dry rooms with an ambient temperature of +5°C to +25°C.
- ⌚ Stock the LiPo batteries with a cell voltage of about 3,8V. If the cell voltage falls below 3 V, then the battery must be necessarily charged. Deep discharge and storage in discharge status (cell voltage < 3V) make the battery useless.
- ⌚ Charge and transport your batteries always in a safety bag.

Description of the transmitter

Control elements on the transmitter



1	Antenna
2	Proportional dial DV3
3	INC/DEC buttons DT2
4	Switch SW 3
5	Proportional dial DV4
6	Switch SW 4
7	Switch SW 8
8	Switch SW 7
9	Right control stick
10	Alternative adjusting buttons
11	ENTER button
12	Trim

13	On/off switch
14	ESC button
15	Alternative selection buttons
16	Left control stick
17	Switch SW 5
18	Switch SW 6
19	Switch SW 1
20	Proportional dial DV1
21	Switch SW 2
22	INC/DEC buttons DT1
23	Proportional dial DV2

Connection on the back side



Data socket

The data socket is suitable for connection of an optional smart box.

You can find accessories on www.graupner.com

Ear phones port

Though this interface both acoustic signals and voice messages are emitted.

The volume can be controlled by "Voice volume" and "Signal volume" in the general settings.

Card slot

The card slot is suitable for micro SD memory card.

Micro SD cards up to 2 GB and micro SDHC up to 32 GB are compatible memory cards.

Our recommendation: For a normal use a memory card with a storage capacity of up to 4 GB is sufficient.

Inserting and removing the memory card step by step:

Switch off the transmitter.

The memory card slot is located over the battery case under the back side cover of the transmitter.

To insert:

Push the SD card as deep as you need to win the spring resistance of the slot.

To remove:

Push the SD card slightly toward the card slot to unlock it and then remove it.

The included memory card is ready for use as soon as the transmitter is switched on. In the display appears the symbol of a memory card.

Otherwise, folders are created on the memory card (represented in the transmitter display by a blinking memory card symbol). When the animation finishes, the inserted memory card is ready for use.

Data recording/Data saving

The data recording in the SD card is linked to the flight timer. If it is started, the data recording starts as well and it stops when the flight timer is stopped.

The data writing on the memory card is remarked by the blinking memory card symbol.

After the installation of the memory card, there is a folder structure in it. These folders are actually empty.

Finally, the log files are saved in subfolders called "Modelname" named according to the structure *0001_year-month-day.bin*. If a model memory is still nameless, the corresponding log files are saved in a subfolder entitled "NoName".

In the folder "Models" are saved the exported model memories.

The data can be evaluated on a compatible computer using the programs found on the downloads page for the transmitter under **www.graupner.com**

You can connect the memory card to your PC by using a memory card reader. Copy the data downloaded from the transmitter page on the web site in the related folder of the memory card. Insert the memory card in your transmitter.

Mini-USB connection

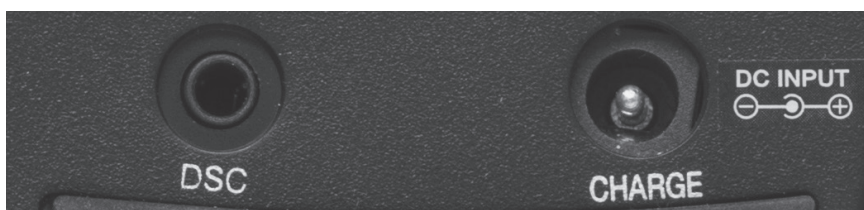


Note

The mini USB socket is not suitable for flight simulator connection.

Through this socket it is possible to connect the transmitter to a PC. The software that the computer needs as well as the appropriate USB driver can be found on the download page on **www.graupner.com** for the respective product.

DSC socket



Connection socket for flight simulator or T/P systems

Through a DSC cable the port can serve to use the transmitter with a simulator or to connect it with another one in Teacher/pupil mode.

Switch the DSC mode in the "General settings menu". In this way you can change the base display too. Right in the display appears "DSC".

To ensure a correct DSC connection, observe the following:

1. Perform any necessary adaptations in the menu.
2. When using the transmitter with a flight simulator or during the teacher-pupil operation, set the On/Off switch **always** on the "Off" position. Connect one end of the DSC cable in the DSC port of the transmitter.
3. Switch the transmitter on.



ATTENTION!

When your transmitter is directly connected to a desktop computer by a connecting cable (DSC cable) and/or a computer interface is connected to your simulator, the transmitter may be destroyed by electrostatic discharge. This type of connection should therefore only be used if you protect yourself from electrostatic discharge while operating the simulator by wearing a commercially available grounding armband. Graupner therefore strongly recommends only using wireless simulators.

Charging socket

Through the charging socket you can charge the transmitter battery using the supplied plug-in charger.

DO NOT USE PLUG-IN CHARGERS BY OTHER MANUFACTURERS OR OTHER CHARGERS.

The maximum charge current is 1,5 A.

More information are available in the section "Charging the transmitter battery".

Fixtures

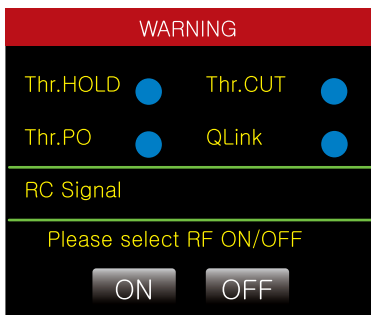
Attaching the transmitter neck-strap

On the upper side of the transmitter there is an orientable eyelet which can be used to hook a neck-strap.

Commissioning

Settings by the first use

Switch on transmitter



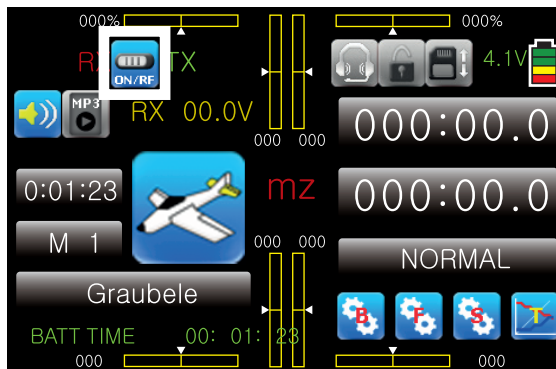
When you switch on the transmitter the position of the servos connected to the outputs 1 (plane) and 6 (heli) are checked. If the servo position is out of the idle range, the RF module will remain Off.

If this is not the case, the RF module will be activated and the image on the left will appear.

At the same time a warning alarm will be emitted.

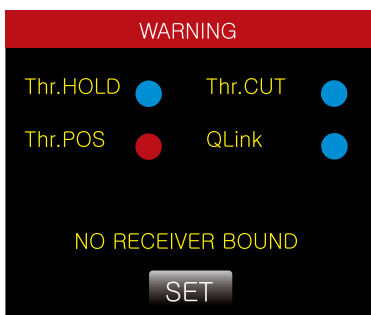
You now have the option of waiting a few seconds until the display disappears or maintaining the RF transmissions by manually tapping the ON button, or switching them off by tapping the OFF button.

In the base display you can check if the RF module is on or off. The related symbol is on the upper left side of the display.



The red "RX" and green "TX" on the left and right of this switch symbol mean that the currently active model memory has once been linked to a **Graupner**-HoTT receiver but is presently not linked.

If there is a connection, it will be indicated by a green colored numeric indication of the actual voltage of the receiver power supply in the field near "RX" and "TX".



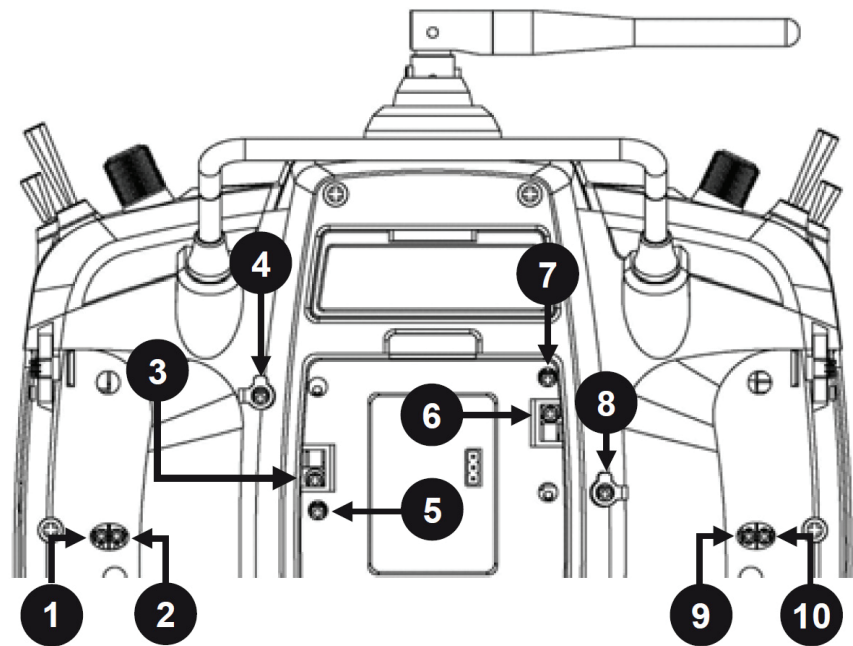
If the transmitter is turned on while the RF transmission is off, all of this information is not displayed, and the high-frequency switch symbol is gray.

If it appears the display represented on the left after switching the transmitter on, the currently active model memory is not linked to any receiver. By pushing the SET button you arrive to the "Transmitter settings" menu, in which you can bind the transmitter.

Adjusting the control stick

Both the left and right control sticks can optionally be set from neutralizing to non-neutralizing and vice versa. The control sticks' restoring force can also be adjusted.

The related adjusting system is on the back of the transmitter in the battery compartment, under the rubber covers, and under the side grips attached with double-sided adhesive tape. Make the desired adjustment by turning the relevant setscrew using a standard cross screwdriver.



1 and 2 / 9 and 10

Adjust the braking force with the outermost of the two screws, and adjust the strength of the control stick ratchet using the innermost screw.

4 and 5 / 7 and 8

Adjust the return force of the control direction by turning the relevant setscrew using a standard cross screwdriver.

3 and 6

To change the standard setting of the control sticks, turn the screw toward the inside of the transmitter until the relevant control stick can move freely from stop to stop, or turn it outward until the control stick resets itself independently.

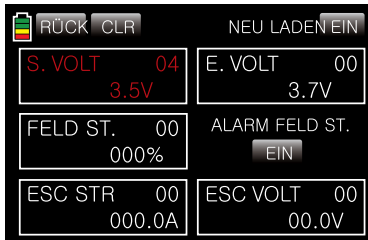
Control sticks length adjustment

Length of both control stick can be adjusted. Hold down the bottom half of the knurled grip, and loosen the screwed connection by turning the top part:

You can now lengthen or shorten the control stick by screwing it up or down. Then clamp the top and bottom part of the grip by rotating them against each other.

Transmitter power supply

Low voltage warning



The transmitter battery voltage should be monitored in the LCD display during operation. Once the adjustable voltage in the "battery warning threshold" is reached in the "Etc.Set" submenu of the system menu, Seite 202, a standard 4.8V (NiMH) for the mz-18 HoTT transmitter and 3.6V (lith.) for the mz-24 HoTT transmitter, a warning beep sounds, and the following window appears in the display:

Now at the latest, stop operation and recharge the transmitter battery!

Binding

Explications about the binding process can be found in the Part 2 of the manual.

For a transmitter commissioning the receiver must be bound to the transmitter. This binding process is necessary for the operation of the model!

The exact sequence of the binding operation is described in the section "Binding" in the Part 2 of the manual and in the respective receiver manual. Note: The procedure will be different for the different receiver types.

Charging the transmitter battery



WARNING

- ⌚ Protect the charger from dust, dirt, moisture, vibrations and other foreign parts.
- ⌚ The charger should always be supervised during charge and it should be used only in rooms fitted with a smoke detector.
- ⌚ The charger and the battery to be charged must be placed on a non-combustible, heat-resistant and non-conducting surface during operation. Do not use the charger near easily flammable materials.
- ⌚ Verify if the charger is suitable for your battery type.
- ⌚ Always connect only one battery to the battery charger output.

- ⌚ Use only batteries and battery cables with suitable connectors and reverse polarity protection. Make sure that the polarity is correct.
- ⌚ After the charge is complete disconnect the charger from the power source.
- ⌚ The battery charger can be used only in dry spaces.
- ⌚ A wet charger, even if re-dried, should no longer be used. Never use a damaged battery charger.
- ⌚ Due to licensing reasons, any reconstruction and/or modification of the product is prohibited.
- ⌚ Be sure that during charge the charger is not covered. The ventilation slots must be free.

Removing transmitter battery

Remove the battery case cover.

Then remove and disconnect the battery plug.

Lift the battery and pull it away from the Velcro tape.

Inserting the transmitter battery

The battery connection is protected by two beveled edges from polarity reversal when plugging in.

Plug the battery connector carefully and pay attention to the correct polarity.

Charge possibilities



CAUTION

The transmitter must be turned off while the entire charging process.

You have two charge possibilities:

1. By removing the battery from its case and charging it with a charger

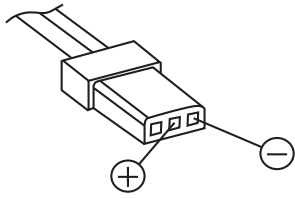
Removing transmitter battery

Remove the battery case cover.

Then remove and disconnect the battery plug.

Lift the battery and pull it away from the Velcro tape.

Charge the battery following the charger manual.



Inserting the transmitter battery

Connect the battery plug in the transmitter socket. Make sure that the polarity is correct. Pay attention to the respective "+" and "-" symbols near the socket.

Red = +

Black/brown = -

Place the battery into its compartment and close the cover.

2. Through charge socket and charge with AC charger



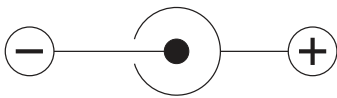
CAUTION

Do not use plug-in chargers by other manufacturers or chargers that were designed for different battery types. Transmitter and battery can be damaged. Risk of fire!

Make sure that the transmitter is switched off. The transmitter must be turned off while the entire charging process.

Connect the jack of the included AC charger to the charge socket.

A completely discharged battery requires approx. 15 hours to be charged.



Polarity of the mz charging socket

The charging cables available on the market by other manufacturers frequently have different polarities. For this reason, you should only use original Graupner charging cable.



NOTE

The charging socket comes standard with a protection switch that protects against polarity reversal. Original Graupner automatic chargers recognize the battery charge. In order to prevent damage to the protection switch and to the other components, charging current should never exceed 1 A.

Battery use timer in the display

The use timer is shown in the lower left part of the display in green.

The battery use time is added at every use. Every time that the voltage is higher than the use before the timer is reset to "00:00:00". This happens only if the voltage is at least 0,3V higher than before, it means it happens through a battery charge.



Use and menu functions

Operation of the key field

The main operation of the transmitter is made by using the touch screen display. In some cases it is possible to use the buttons on the sides of the display.

Keys left of the display

Adjust buttons :


- ① Set the parameters in the setting fields after they are activated by pressing the ENT button.
- ① Simultaneously press the  buttons to reset a changed parameter in the active entry field to the default (CLEAR).
- ① Simultaneously pressing the  buttons in the basic display switches directly to the »Servo display« . (Come back through the ESC button)

ESC button:

- ① Pressing the ESC button brings about a stepwise return to function selection or back to the basic display. Any setting changed in the meantime is retained.

Keys to the left of the display

Selection keys  :

- ① "Scrolling" through the menu lines in the setting menus or through the icons that can be called up in the basic display.
- ① By pushing simultaneously the  buttons you recall the last active telemetry display.

ENT button:

- ① Activate (confirm) the settings fields by pressing the ENT button.

Entry lock

The four-way keys can be locked by pushing simultaneously the ESC and ENT keys for about 1 second.

The entry lock is indicated by a change of color of the lock icon at the top right in the display from gray to blue/yellow:

The controls remain operational.

Press the ESC and ENT buttons again for about 3 seconds to release the lock. The symbol is now displayed again in gray.

Digital trim

Digital trim with an optical and acoustic display

The two control sticks come with digital trimming. Briefly touch the trimming switch to move the neutral position of the control stick by a specific value with each click. If it is held, the trimming moves in the corresponding direction with increasing speed.

The adjustment is made audible by tones of varying levels. It is therefore easy to find the middle position during flight without looking at the display. If you go past the middle position, a brief pause is inserted.

The current trimming values are automatically saved when the model memory is changed.

For factory setting the transmitter original trim is saved in relation to the model memory but you can change this setting by assigning to each flight phase a different trim setting.

The current trimming positions are displayed numerically and graphically in the transmitter's basic display as well as in a special display.

Display

Operation

The display is basically operated by touching the desired field with a finger or the provided stylus.

Indications active/inactive fields

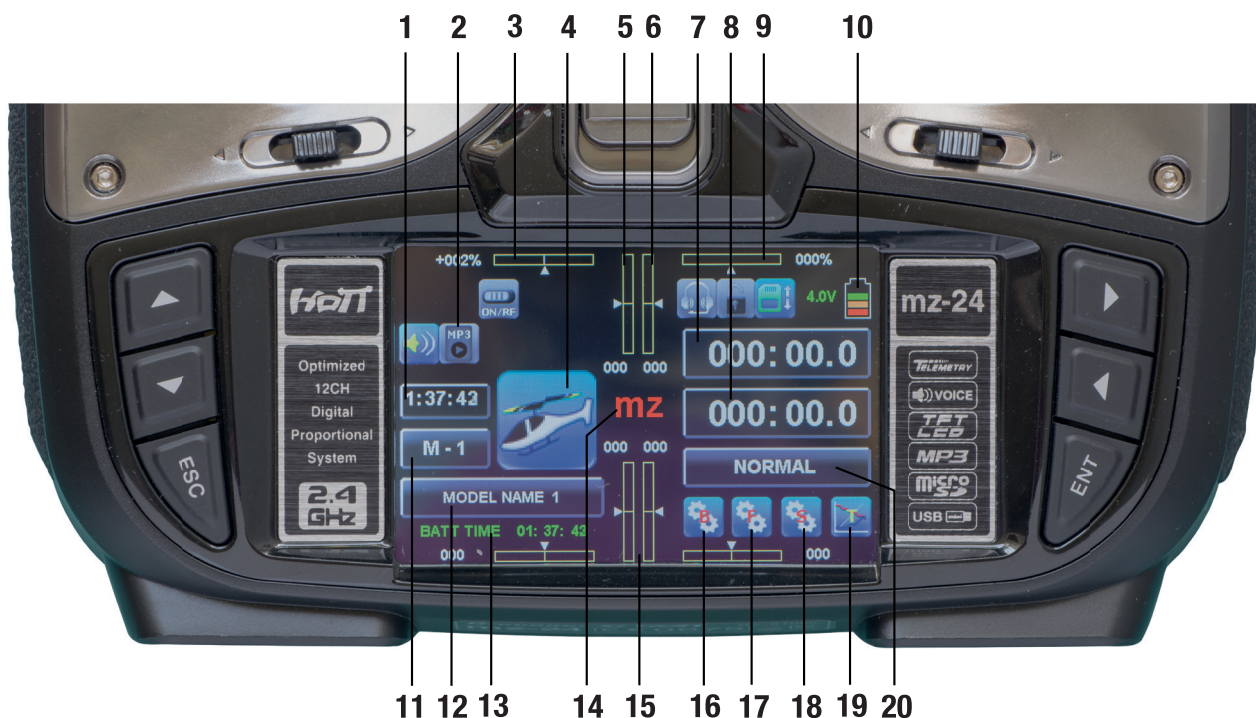


The icon on the left informs you if the function is active or inactive.

Colored = active

Gray = inactive

Display symbols



1	Model operating time
2	MP3 Player
3	Graphic display of the position of the proportional rotary transducers DV 1 (mz-18 HoTT) and DV 2 (mz-24 HoTT) with a numeric position and direction display.
4	Model type
5	Graphic display of the position of the standard, left INC/DEC button DT 1 with a numeric position and direction display that only comes with the mz-24 HoTT transmitter.
6	Graphic display of the position of the standard, right INC/DEC button DT 2 with a numeric position and direction display that only comes with the mz-24 HoTT transmitter.
7	Timer 1
8	Timer 2
9	Graphic display of the position of the proportional rotary transducers DV 2 (mz-18 HoTT) and DV 3 (mz-24 HoTT) with a numeric position and direction display.
10	Three color display of the transmitter battery voltage
11	Model memory
12	Model name
13	Battery use timer
14	Tipping on the "mz" field so as on Model type, MP3 player, Model operating time, Model memory, Transmitter battery voltage, Timer 1 / 2 and Flight phase name opens the related menu.
15	Graphic display of the position of the four digital trimming levers with a numeric position and direction display.
16	Button for opening the basic settings
17	Button for opening the model settings
18	Button for opening the transmitter settings
19	Button for opening the telemetry displays
20	Flight phase name

Firmware update

The programs and files which are also required for updating the transmitter combined into one software package can be downloaded from **www.graupner.com**

Download this software package from the Internet, and unpack it on your computer. All other information can be found in internet in the same page where the software package is available.

Firmware updates of the transmitter can be performed through the USB port on the rear side.



Note

- ⌚ **Please note that compatible firmware is required for reliable communication between the HoTT components. The programs and files that are required to update are therefore combined into a single file.**
- ⌚ **The current firmware version can be found on the Internet at www.graupner.com**
- ⌚ **Only operate your transmitter using the current software version. these information can also be found at: www.graupner.com**
- ⌚ **Before each update, check the transmitter battery charge or charge it as a precaution, and save all model memories so that they can be restored if necessary.**
- ⌚ **Do not disconnect the link to the computer during an update! Make sure that the link between the transmitter and computer is operational.**
- ⌚ **After each update, check to make sure that the models function correctly.**

Transmitter software update

Download the actual software package from the Internet, and unpack it on your computer.

Switch on the transmitter.

Connect your transmitter with your PC, by using the USB cable, which is supplied with the package content, plug one end of the USB cable to a free port in your computer and the other end to the transmitter.

All other information can be found in the instructions that come in the software package.

EG DECLARATION OF CONFORMITY:



We hereby declare that the following product:

S.1005 mz-18 HoTT

S.1006 mz-24 HoTT

confirms with the essential protective requirements as laid down in the directive for harmonising the statutory directives of the member states concerning electro-magnetic interference 2004/108/EC

This product has been tested for electro-magnetic interference in accordance with the following norms:

EMV 2004/108/EC:

EN 301 489-1 V1.9.2

EN 301 489-17 V2.1.1

EN 62479:2010

LVD 2006/95/EC:

EN 60950-1 + A11 + A1 + A12 + A2:2013

R&TTE 1999/5/EC:

EN 300 328 V1.8.1

EN 62311:2008

Hersteller / Manufacturer

GRAUPNER Co. Ltd

202-809, 18, Bucheon-ro 198beon-gil,

Bucheon-si, Gyeonggi-do,

Korea 14557

Vertrieb Deutschland, Österreich, EU

D-Power Modellbau

Inhaber: Horst Derkum

Sürther Straße 92-94

50996 Köln

Deutschland

www.d-power-modellbau.com

Robbe Modellsport

Geschäftsführer: Matthew White

Industriestraße 10

4565 Inzersdorf im Kremstal

Österreich

www.robbe.com

SIMPLIFIED EU DECLARATION OF CONFORMITY

Hereby D-Power Modellbau, Robbe Modellsport, Flash RC and Jonathan declare that the radio equipment type **mz-10, mz-12 PRO, mz-16, mz-18, mz-24 PRO, mz-32, X-8N, GR-4, GR-8, GR-12, GR-12L, GR-12SH+, GR-12 +3xG, GR-12 +3xG Vario, GR-16, GR-18, GR-18 +3xG Vario, GR-24 PRO, GR-24 +3xG, GR-32, Falcon 12, Falcon 12 plus** is in compliance with the Directive 2014/53/EU.

The full text of the EU declaration of conformity is available online at www.graupner.com

For more information of distribution, please visit our website www.graupner.com

Notes on environmental protection



Disposal notes

This symbol on the product, user manual or packaging indicates that this product must not be disposed of with other household waste at the end of its life. It must be handed over to the applicable collection point for the recycling of electrical and electronic equipment.

The materials are recyclable as marked. By recycling, material reusing or other forms of scrap usage you are making an important contribution to environmental protection.

Batteries and accumulators must be removed from the device and disposed of at an appropriate collection point. Please inquire if necessary from the local authority for the appropriate disposal site.

Care and maintenance



Notes on care

The product does not need any maintenance. Always protect it against dust, dirt and moisture.

Clean the product only with a dry cloth (do not use detergent!) lightly rub.

Warranty certificate

GRAUPNER Co., Ltd.

202-809, 18, Bucheon-ro 198beon-gil, Bucheon-si, Gyeonggi-do, Korea. grants from the date of purchase of this product for a period of 24 months. The warranty applies only to the material or operational defects already existing when you purchased the item. Damage due to misuse, wear, overloading, incorrect accessories or improper handling are excluded from the guarantee. The legal rights and claims are not affected by this guarantee. Please check exactly defects before a claim or send the product, because we have to ask you to pay shipping costs if the item is free from defects.

The present construction or user manual is for informational purposes only and may be changed without prior notice. The current version can be found on the Internet at www.graupner.com on the relevant product page. In addition, the company **Graupner** has no responsibility or liability for any errors or inaccuracies that may appear in construction or operation manuals.

No liability can be accepted for printing errors.

Notes

