

**R3106GF is T-FHSS Air system, but the telemetry function isn't equipped.**

**Applicable systems: Futaba T-FHSS Air-2.4GHz system transmitter**

**Usage precaution**

- Futaba T-FHSS Air system does not work with current Futaba S-FHSS / FHSS / FASST / FASSTest system.
- The R3106GF receiver can only be used with T-FHSS Air capable transmitters.

**⚠ WARNING**

❗ Changes or modification not expressly approved by the party responsible for compliance could void the user's authority to operate the equipment.

❗ The R3106GF receiver should be protected from vibration by foam rubber, hook and loop tape, or similar mounting methods. Protect from moisture.

❗ Keep away from conductive materials to avoid short circuits.

**Antenna installation precaution**

⊘ Don't cut or bundle the receiver antenna wire.

⊘ Don't bend the coaxial cable. It causes damage.

**Link to the transmitter**

Easy Link ID allows T-FHSS Air receivers to link to compatible transmitter without pressing the link button on the receiver.

- 1 Bring the transmitter and the receiver close to each other, within 20 inches (half meter).
- 2 Turn on the transmitter. Place the transmitter into the receiver linking mode.
- 3 Turn on the receiver.
- 4 The receiver will wait for the linking process to begin for 3 seconds. Following that it will return to the normal operation mode.
- 5 When the LED of the receiver changes from red to solid green, linking is completed.  
(A linking process is ended in 15 seconds.)

- Refer to the transmitters operation manual for complete details on how to place the transmitter into the linking mode.
- If there are many T-FHSS Air systems turned on in close proximity, your receiver might have difficulty establishing a link to your transmitter. This is a rare occurrence. However, should another T-FHSS Air transmitter/receiver be linking at the same time, your receiver could link to the wrong transmitter. This is very dangerous if you do not notice this situation. In order to avoid the problem, we strongly recommend you double check whether your receiver is really under control by your transmitter.
- The R3106GF uses the T-FHSS Air (T6L Sport : Mono directional) system so if used with another T-FHSS Air transmitter (e.g. T10J,T6K), then the ID of the R3106GF receiver will not be shown on the transmitter's display. A "NO LINK" indication or the ID of a previously linked T-FHSS Air receiver will be shown. Nevertheless, if the LED on the R3106GF displays a steady green light it is linked with a transmitter. (Telemetry can not be used on the R3106GF.)

**⚠ WARNING**

⊘ Do not perform the linking procedure while the motor's main wire connected or the engine is operating as it may result in serious injury.

❗ When the linking is complete, please cycle the receiver power and ensure the receiver is properly linked to the transmitter.

❗ Please power up your system in this order. Transmitter first, followed by the receiver.

❗ If the R3106GF receiver was previously linked to another transmitter, make sure that transmitter is not operating while linking the receiver to the new transmitter.

**R3106GF Specifications**

**T-FHSS Air (Mono Directional) -2.4GHz system/ 6 channels receiver**  
(No telemetry)

- Frequency band: 2.4GHz band
- Size: 1.7 x 0.98 x 0.35 in. (43.1 x 25.0 x 8.8 mm)
- Weight: 0.3 oz. (7.8g)
- Power requirement: 4.8V to 7.4V

\* Be sure that the battery is the correct size for the amount and type of servos being used. When using a BEC, be sure that it is capable of delivering constant voltage and can accept enough current that will be used by the RX and servos. Do not use a dry cell battery with this system.

❗ The antenna must be installed in a way that ensures they are not under strain.

❗ Keep the antenna as far away from the motor, ESC and other noise sources as you possibly can.

**Antenna installation for carbon fuselage**

**⚠ WARNING**

❗ You must leave 30mm at the tip of the antenna fully exposed. The exposed antenna should be secured so that it cannot move around or back inside of your aircraft.

**⚠ DANGER Receiver**



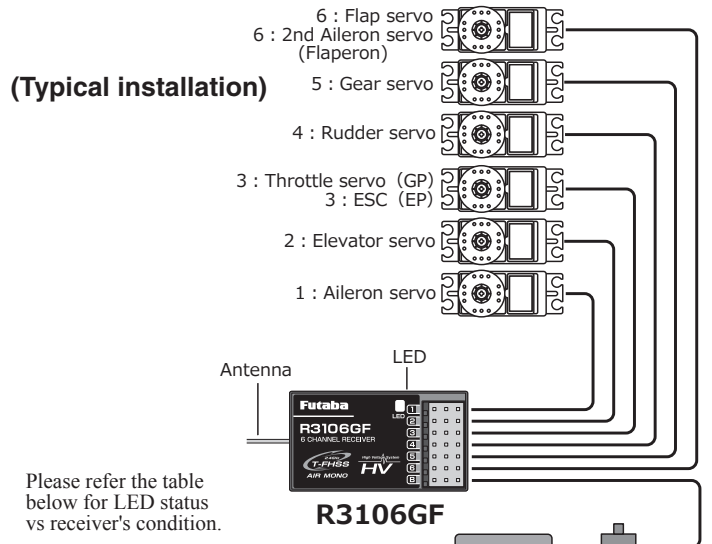
**Connect precaution**

**⚠ DANGER**

⊘ Don't connect a connector, as shown next.

- The connector will short circuit if it is connected in this way. A short circuit across the battery terminals may cause abnormal heat and possibly fire.

⊘ Do not insert either a switch or battery in this manner.



Please refer the table below for LED status vs receiver's condition.

**LED Indication**

Green	Red	Status
Off	Solid	No signal reception
Solid	Off	Receiving signals
Alternate blink		Unrecoverable error (EEPROM, etc.)

**Compliance Information Statement (for U.S.A.)**

This device, trade name Futaba Corporation, model number R3106GF, complies with part15 of the FCC Rules. Operation is subject to the following two conditions:

- (1) This device may not cause harmful interference, and
- (2) This device must accept any interference received, including interference that may cause undesired operation.

The responsible party of this device compliance is:  
Futaba Service Center  
3002 N Apollo Drive Suite 1, Champaign, IL 61822 U.S.A.  
TEL (217)398-8970 or E-mail: support@hobbico.com (Support)

**FEDERAL COMMUNICATIONS COMMISSION INTERFERENCE STATEMENT**

This equipment has been tested and found to comply with the limits for a Class B digital device, pursuant to Part 15 of the FCC Rules. These limits are designed to provide reasonable protection against harmful interference in a residential installation. This equipment generates, uses and can radiate radio frequency energy and, if not installed and used in accordance with the instructions, may cause harmful interference to radio communications. However, there is no guarantee that interference will not occur in a particular installation. If this equipment does cause harmful interference to radio or television reception, which can be determined by turning the equipment off and on, the user is encouraged to try to correct the interference by one or more of the following measures:

- Reorient or relocate the receiving antenna.
- Increase the separation between the equipment and receiver.
- Connect the equipment into an outlet on a circuit different from that to which the receiver is connected.
- Consult the dealer or an experienced radio/TV technician for help.

**Compliance Information Statement (for Canada)**

CAN ICES-3(B)/NMB-3(B)

**Compliance Information Statement (for EU)**

**Declaration of Conformity**

Hereby, Futaba Corporation declares that the radio equipment type R3106GF is in compliance with Directive 2014/53/EU. The full text of the EU declaration of conformity is available at the following internet address:

<http://www.rc.futaba.co.jp/english/dl/declarations.html>