

Ventur - 2cx



Quarter scale sailplane

Manufactured by:

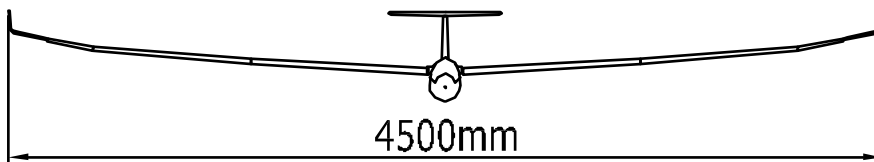
TOPMODEL CZ

679 05 HABRŮVKA 100 - CZECH REPUBLIC

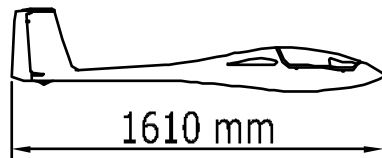
www.topmodelcz.com

e-mail: info@topmodelcz.cz

Order N°:2043

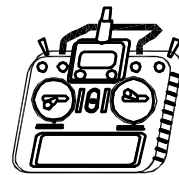


4500mm



1610 mm

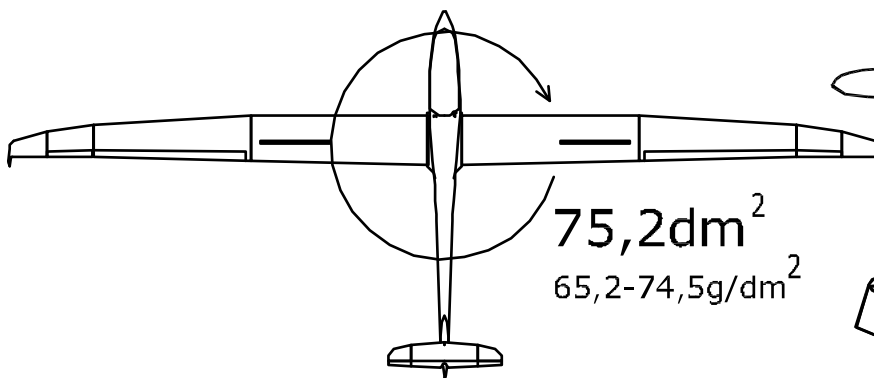
Radio system you'll need :



6-8 channel
with
10-12 servos



HQ3/14-2,5/12



75,2dm²
65,2-74,5g/dm²



4,9 - 5,6 kg

	GB	Parts list			
Part #	Part name	Material, dimensions	Loose	In bag	Installed
	building instructions		1	-	
1	fuselage	fibreglass	1	-	
1-2	servo tray	plywood 4x130x138mm	-	1	
1-21	servo tray support	plywood 4mm		2	
1-22	rudder link support	plywood 4mm	-	1	
1-23	elevator servo tray	fibreglass 1x19x45mm	-	1	
2	wing	foam core-abachi Oracover®covered	2	-	
2-1	flap	foam core-abachi Oracover®covered	2		
2-11	flap 2	foam core-abachi Oracover®covered	2		
2-12	aileron	foam core-abachi Oracover®covered	2		
2-13	aileron 2	foam core-abachi Oracover®covered	2		
2-15	ailerons joiner	steel Ø2 x 30mm		2	
2-21	centering pin	steel Ø3mm	-		2
2-23	winglet	fibreglass	2		
2-3	wing fixing	nylon		2	
2-4	airbrake servo mount	polyuretan 13mm	-	4	
2-41	airbrake servo top	sticker	-	2	
2-5	flap pushrod	M2 x 25mm	-	2	
2-51	flap 2 pushrod	M2 x 35mm		2	
2-52	aileron pushrod	M2 x 25mm		2	
2-6	clevis	metal M2, nut M2	-	12+12	
2-8	aileron & flap horn	MPJ 2291	-	6	
2-81	nut	MPJ 1005		6	
24	wing joiner	steel Ø12 x 420mm	-	1	
3	horizontal stabilizer	fibreglass	1		
3-4	stabilizer screw	M4x20mm		2	
3-5	elevator pushrod	M2		1	
3-6F	ball pin	MPJ 2408	-	1	
3-6R	clevis	metal M2, matice M2	-	1+1	
3-7	clutch	MPJ 2012BR		1	
3-8	elevator horn	MPJ 2291	-	1	
4	rudder	fibreglass		-	1
4-5	rudder pushrod	steel Ø1,5mm		-	1
4-6	threaded rod tip M2	MPJ 2762	-	-	1
4-8	rudder horn	MPJ 2291	-		1
6	canopy	PVC	1	-	
6-3	canopy frame	fibreglass	1		
6-4	canopy fixing	steel Ø3x20mm, cabin latch	1+1		
7	stickers		set	-	

ATTENTION !!!

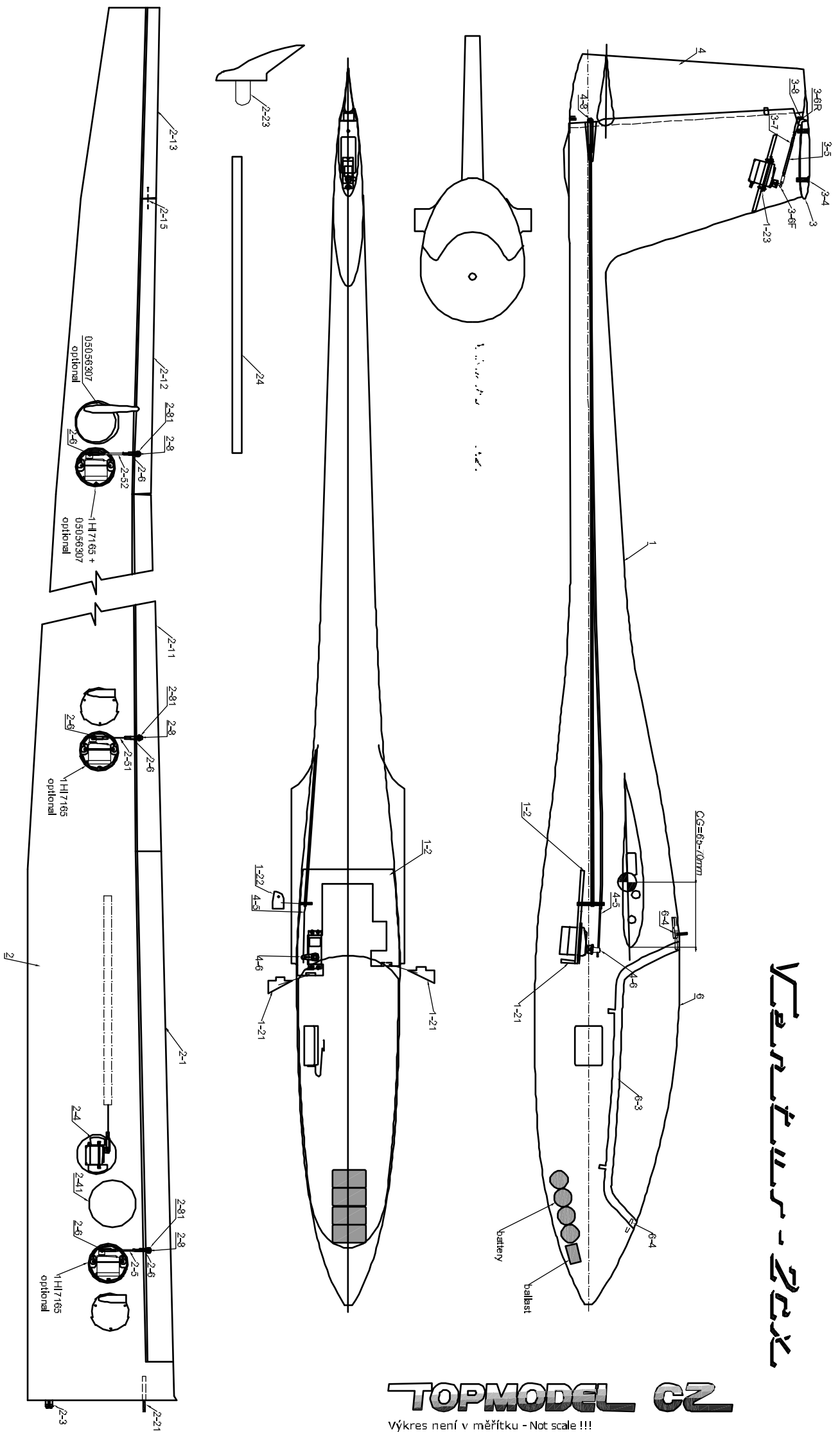
This model construction kit is not a toy and is not suitable for children under the age of 14. Incorrect use of this model could cause material damage or personal injury. You are fully responsible for your actions when you use this model. Fly at a safe distance from occupied zones. Before switching on the radio, be sure, that no one else is using the same frequency as you!

NB:

Although the wings are provided with a system which keeps them firmly fixed to the fuselage, you must stick some adhesive tape, half on the fuselage and half on the wing, the whole length of the chord, in order to ensure that in case of a shock or vibration the wing cannot move slightly away from the fuselage.

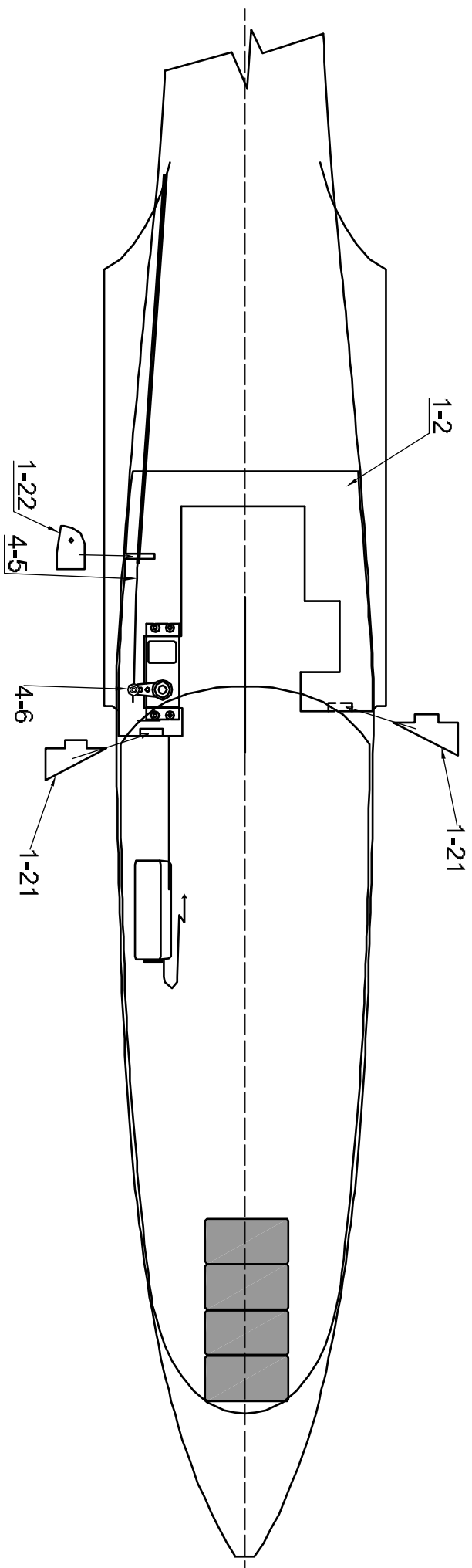
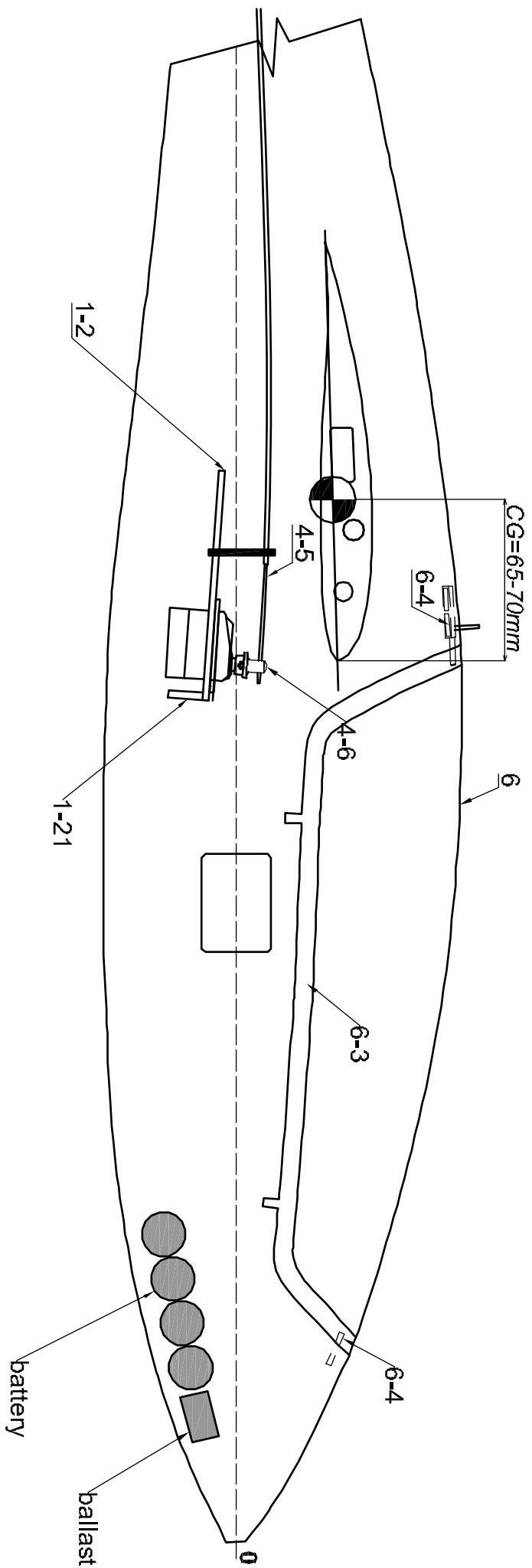
If the wing does move away from the fuselage, however little, you may well lose the electrical contact afforded by the multi-pin plug connecting the servo to the receiver, thus losing the use of both the ailerons and the air-brakes!

Věrně - ZCX



TOPMODEL CZ

Výkres není v měřítku - Not scale !!!



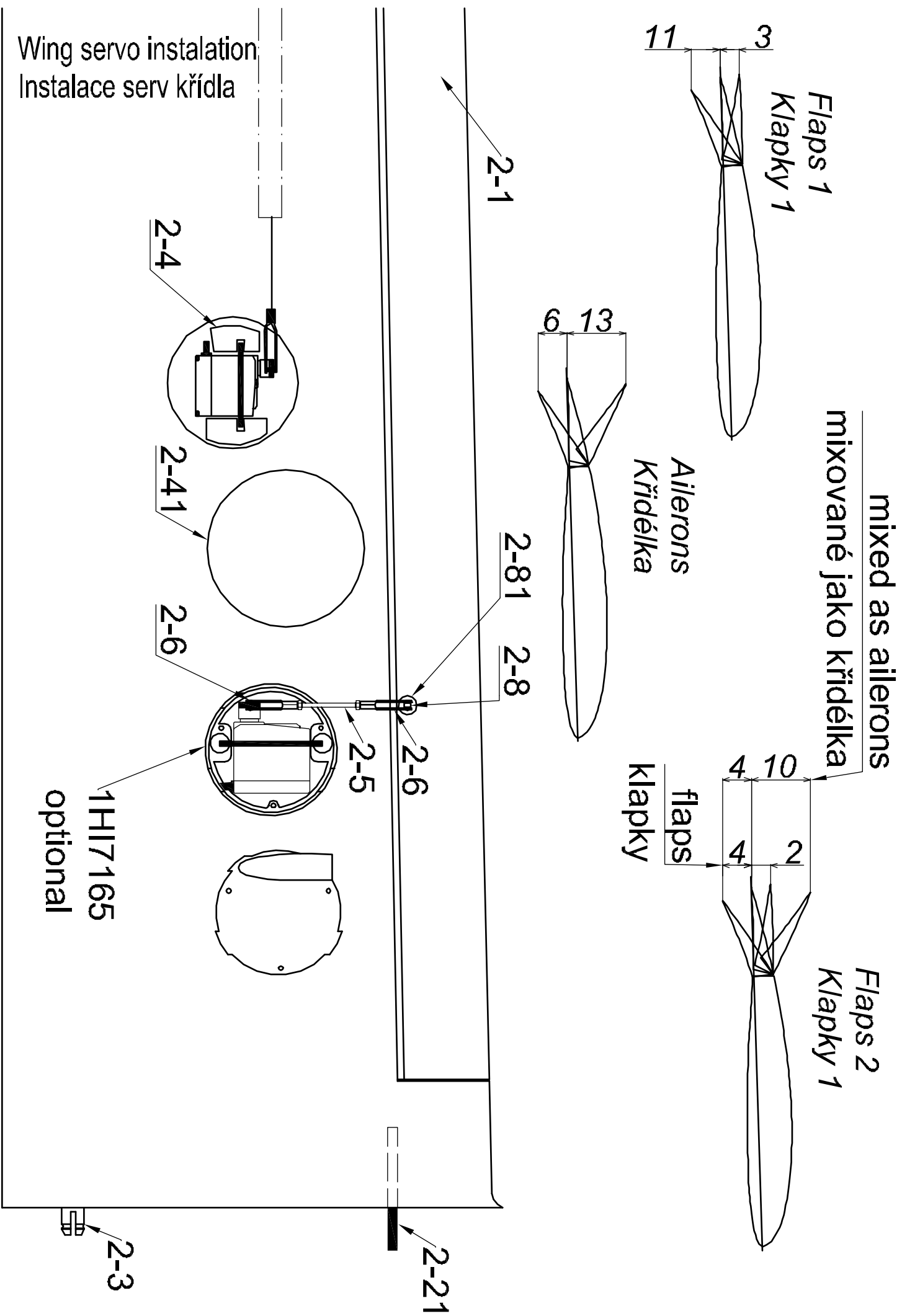
Flaps 1
Klapky 1

mixed as ailerons
mixované jako křídélka

Flaps 2
Klapky 1

Ailerons
Křídélka

Wing servo instalation
Instalace serv křídla



Elevator servo instalation
Instalace serva pro výškovku

