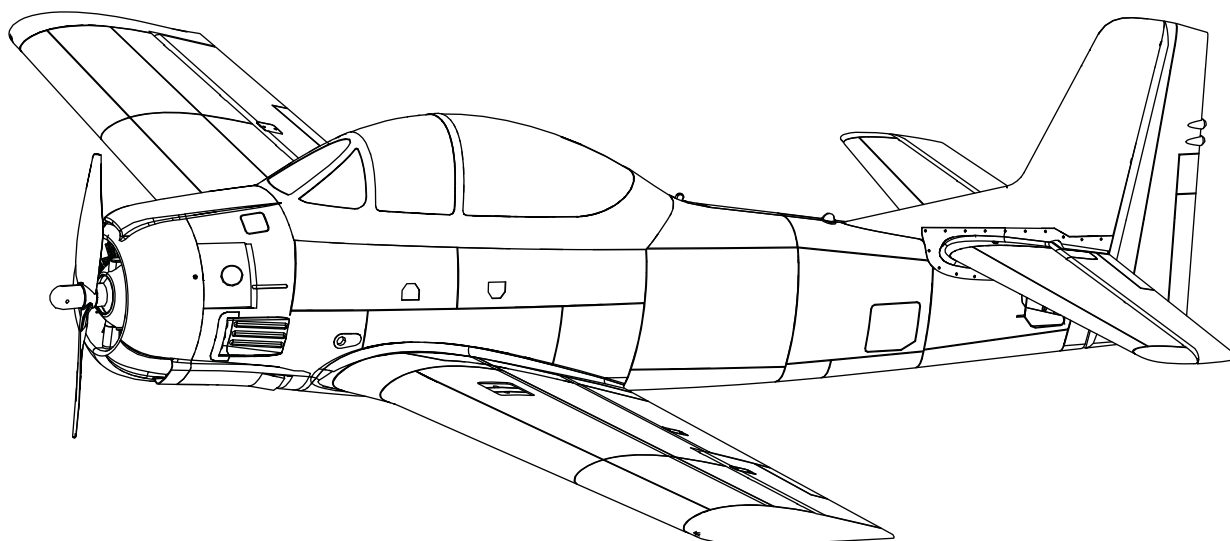


HORIZON[®]
H O B B Y

Eflite[®]
ADVANCING ELECTRIC FLIGHT

Carbon-Z[®] T-28



Instruction Manual
Bedienungsanleitung
Manuel d'utilisation
Manuale di Istruzioni

AS3X[®] 

CARBON  **STRUCTURE**

Bind-N-Fly[®]
BASIC

Plug-N-Play[®]

NOTICE

All instructions, warranties and other collateral documents are subject to change at the sole discretion of Horizon Hobby, LLC. For up-to-date product literature, visit www.horizonhobby.com and click on the support tab for this product.

Meaning of Special Language:

The following terms are used throughout the product literature to indicate various levels of potential harm when operating this product:

NOTICE: Procedures, which if not properly followed, create a possibility of physical property damage AND little or no possibility of injury.

CAUTION: Procedures, which if not properly followed, create the probability of physical property damage AND a possibility of serious injury.

WARNING: Procedures, which if not properly followed, create the probability of property damage, collateral damage, and serious injury OR create a high probability of superficial injury.



WARNING: Read the ENTIRE instruction manual to become familiar with the features of the product before operating. Failure to operate the product correctly can result in damage to the product, personal property and cause serious injury.

This is a sophisticated hobby product. It must be operated with caution and common sense and requires some basic mechanical ability. Failure to operate this Product in a safe and responsible manner could result in injury or damage to the product or other property. This product is not intended for use by children without direct adult supervision. Do not use with incompatible components or alter this product in any way outside of the instructions provided by Horizon Hobby, LLC. This manual contains instructions for safety, operation and maintenance. It is essential to read and follow all the instructions and warnings in the manual, prior to assembly, setup or use, in order to operate correctly and avoid damage or serious injury.

14+

AGE RECOMMENDATION:
Not for children under 14 years. This is not a toy.



WARNING AGAINST COUNTERFEIT PRODUCTS: If you ever need to replace your Spektrum receiver found in a Horizon Hobby product, always purchase from Horizon Hobby, LLC or a Horizon Hobby authorized dealer to ensure authentic high-quality Spektrum product. Horizon Hobby, LLC disclaims all support and warranty with regards, but not limited to, compatibility and performance of counterfeit products or products claiming compatibility with DSM or Spektrum.

Safety Precautions and Warnings

As the user of this product, you are solely responsible for operating in a manner that does not endanger yourself and others or result in damage to the product or the property of others.

- Always keep a safe distance in all directions around your model to avoid collisions or injury. This model is controlled by a radio signal subject to interference from many sources outside your control. Interference can cause momentary loss of control.
- Always operate your model in open spaces away from full-size vehicles, traffic and people.
- Always carefully follow the directions and warnings for this and any optional support equipment (chargers, rechargeable battery packs, etc.).
- Always keep all chemicals, small parts and anything electrical out of the reach of children.
- Always avoid water exposure to all equipment not specifically designed and

- protected for this purpose. Moisture causes damage to electronics.
- Never place any portion of the model in your mouth as it could cause serious injury or even death.
- Never operate your model with low transmitter batteries.
- Always keep aircraft in sight and under control.
- Always use fully charged batteries.
- Always keep transmitter powered on while aircraft is powered.
- Always remove batteries before disassembly.
- Always keep moving parts clean.
- Always keep parts dry.
- Always let parts cool after use before touching.
- Always remove batteries after use.
- Always ensure failsafe is properly set before flying.
- Never operate aircraft with damaged wiring.
- Never touch moving parts.

Charging Warnings

CAUTION: All instructions and warnings must be followed exactly. Mishandling of Li-Po batteries can result in a fire, personal injury, and/or property damage.

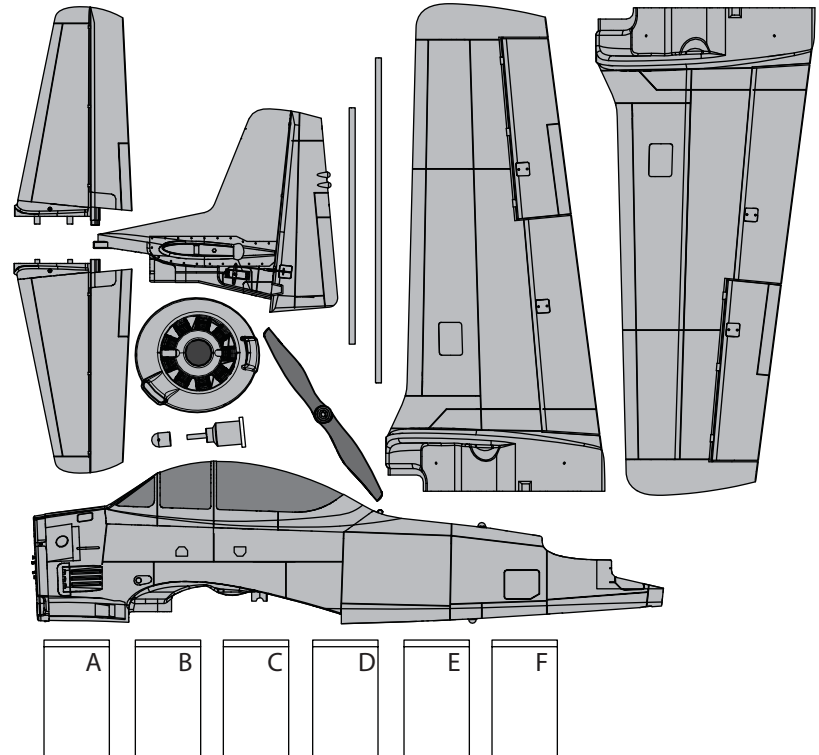
- **Never leave charging batteries unattended.**
- **Never charge batteries overnight.**
- By handling, charging or using the included Li-Po battery, you assume all risks associated with lithium batteries.
- If at any time the battery begins to balloon or swell, discontinue use immediately. If charging or discharging, discontinue and disconnect. Continuing to use, charge or discharge a battery that is ballooning or swelling can result in fire.
- Always store the battery at room temperature in a dry area for best results.
- Always transport or temporarily store the battery in a temperature range of 40–120° F (5–49° C). Do not store battery or aircraft in a car or direct sunlight. If stored in a hot car, the battery can be damaged or even catch fire.
- Always charge batteries away from flammable materials.
- Always inspect the battery before charging and never charge dead or damaged batteries.
- Always disconnect the battery after charging, and let the charger cool between charges.
- Always constantly monitor the temperature of the battery pack while charging.
- **ONLY USE A CHARGER SPECIFICALLY DESIGNED TO CHARGE LI-PO BATTERIES.** Failure to charge the battery with a compatible charger may cause fire resulting in personal injury and/or property damage.
- Never discharge Li-Po cells to below 3V under load.
- Never cover warning labels with hook and loop strips.
- Never charge batteries outside recommended levels.
- Never attempt to dismantle or alter the charger.
- Never allow minors under the age of 14 to charge battery packs.
- Never charge batteries in extremely hot or cold places (recommended between 40–120° F or 5–49° C) or place in direct sunlight.

To register your product online, visit www.e-fliterc.com

Box Contents

Quick Start Information			
Transmitter Setup	Blank (Acro) Model		
	Servo Reversing: Normal		
	Travel Adjust (All Surfaces): 100%		
Dual Rates*		Hi Rates	Low Rates
	Ail	▲= 1 7/16 in ▼= 1 1/4 in	▲= 1 1/4 in ▼= 1 1/8 in
	Ele	▲= 7/8 in ▼= 7/8 in	▲= 3/4 in ▼= 3/4 in
	Rud	▶= 2 in ◀= 2 in	▶= 1 9/16 in ◀= 1 9/16 in
EXPO (Soft center)		High	Low
	Ail	5%	0%
	Ele	5%	5%
	Rud	10%	0%
Flap*	Full Flap	Half Flap	
		3 1/8 ▼	1 9/16 in ▼
Flap Elevator mix	1/8 in ▼ elevator	1/16 in ▼ elevator	
Center of Gravity (CG)	11.5 inches (292 mm) forward of trailing edge of wing at flap root.		
Flight Timer Setting	6 minutes		

*Measured from widest point of control surface.

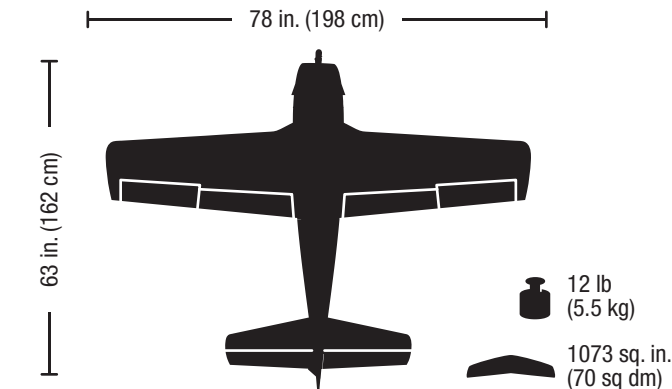


Specifications

For replacement part numbers see page 62		BNF BASIC	PNP PLUG-N-PLAY
	60-Size Brushless Outrunner Motor 500Kv	Included	Included
	70-Amp, Switch Mode BEC, Brushless ESC w/EC5™	Installed	Installed
	(6) 25 g Metal Gear Servo (1) 16 g Metal Gear Servo (Nose Gear)	Installed	Installed
	Spektrum™ AR636, 6-Channel AS3X® Sport Receiver	Installed	Required to Complete
	Battery: 5000mAh 22.2V 6S 30C Li-Po	Required to Complete	Required to Complete
	Battery Charger: 6-cell Li-Po battery balancing charger	Required to Complete	Required to Complete
	Recommended Transmitter: Full-Range 6 channel 2.4GHz with Spektrum DSM2®/DSMX® technology with programmable dual rates and exponential.	Required to Complete	Required to Complete

Table of Contents

Preflight.....	4
Model Assembly	4
Control Surface Centering	8
Control Horn and Servo Arm Settings	8
Transmitter and Receiver Binding.....	9
Receiver Selection and Installation.....	9
Battery Installation and ESC Arming	10
Center of Gravity (CG)	11
AS3X Control Direction Test	11
In Flight Trimming	12
Flying Tips and Repairs	12
Post Flight Checklist	13
Troubleshooting Guide AS3X	13
Troubleshooting Guide	14
AMA National Model Aircraft Safety Code.....	15
Limited Warranty	16
Contact Information	17
FCC Information.....	17
IC Information	17
Compliance Information for the European Union.....	17
Replacement Parts	62
Optional Parts	63



Preflight

1	Remove and inspect contents.
2	Read this instruction manual thoroughly.
3	Charge the flight battery.
4	Fully assemble the airplane.
5	Install the flight battery in the aircraft (once it has been fully charged).
6	Check the Center of Gravity (CG).
7	Bind the aircraft to your transmitter.
8	Make sure linkages move freely.

9	Perform the Control Direction Test with the transmitter.
10	Perform the AS3X Control Direction Test with the aircraft.
11	Adjust flight controls and transmitter.
12	Perform a radio system Range Test.
13	Find a safe open area to fly.
14	Plan flight for flying field conditions.

Model Assembly

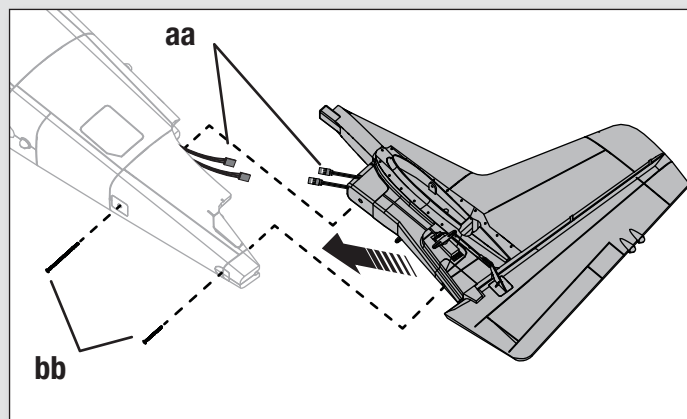
Vertical Tail Installation

1. Connect the rudder and elevator servo connectors (**aa**) to the servo extensions in the fuselage.
2. Slide the vertical tail assembly into the slot in the fuselage.

CAUTION: DO Not crush or damage the wiring when attaching the vertical tail assembly to the fuselage.

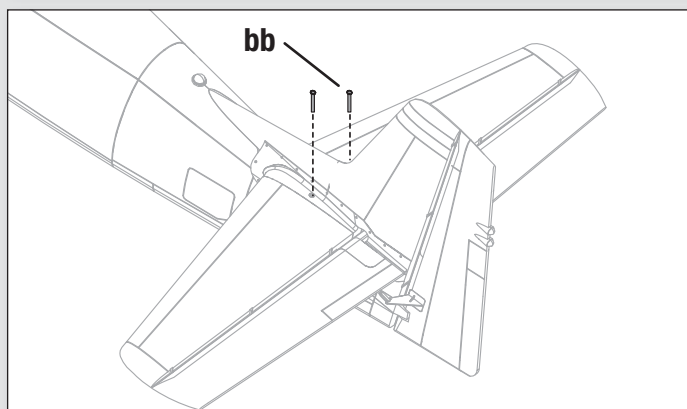
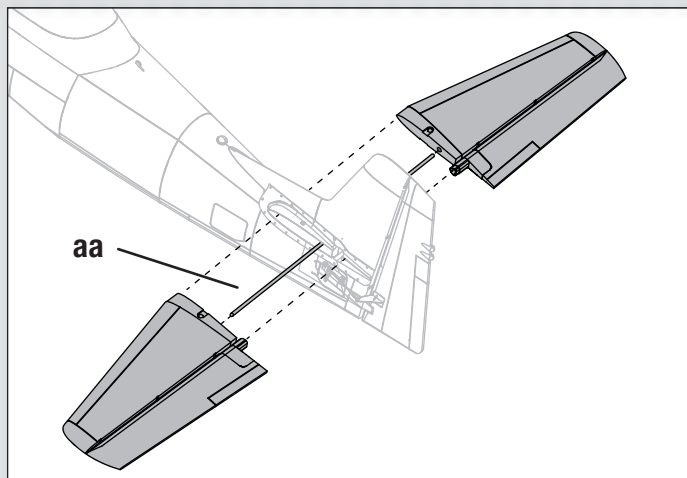
3. Secure the assembly to the fuselage using 2 screws (**bb**) (from Bag A) as shown. Long screw in front hole, shorter screw in rear hole.

When needed, disassemble in reverse order.



Horizontal Stabilizer Installation

1. Slide the horizontal stabilizer tube (**aa**) into the hole in the rear of the fuselage.
2. Install the 2 piece (left and right) horizontal stabilizer as shown. Ensure the control horn faces down.
3. Secure the 2 piece tail in place with 2 screws (**bb**) (from bag B) in the top of each side of the horizontal tail.

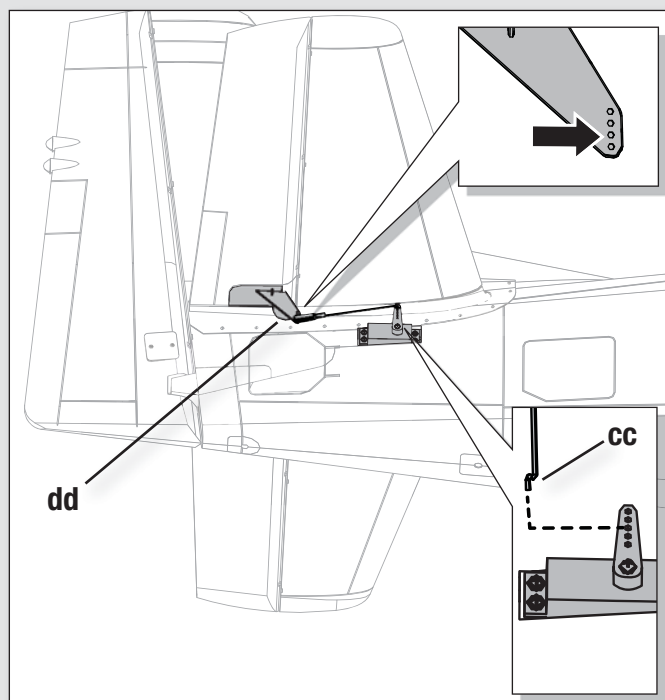


Model Assembly *Continued*

Horizontal Stabilizer Installation *Continued*

4. Attach the Z-bend end of the control rod (**cc**) (from Bag B) to the servo arm's center hole as shown.
5. Attach the clevis (**dd**) to the elevator control horn's second to outer most hole as shown.
6. Ensure the elevator servo arm is in the correct position, then adjust the linkage to center the elevator.

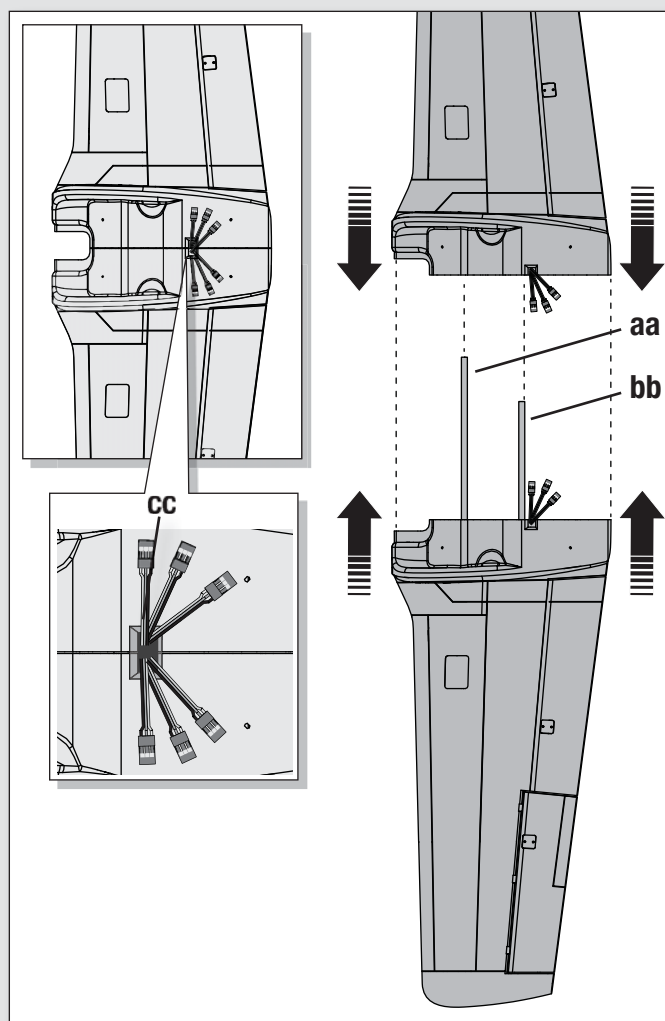
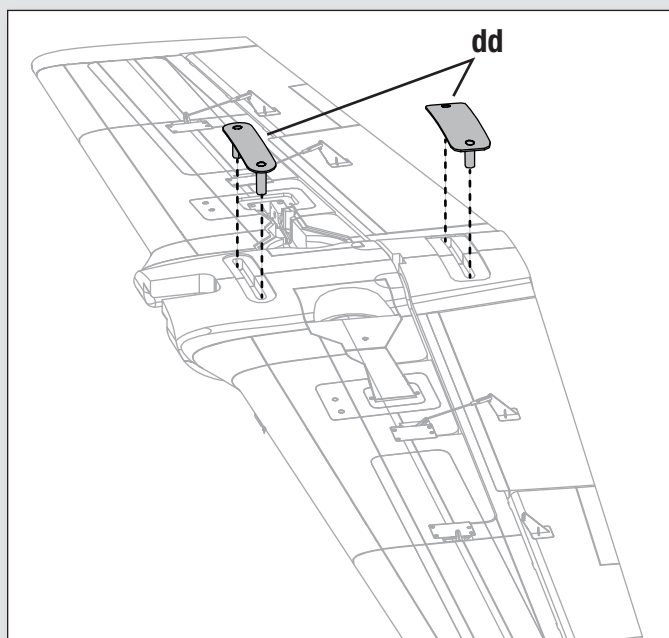
When needed, disassemble in reverse order.



Wing Installation

Wing Assembly

1. Slide both wing tubes into the wing holes. The long tube (**aa**) is installed in the front hole and the short tube (**bb**) is installed in the rear hole.
2. Ensure that the aileron, flap and gear servo wires pass through the square hole (**cc**) to the top side of the wing.
3. Secure the wing together by installing two brackets (**dd**) where the two wing halves join as shown.



Model Assembly *Continued*

Wing Installation *Continued*

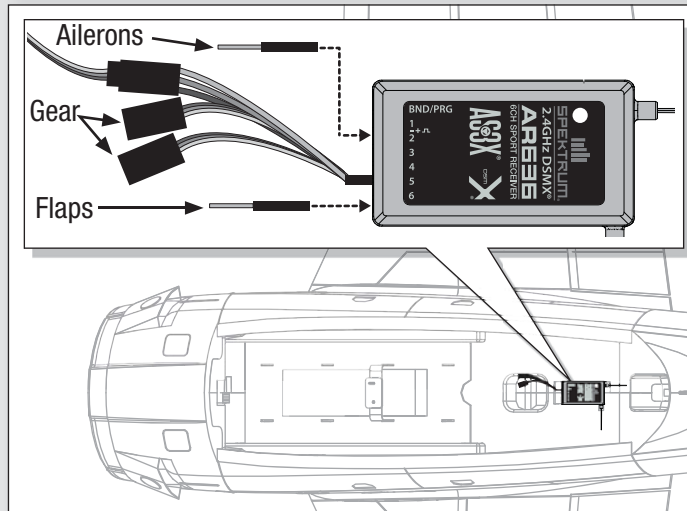
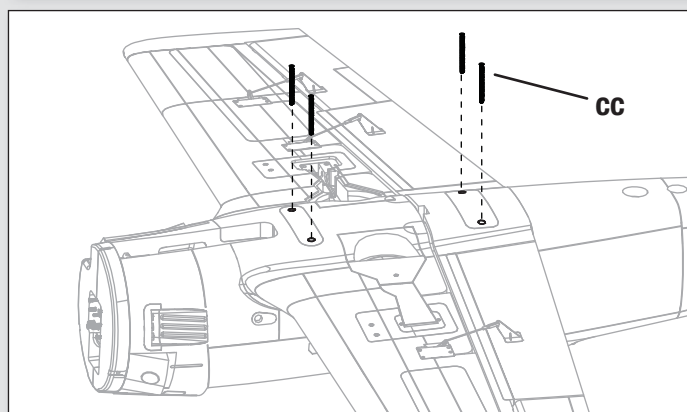
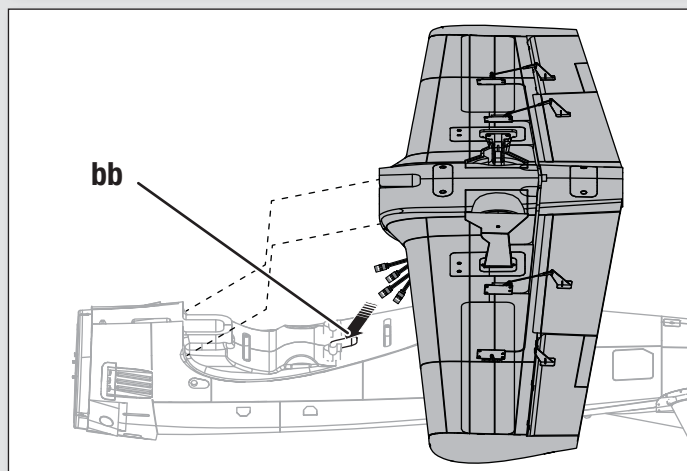
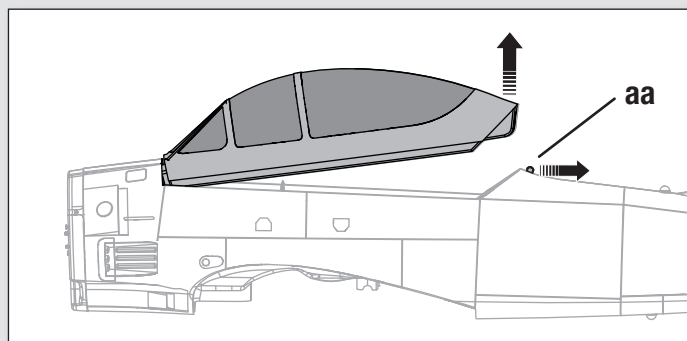
Wing Placement

1. Remove the canopy hatch from the fuselage by pulling back the release button (**aa**), then pull up on the back of the canopy.
2. Turn over the fuselage so the bottom faces up and feed the servo wires through the hole in the fuselage (**bb**).
3. Align the wing with the recess of the fuselage and fit the wing to the fuselage.

! **CAUTION:** DO NOT crush or otherwise damage the wiring when attaching the wing to the fuselage.

4. Secure the wing in place using 4 screws (**cc**) (from bag D).
5. Turn the aircraft over to access the receiver and connect the servo connectors as follows. All servo connections should be labeled.
 - Connect the aileron and flap servo leads as shown using the included Y-harness (from bag F).
 - Connect the main landing gear to the two open leads of the pre-installed three-way Y-harness.
6. Reinstall the canopy hatch.

When needed, disassemble in reverse order.



Model Assembly *Continued*

Motor and Propeller Installation

1. Install the motor with X-mount (**aa**) on the fuselage using 4 screws (**bb**) from bag C.
2. Correctly align and connect the motor wire colors with the ESC wires. Ensure motor spins in the correct direction.
3. Install the cowling (**cc**) on the fuselage using 3 screws (**dd**) from bag E.
4. Install the propeller (**ee**) and spinner nut (**ff**) on the prop shaft. Use a tool through the spinner nut to tighten.

IMPORTANT: The propeller size numbers (14.75 x 10) must face out from the motor for correct propeller operation. Ensure the nut holds the propeller tightly without damaging the propeller.

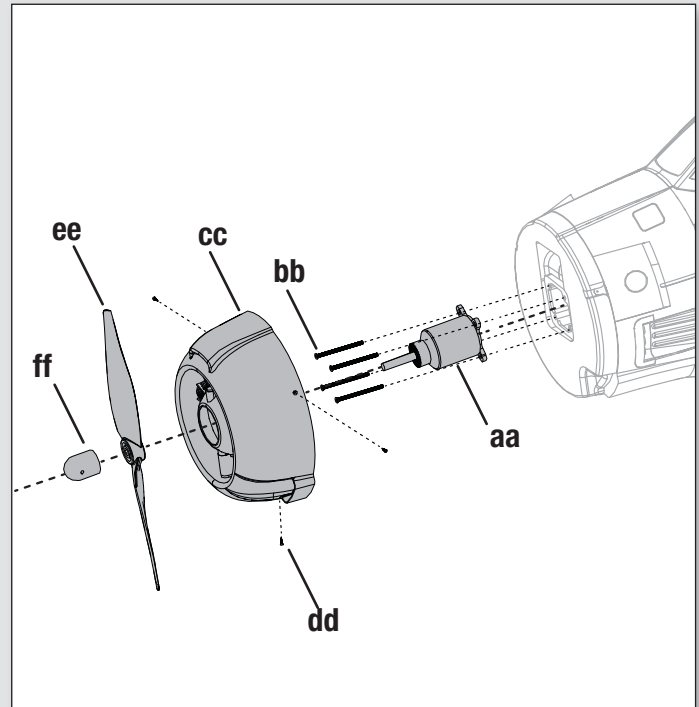
Disassemble in reverse order. Not all wiring shown.

NOTICE: If the propeller is not balanced, the aircraft may vibrate, causing the stabilization system to not operate correctly and/or decrease the life of the servos.

Horizon Hobby does not warrant replacement if the servos are used under extreme vibration or the stabilization system is used with an unbalanced propeller.

For more information, view our propeller balancing video on Horizon Hobby's Youtube channel <https://www.youtube.com/watch?v=0XuNnYQ02s4>

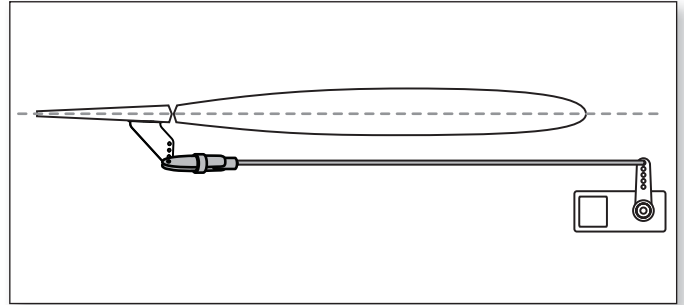
NOTICE: Remove the propeller before radio system setup or accidental injury may occur.



Control Surface Centering

After assembly and transmitter setup, confirm that the control surfaces are centered. If the control surfaces are not centered, mechanically center the control surfaces by adjusting the linkages.

After binding a transmitter to the aircraft receiver, set the trims and sub-trims to 0, then adjust the linkages to center the control surfaces.



Control Horn and Servo Arm Settings

The table to the right shows the factory settings for the control horns and servo arms. Fly the aircraft at factory settings before making changes.

After flying, you may choose to adjust the linkage positions for the desired control response. See the table to the right.

IMPORTANT: If control throws are changed from the factory settings, the AR636 gain values may need to be adjusted. Refer to the Spektrum AR636 manual for adjustment of gain values.

Factory Settings		
	Horns	Arms
Elevator		
Rudder		
Ailerons		
Flaps		

More control throw	Less control throw

Receiver Selection and Installation

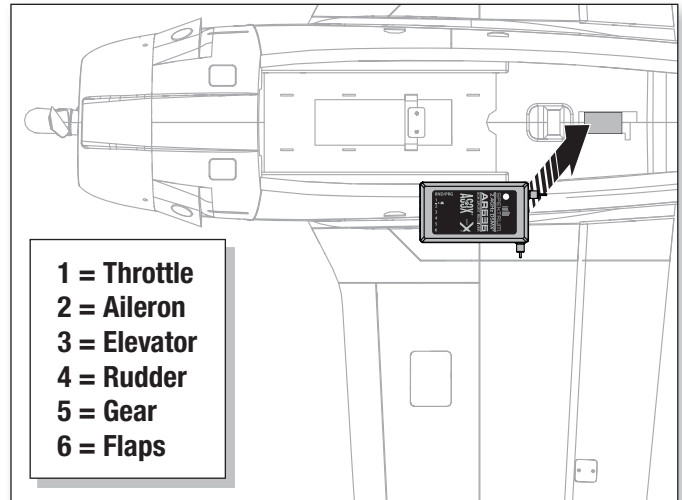
The Spektrum AR636 receiver is recommended for this airplane. If you choose to install another receiver, ensure that it is at least a 6-channel full range (sport) receiver. Refer to your receiver manual for correct installation and operation instructions.

Installation (AR636 shown)

1. Remove the battery hatch from the fuselage.
2. Mount the receiver parallel to the length of the fuselage as shown. Use double-sided servo tape.

CAUTION: Incorrect installation of the receiver could cause a crash.

3. Attach the appropriate control surfaces to their respective ports on the receiver using the chart in the illustration.



Transmitter and Receiver Binding

Binding is the process of programming the receiver to recognize the GUID (Globally Unique Identifier) code of a single specific transmitter. You need to 'bind' your chosen Spektrum™ DSM2®/DSMX® technology equipped aircraft transmitter to the receiver for proper operation.

IMPORTANT: Before binding a transmitter, read the Transmitter Setup section of this manual to ensure that your transmitter is properly programmed for this aircraft.

Binding Procedure

IMPORTANT: The included AR636 receiver has been programmed for operation specifically for this aircraft. Refer to the receiver manual for correct setup if the receiver is replaced or is used in another aircraft.

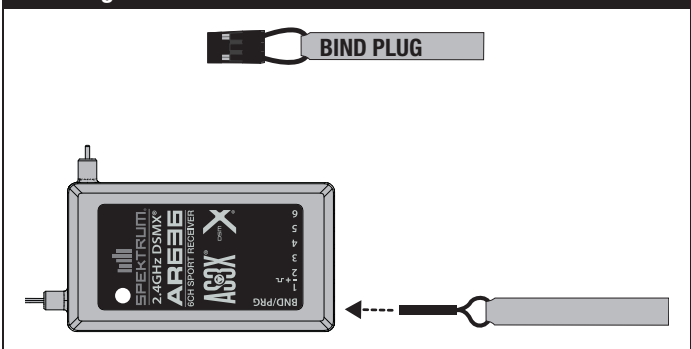
Read the transmitter instructions for binding to a receiver (location of transmitter's Bind control). **Please visit www.bindnfly.com for a complete list of compatible transmitters.**

CAUTION: When using a Futaba® transmitter with a Spektrum DSM module, you must reverse the throttle channel and rebind. Refer to your Spektrum module manual for binding and failsafe instructions. Refer to your Futaba transmitter manual for instructions on reversing the throttle channel.

1. Make sure the transmitter is powered off.
2. Move the transmitter controls to neutral (flight controls: rudder, elevators and ailerons) or to low positions (throttle, throttle trim).**
3. Install a bind plug in the receiver bind port.
4. Connect the flight battery to the ESC. The ESC will produce a series of sounds. 6 short tones confirm that the LVC is set correctly for the ESC. The orange bind LED on the receiver will begin to flash rapidly.
5. Power on the transmitter while holding the transmitter bind button or switch. Refer to your transmitter's manual for binding.
6. When the receiver binds to the transmitter, the orange bind light on the receiver will turn solid and the ESC will produce ascending tones. The tones indicate the ESC is armed, provided the throttle stick and throttle trim are low enough to trigger arming.

7. Remove the bind plug from the bind port.
 8. Safely store the bind plug (some owners attach the bind plug to their transmitter using two-part loops and clips).
 9. The receiver should retain the binding instructions received from the transmitter until another binding is done.
- * The throttle will not arm if the transmitter's throttle control is not put at the lowest position. If you encounter problems, follow the binding instructions and refer to the transmitter troubleshooting guide for other instructions. If needed, contact the appropriate Horizon Product Support office.
- **Failsafe**
If the receiver loses transmitter communication, the failsafe will activate. When activated, the airplane controls return to the neutral position established during step 2 of the binding procedure.

Bind Plug Installation



Battery Installation and ESC Arming

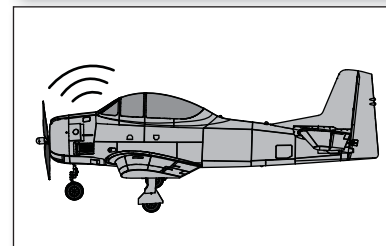
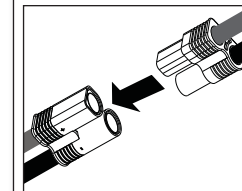
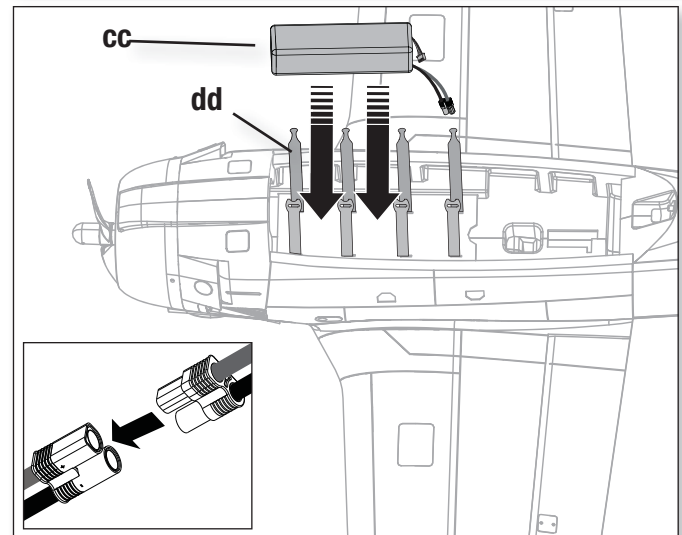
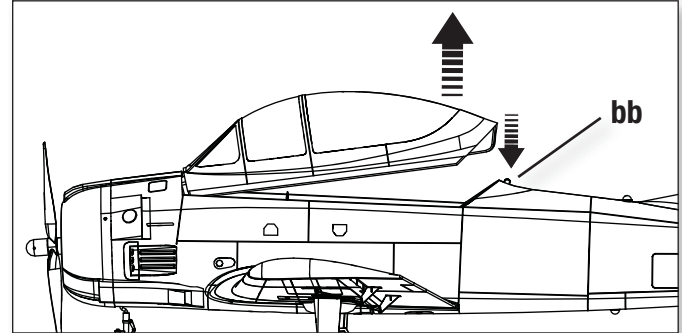
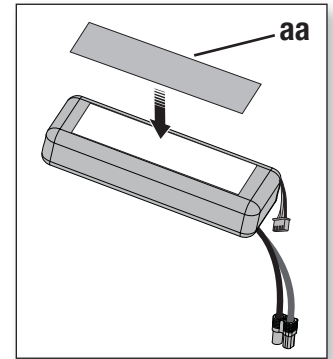
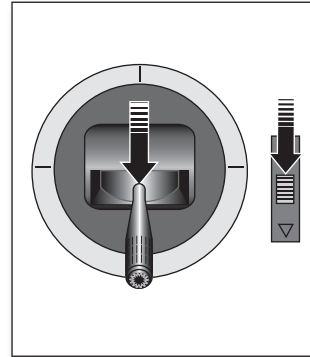
Battery Selection

We recommend the E-flite® 5000mAh 22.2V 6S 30C Li-Po battery (EFLB50006S30). Refer to the Optional Parts List for other recommended batteries. If using a battery other than those listed, the battery should be within the range of capacity, dimensions and weight of the E-flite Li-Po battery packs to fit in the fuselage. Be sure the model balances at the recommended CG.



CAUTION: Always keep hands away from the propeller. When armed, the motor will turn the propeller in response to any throttle movement.

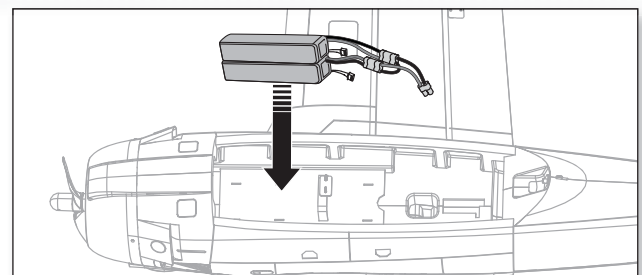
1. Lower the throttle and throttle trim to the lowest settings. Power on the Transmitter, then wait 5 seconds.
2. It is recommended to apply hook and loop tape (**aa**) to the bottom of your battery.
3. Pull back on the release button (**bb**) and remove the battery hatch.
4. Install the fully charged battery (**cc**) in the battery compartment as shown. See the *Adjusting the Center of Gravity* instructions for more information.
5. Make sure the flight battery is secured using the hook and loop straps (**dd**).
6. Connect the battery to the ESC (the ESC is now armed).
7. Keep the aircraft immobile and away from wind or the system will not initialize.
 - The ESC will sound a series of tones (refer to step 6 of the binding instructions for more information).
 - An LED will light on the receiver.
8. Reinstall the canopy hatch.



CAUTION: Always keep hands away from the propeller. When armed, the motor will turn the propeller in response to any throttle movement.

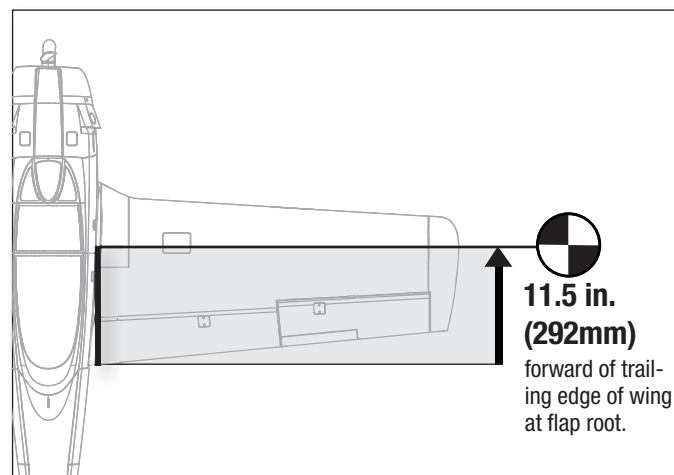
Dual Battery Setup

An optional Y-harness (EFLAEC308 sold separately), is available to connect (2) 3S Li-Po batteries in series to the ESC instead of (1) 6S Li-Po battery. If (2) 3S Li-Po batteries are used, join them in a stack using hook and loop strips. Secure the battery stack in place using the instructions described in steps 2 and 3 above.



Center of Gravity (CG)

The CG location is measured forward from the trailing edge of the wing, at the root of the flap. This CG location has been determined with the recommended battery (EFLB50006S30), with the model balanced inverted, with the landing gear extended. Adjust the battery forward or aft as needed to achieve the proper CG location.



AS3X Control Direction Test

This test ensures that the AS3X® control system is functioning properly. Assemble the aircraft and bind your transmitter to the receiver before performing this test.

1. Raise the throttle just above 25% and then lower the throttle to activate AS3X.

CAUTION: Keep all body parts, hair and loose clothing away from a moving propeller, as these items could become entangled.

2. Move the entire aircraft as shown and ensure the control surfaces move in the direction indicated in the graphic. If the control surfaces do not respond as shown, do not fly the aircraft. Refer to the receiver manual for more information.

Once the AS3X system is active, control surfaces may move rapidly. This is normal. AS3X is active until the battery is disconnected.

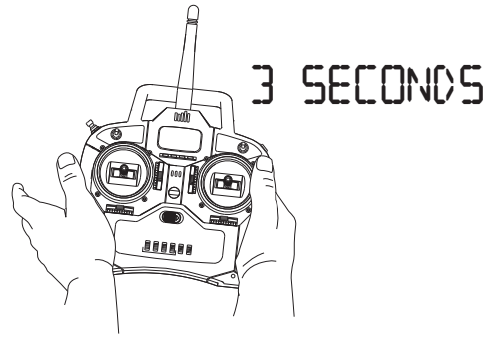
	Aircraft movement	AS3X Reaction
Elevator		
Aileron		
Rudder		

In Flight Trimming

During your first flight, trim the aircraft for level flight at 3/4 throttle. Make small trim adjustments with your transmitter's trim switches to straighten the aircraft's flight path.

After adjusting trim **do not touch the control sticks for 3 seconds**. This allows the receiver to learn the correct settings to optimize AS3X performance.

Failure to do so could affect flight performance.



Flying Tips and Repairs

Consult local laws and ordinances before choosing a flying location.

Flying Field

Always choose a wide-open space for flying your aircraft. It is recommended that you fly at a designated RC flying field. Always avoid flying near houses, trees, wires and buildings. Avoid flying in areas where there are many people, such as parks, schoolyards, or soccer fields.

Range Check your Radio System

Before you fly, range check the radio system. Refer to your specific transmitter instruction manual for range test information.

Understanding Oscillation

Once the AS3X system is active (after advancing the throttle for the first time), you will normally see the control surfaces react to aircraft movement. In some flight conditions, you will see oscillation. If oscillation occurs, decrease airspeed. If oscillation persists, refer to the Troubleshooting Guide for more information.

Takeoff

Place the aircraft in position for takeoff (facing into the wind). Set your transmitter in low rate and gradually increase the throttle from 3/4 to full and steer with the rudder. As the airplane gains speed, gently pull back on the elevator and climb to a comfortable altitude. You may also set flaps to half travel for shorter takeoffs.

Flying

Fly the airplane and trim it for level flight at 3/4 throttle with flaps up. After adjusting trim in flight do not touch the control sticks for 3 seconds. This allows the receiver to learn the correct settings to optimize AS3X performance.

Landing

Tip: To prevent damage to the landing gear doors, it is recommended to remove them when landing in tall grass.

Make sure to land the aircraft into the wind. Start to slow the model down to an approach speed and set the flaps to half travel. If landing in windy conditions, land at half flap travel. If flying in light winds, set flaps to full for final approach. With flaps and retractors extended, fly the aircraft to approximately 36 inches (90 cm) or less above the runway, using a small amount of throttle for the entire descent. Keep the throttle on until the aircraft is ready to flare. During flare, keep the wings level and the aircraft pointed into the wind. Gently lower the throttle while pulling back on the elevator to bring the aircraft down on its wheels.

Refer to the Dual Rates and expo chart for proper flap to elevator mix to help reduce the pitching tendency from flaps.

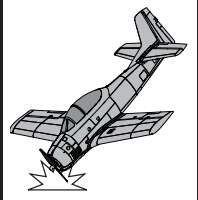
NOTICE: When using flaps with this airplane, down elevator to flap mixing is required. Failure to do so may result in loss of control or a crash.

NOTICE: If a crash is imminent, reduce the throttle and trim fully. Failure to do so could result in extra damage to the airframe, as well as damage to the ESC and motor.

NOTICE: After any impact, always ensure the receiver is secure in the fuselage. If you replace the receiver, install the new receiver in the same orientation as the original receiver or damage may result.

NOTICE: Crash damage is not covered under warranty.

WARNING: Always decrease throttle at propeller strike.



NOTICE: When you are finished flying, never leave the airplane in direct sunlight or a hot, enclosed area such as a car. Doing so can damage the foam.

Low Voltage Cutoff (LVC)

When a Li-Po battery is discharged below 3V per cell, it will not hold a charge. The ESC protects the flight battery from over-discharge using Low Voltage Cutoff (LVC). Before the battery charge decreases too much, LVC removes power supplied to the motor. Power to the motor pulses, showing that some battery power is reserved for flight control and safe landing.

Disconnect and remove the Li-Po battery from the aircraft after use to prevent trickle discharge. Charge your Li-Po battery to about half capacity before storage. During storage, make sure the battery charge does not fall below 3V per cell. LVC does not prevent the battery from over-discharge during storage.

NOTICE: Repeated flying to LVC will damage the battery.

Tip: Monitor your aircraft battery's voltage before and after flying by using a Li-Po Cell Voltage Checker (EFLA111, sold separately).

Repairs

Thanks to the Z-Foam™ material in this aircraft, repairs to the foam can be made using virtually any adhesive (hot glue, regular CA, epoxy, etc). When parts are not repairable, see the Replacement Parts List for ordering by item number. For a listing of all replacement and optional parts, refer to the list at the end of this manual.

NOTICE: Use of CA accelerant on your aircraft can damage paint. DO NOT handle the aircraft until accelerant fully dries.

Post Flight Checklist

1	Disconnect the flight battery from the ESC (Required for Safety and battery life).	5	Repair or replace all damaged parts.
2	Power OFF the transmitter.	6	Store the flight battery apart from the aircraft and monitor the battery charge.
3	Remove the flight battery from the aircraft.	7	Make note of the flight conditions and flight plan results, planning for future flights.
4	Recharge the flight battery.		

Troubleshooting Guide AS3X

Problem	Possible Cause	Solution
Oscillation	Flying over recommended airspeed	Reduce air speed
	Damaged propeller or spinner	Replace propeller or spinner
	Imbalanced propeller	Balance the propeller. For more information, view our propeller balancing video on Horizon Hobby's YouTube channel https://www.youtube.com/watch?v=OXuNnYQ02s4
	Flight condition variations	Adjust gain to current flight conditions (wind, updrafts, local conditions [elevation, humidity, temperature, etc.]
	Motor vibration	Replace parts or correctly align all parts and tighten fasteners as needed
	Loose receiver	Align and secure receiver in fuselage
	Loose aircraft controls	Tighten or otherwise secure parts (servo, arm, linkage, horn and control surface)
	Worn parts	Adjust gain to compensate for parts wear or replace worn parts (especially propeller, pivot points or servo)
	Irregular servo rotation	Replace servo
	If oscillation persists...	Decrease gain (refer to receiver manual)
Inconsistent flight performance	During in flight trimming, the user did not wait the required 3 seconds for new trim settings to be learned by the AS3X system	After adjusting trim in flight do not touch the control sticks for 3 seconds. Allow for the new trim settings to be learned by the AS3X system
Incorrect response to the AS3X Control Direction Test	Incorrect direction settings in the receiver, which can cause a crash	DO NOT fly. Correct the direction settings (refer to the receiver manual), then fly

Troubleshooting Guide

Problem	Possible Cause	Solution
Aircraft will not respond to throttle but responds to other controls	Throttle not at idle and/or throttle trim too high	Reset controls with throttle stick and throttle trim at lowest setting
	Throttle servo travel is lower than 100%	Make sure throttle servo travel is 100% or greater
	Throttle channel is reversed	Reverse throttle channel on transmitter
	Motor disconnected from ESC	Make sure motor is connected to the ESC
Extra propeller noise or extra vibration	Damaged propeller and spinner, collet or motor	Replace damaged parts
	Propeller is out of balance	Balance or replace propeller
	Prop nut is too loose	Tighten the prop nut
	Spinner is not tight or fully seated in place	Tighten the spinner or remove the spinner and turn it 180 degrees
Reduced flight time or aircraft under-powered	Flight battery charge is low	Completely recharge flight battery
	Propeller installed backwards	Install propeller with numbers facing forward
	Flight battery damaged	Replace flight battery and follow flight battery instructions
	Flight conditions may be too cold	Make sure battery is warm before use
	Battery capacity too low for flight conditions	Replace battery or use a larger capacity battery
Aircraft will not Bind (during binding) to transmitter	Transmitter too near aircraft during binding process	Move powered transmitter a few feet from aircraft, disconnect and reconnect flight battery to aircraft
	Aircraft or transmitter is too close to large metal object, wireless source or another transmitter	Move aircraft and transmitter to another location and attempt binding again
	The bind plug is not installed correctly in the bind port	Install bind plug in bind port and bind the aircraft to the transmitter
	Flight battery/transmitter battery charge is too low	Replace/recharge batteries
	Bind switch or button not held long enough during bind process	Power off transmitter and repeat bind process. Hold transmitter bind button or switch until receiver is bound
Aircraft will not connect (after binding) to transmitter	Transmitter too near aircraft during connecting process	Move powered transmitter a few feet from aircraft, disconnect and reconnect flight battery to aircraft
	Aircraft or transmitter is too close to large metal object, wireless source or another transmitter	Move aircraft and transmitter to another location and attempt connecting again
	Bind plug left installed in bind port	Rebind transmitter to the aircraft and remove the bind plug before cycling power
	Aircraft bound to different model memory (ModelMatch™ radios only)	Select correct model memory on transmitter
	Flight battery/Transmitter battery charge is too low	Replace/recharge batteries
	Transmitter may have been bound to a different aircraft using different DSM protocol	Bind aircraft to transmitter
Control surface does not move	Control surface, control horn, linkage or servo damage	Replace or repair damaged parts and adjust controls
	Wire damaged or connections loose	Do a check of wires and connections, connect or replace as needed
	Transmitter is not bound correctly or the incorrect airplanes was selected	Re-bind or select correct airplanes in transmitter
	Flight battery charge is low	Fully recharge flight battery
	BEC (Battery Elimination Circuit) of the ESC is damaged	Replace ESC
Motor power pulses then motor loses power	ESC uses default soft Low Voltage Cutoff (LVC)	Recharge flight battery or replace battery that is no longer performing
	Weather conditions might be too cold	Postpone flight until weather is warmer
	Battery is old, worn out, or damaged	Replace battery
	Battery C rating might be too small	Use recommended battery

AMA National Model Aircraft Safety Code

Effective January 1, 2014

A. GENERAL

A model aircraft is a non-human-carrying aircraft capable of sustained flight in the atmosphere. It may not exceed limitations of this code and is intended exclusively for sport, recreation, education and/or competition. All model flights must be conducted in accordance with this safety code and any additional rules specific to the flying site.

1. Model aircraft will not be flown:
 - (a) In a careless or reckless manner.
 - (b) At a location where model aircraft activities are prohibited.
2. Model aircraft pilots will:
 - (a) Yield the right of way to all man carrying aircraft.
 - (b) See and avoid all aircraft and a spotter must be used when appropriate. (AMA Document #540-D.)
 - (c) Not fly higher than approximately 400 feet above ground level within three (3) miles of an airport, without notifying the airport operator.
 - (d) Not interfere with operations and traffic patterns at any airport, heliport or seaplane base except where there is a mixed use agreement.
 - (e) Not exceed a takeoff weight, including fuel, of 55 pounds unless in compliance with the AMA Large Model Aircraft program. (AMA Document 520-A.)
 - (f) Ensure the aircraft is identified with the name and address or AMA number of the owner on the inside or affixed to the outside of the model aircraft. (This does not apply to model aircraft flown indoors.)
 - (g) Not operate aircraft with metal-blade propellers or with gaseous boosts except for helicopters operated under the provisions of AMA Document #555.
 - (h) Not operate model aircraft while under the influence of alcohol or while using any drug which could adversely affect the pilot's ability to safely control the model.
 - (i) Not operate model aircraft carrying pyrotechnic devices which explode or burn, or any device which propels a projectile or drops any object that creates a hazard to persons or property.

Exceptions:

 - Free Flight fuses or devices that burn producing smoke and are securely attached to the model aircraft during flight.
 - Rocket motors (using solid propellant) up to a G-series size may be used provided they remain attached to the model during flight. Model rockets may be flown in accordance with the National Model Rocketry Safety Code but may not be launched from model aircraft.
 - Officially designated AMA Air Show Teams (AST) are authorized to use devices and practices as defined within the Team AMA Program Document (AMA Document #718).
 - (j) Not operate a turbine-powered aircraft, unless in compliance with the AMA turbine regulations. (AMA Document #510-A).
3. Model aircraft will not be flown in AMA sanctioned events, air shows or model demonstrations unless:
 - (a) The aircraft, control system and pilot skills have successfully demonstrated all maneuvers intended or anticipated prior to the specific event.
 - (b) An inexperienced pilot is assisted by an experienced pilot.
4. When and where required by rule, helmets must be properly worn and fastened. They must be OSHA, DOT, ANSI, SNELL or NOCSAE approved or comply with comparable standards.

B. RADIO CONTROL

1. All pilots shall avoid flying directly over unprotected people, vessels, vehicles or structures and shall avoid endangerment of life and property of others.
2. A successful radio equipment ground-range check in accordance with manufacturer's recommendations will be completed before the first flight of a new or repaired model aircraft.
3. At all flying sites a safety line(s) must be established in front of which all flying takes place (AMA Document #706.)
 - (a) Only personnel associated with flying the model aircraft are allowed at or in front of the safety line.
 - (b) At air shows or demonstrations, a straight safety line must be established.
 - (c) An area away from the safety line must be maintained for spectators.
 - (d) Intentional flying behind the safety line is prohibited.
4. RC model aircraft must use the radio-control frequencies currently allowed by the Federal Communications Commission (FCC). Only individuals properly licensed by the FCC are authorized to operate equipment on Amateur Band frequencies.
5. RC model aircraft will not operate within three (3) miles of any pre-existing flying site without a frequency-management agreement (AMA Documents #922 and #923.)
6. With the exception of events flown under official AMA Competition Regulations, excluding takeoff and landing, no powered model may be flown outdoors closer than 25 feet to any individual, except for the pilot and the pilot's helper(s) located at the flight line.
7. Under no circumstances may a pilot or other person touch a model aircraft in flight while it is still under power, except to divert it from striking an individual.
8. RC night flying requires a lighting system providing the pilot with a clear view of the model's attitude and orientation at all times. Hand-held illumination systems are inadequate for night flying operations.
9. The pilot of a RC model aircraft shall:
 - (a) Maintain control during the entire flight, maintaining visual contact without enhancement other than by corrective lenses prescribed for the pilot.
 - (b) Fly using the assistance of a camera or First-Person View (FPV) only in accordance with the procedures outlined in AMA Document #550.
 - (c) Fly using the assistance of autopilot or stabilization system only in accordance with the procedures outlined in AMA Document #560.

Please see your local or regional modeling association's guidelines for proper, safe operation of your model aircraft.

Limited Warranty

What this Warranty Covers

Horizon Hobby, LLC, (Horizon) warrants to the original purchaser that the product purchased (the "Product") will be free from defects in materials and workmanship at the date of purchase.

What is Not Covered

This warranty is not transferable and does not cover (i) cosmetic damage, (ii) damage due to acts of God, accident, misuse, abuse, negligence, commercial use, or due to improper use, installation, operation or maintenance, (iii) modification of or to any part of the Product, (iv) attempted service by anyone other than a Horizon Hobby authorized service center, (v) Product not purchased from an authorized Horizon dealer, or (vi) Product not compliant with applicable technical regulations, or (vii) use that violates any applicable laws, rules, or regulations.

OTHER THAN THE EXPRESS WARRANTY ABOVE, HORIZON MAKES NO OTHER WARRANTY OR REPRESENTATION, AND HEREBY DISCLAIMS ANY AND ALL IMPLIED WARRANTIES, INCLUDING, WITHOUT LIMITATION, THE IMPLIED WARRANTIES OF NON-INFRINGEMENT, MERCHANTABILITY AND FITNESS FOR A PARTICULAR PURPOSE. THE PURCHASER ACKNOWLEDGES THAT THEY ALONE HAVE DETERMINED THAT THE PRODUCT WILL SUITABLY MEET THE REQUIREMENTS OF THE PURCHASER'S INTENDED USE.

Purchaser's Remedy

Horizon's sole obligation and purchaser's sole and exclusive remedy shall be that Horizon will, at its option, either (i) service, or (ii) replace, any Product determined by Horizon to be defective. Horizon reserves the right to inspect any and all Product(s) involved in a warranty claim. Service or replacement decisions are at the sole discretion of Horizon. Proof of purchase is required for all warranty claims. SERVICE OR REPLACEMENT AS PROVIDED UNDER THIS WARRANTY IS THE PURCHASER'S SOLE AND EXCLUSIVE REMEDY.

Limitation of Liability

HORIZON SHALL NOT BE LIABLE FOR SPECIAL, INDIRECT, INCIDENTAL OR CONSEQUENTIAL DAMAGES, LOSS OF PROFITS OR PRODUCTION OR COMMERCIAL LOSS IN ANY WAY, REGARDLESS OF WHETHER SUCH CLAIM IS BASED IN CONTRACT, WARRANTY, TORT, NEGLIGENCE, STRICT LIABILITY OR ANY OTHER THEORY OF LIABILITY, EVEN IF HORIZON HAS BEEN ADVISED OF THE POSSIBILITY OF SUCH DAMAGES. Further, in no event shall the liability of Horizon exceed the individual price of the Product on which liability is asserted. As Horizon has no control over use, setup, final assembly, modification or misuse, no liability shall be assumed nor accepted for any resulting damage or injury. By the act of use, setup or assembly, the user accepts all resulting liability. If you as the purchaser or user are not prepared to accept the liability associated with the use of the Product, purchaser is advised to return the Product immediately in new and unused condition to the place of purchase.

Law

These terms are governed by Illinois law (without regard to conflict of law principals). This warranty gives you specific legal rights, and you may also have other rights which vary from state to state. Horizon reserves the right to change or modify this warranty at any time without notice.

WARRANTY SERVICES

Questions, Assistance, and Services

Your local hobby store and/or place of purchase cannot provide warranty support or service. Once assembly, setup or use of the Product has been started, you must contact your local distributor or Horizon directly. This will enable Horizon to better answer your questions and service you in the event that you may need any assistance. For questions or assistance, please visit our website at www.horizonhobby.com, submit a Product Support Inquiry, or call the toll free telephone number referenced in the Warranty and Service Contact Information section to speak with a Product Support representative.

Inspection or Services

If this Product needs to be inspected or serviced and is compliant in the country you live and use the Product in, please use the Horizon Online Service Request submission process found on our website or call Horizon to obtain a Return Merchandise Authorization (RMA) number. Pack the Product securely using a shipping carton. Please note that original boxes may be included, but are not designed to withstand the rigors of shipping without additional

protection. Ship via a carrier that provides tracking and insurance for lost or damaged parcels, as Horizon is not responsible for merchandise until it arrives and is accepted at our facility. An Online Service Request is available at http://www.horizonhobby.com/content/_service-center_render-service-center. If you do not have internet access, please contact Horizon Product Support to obtain a RMA number along with instructions for submitting your product for service. When calling Horizon, you will be asked to provide your complete name, street address, email address and phone number where you can be reached during business hours. When sending product into Horizon, please include your RMA number, a list of the included items, and a brief summary of the problem. A copy of your original sales receipt must be included for warranty consideration. Be sure your name, address, and RMA number are clearly written on the outside of the shipping carton.

NOTICE: Do not ship LiPo batteries to Horizon. If you have any issue with a LiPo battery, please contact the appropriate Horizon Product Support office.

Warranty Requirements

For Warranty consideration, you must include your original sales receipt verifying the proof-of-purchase date. Provided warranty conditions have been met, your Product will be serviced or replaced free of charge. Service or replacement decisions are at the sole discretion of Horizon.

Non-Warranty Service

Should your service not be covered by warranty, service will be completed and payment will be required without notification or estimate of the expense unless the expense exceeds 50% of the retail purchase cost. By submitting the item for service you are agreeing to payment of the service without notification. Service estimates are available upon request. You must include this request with your item submitted for service. Non-warranty service estimates will be billed a minimum of ½ hour of labor. In addition you will be billed for return freight. Horizon accepts money orders and cashier's checks, as well as Visa, MasterCard, American Express, and Discover cards. By submitting any item to Horizon for service, you are agreeing to Horizon's Terms and Conditions found on our website http://www.horizonhobby.com/content/_service-center_render-service-center.

ATTENTION: Horizon service is limited to Product compliant in the country of use and ownership. If received, a non-compliant Product will not be serviced. Further, the sender will be responsible for arranging return shipment of the un-serviced Product, through a carrier of the sender's choice and at the sender's expense. Horizon will hold non-compliant Product for a period of 60 days from notification, after which it will be discarded.

Contact Information

Country of Purchase	Horizon Hobby	Phone Number/Email Address	Address
United States of America	Horizon Service Center (Repairs and Repair Requests)	servicecenter.horizonhobby.com/ RequestForm/	4105 Fieldstone Rd Champaign, Illinois, 61822 USA
	Horizon Product Support (Product Technical Assistance)	www.quickbase.com/db/ bgjh7ey8c?a=GenNewRecord 888-959-2305	
	Sales	sales@horizonhobby.com 888-959-2305	
United Kingdom	Service/Parts/Sales: Horizon Hobby Limited	sales@horizonhobby.co.uk +44 (0) 1279 641 097	Units 1–4 , Ployters Rd, Staple Tye Harlow, Essex, CM18 7NS, United Kingdom
Germany	Horizon Technischer Service Sales: Horizon Hobby GmbH	service@horizonhobby.de +49 (0) 4121 2655 100	Christian-Junge-Straße 1 25337 Elmshorn, Germany
France	Service/Parts/Sales: Horizon Hobby SAS	infofrance@horizonhobby.com +33 (0) 1 60 18 34 90	11 Rue Georges Charpak 77127 Lieusaint, France
China	Service/Parts/Sales: Horizon Hobby – China	info@horizonhobby.com.cn +86 (021) 5180 9868	Room 506, No. 97 Changshou Rd. Shanghai, China 200060

FCC Information

Operation is subject to the following two conditions: (1) This device may not cause harmful interference, and (2) this device must accept any interference received, including interference that may cause undesired operation.

This product contains a radio transmitter with wireless technology which has been tested and found to be compliant with the applicable regulations governing a radio transmitter in the 2.400GHz to 2.4835GHz frequency range.



CAUTION: Changes or modifications not expressly approved by the party responsible for compliance could void the user's authority to operate the equipment.

IC Information

This device complies with Industry Canada licence-exempt RSS standard(s). Operation is subject to the following two conditions: (1) this device may not

cause interference, and (2) this device must accept any interference, including interference that may cause undesired operation of the device.

Compliance Information for the European Union



EFL Carbon-Z T-28 BNF (EFL1350)

EU Compliance Statement: Horizon Hobby, LLC hereby declares that this product is in compliance with the essential requirements and other relevant provisions of the R&TTE and EMC Directive.

EFL Carbon-Z T-28 PNP (EFL1375)

EU Compliance Statement: Horizon Hobby, LLC hereby declares that this product is in compliance with the essential requirements and other relevant provisions of the EMC Directive.

A copy of the EU Declaration of Conformity is available online at: <http://www.horizonhobby.com/content/support-render-compliance>.

Instructions for disposal of WEEE by users in the European Union



This product must not be disposed of with other waste. Instead, it is the user's responsibility to dispose of their waste equipment by handing it over to a designated collections point for the recycling of waste electrical and electronic equipment. The separate collection and recycling of your waste equipment at the time of disposal will help to conserve natural resources and ensure that it is recycled in a manner that protects human health and the environment. For more information about where you can drop off your waste equipment for recycling, please contact your local city office, your household waste disposal service or where you purchased the product.

Informazioni per i contatti

Paese di acquisto	Horizon Hobby	Telefono / indirizzo e-mail	Indirizzo
Germania	Horizon Technischer Service Sales: Horizon Hobby GmbH	service@horizonhobby.de +49 (0) 4121 2655 100	Christian-Junge-Straße 1 25337 Elmshorn, Germania

Informazioni sulla conformità per l'Unione Europea



EFL Carbon-Z T-28 BNF (EFL1350)

EU Compliance Statement: Dichiarazione di Conformità EU: Horizon Hobby, LLC con la presente dichiara che il prodotto è conforme ai requisiti essenziali e ad altre disposizioni rilevanti del R&TTE direttiva EMC.

EFL Carbon-Z T-28 PNP (EFL1375)

EU Compliance Statement: Dichiarazione di Conformità EU: Horizon Hobby, LLC con la presente dichiara che il prodotto è conforme ai requisiti essenziali e ad altre disposizioni rilevanti del direttiva EMC.

Una copia della dichiarazione di conformità per l'Unione Europea è disponibile a: <http://www.horizonhobby.com/content/support-render-compliance>.

Istruzioni per lo smaltimento RAEE da parte degli utenti dell'Unione Europea



Questo prodotto non deve essere smaltito assieme ai rifiuti domestici. Al contrario, l'utente è responsabile dello smaltimento di tali rifiuti, che devono essere portati in un centro di raccolta designato per il riciclaggio di rifiuti elettrici e apparecchiature elettroniche. La raccolta differenziata e il riciclaggio di tali rifiuti provenienti da apparecchiature, nel momento dello smaltimento aiuteranno a preservare le risorse naturali e garantiranno un riciclaggio adatto a proteggere il benessere dell'uomo e dell'ambiente. Per maggiori informazioni sui centri di raccolta, contattare il proprio ufficio locale, il servizio di smaltimento rifiuti o il negozio presso il quale è stato acquistato il prodotto.

Replacement Parts • Ersatzteile • Pièces de rechange • Pezzi di ricambio

Part # Nummer Numéro Codice	Description	Beschreibung	Description	Descrizione
EFL1301	Spinner Nut: Carbon-Z T-28	Spinner Mutter: Carbon-Z T-28	Carbon-Z T-28 - Ecrou cône	Dado ogiva: Carbon-Z T-28
EFL1302	Decal Sheet: Carbon-Z T-28	Dekorbogen: Carbon-Z T-28	Carbon-Z T-28 - Planche de décoration	Foglio adesivi: Carbon-Z T-28
EFL1303	Cowling: Carbon-Z T-28	Motorhaube: Carbon-Z T-28	Carbon-Z T-28 - Capot	Capottina: Carbon-Z T-28
EFL1304	Prop Adapter: Carbon-Z T-28	Propelleradapter: Carbon-Z T-28	Carbon-Z T-28 - Adaptateur d'hélice	Adattatore elica: Carbon-Z T-28
EFL1305	Wingtube Set: Carbon-Z T-28	Tragflächenverbinder: Carbon-Z T-28	Carbon-Z T-28 - Clé d'aile	Set tubo ala: Carbon-Z T-28
EFL1306	Pilot: Carbon-Z T-28	Pilot: Carbon-Z T-28	Carbon-Z T-28 - Pilote	Pilota: Carbon-Z T-28
EFL1307	Retract Struts and Gear Doors Set: Carbon-Z T-28	Fahrwerksstreben und -Türen Set: Carbon-Z T-28	Carbon-Z T-28 - Trappes et habillages de train	Set gambe e portelli carrello retrattile: Carbon-Z T-28
EFLG1308	Nose Gear Electric Retract Unit (1): Carbon-Z T-28	Nose Gear Electric Retract Unit (1): Carbon-Z T-28	Carbon-Z T-28 - Jambe de nez rétractable (1)	Carrello retrattile elettrico anteriore (1): Carbon-Z T-28
EFLG1309	Main Gear Electric Retract Unit (1): Carbon-Z T-28	EZFW Hauptfw. (1): Carbon-Z T-28	Carbon-Z T-28 - Jambe principale rétractable (1)	Carrello retrattile elettrico principale (1): Carbon-Z T-28
EFL1310	Wheel Set (3): Carbon-Z T-28	Rad Set (3): Carbon-Z T-28	Carbon-Z T-28 - Roues (3)	Set ruote (3): Carbon-Z T-28
EFL1311	Vertical Tail with Hardware: Carbon-Z T-28	Seitenleitwerk mit Zubehör: Carbon-Z T-28	Carbon-Z T-28 - Dérive avec accessoires	Impennaggio verticale con meccanica: Carbon-Z T-28
EFL1312	Canopy Hatch with Pilot: Carbon-Z T-28	Kabinenhaube mit Pilot: Carbon-Z T-28	Carbon-Z T-28 - Cockpit avec pilote	Capottina con pilota: Carbon-Z T-28
EFLM1315	60-Size Brushless Outrunner Motor: 500Kv	60-Size Brushless Ausßenläufer Motor 500Kv	Moteur brushless Classe 60 à cage tournante 500Kv	Motore brushless outrunner classe 60: 500Kv
EFL1320	Painted Left Wing: Carbon-Z T-28	Tragfläche links lackiert: Carbon-Z T-28	Carbon-Z T-28 - Aile gauche peinte	Ala sinistra verniciata: Carbon-Z T-28
EFL1321	Painted Right Wing: Carbon-Z T-28	Tragfläche rechts lackiert: Carbon-Z T-28	Carbon-Z T-28 - Aile droite peinte	Ala destra verniciata: Carbon-Z T-28
EFL1322	Pushrod Set: Carbon-Z T-28	Gestänge: Carbon-Z T-28	Carbon-Z T-28 - Set de tringleries	Set aste comandi: Carbon-Z T-28
EFL1323	Hardware Set: Carbon-Z T-28	Gestänge: Carbon-Z T-28	Carbon-Z T-28 - Accessoires	Set viteria: Carbon-Z T-28
EFL1325	Horizontal Stabilizer Set: Carbon-Z T-28	Höhenleitwerk Set Carbon-Z T-28	Carbon-Z T-28 - Stabilisateur	Set stabilizzatore orizzontale: Carbon-Z T-28
EFL1328	Motor X-Mount: Carbon-Z T-28	X Motor Träger : Carbon-Z T-28	Carbon-Z T-28 - Support moteur en "X"	Supporto a X per motore: Carbon-Z T-28
EFL1267	Painted Fuselage w/out Cowl or Hatch: CZ T28	Rumpf lackiert ohne Motorhaube u. Kabinenhaube	Carbon-Z T-28 - Fuselage peint sans capot, sans cockpit	Fusoliera verniciata senza naca e capottina: CZ T28
EFLA1070EC5	70-Amp, Switch Mode BEC, Brushless ESC w/EC5	70-Amp, Switch Mode BEC, Brushless ESC w/EC5	Contrôleur brushless 70A, BEC, prise EC5	ESC brushless 70A con BEC switch c/EC5
EFLP1475102E	Propeller, 14.75 x 10 2 Blade	70-Amp, Switch Mode BEC, Brushless ESC w/EC5	Hélice bipale 14.75 x 10	Elica, 14.75 x 10 2 pale
SPMSA500	25g Metal Gear Servo	25g MG Servo	Servo 25g à pignons métal	Servocomando 25g c/ingran. metallo
SPMSA320B	16g Metal Gear Servo	16g MG Servo	Servo 16g à pignons métal	Servocomando 16g c/ingran. metallo
SPMAR636	AR636 6-Channel AS3X Sport Receiver	AR636 6-Kanal AS3X Sport Empfänger	Récepteur AR636 6 voies avec AS3X	Ricevitore sport AR636 6 canali AS3X

Optional Parts • Optionale Bauteile • Pièces optionnelles • Pezzi opzionali

Part # Nummer Numéro Codice	Description	Beschreibung	Description	Descrizione
WGT201	Wingtote LLC Extreme Little Tote Double 42"x22"x14" Red/Black	Wingtote LLC Extreme Little Tote Double 42"x22"x14" Red/Black	Sac de transport d'ailes 106.6 x 55.8 x 35.5 cm	Borsa per ali LLC Extreme Little Tote Double 107x56x36 cm Rosso/Nero
EFLB44006S30	4400mAh 6S 22.2V 30C LiPo, 10AWG EC5	4400mAh 6S 22.2V 30C LiPo, 10AWG EC5	Batterie Li-Po 6S 22.2V 4400mA 30C, prise EC5	4400mAh 6S 22.2V 30C LiPo, 10AWG EC5
EFLB50006S50	5000mAh 6S 22.2V 50C LiPo, 10AWG EC5	5000mAh 6S 22.2V 50C LiPo, 10AWG EC5	Batterie Li-Po 6S 22.2V 5000mA 50C, prise EC5	5000mAh 6S 22.2V 50C LiPo, 10AWG EC5
EFLB40006S30	4000mAh 6S 22.2V 30C LiPo, 12AWG EC3	4000mAh 6S 22.2V 30C LiPo, 12AWG EC3	Batterie Li-Po 6S 22.2V 4000mA 30C, prise EC3	4000mAh 6S 22.2V 30C LiPo, 12AWG EC3
EFLB50006S30	5000mAh 6S 22.2V 30C LiPo, 12AWG EC3	5000mAh 6S 22.2V 30C LiPo, 12AWG EC3	Batterie Li-Po 6S 22.2V 5000mA 30C, prise EC3	5000mAh 6S 22.2V 30C LiPo, 12AWG EC3
DYNC3010	Passport Ultra Force 220W Touch Battery Charger	Passport Ultra Force 220W Touch Akku Ladegerät	Chargeur Passport Ultra Force 220W tactile	Carica batterie Passport Ultra Force 220W Touch
DYNC4300	Passport Duo 400W Dual AC/DC Charger	Passport Duo 400W Dual AC/DC Ladegerät	Chargeur Passport Duo 400W double sortie	Carica batterie Passport Duo 400W doppia alim. AC/DC
DYNC0030	Dynamite EC5 Battery To EC3 Device	Dynamite EC5 Akku auf EC Stecker	Adaptateur Dynamite Batterie EC5 vers EC3 Contrôleur	Da batteria Dynamite EC5 a dispositivo EC3
DYNC0014	Dynamite EC3 Battery Series Harness	Dynamite EC3 serielles Kabel	Cordon Dynamite de branchement série, prise EC3	Cablaggio batteria EC3
SPMA380	AS3X Programming Cable - Audio Interface	Spektrum Audio-Interface AS3X Empfänger Programmierkabel	Câble de programmation audio AS3X pour smartphone	Cavo di programmazione AS3X - Interfaccia audio
SPMA3065	AS3X Programming Cable - USB Interface	Spektrum USB-Interface AS3X Empfänger Programmierkabel	Câble de programmation USB AS3X pour PC	Cavo di programmazione AS3X - Interfaccia USB
EFLA111	Li-Po Cell Voltage Checker	Li-Po Cell Voltage Checker	Testeur de tension d'éléments Li-Po	Voltmetro verifica batterie LiPo
DYN1405	Li-Po Charge Protection Bag, Large	Dynamite LiPoCharge Protection Bag groß	Sac de charge Li-Po, grand modèle.	Sacchetto grande di protezione per carica LiPo
	DX6 DSMX 6-Channel Transmitter	Spektrum DX6 DSMX 6-Kanal Sender	Emetteur DX6 DSMX 6 voies	DX6 DSMX Trasmettitore 6 canali
	DX7 DSMX 7-Channel Transmitter	Spektrum DX7 DSMX 7 Kanal Sender	Emetteur DX7 DSMX 7 voies	DX7 DSMX Trasmettitore 7 canali
	DX9 DSMX 9-Channel Transmitter	Spektrum DX9 DSMX 9 Kanal Sender	Emetteur DX9 DSMX 9 voies	DX9 DSMX Trasmettitore 9 canali
	DX18 DSMX 18-Channel Transmitter	Spektrum DX18 DSMX 18 Kanal Sender	Emetteur DX18 DSMX 18 voies	DX18 DSMX Trasmettitore 18 canali



Carbon-Z[®] T-28

© 2015 Horizon Hobby, LLC.

E-flite, Carbon-Z, AS3X, DSM, DSM2, DSMX, the DSMX logo, Bind-N-Fly, the BNF logo, Plug-N-Play, Z-Foam, ModelMatch, EC3, EC5, Celectra and the Horizon Hobby logo are trademarks or registered trademarks of Horizon Hobby, LLC.

The Spektrum trademark is used with permission of Bachmann Industries, Inc.

Futaba is a registered trademark of Futaba Denshi Kogyo Kabushiki Kaisha Corporation of Japan.

All other trademarks, service marks and logos are property of their respective owners.

US 8,201,776. Other patents pending.

<http://www.e-fliterc.com/>