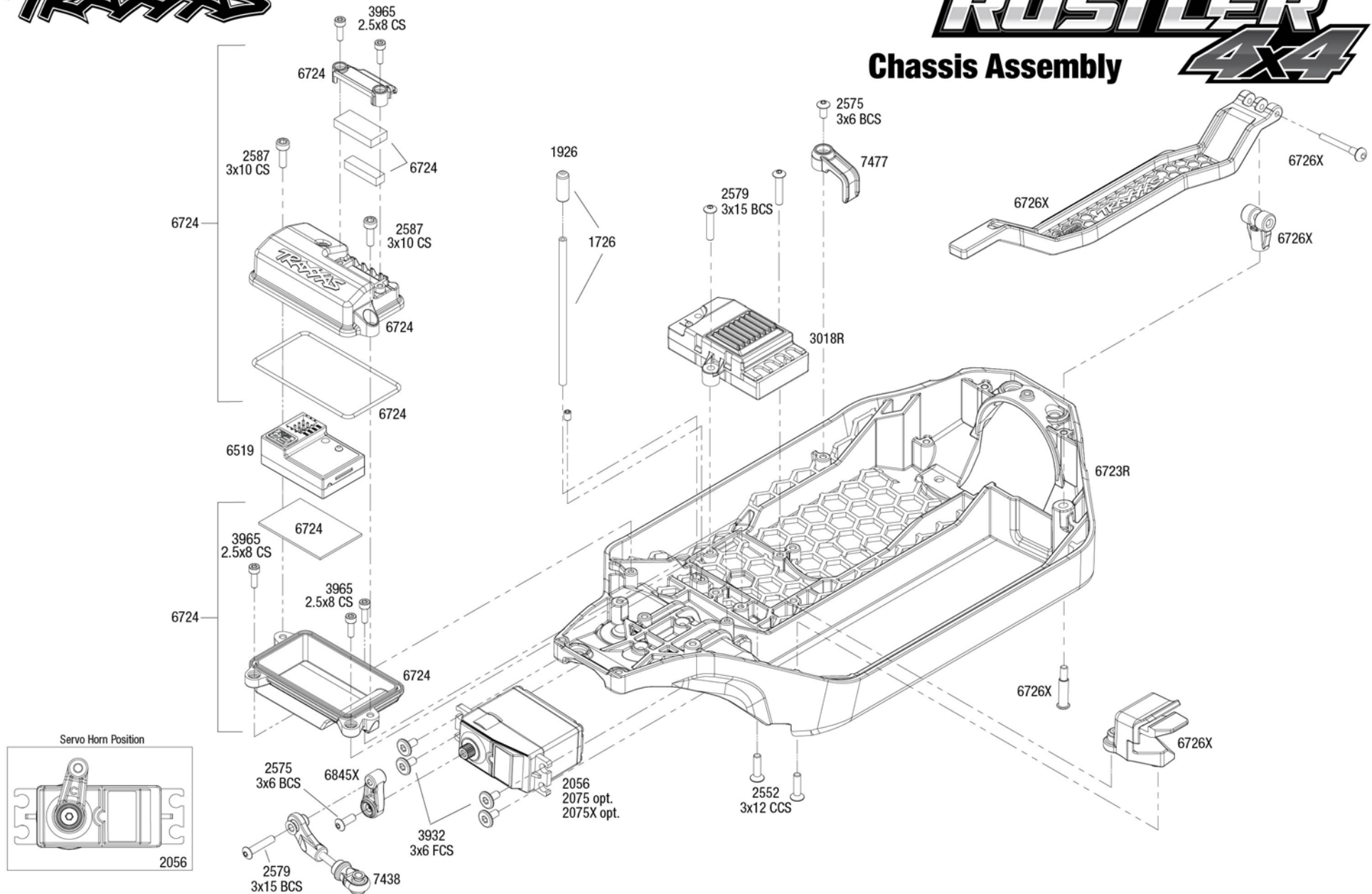




# RUSTLER Chassis Assembly 4x4

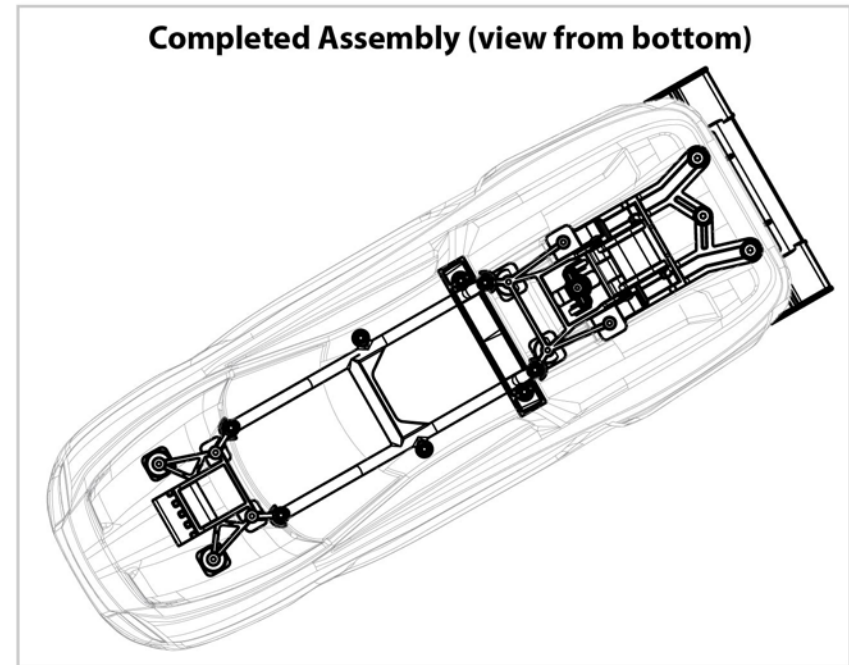
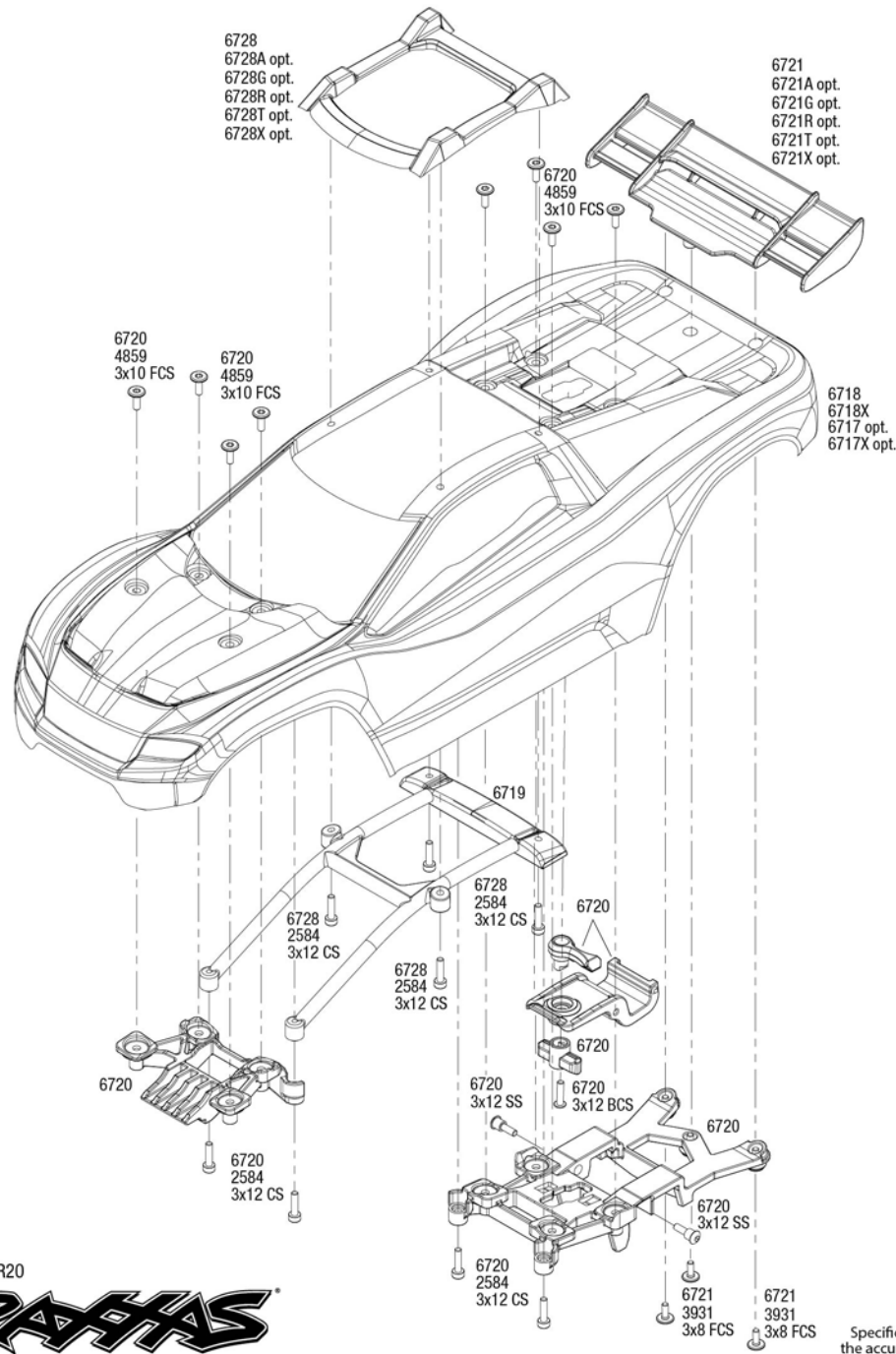


Specifications on this page are subject to change without notice. Every attempt has been made to ensure the accuracy of this drawing; however, Traxxas cannot be held responsible for typographical or other errors.

See Parts List for a complete listing of optional accessories.

REV 220110-R20

# RUSTLER Body Assembly 4x4



REV 220110-R20

**TRAXXAS**

Specifications on this page are subject to change without notice. Every attempt has been made to ensure the accuracy of this drawing; however, Traxxas cannot be held responsible for typographical or other errors.

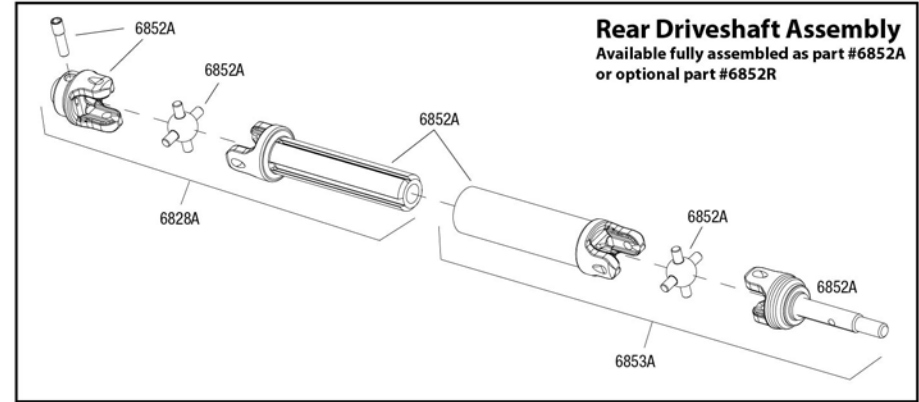
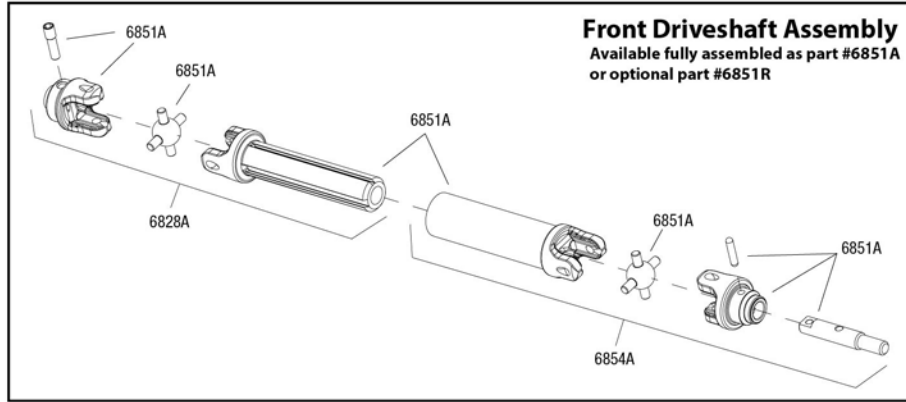
See Parts List for a complete listing of optional accessories.

# RUSTLER 4x4

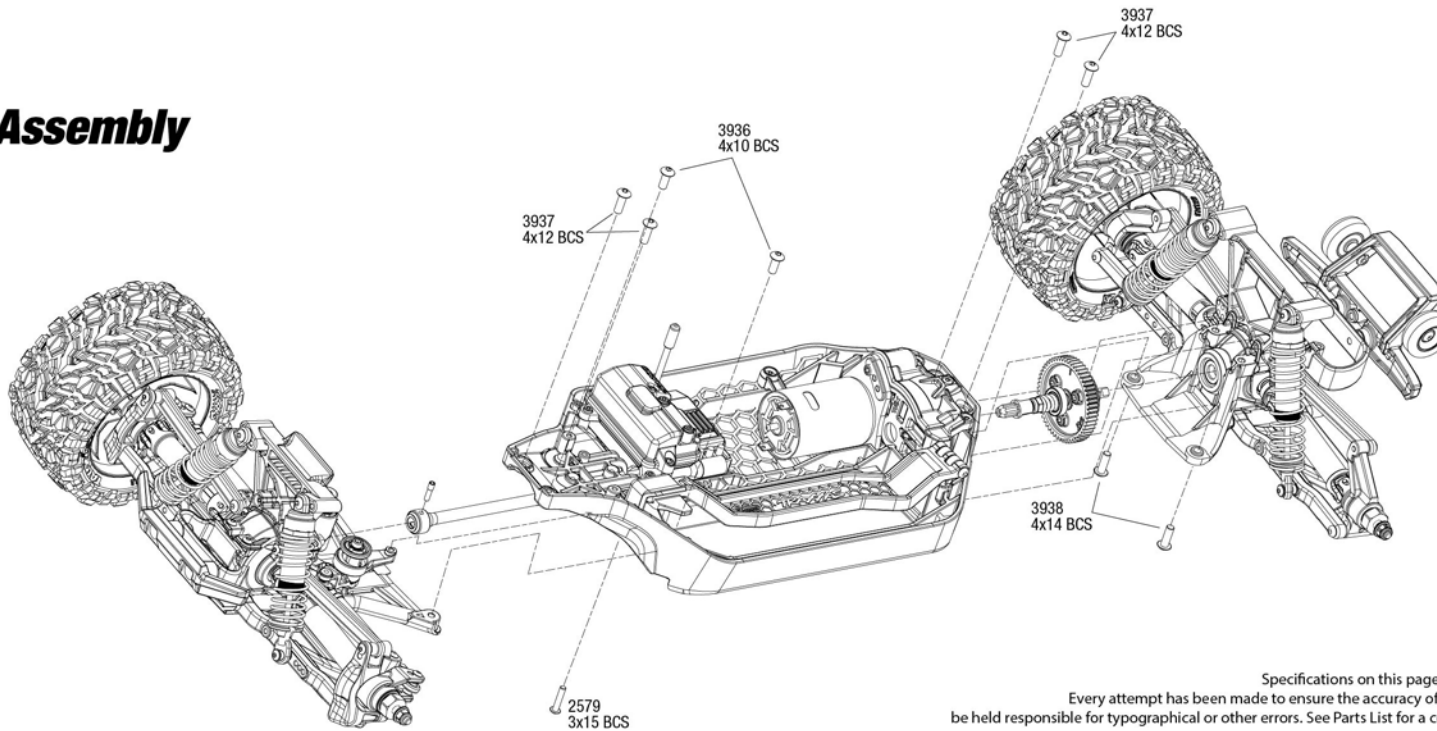
## Driveshaft Assembly



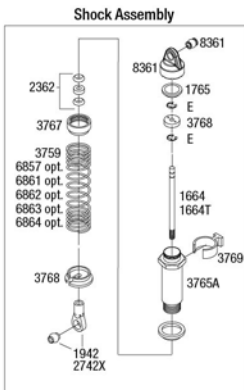
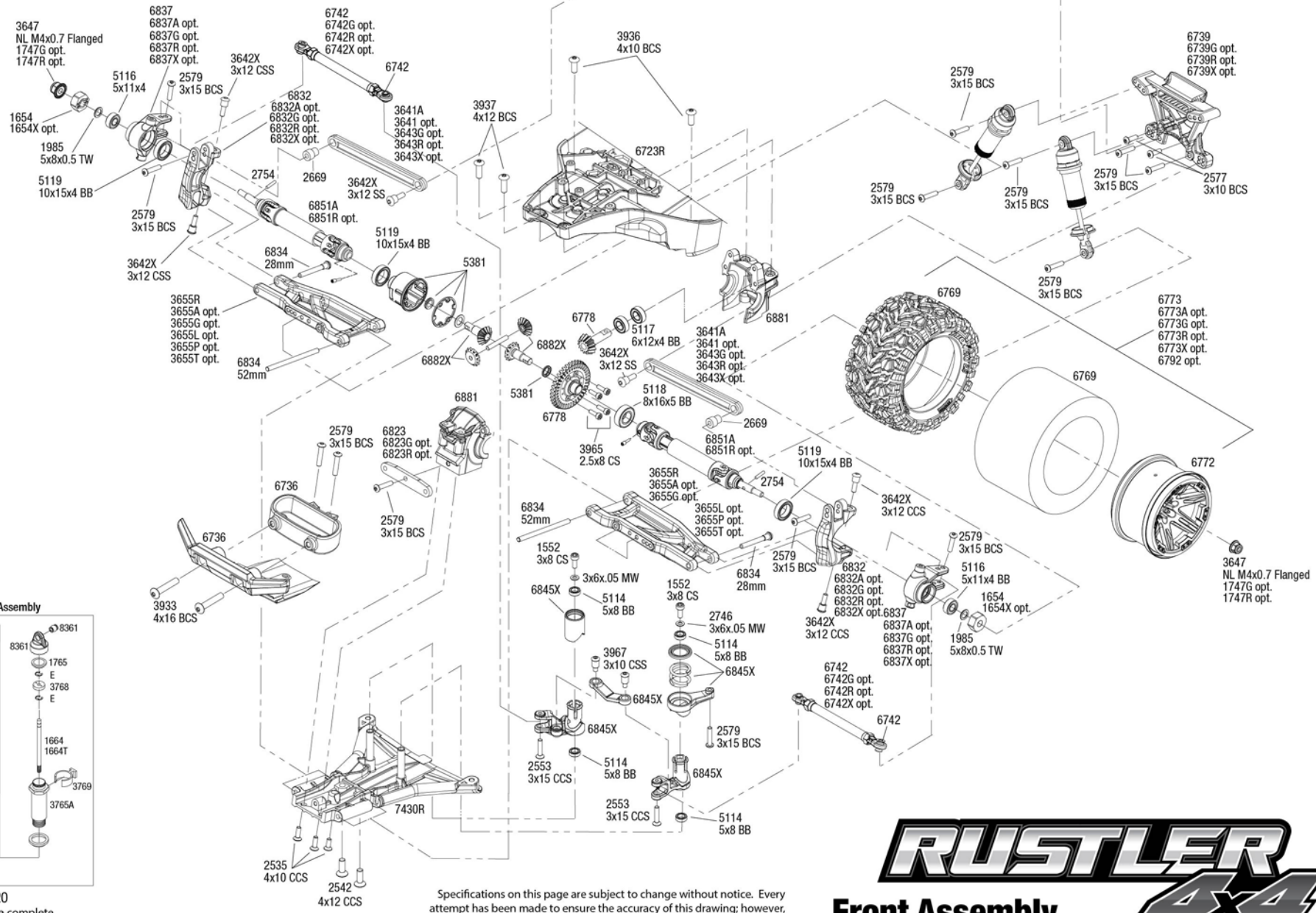
### Driveshafts



### Modular Assembly



Specifications on this page are subject to change without notice. Every attempt has been made to ensure the accuracy of this drawing, however Traxxas cannot be held responsible for typographical or other errors. See Parts List for a complete listing of optional accessories.

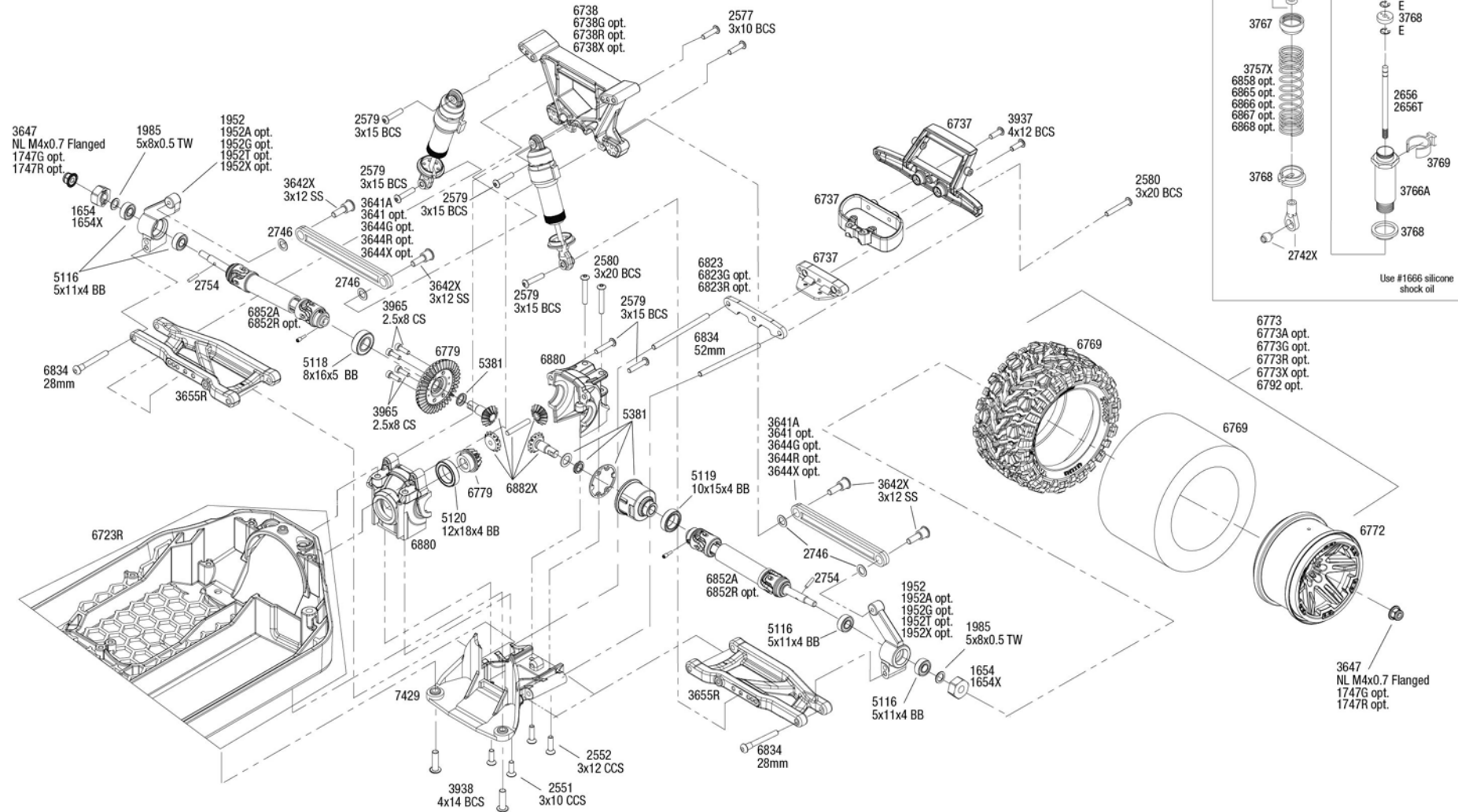


REV 220110-R20  
 See Parts List for a complete listing of optional accessories.

Specifications on this page are subject to change without notice. Every attempt has been made to ensure the accuracy of this drawing; however, Traxxas cannot be held responsible for typographical or other errors.

# RUSTLER 4x4

## Front Assembly



# RUSTLER 4x4

## Rear Assembly

See Parts List for a complete listing of optional accessories.

REV 220110-R20  
Specifications on this page are subject to change without notice. Every attempt has been made to ensure the accuracy of this drawing; however, Traxxas cannot be held responsible for typographical or other errors.