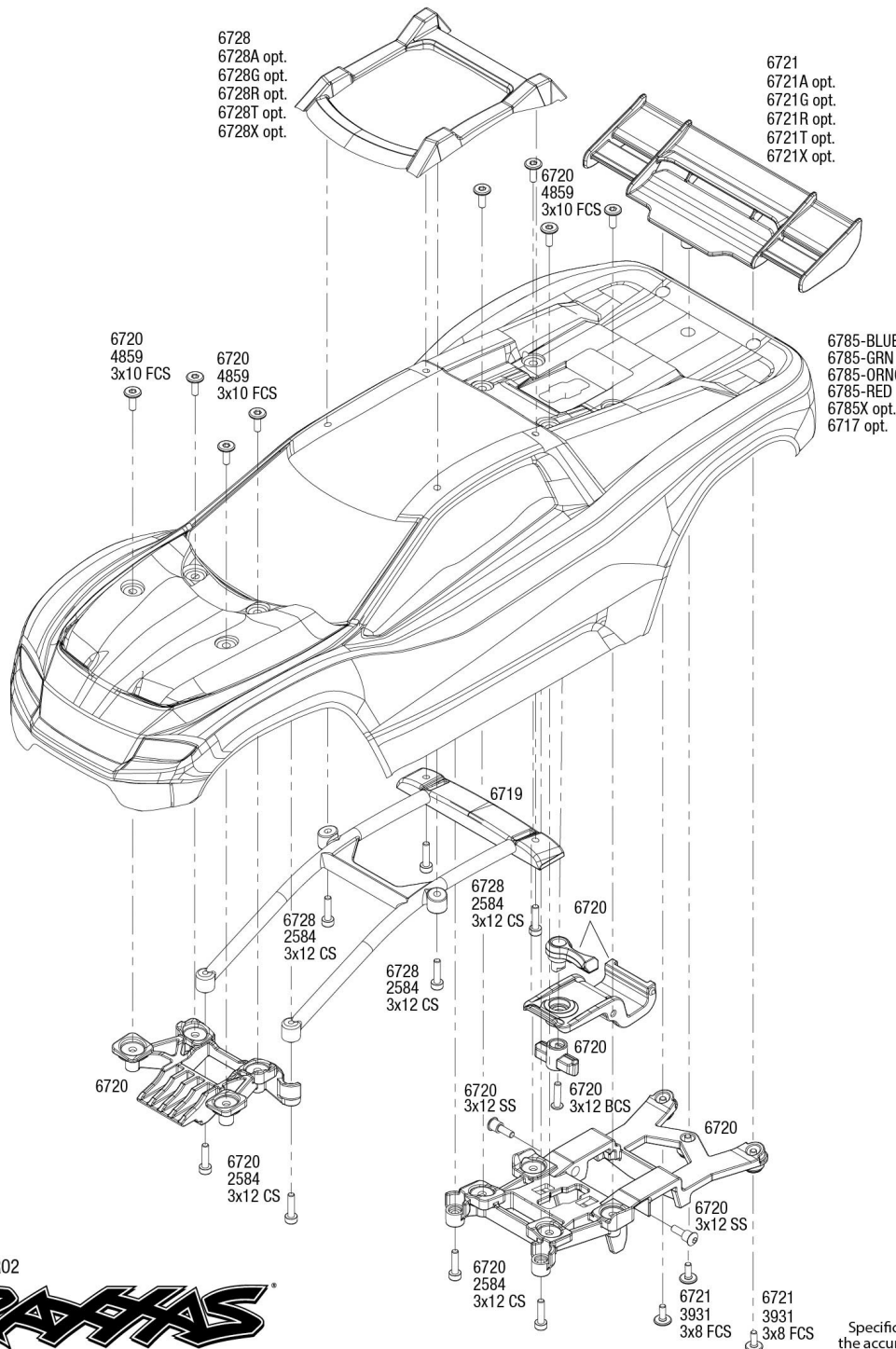


# RUSTLER

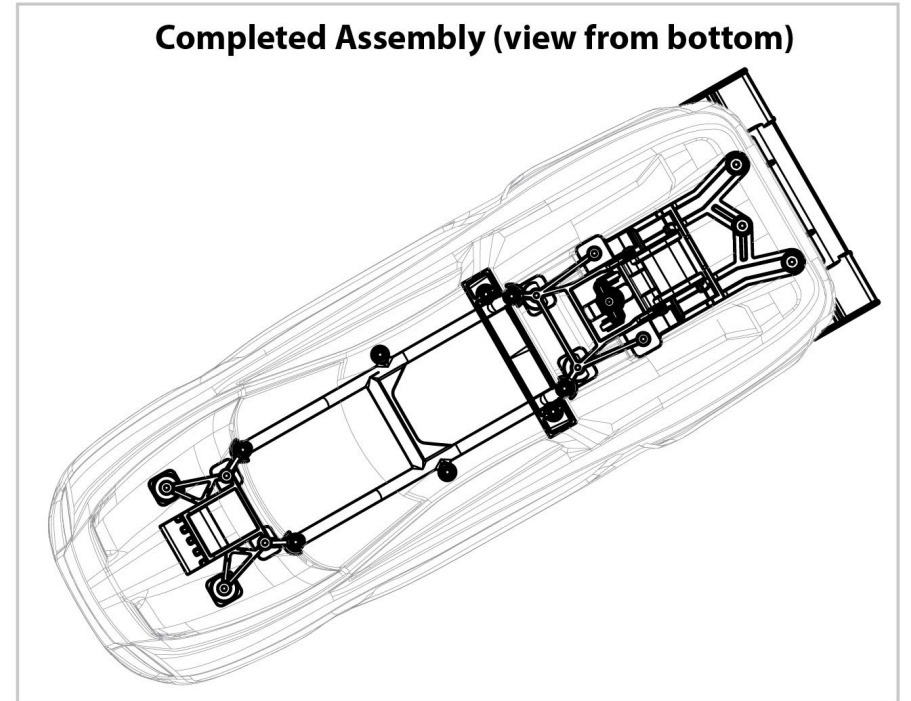
## Body Assembly

### 4XL

BRUSHLESS



Completed Assembly (view from bottom)



REV 240129-R02

TRAXXAS

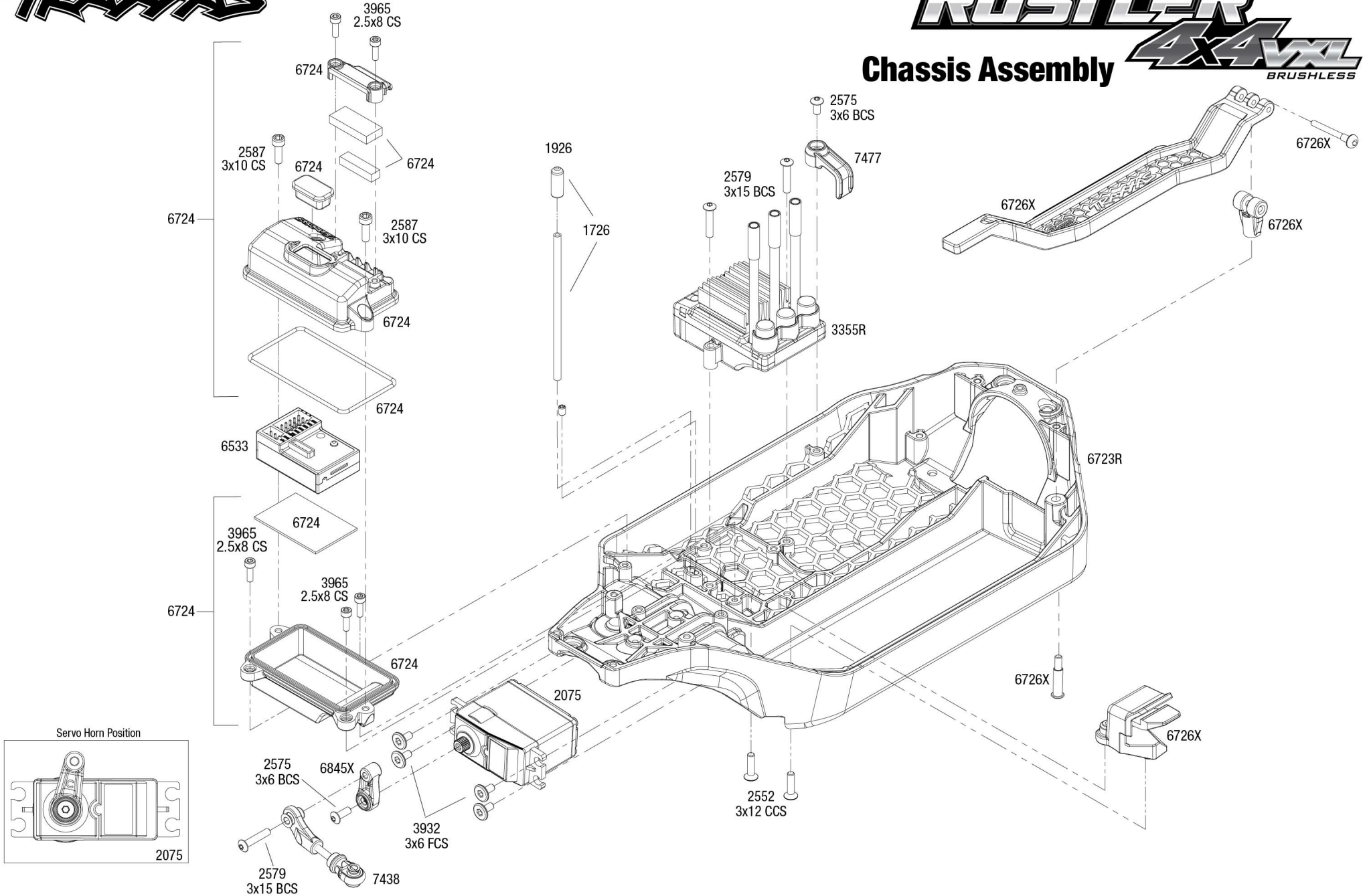
Specifications on this page are subject to change without notice. Every attempt has been made to ensure the accuracy of this drawing; however, Traxxas cannot be held responsible for typographical or other errors.

See Parts List for a complete listing of optional accessories.



# RUSTLER 4x4vxl BRUSHLESS

## Chassis Assembly



Specifications on this page are subject to change without notice. Every attempt has been made to ensure the accuracy of this drawing; however, Traxxas cannot be held responsible for typographical or other errors.

See Parts List for a complete listing of optional accessories.

REV 240129-R02

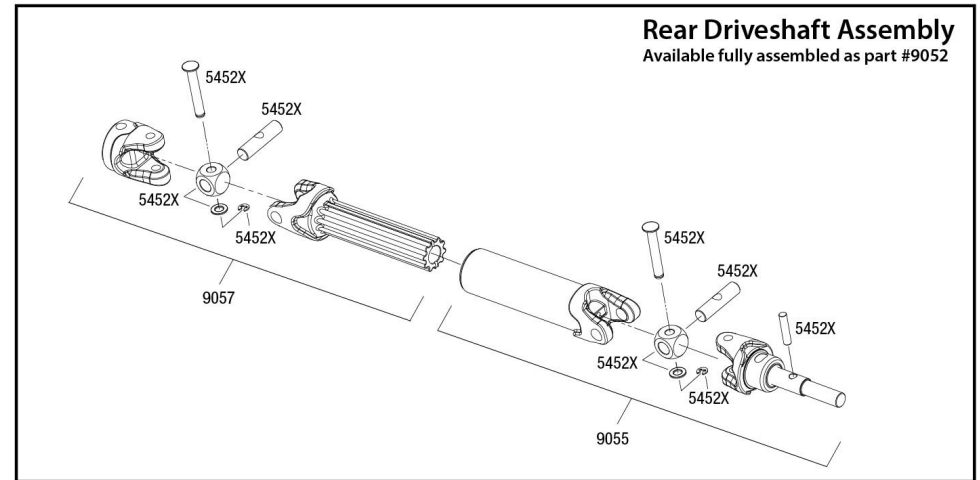
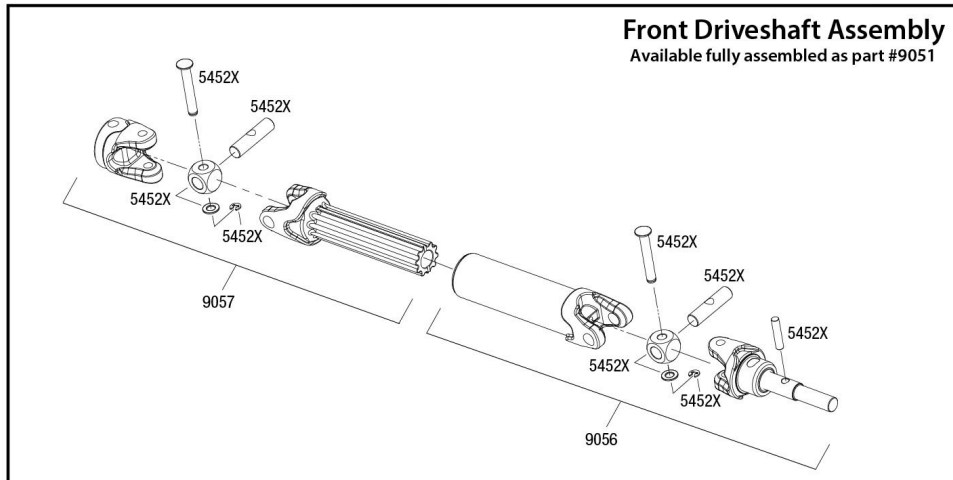
# RUSTLER

## Driveshafts

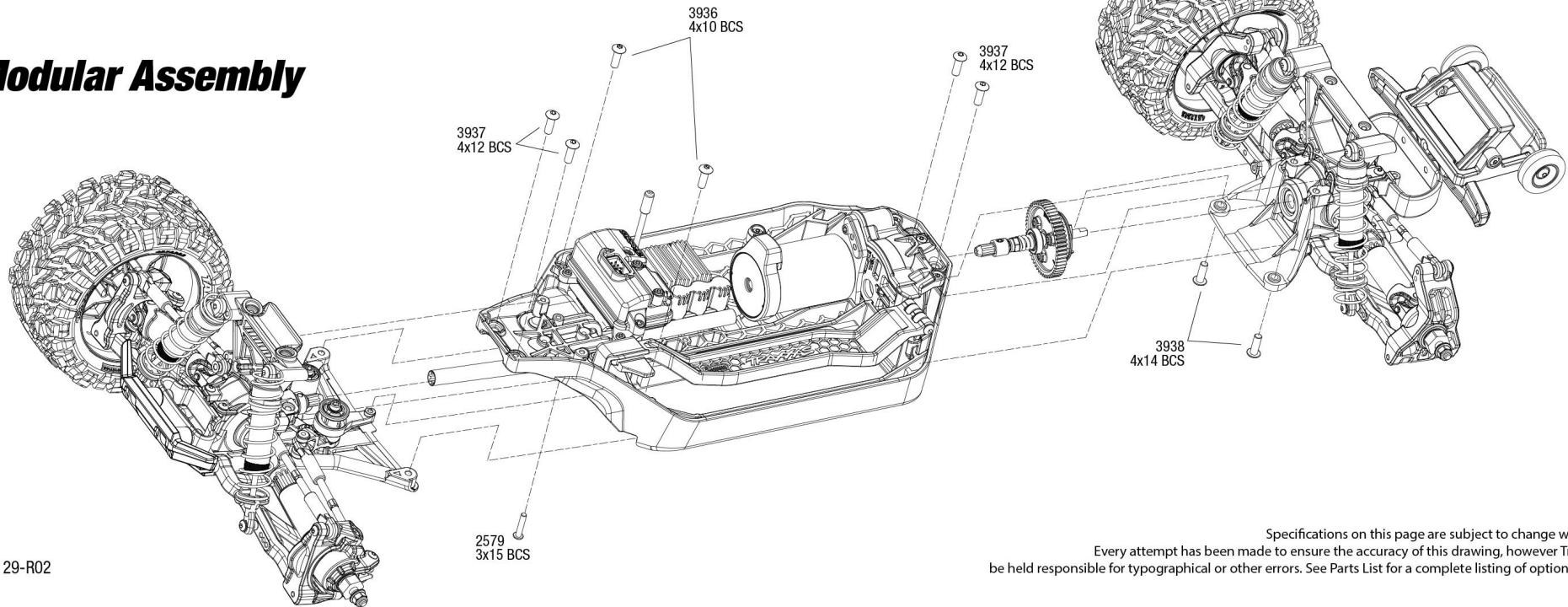
### 4x4vxl

BRUSHLESS

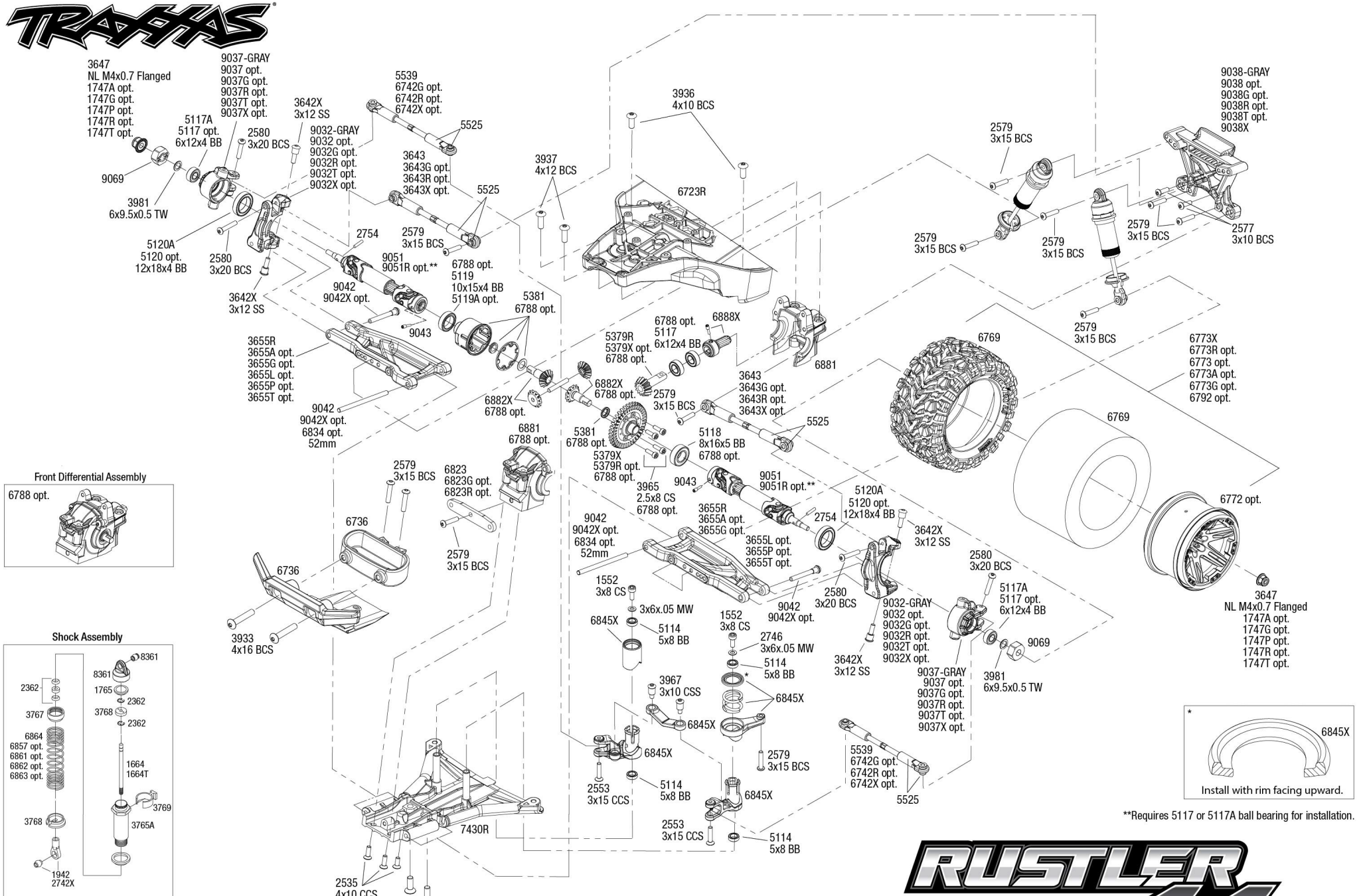
## Driveshaft Assembly



## Modular Assembly



# TRAXXAS

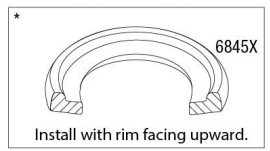


REV 240129-R02  
 See Parts List for a complete listing of optional accessories.

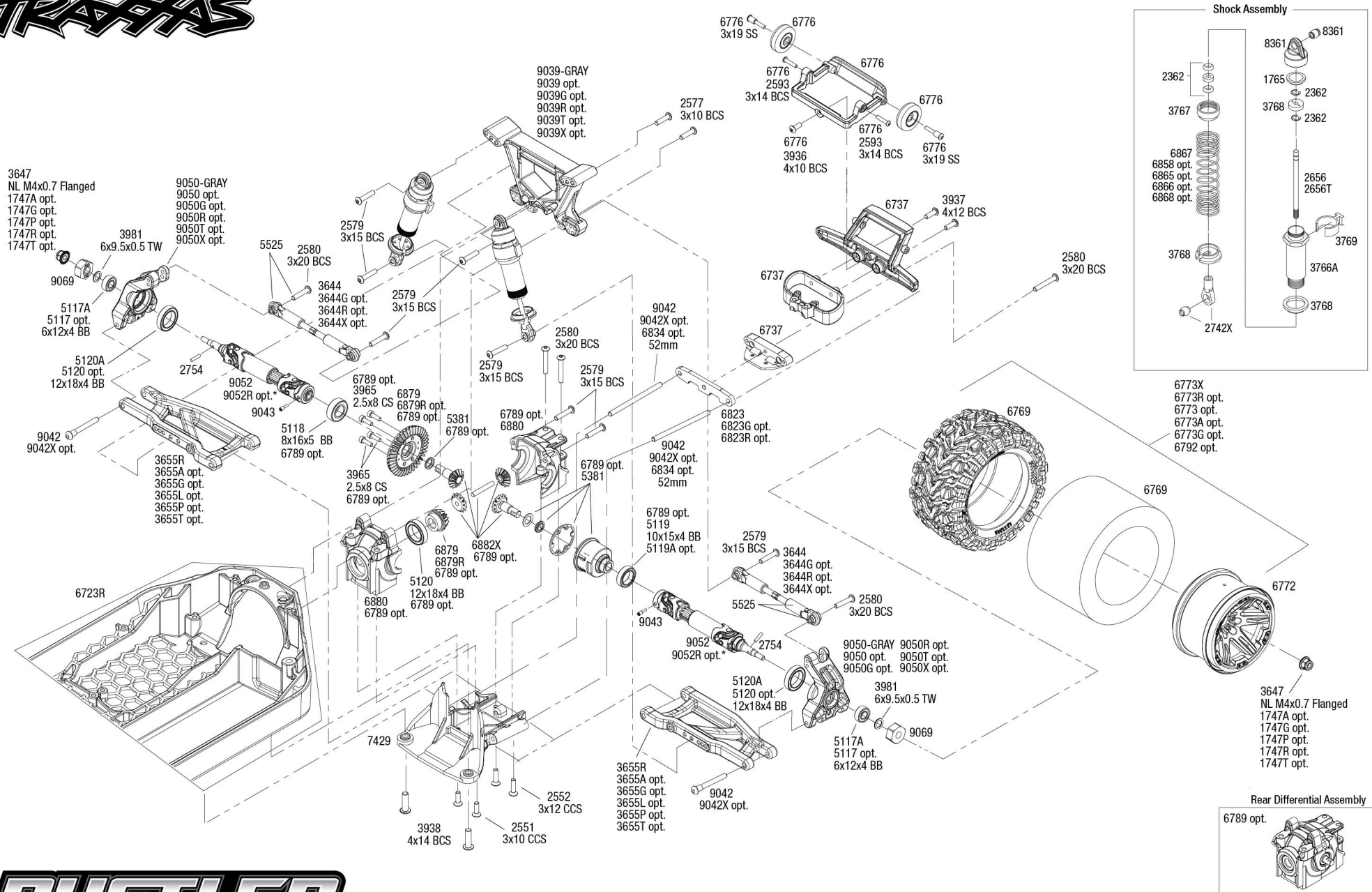
Specifications on this page are subject to change without notice. Every attempt has been made to ensure the accuracy of this drawing; however, Traxxas cannot be held responsible for typographical or other errors.

# RUSTLER 4x4 VXL BRUSHLESS

## Front Assembly



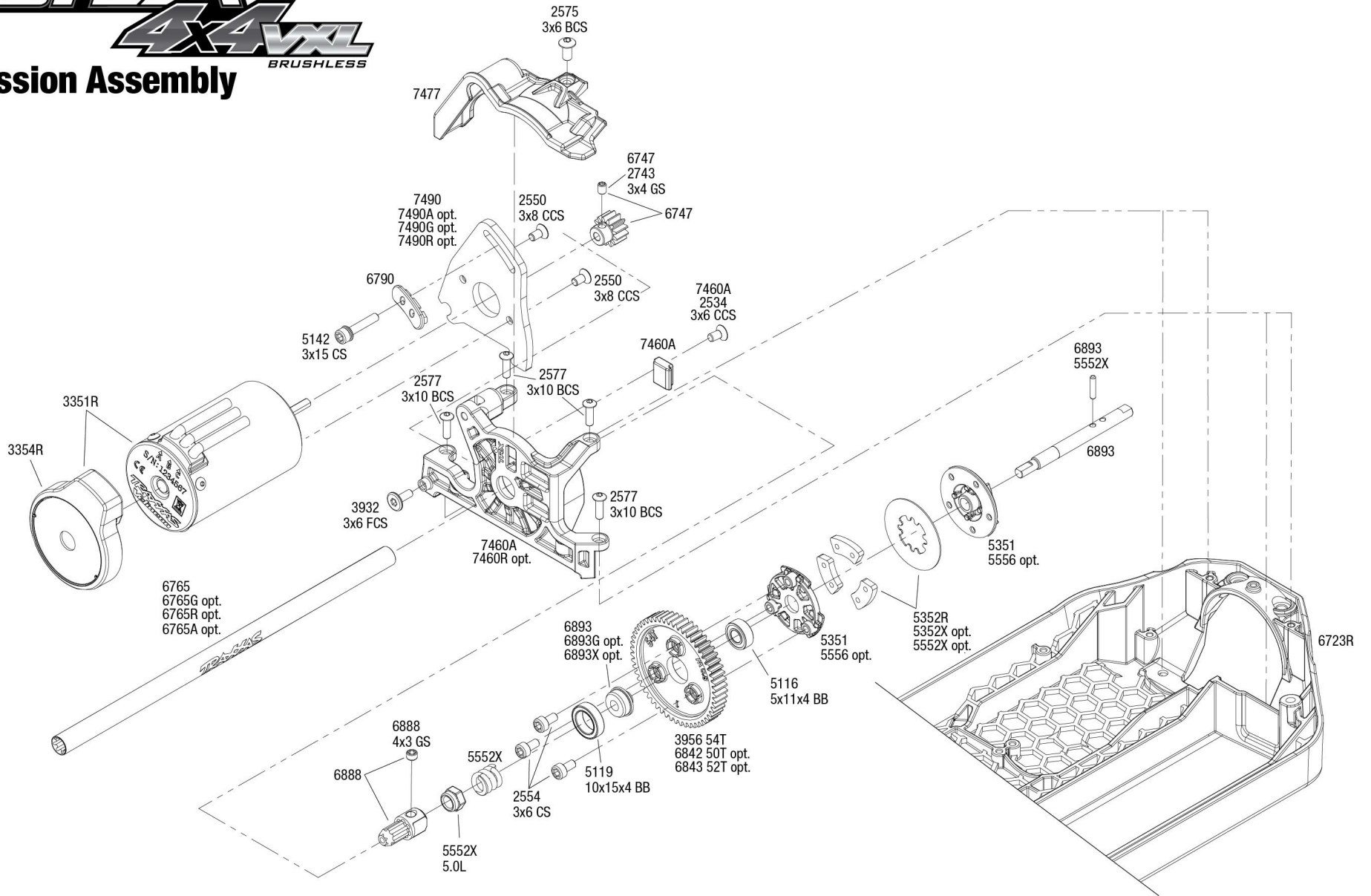
\*\*Requires 5117 or 5117A ball bearing for installation.



\*Requires 5117 or 5117A ball bearing for installation.

# RUSTLER 4x4vxl BRUSHLESS

## Transmission Assembly



See Parts List for a complete listing of optional accessories.

REV 240129-R02  
Specifications on this page are subject to change without notice. Every attempt has been made to ensure the accuracy of this drawing; however, Traxxas cannot be held responsible for typographical or other errors.