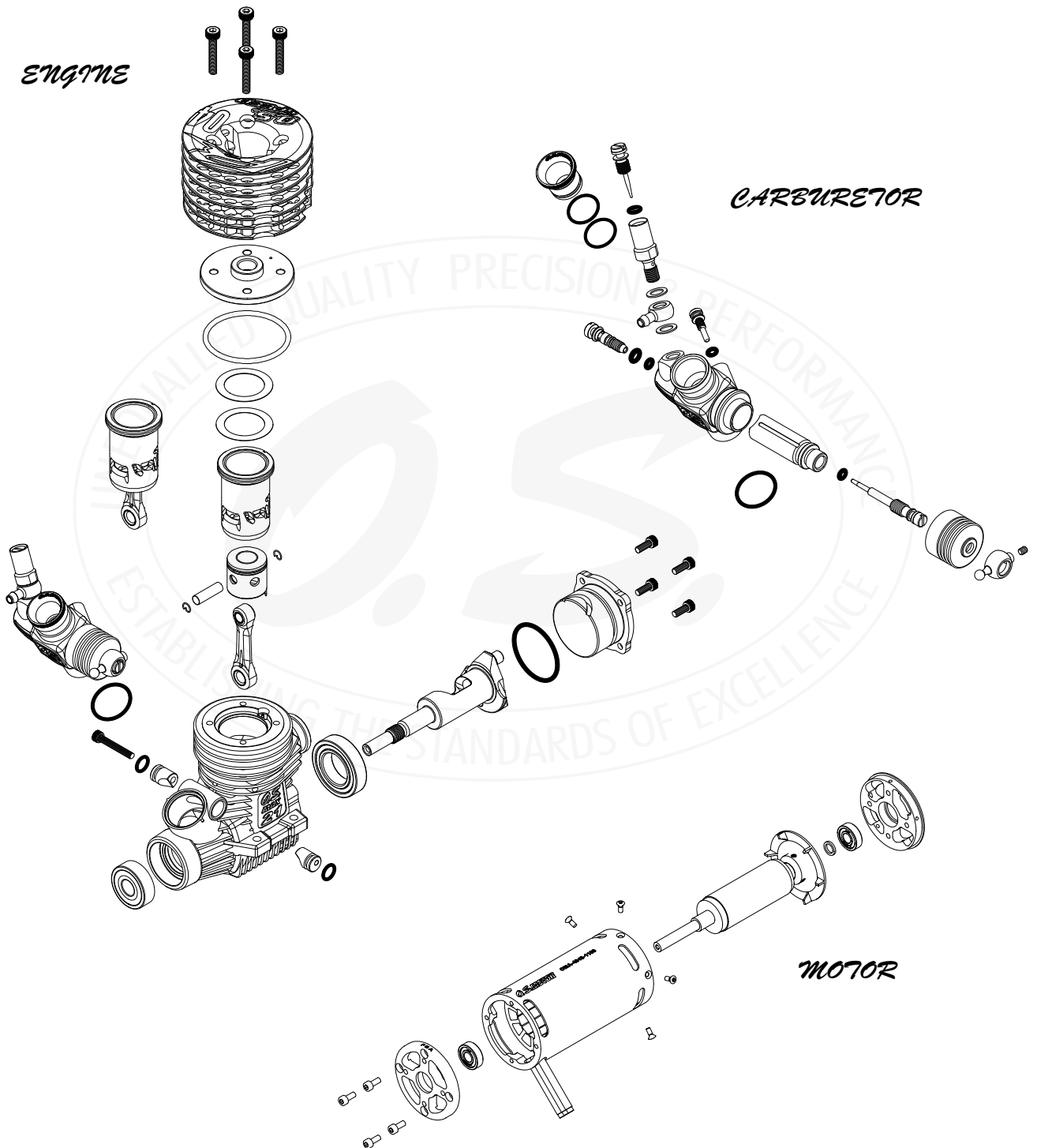
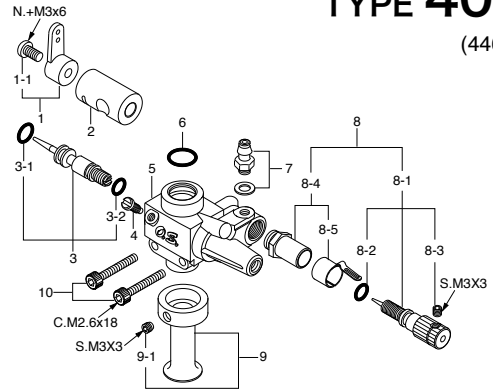
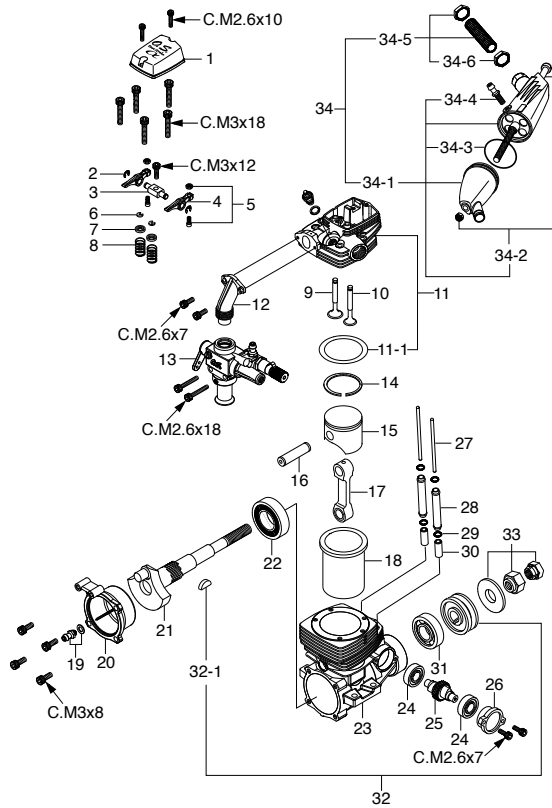


# **2019 EXPLODED VIEWS WITH CODE NUMBERS LIST**



\* Type of screw

C...Cap Screw B...Binding Screw M...Oval Fillister-Head Screw  
F...Flat Head Screw T...Tapping Screw N...Round Head Screw S...Set Screw



### CAP SCREW SETS (10pcs./sets)

Code No.	Size	Pcs. used in an engine
79871020	M2.6x7	Cam Cover Retaining Screw (2pcs.) Intake Manifold Retaining Screw (2pcs.)
79871030	M2.6x10	Rocker Cover Retaining Screw (2pcs.)
79871055	M2.6x18	Carburetor Retaining Screw (2pcs.)
79871110	M3x8	Cover Plate Retaining Screw (4pcs.)
79871140	M3x12	Rocker Support Retaining Screw (1pc.)
79871180	M3x18	Cylinder Head Retaining Screw (5pcs.)

No.	Code No.	Description
1	22081408	Throttle Lever Assembly (No.5)
1-1	22081313	Throttle Lever Retaining Screw 1A-3A
2	44681200	Carburetor Rotor (40N) FS $\alpha$ -56
3	44681600	Mixture Control Nozzle Assembly FS $\alpha$ -56
3-1	46066319	"O" Ring (L) (2pcs.)
3-2	24881824	"O" Ring (S) (2pcs.) (7B)
4	21285220	Rotor Guide Screw 10C,10F,60U
5	44281100	Carburetor Body (40N) FS52S
6	45115000	Carburetor Rubber Gasket (1pc.) FS52S,FR
7	22681953	Fuel Inlet (No.1)
8	44281900	Needle Valve Assembly 40N,40J
8-1	44281970	Needle Assembly 40N,40J
8-2	24981837	"O" Ring (2pcs.)
8-3	26381501	Set Screw
8-4	27381940	Needle Valve Holder Assembly 20C,60U,70D,7H
8-5	26711305	Ratchet Spring No.4
9	44681300	Velocity Stack FS $\alpha$ -56
9-1	26381501	Set Screw
10	79871055	Carburetor Retaining Screw (10pcs.)

No.	Code No.	Description
1	44604220	Rocker Cover (Black) FS $\alpha$ -56II
2	45761600	Rocker Arm Retainer (2pcs.) FS26S-120S,70U
3	45261410	Rocker Support (1pc.) FS40S,48S,52S
4	45261110	Rocker Arm (1pc.) FS40S,48S,52S
5	45761200	Tappet Adjusting Screw (1pair) FS26-56,FS200
6	46160400	Valve Spring Retainer (2pcs.) FS,FT,FR,IL
7	44660300	Valve Spring Seat (2pcs.) FS $\alpha$ -56
8	44660200	Valve Spring (1pc.) FS $\alpha$ -56
9	44650000	Intake Valve (1pc.) FS $\alpha$ -56
10	44651000	Exhaust Valve (1pc.) FS $\alpha$ -56
11	44604110	Cylinder Head (W/Gasket) FS $\alpha$ -56II
11-1	44614100	Cylinder Head Gasket (1pc.) FS $\alpha$ -56
12	44669400	Intake Manifold (1pc.) FS $\alpha$ -56
13	44681000	Carburetor Complete (Type 40NA) FS $\alpha$ -56
14	44603400	Piston Ring FS $\alpha$ -56
15	44603200	Piston FS $\alpha$ -56
16	44606000	Piston Pin FS $\alpha$ -56
17	44605000	Connecting Rod FS $\alpha$ -56
18	44603100	Cylinder Liner FS $\alpha$ -56
19	22681953	Nipple No.1
20	44607010	Cover Plate FS $\alpha$ -56II
21	44602000	Crankshaft FS $\alpha$ -56
22	44230000	Crankshaft Ball Bearing (Rear) FS $\alpha$ -56,52S,FS-70U
23	44601000	Crankcase FS $\alpha$ -56
24	45231100	Camshaft Ball Bearing (1pc.) FS40-120S
25	45262010	Camshaft FS40S,48S
26	44601100	Cam Cover FS $\alpha$ -56
27	44666000	Push Rod (2pcs.) FS $\alpha$ -56
28	44666100	Push Rod Cover (1pc.) FS $\alpha$ -56
29	27881840	Push Rod Cover "O" Ring (2pcs.) (S-4)

No.	Code No.	Description
30	45664000	Cam Follower (2pcs.) FS48S,52S,61,FS70U
31	26531005	Crankshaft Ball Bearing (Front) FS52S
32	45808000	Drive Hub (W/woodruff key) FS56,52S,48S
32-1	27708200	Woodruff Key 50-61,91SX,SZ,RZ-H
33	45810100	Lock Nut Set FS30S-56,FS70U
34	44625000	F-4040 Silencer Assembly FS $\alpha$ -56
34-1	44625100	Silencer Body F-4040 FS $\alpha$ -56
34-2	44625400	Assembly Screw F-4040
34-3	44625410	Silencer Gasket (1pc.) (S-20) F-4040,F-5030
34-4	22681957	Pressure Nipple (No.7)
34-5	44625200	Exhaust Header Pipe Assembly F-4040 FS $\alpha$ -56
34-6	45626010	Exhaust Header Pipe Nut M10 (1pc.) FS40S-52S
	71615009	Glow Plug Type F