

Radio control model / Flugmodell

SIAI MARCHETTI
SF-260

VQ No: VQA143GE - VQA143US - VQA143IT



ALL Balsa, PLYWOOD CONSTRUCTION AND ALMOST READY TO FLY

Instruction manual / Montageanleitung

SPECIFICATIONS

Wingspan:.....1630mm (64.1in)
Length:.....1300mm (51.1in)
Electric Motor:.....See next pager
Glow Engine:......55 - .61 2T
RTF Weight: 3.9Kg / 8.6lbs (Will vary with
Equipment Used).
Radio:.....8 Channel / 6-7 Servos
Function: Ailerons-Elevator-Rudder-Throttle
Flaps-Optional Retractable Landing Gear.

TECHNISCHE DATEN

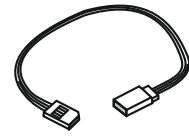
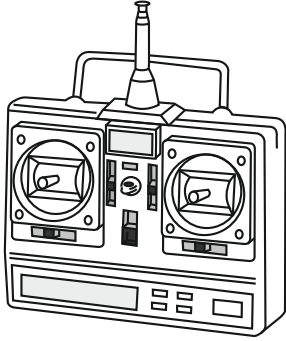
Spannweite:.....1630mm
Länge:.....1300mm
Elektroantrieb.....(siehe nächste Seite)
Verbrennerantrieb:.....10cc
Fluggewicht:.....3.9Kg
Fernsteuerung:.....8 Kanal / 6-7 Servos



WARNING! This radio controlled model is NOT a toy. If modified or flown carelessly it could go out of control and cause serious human injury or property damage. Before flying your airplane, ensure the air field is spacious enough. Always fly it outdoors in safe areas and seek professional advice if you are unexperienced.

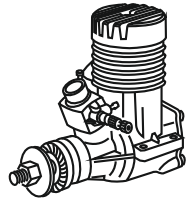
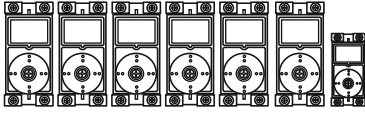
ACHTUNG! Dieses ferngesteuerte Modell ist KEIN Spielzeug! Es ist für fortgeschrittene Modellfluggpiloten bestimmt, die ausreichende Erfahrung im Umgang mit derartigen Modellen besitzen. Bei unsachgemäßer Verwendung kann hoher Personen- und/oder Sachschaden entstehen. Fragen Sie in einem Modellbauverein in Ihrer Nähe um professionelle Unterstützung, wenn Sie Hilfe im Bau und Betrieb benötigen. Der Zusammenbau dieses Modells ist durch die vielen Abbildungen selbsterklärend und ist für fortgeschrittene, erfahrene Modellbauer bestimmt.

REQUIRED ITEMS / Zum Betrieb wird benötigt



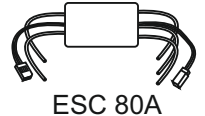
12x6 for .58 - 2 cycle engine
12x7 for .61 - 2 cycle engine
14x8 for Electric motor

Extension cord for aileron servos: 50cm(x2)
Extension cord for flap servos: 50cm(x4)
Extension cord for retract servos: 30cm(x2)
Extension cord for Rx battery pack: 20cm(x1)

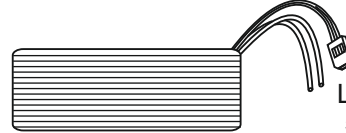


Motor Brushless
1000 Watt

.55 ~ .61 - 2 cycle



Minimum 8 channel radio
for airplane with 7 servos
.Motor control x1 .Aileron x 2
.Flap x 2 .Elevator x1 .Rudder x1



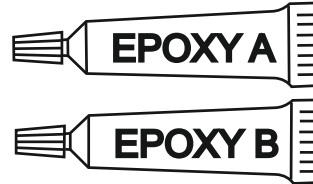
Li-Po Battery
5.300 - 22.2v

GLUE / KLEBSTOFF



Silicon sealer

Cyanoacrylate
Glue



Epoxy Glue (5 minute type)
Epoxy Glue (30 minute type)

Hobby knife

Needle nose Pliers

Sander

Phillip screw driver

Scissors

Hex Wrench

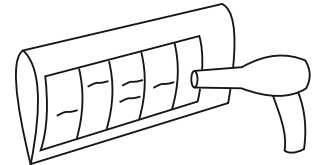
Awl

Wire Cutters

Masking tape - Straight Edged Ruler - Pen or pencil - Rubbing alcohol - Drill and Assorted Drill Bits

If exposed to direct sunlight and / or heat, wrinkles can appear. Storing the model in a cool place will let the wrinkles disappear. Otherwise, remove wrinkles in covering film with a hair-dryer, starting with low temperature. You can fix the corners by using a hot iron.

Bei Sonneneinstrahlung und / oder Wärme kann die Folie erschlaffen bzw. Falten entstehen. Verwenden Sie ein Warmluftgebläse (Haartrockner) um evtl. Falten aus der Folie zu bekommen. Die Kanten können Sie mit einem Bügeleisen behandeln. Nicht zuviel Hitze anwenden



Drill holes using the stated size of drill (in this case 1.5 mm Ø)

Take particular care here

Hatched-in areas: remove covering film carefully

Check during assembly that these parts move freely, without binding

Use epoxy glue

Apply cyano glue

Assemble left and right sides the same way.

Not included. These parts must be purchased separately

1.5mm Löcher bohren mit dem angegebenen Bohrer (hier 1,5 mm)

Hier besonders aufpassen

Schraffierte Stellen, Bespannfolie vorsichtig entfernen

Während des Zusammenbaus immer prüfen, ob sich die Teile auch reibungslos bewegen lassen

Epoxy-Klebstoff verwenden

Sekundenkleber auftragen

Linke und rechte Seite wird gleichermaßen zusammgebaut

Nicht enthalten. Teile müssen separat gekauft werden.

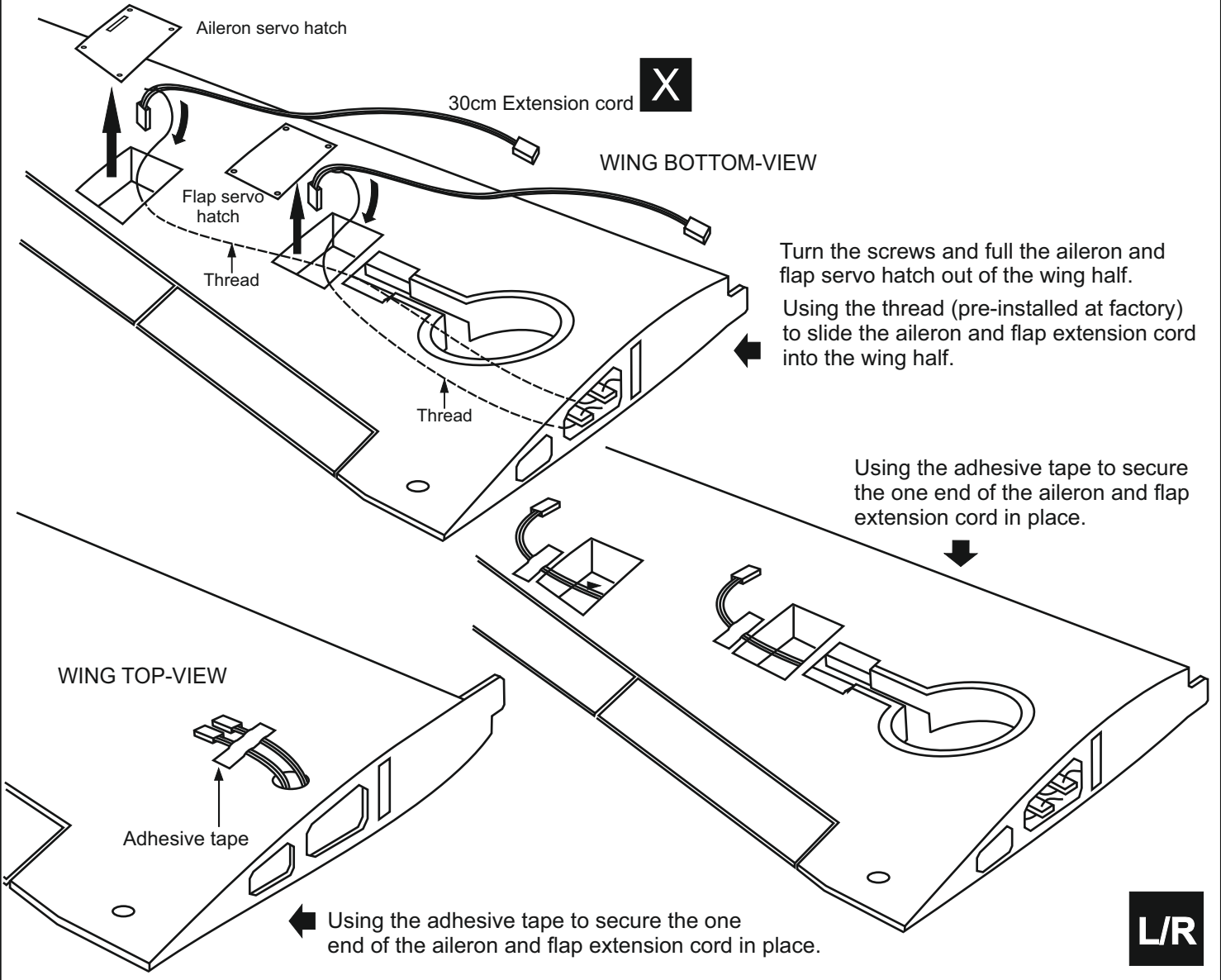
Read through the manual before you begin, so you will have an overall idea of what to do.

CONVERSION TABLE

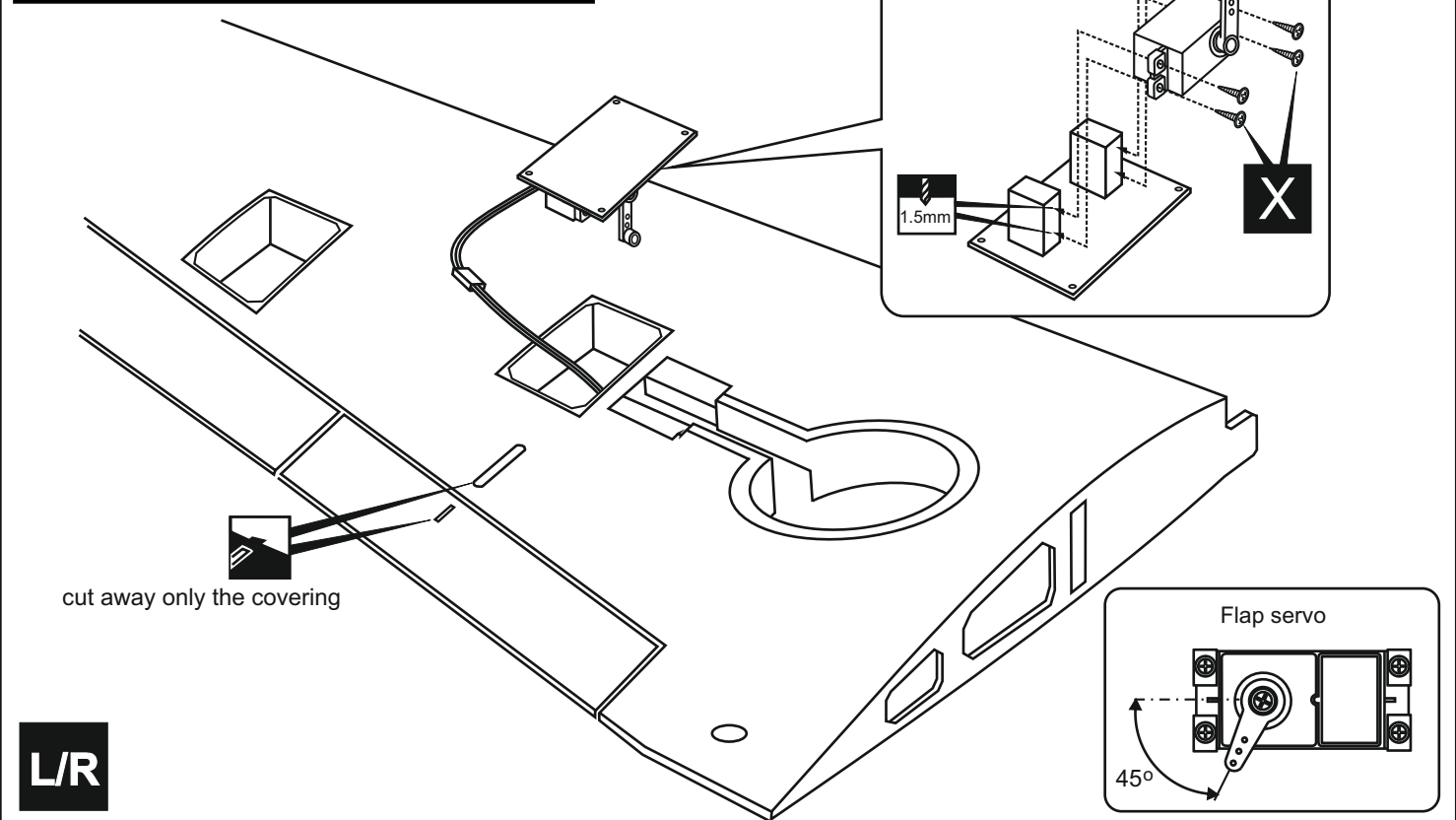
1.0mm = 3/64"	3.0mm = 1/8"	10mm = 13/32"	25mm = 1"
1.5mm = 1/16"	4.0mm = 5/32"	12mm = 15/32"	30mm = 1-3/16"
2.0mm = 5/64"	5.0mm = 13/64"	15mm = 19/32"	45mm = 1-51/64"
2.5mm = 3/32"	6.0mm = 15/64"	20mm = 51/64"	

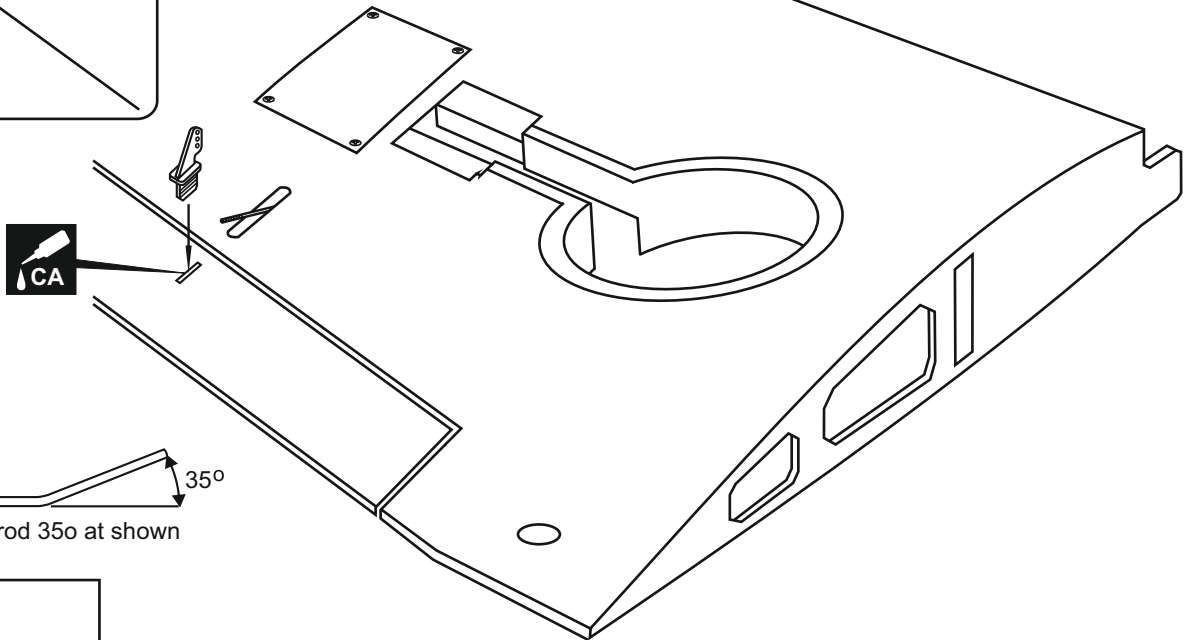
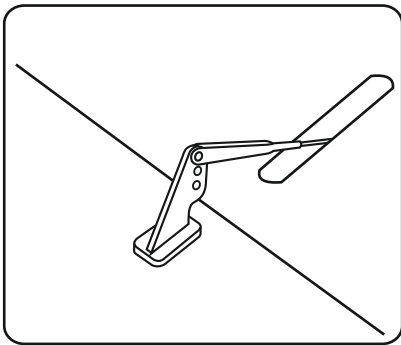
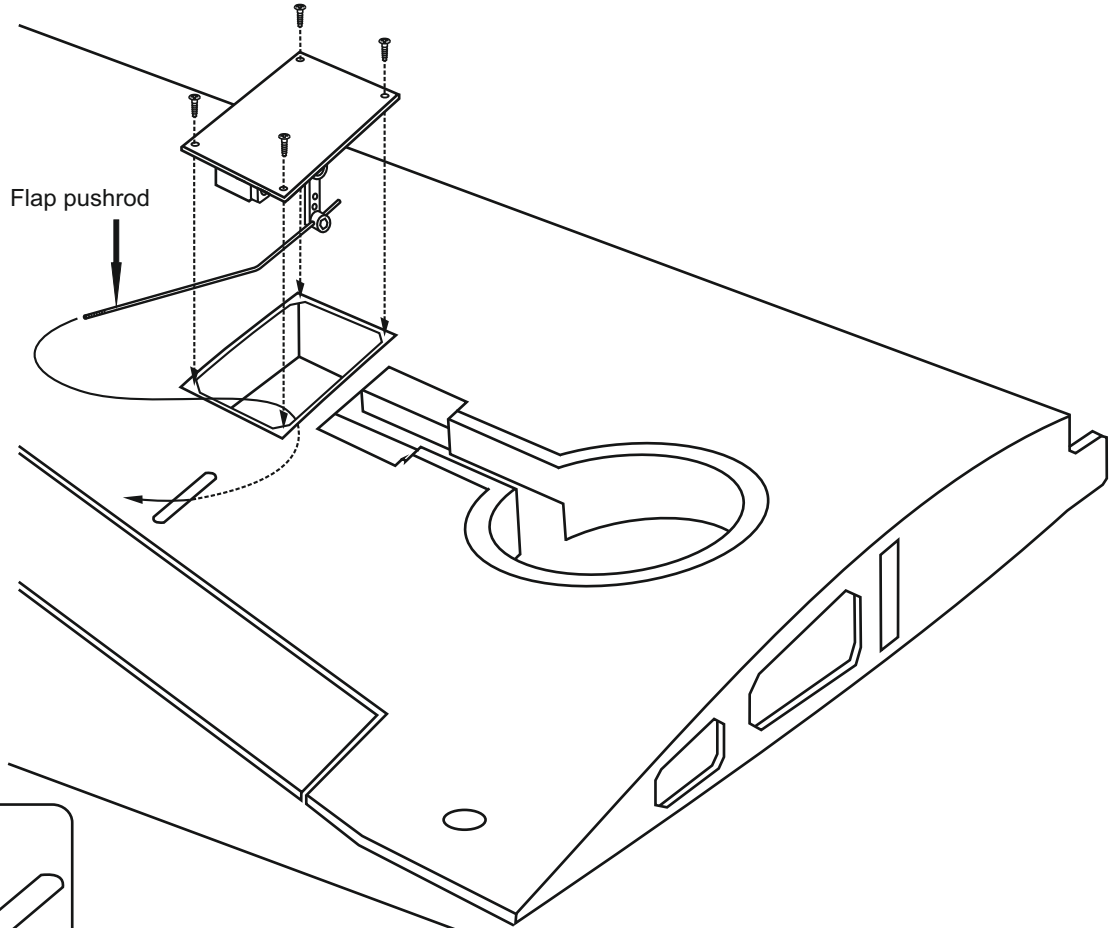
1-Aileron extension cord installation

Siai Marchetti SF-260

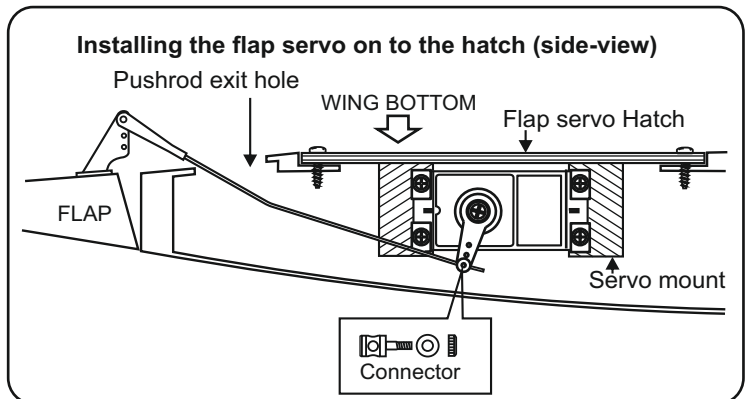


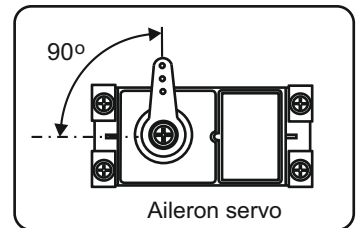
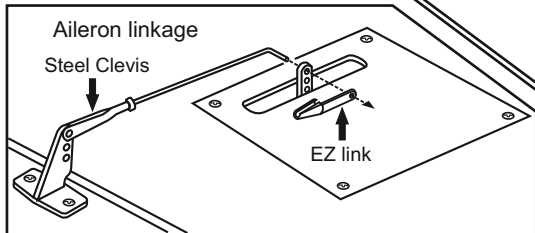
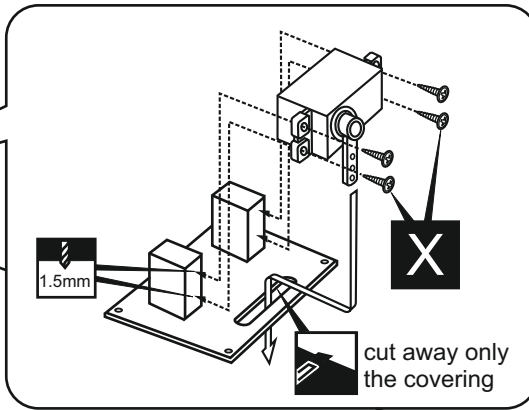
2- Flap servo installation



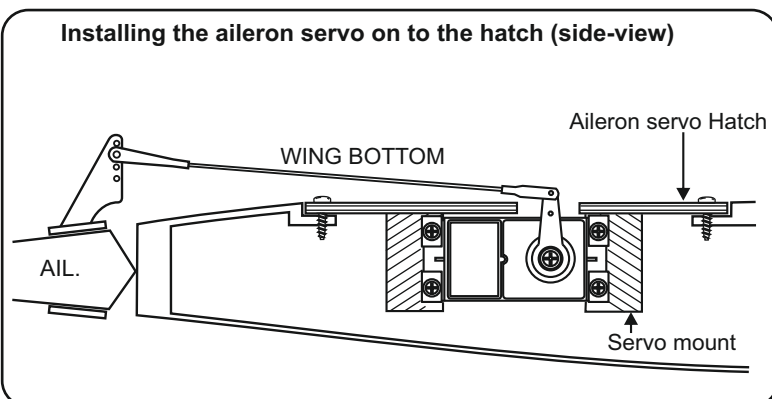


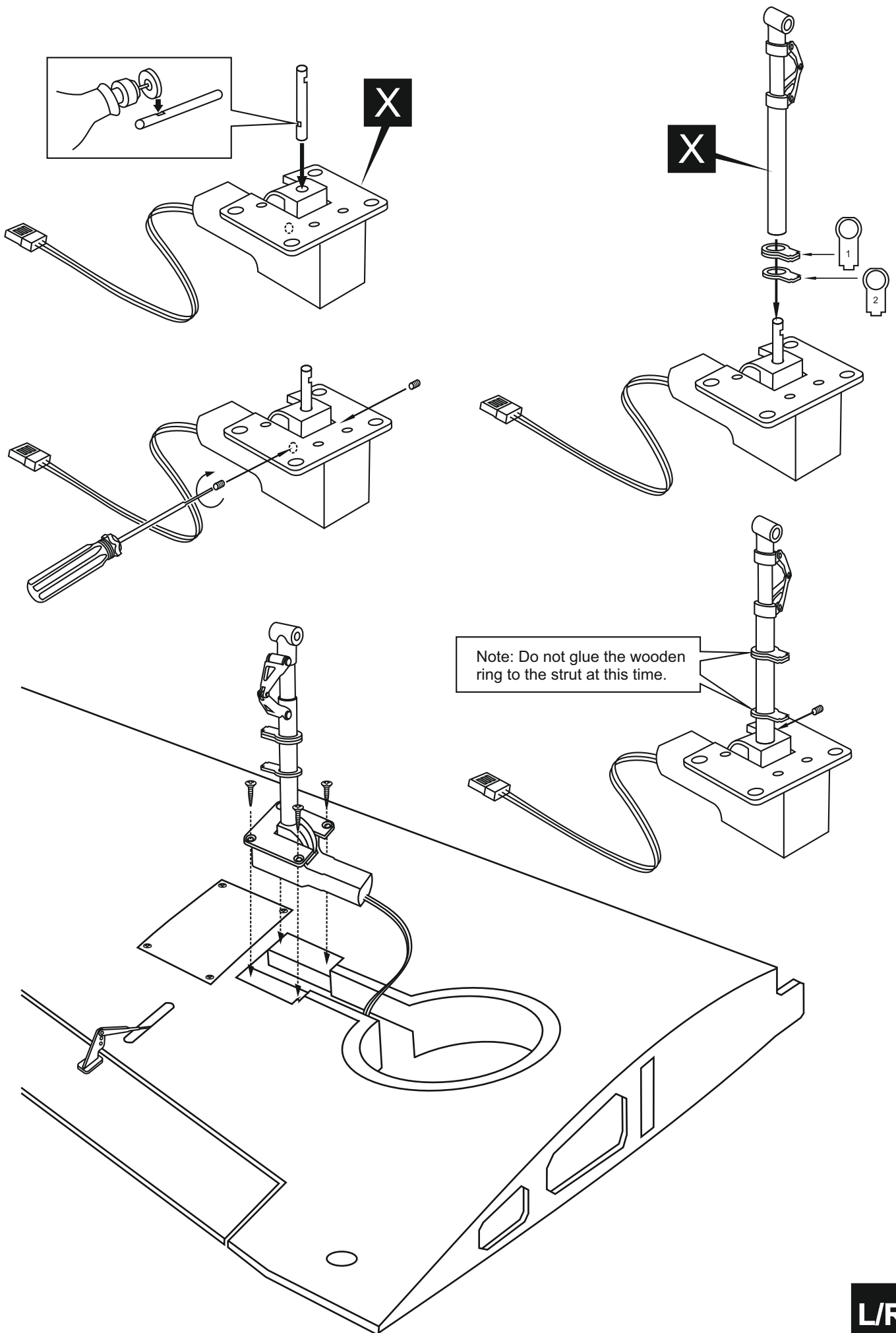
- Steel clevis2
- Flap push rod (2mm)2
- Plastic control horn2 set
- Connector 2mm2

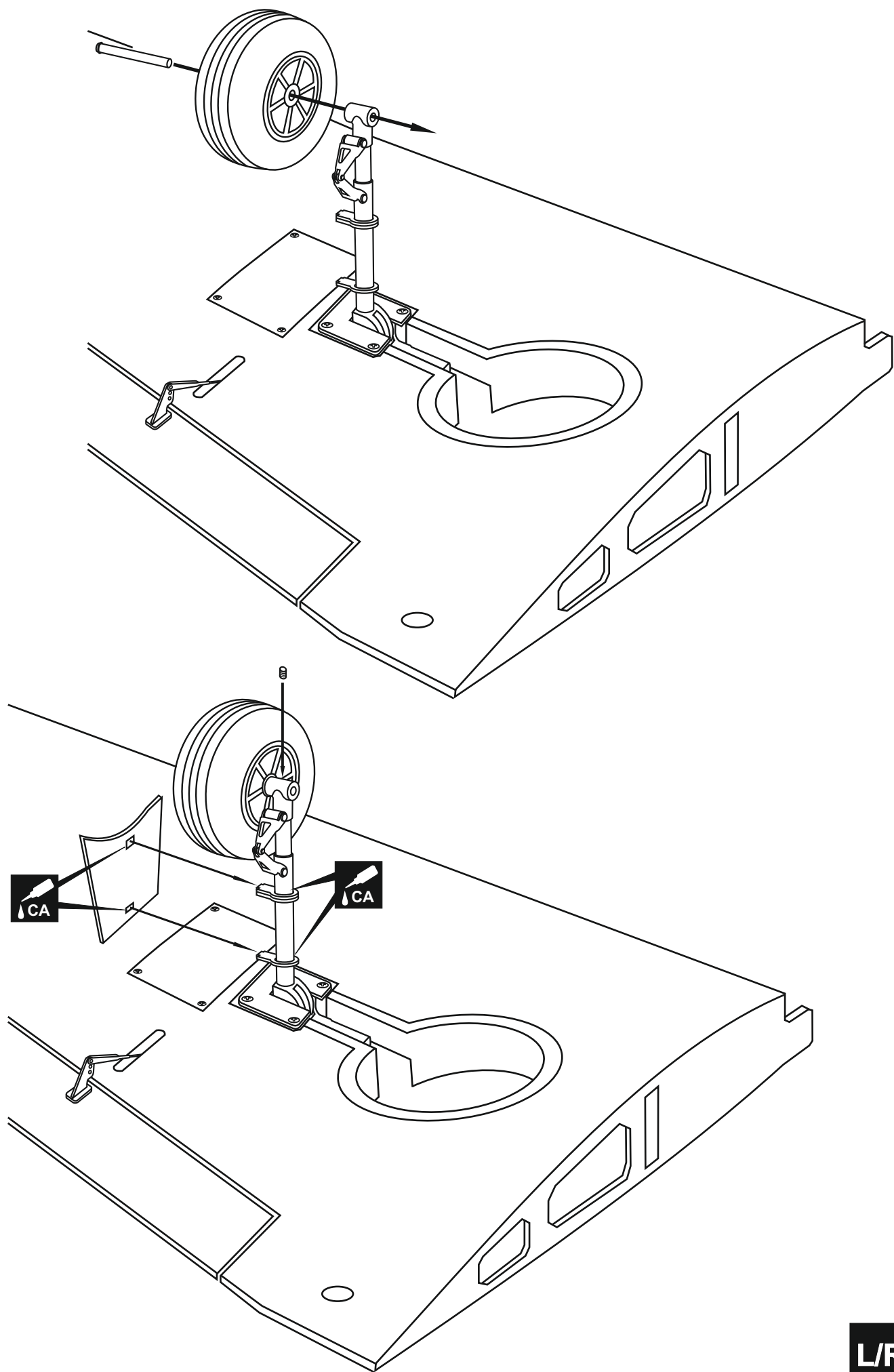


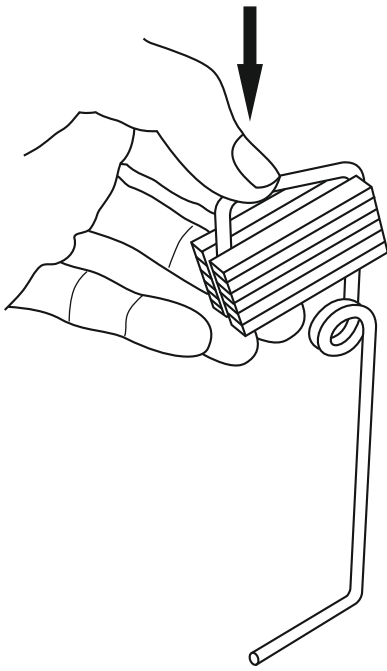


- Steel clevis2
- Aileron push rod (2mm)2
- Plastic control horn
- EZ link2
-2 set





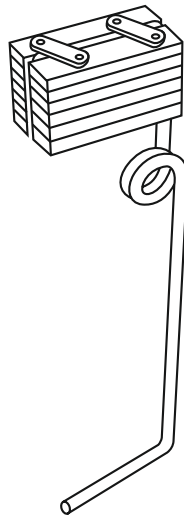




7A

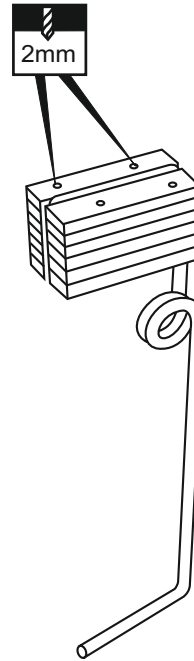
Slide the landing gear onto the plywood gear mount and push the landing gear as shown.

TOP VIEW



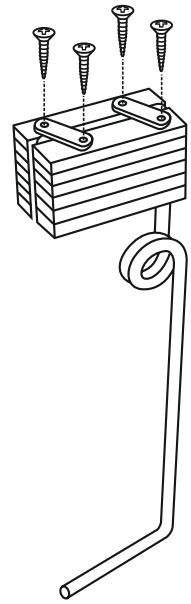
7B

Using the nylon gear strap as a template, mark the plywood gear mount where the four holes to be drill.



7C

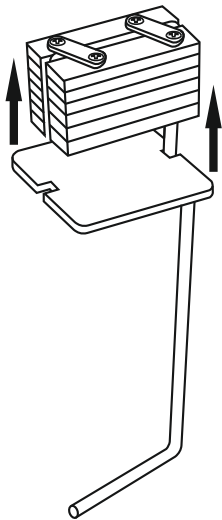
Remove the nylon gear strap and drill a 2mm hole at each of the four marks marked.



7D

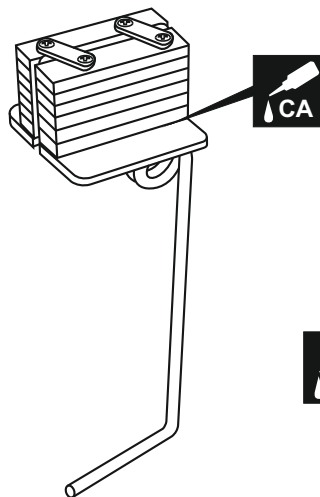
Reposition the nylon gear strap and secure them in place using four 3x20mm screws.

BOTTOM VIEW



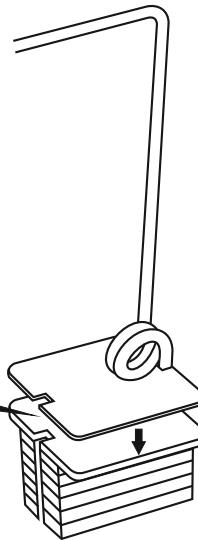
7E

Attach the ply gear mount plate to the plywood gear mount



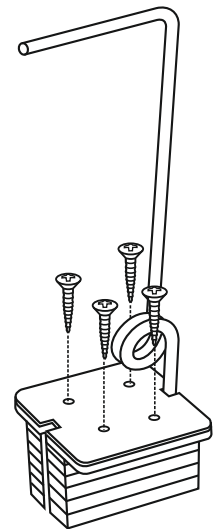
7F

Secure the ply gear mount plate in place using CA glue.



7G

Attach the square plastic onto the ply gear mount, secure it in place using CA glue.




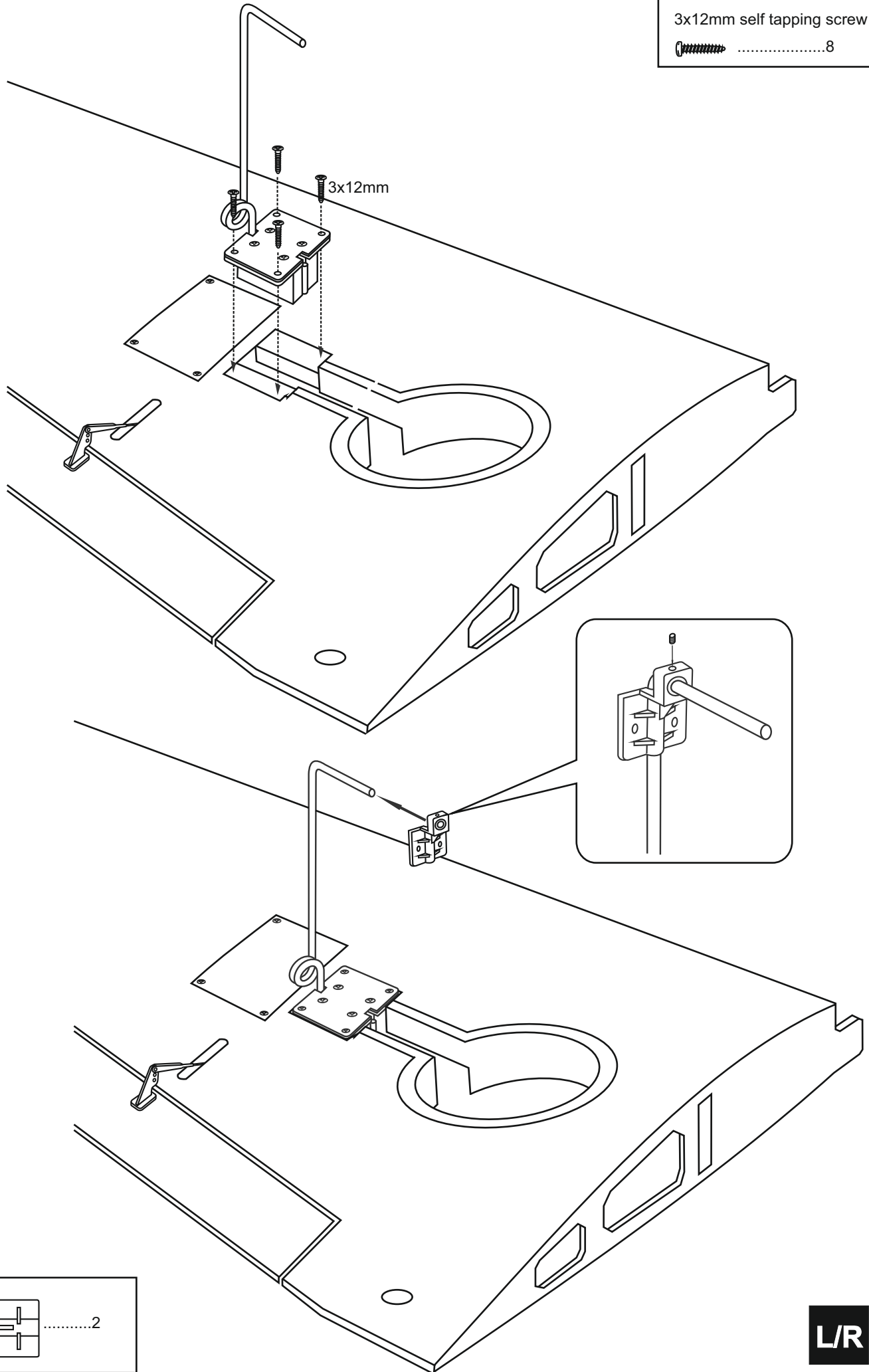
7H

Drill a 2mm holes through the square plastic and ply gear mount plate. Secure the ply gear mount using four 3x20mm screws.

3x20mm screw16		Plywood Gear mount x 2
Nylon gear strap4		Square plastic x2
		Ply gear mount plate x 2

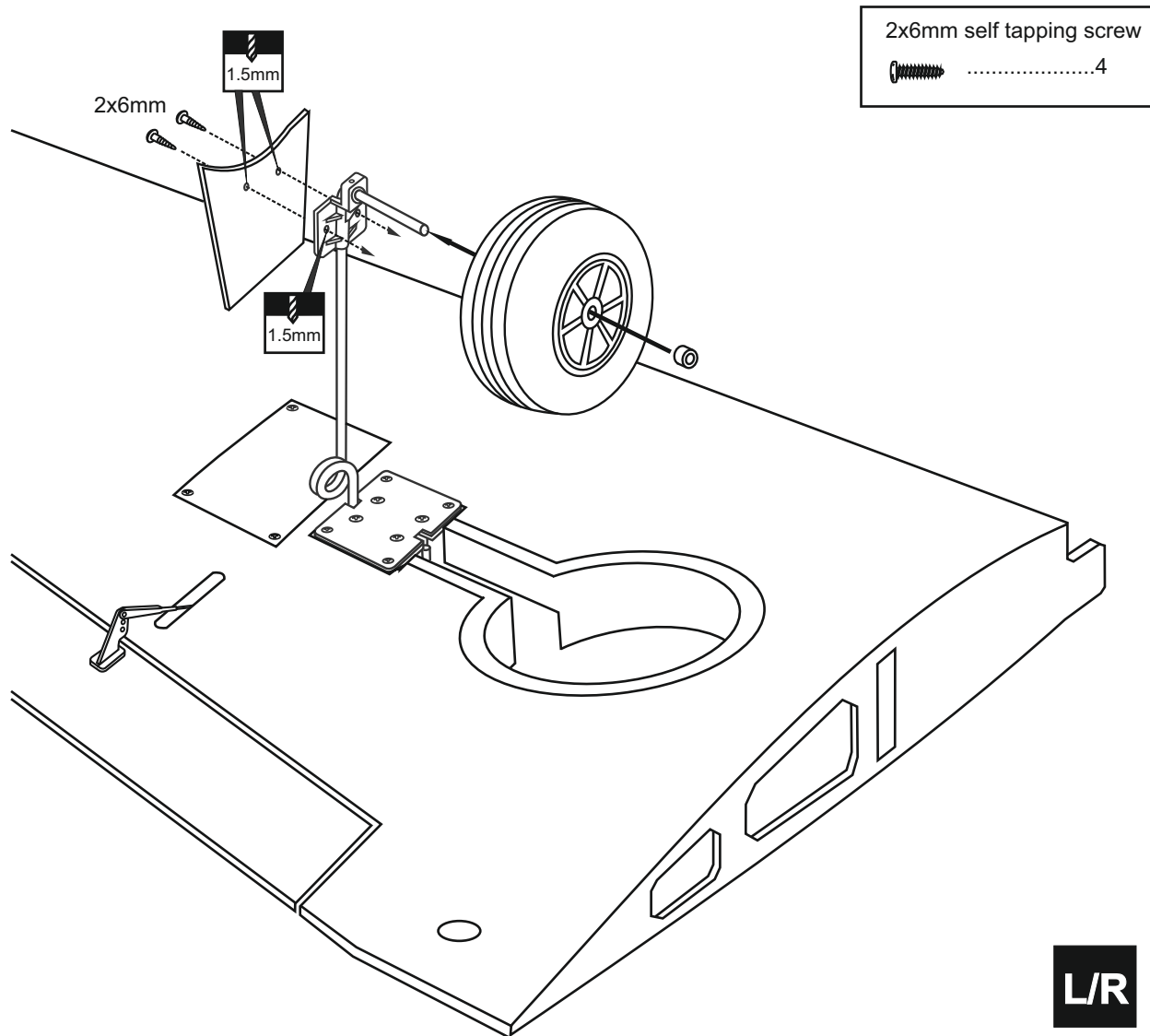
3x12mm self tapping screw

8



9- Fixed gear installation

Siai Marchetti SF-260

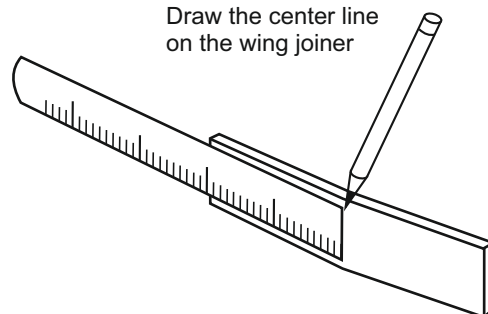


10- Joining the wing halves

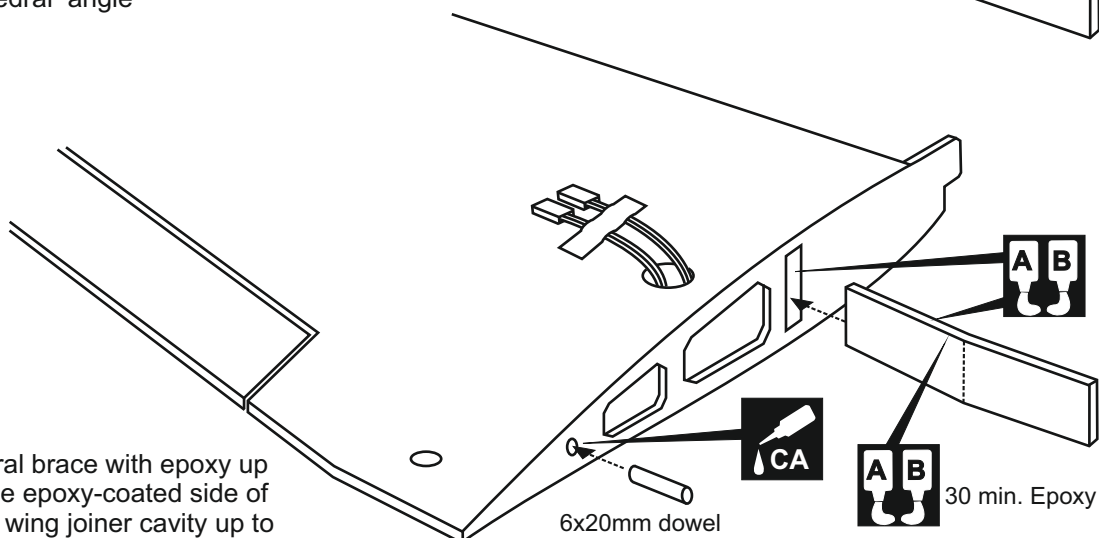
Before gluing:

- Draw the center line on the wing joiner.
- Trial fit each part before gluing . Be certain that there are no gaps. If the parts will join, but with a gaps, sand or trim the parts a little at a time until the parts meet exactly with no gaps.
- Check for the correct dihedral angle

Draw the center line
on the wing joiner

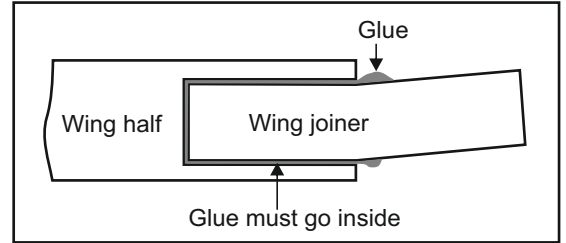
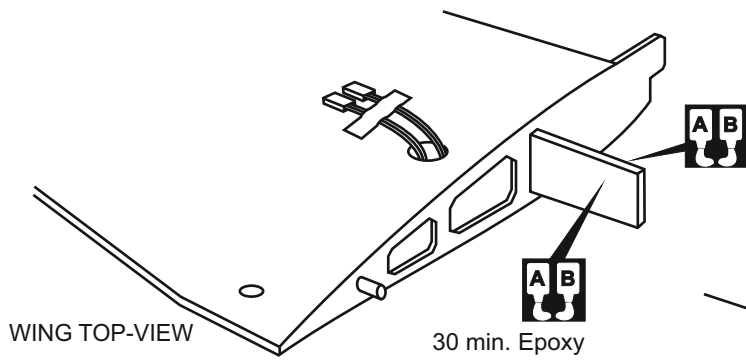


Coat one half of the dihedral brace with epoxy up to the center line. Install the epoxy-coated side of the dihedral brace into the wing joiner cavity up to the center line.



11- Joining the wing halves

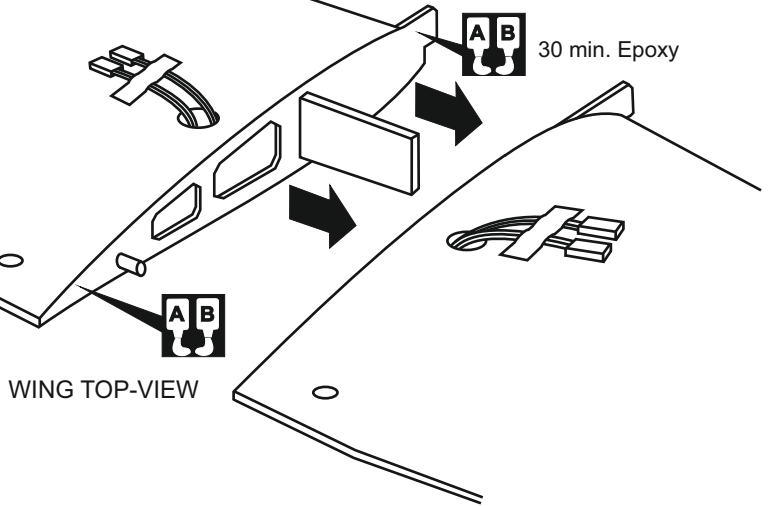
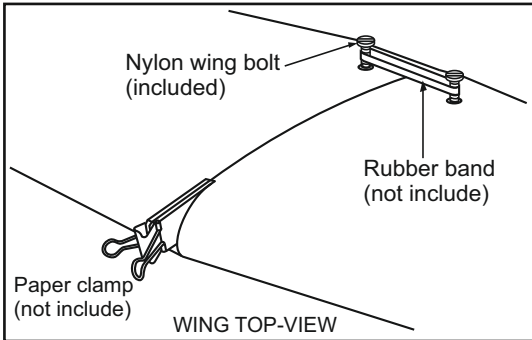
Siai Marchetti SF-260



! Make sure to glue securely, if not properly glued, a failure in flight may occur.

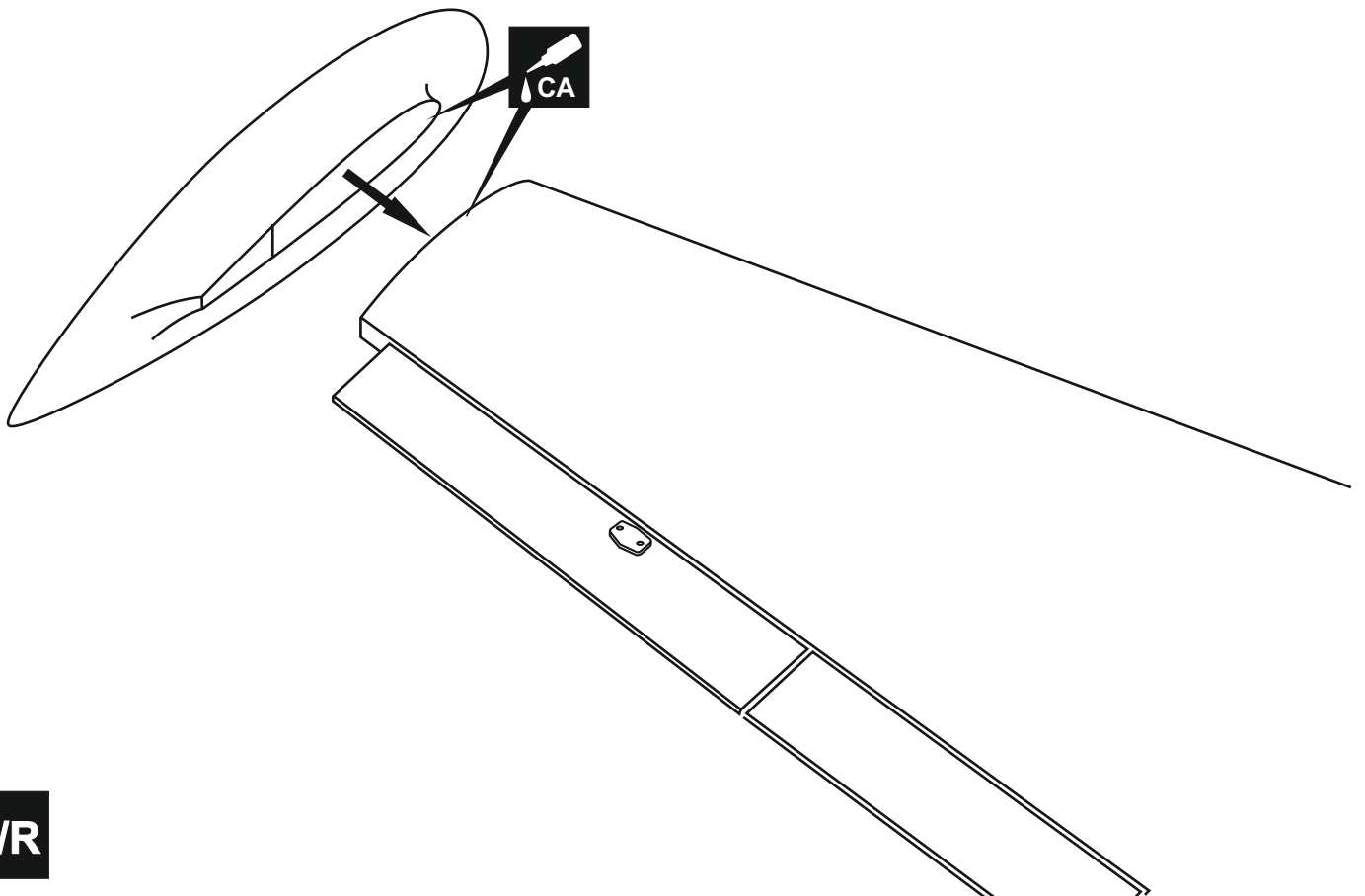
Carefully slide the wing halves together, ensuring that they are accurately aligned. Firmly press the two halves together, allowing the excess epoxy to run out. Note: The two wing halves roots must fit together perfectly. Clear off the excess epoxy.

Hold the wing halves together with paper clamp and rubber band.



IMPORTANT: Please do not clean off the excess epoxy on the wing with strong solvent or pure alcohol, only use kerosene to keep the colour of your model not fade.

12- Wing tip Tank



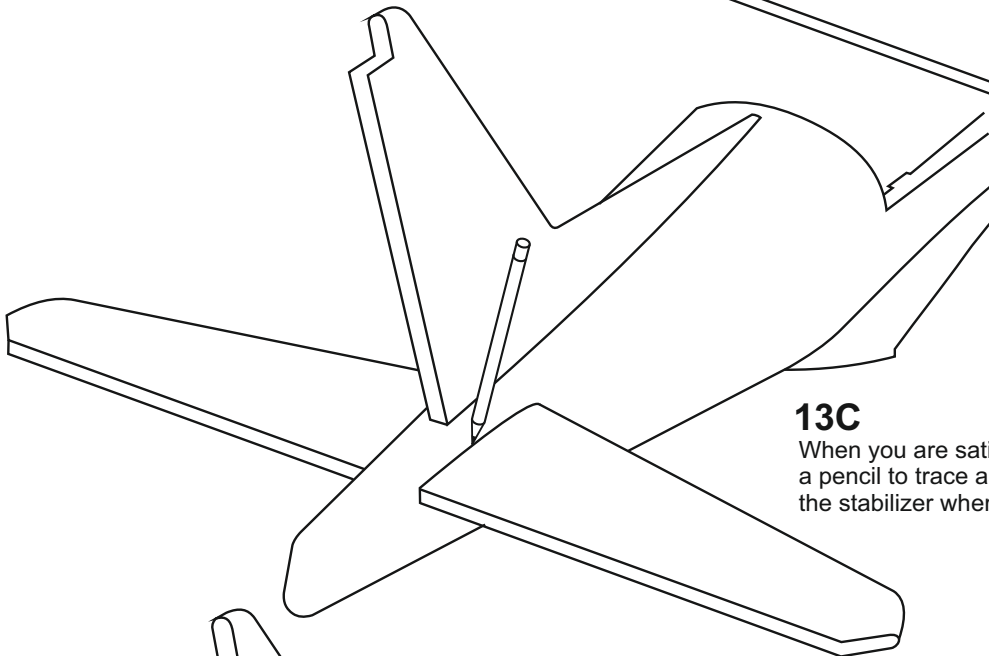
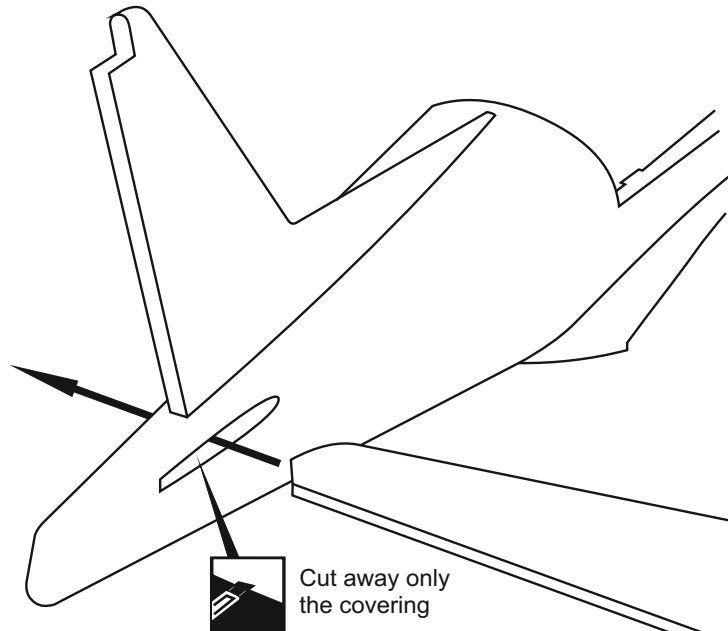
13A

Using a sharp hobby knife, carefully cut away the covering around of all slots for the horizontal stabilizer installation.

Pull the left and right elevator out of the horizontal stabilizer.

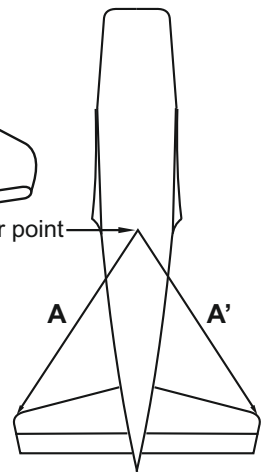
13B

Push the horizontal stabilizer into the slot on the fuselage as show. Check the alignment of the horizontal stabilizer by measuring from a fixed point along the center line of the fuselage to the leading edge on each side of the horizontal stabilizer. The distance must be equal on both sides . If not, adjust the stabilizer until the measurements are the same (see picture below: $A=A'$).



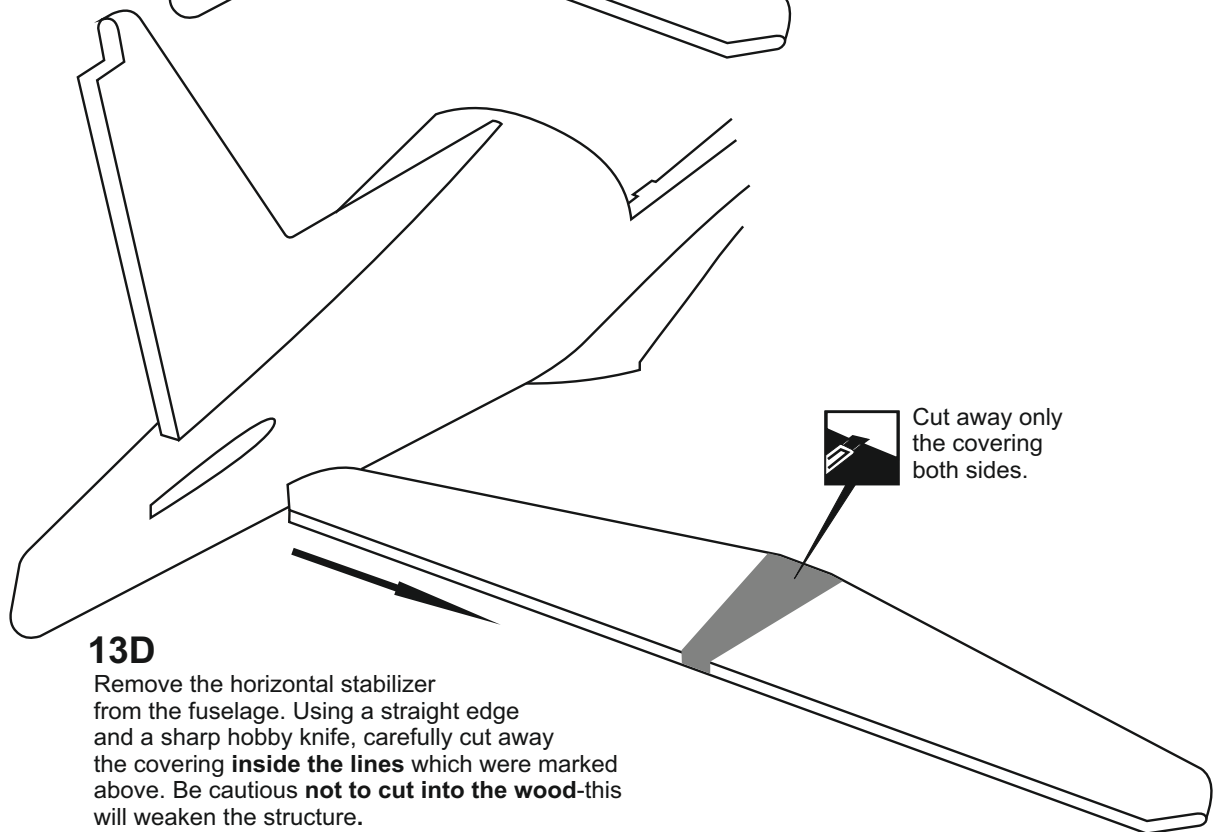
Center point

$A=A'$



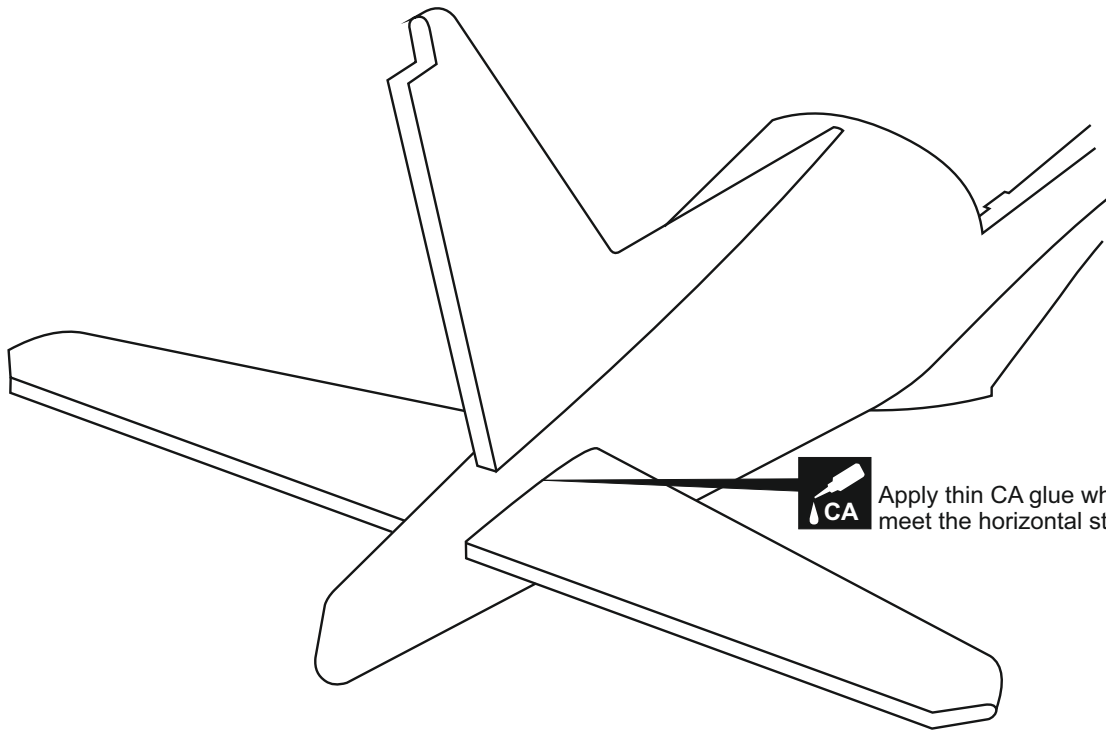
13C

When you are satisfied with the alignment, use a pencil to trace around the top and bottom of the stabilizer where it meets the fuselage.



13D

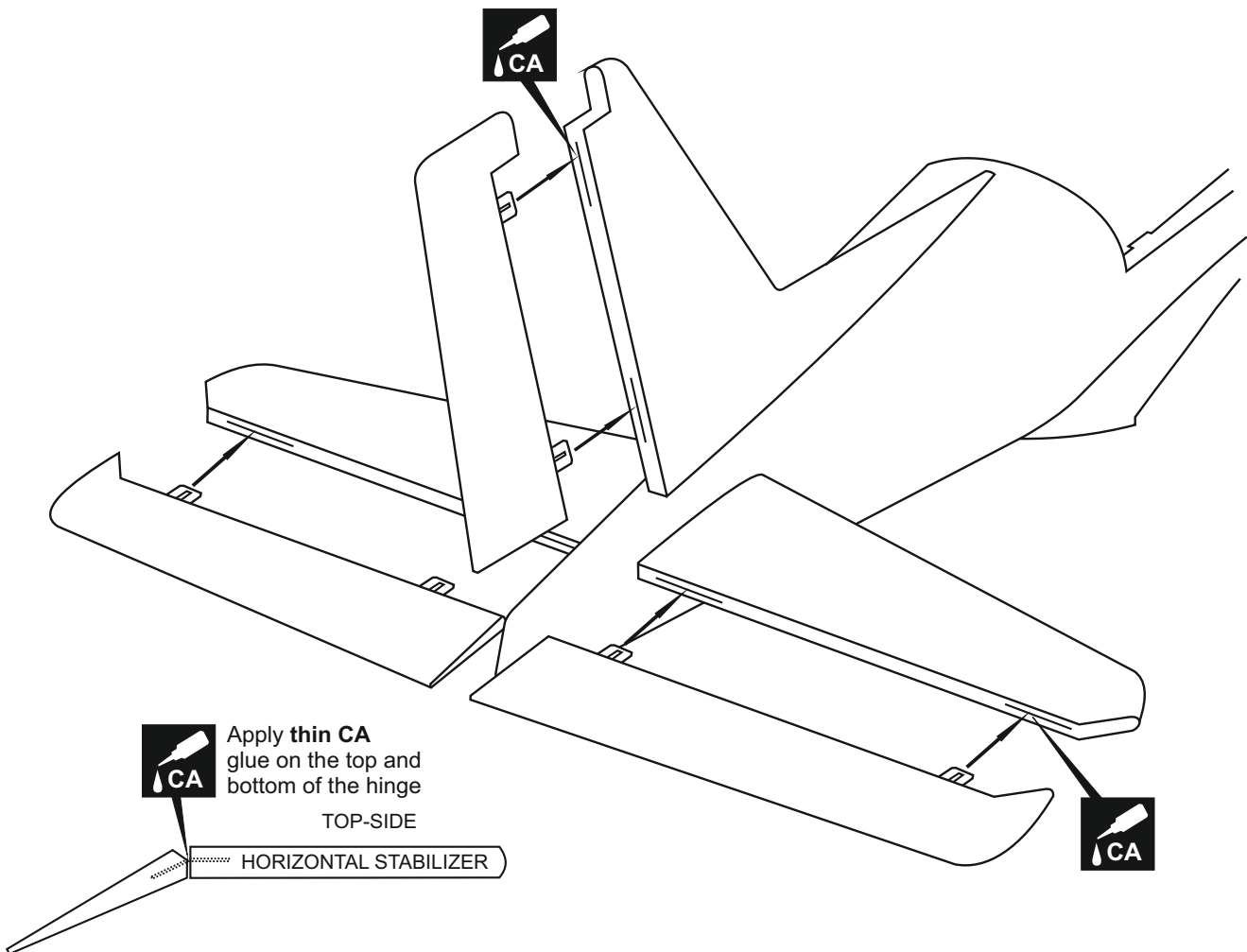
Remove the horizontal stabilizer from the fuselage. Using a straight edge and a sharp hobby knife, carefully cut away the covering **inside the lines** which were marked above. Be cautious **not to cut into the wood**-this will weaken the structure.



Install the horizontal stabilizer onto the fuselage and adjust the alignment as described in step 13B.
Note: it is important to ensure that the horizontal stabilizer is also level in regards to the fuselage.
Apply the thin CA along the area where the covering was removed in the previous step and to the fuselage where the horizontal stabilizer mounts .

! Securely glue together. If coming off during fly, you lose control of your air plane.

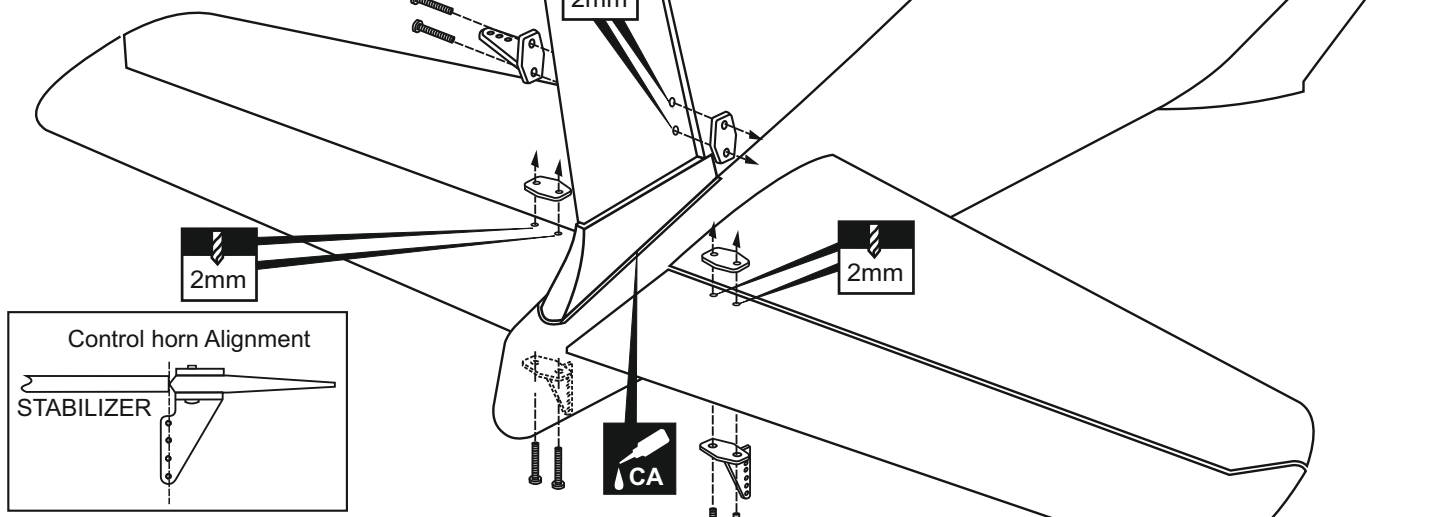
15- Rudder and Elevator



16- Control horn installation

Siai Marchetti SF-260

- Plastic control horn3
- Plastic back plate3
- 2x15mm screw6



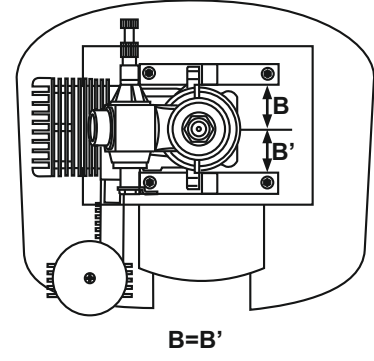
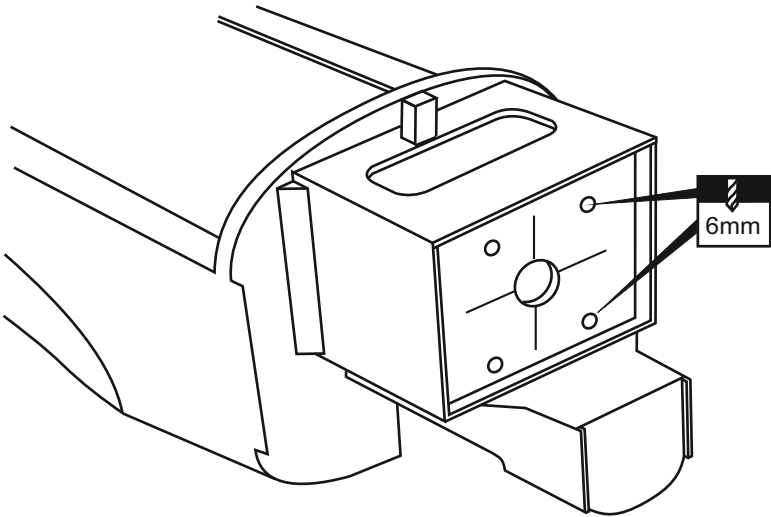
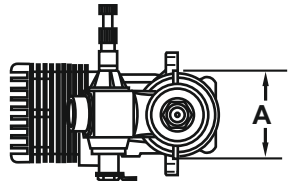
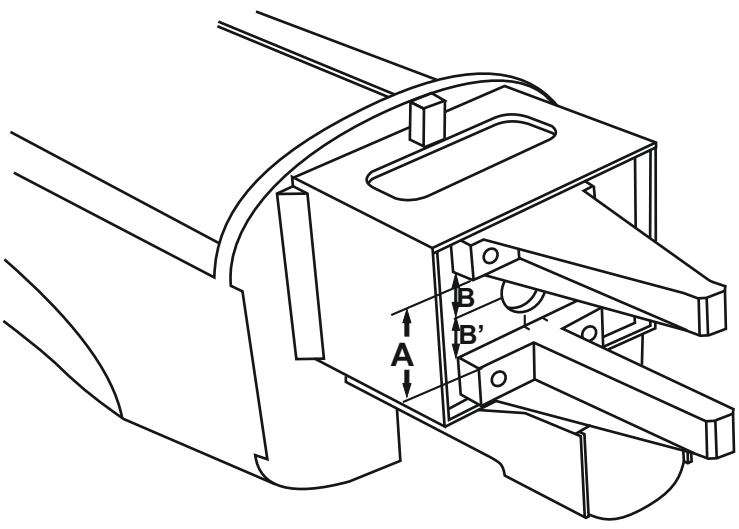
Attach the rudder control horn using the hardware provided (two 2x15mm screws and a back plate).



17- Engine

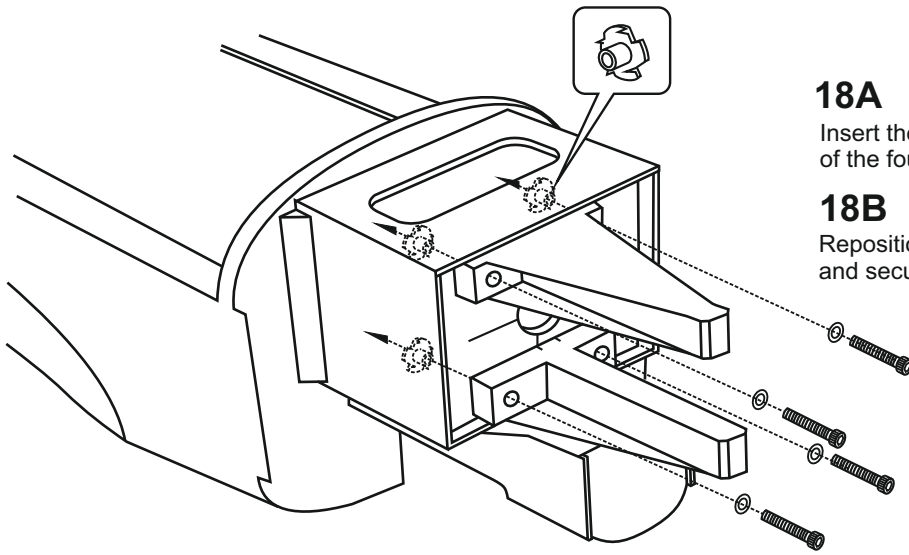
Attach the engine mount beams onto the fire-wall so the distance between of two engine mount beams is "A", and B=B' as show. Secure the engine mount beams onto the fire-wall with litter CA glue (1B)

! Align the mark on both engine mount beams with the mark on the fuselage

Using a pencil or felt tipped pen, mark the fire wall where the four holes are to be drilled(1B))



4x25mm screw - washer	4
Blind-nut	4



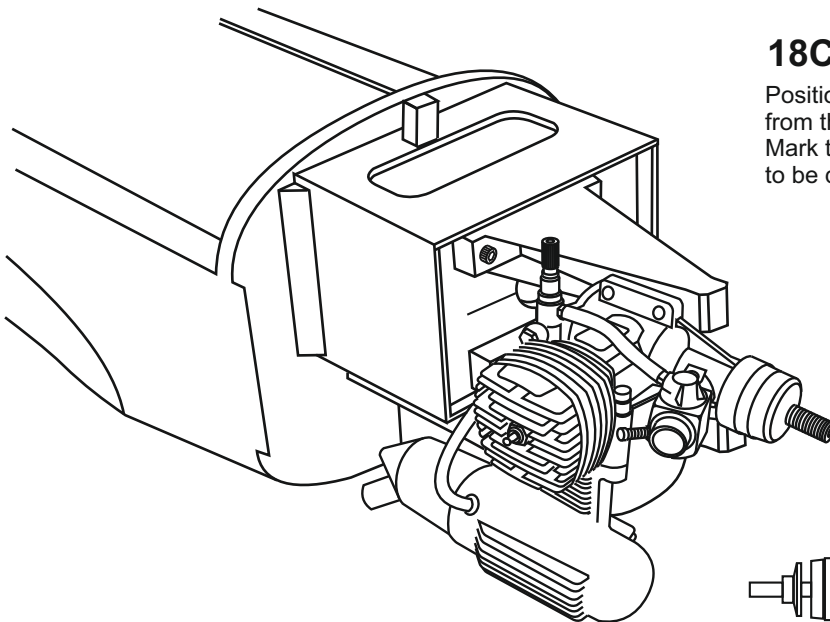
18A

Insert the blind-nut onto each of the four holes made above .

18B

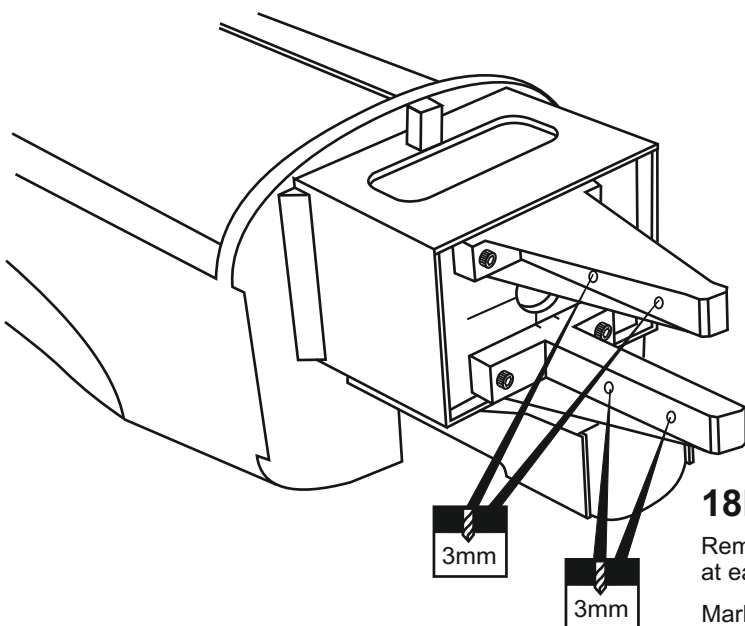
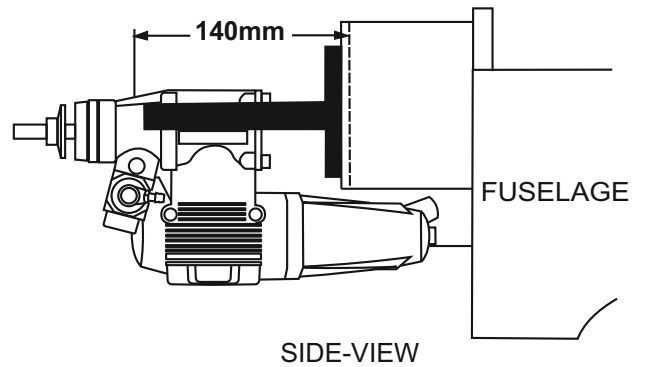
Reposition the engine mount beams on to the fire-wall and secure them with four 4x25mm screw.

! Engine thrust on balk head is already adjust at factory



18C

Position the engine to the engine mounts so the distance from the prop hub to the fire-wall is 140mm. Mark the engine mounting plate where the four holes are to be drilled.



18D

Remove the engine and drill a 3mm holes through the beam at each of the four marks made above.

Marking sure that you drill the hole perpendicular to the beam of the engine mount.

19- Engine continued

Siai Marchetti SF-260

3x25mm screw

.....4

Washer

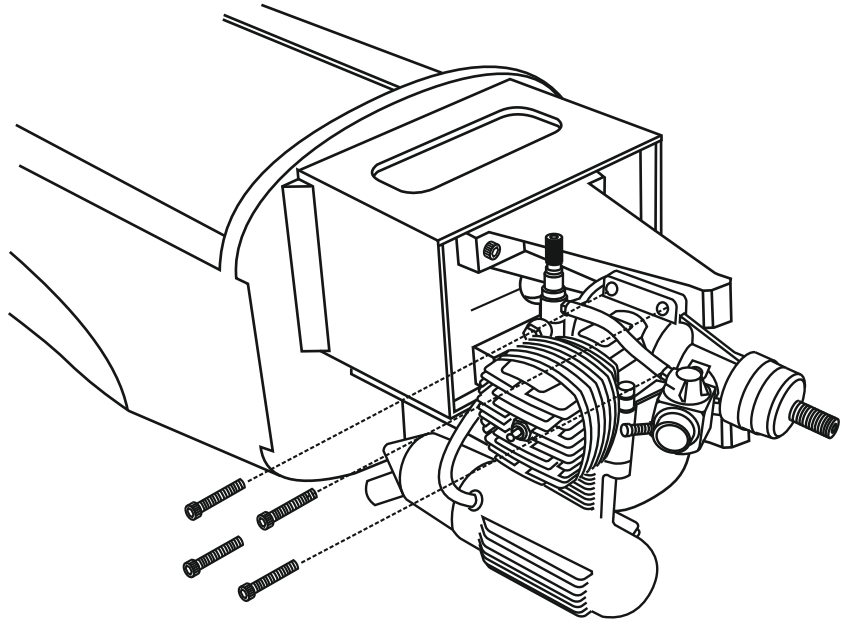
.....4

3mm nut

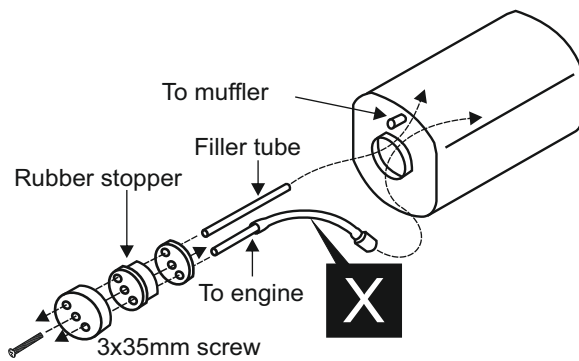
.....4

Reposition the engine on the engine mount beams, aligning it with the holes. Secure the engine to the engine mount using four 3x25mm screws.

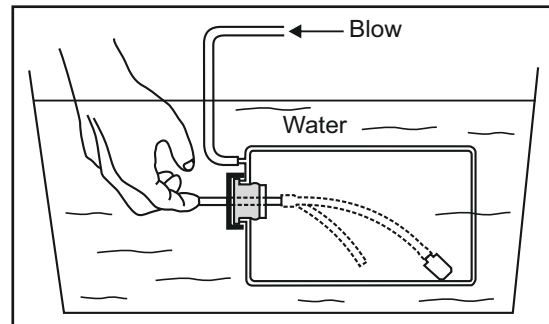
Note: Apply Silicon sealer to each of the 3x25mm screw and nut.



20- Fuel tank



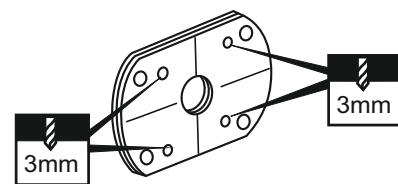
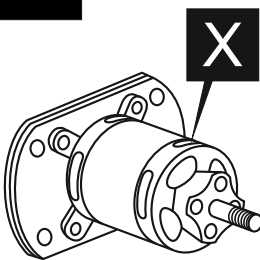
Checking for leaks - block the vents and blow into the feed - if in doubt submersing the tank in a blow of water will show up any problems.



21- Electric Motor

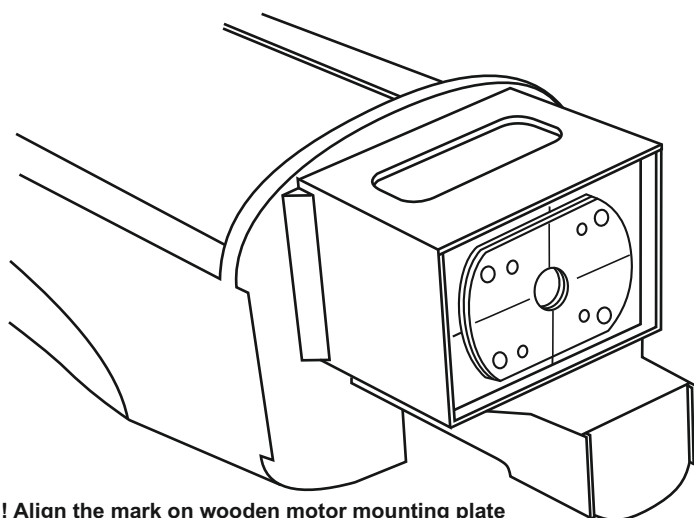
21A

Using an aluminum motor mounting plate as a template, mark the plywood motor mounting plate where the four holes are to be drilled.



21B

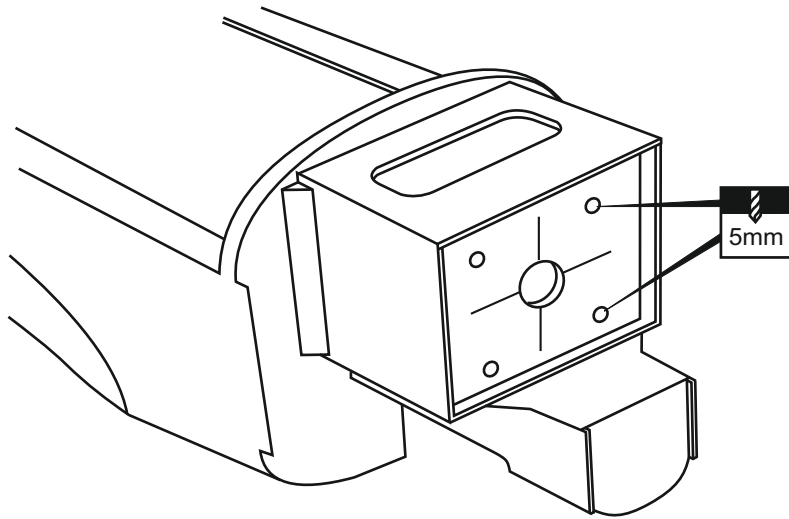
Remove the aluminum motor mounting plate and drill a 1/8" (3mm) hole through the plywood at each of the four marks marked .



21C

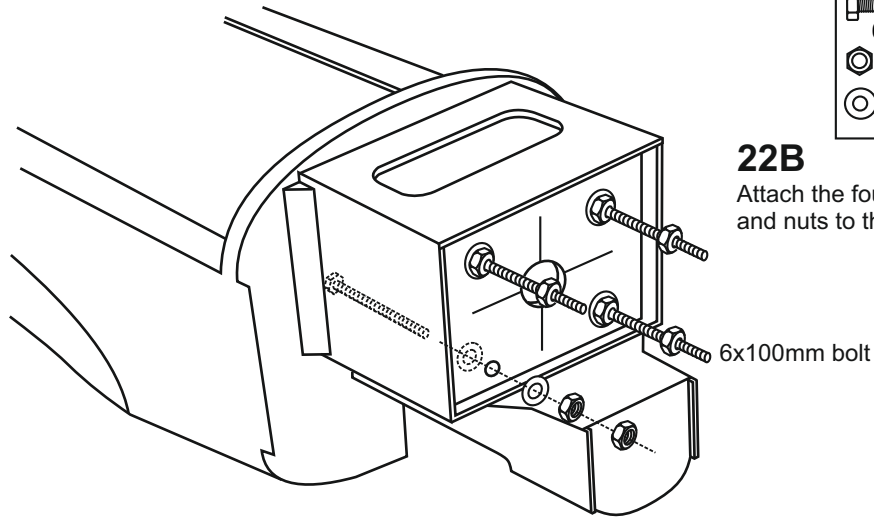
Using a wooden motor mounting plate as a template, mark the fire-wall where the four holes are to be drilled.

! Align the mark on wooden motor mounting plate with the mark on the fire-wall.



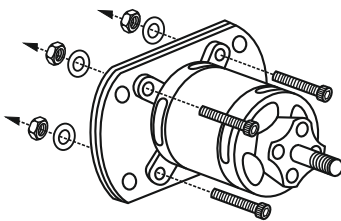
22A

Remove the wooden motor mounting plate and drill a 5mm hole through the fire-wall at each of the four marks marked .



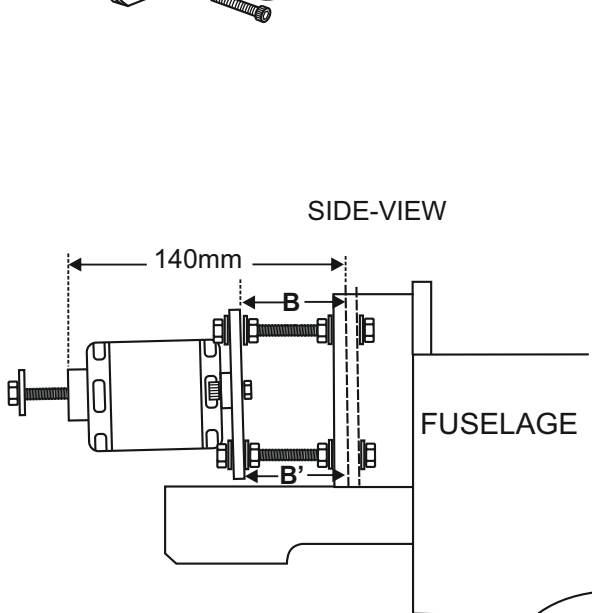
22B

Attach the four 6x100mm bolts and nuts to the fire-wall as shown.

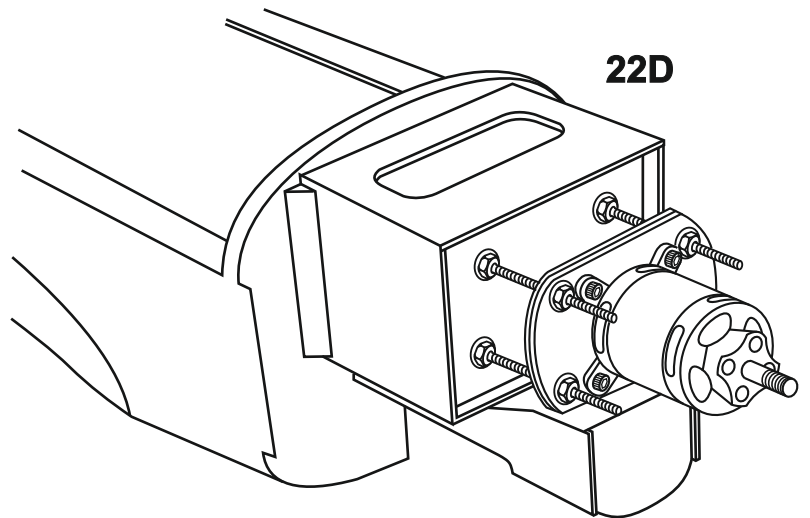


22C

Secure the Motor to the wooden motor mounting plate using the four 3mm bolts.

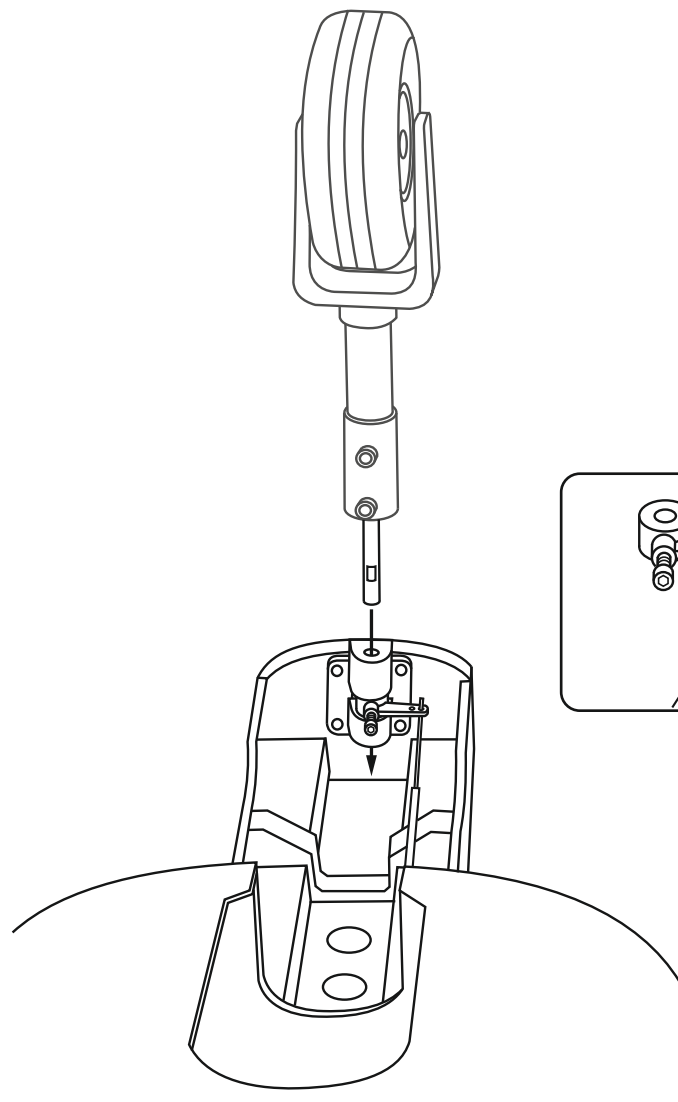
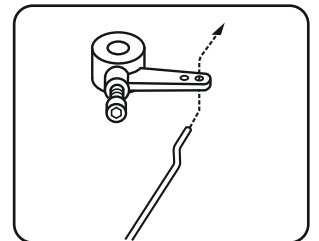
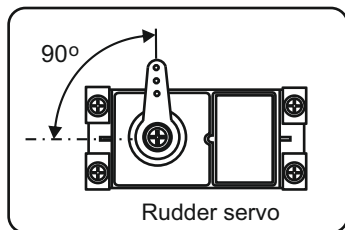
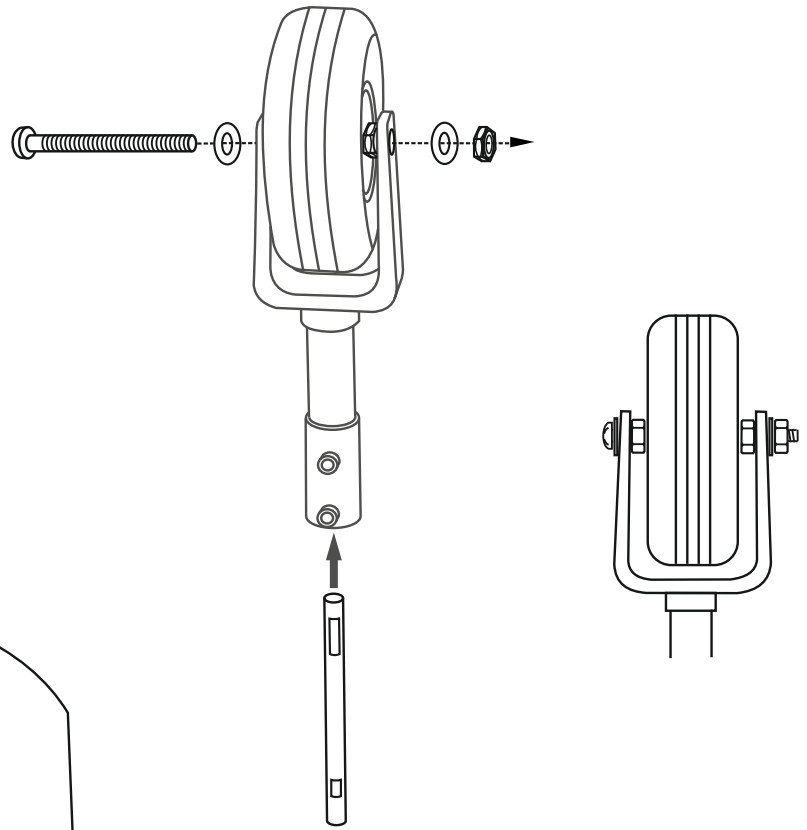
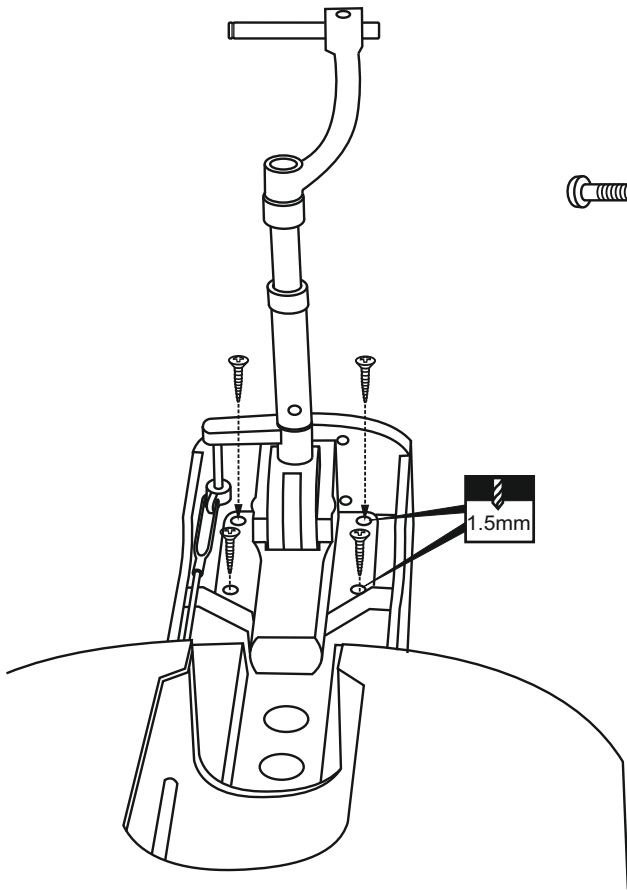


22D








! Motor thrust on balk head is already adjust at factory

B=B'



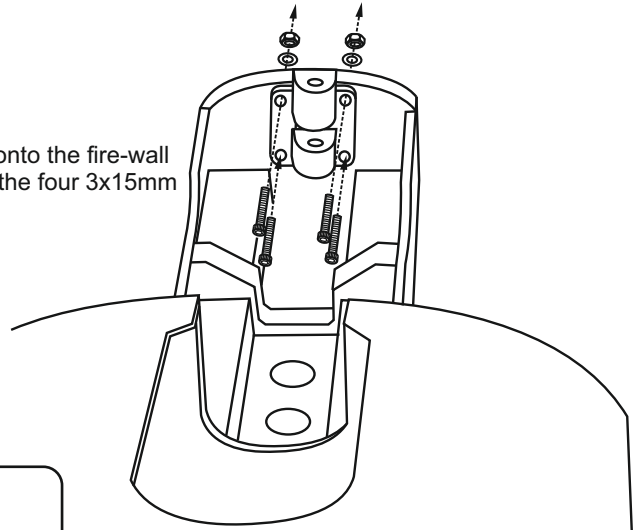
24- Nose Gear (Fixed gear)

Siai Marchetti SF-260

-  Nose gear mount1
-  3x15mm screw...4
-  3mm nut, washer...4
-  Steering arm...1
-  4mm colar.....2

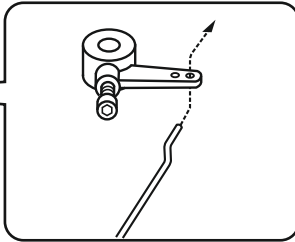
24A

Place the nose gear mount onto the fire-wall and secure it in place using the four 3x15mm screws.



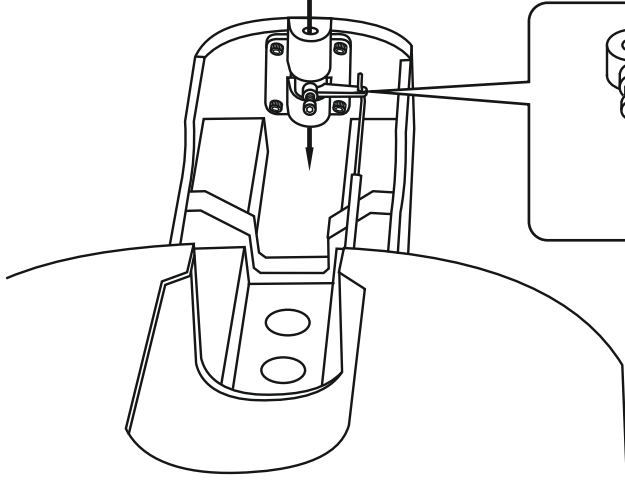
24B

Insert "z" bend of steering linkage inside the hole of front landing gear steering arm



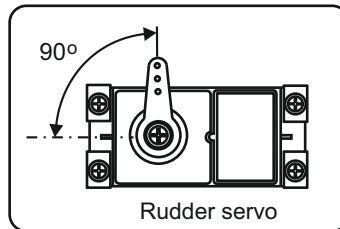
24C

Position the steering arm inside the front landing gear mount already.



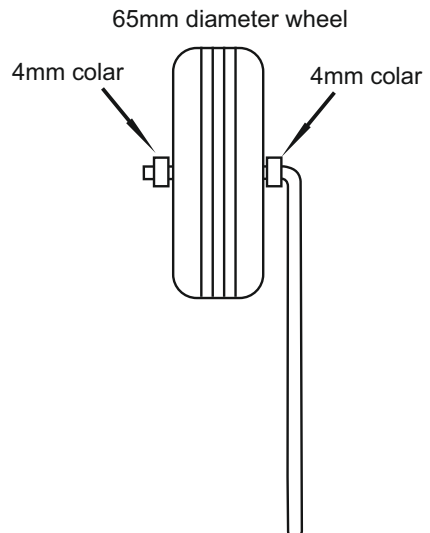
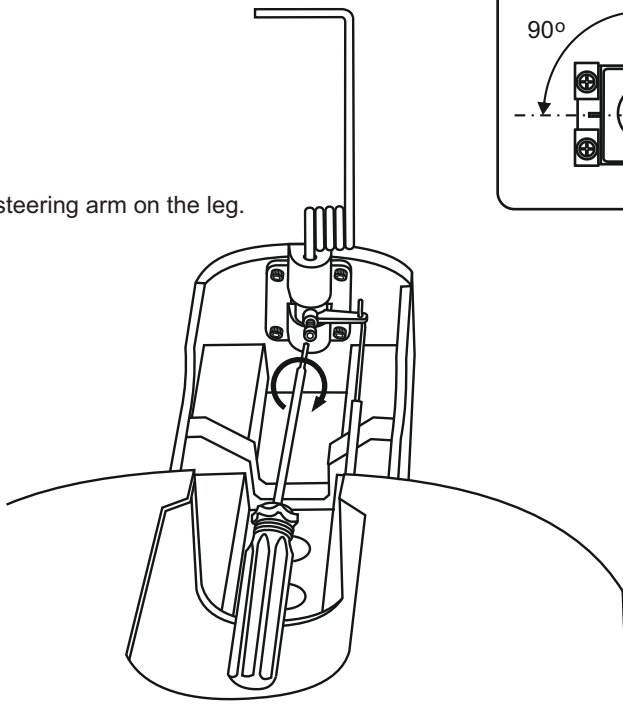
24D

Slide in the front gear leg with the flat to back through the bearing and steering arm.

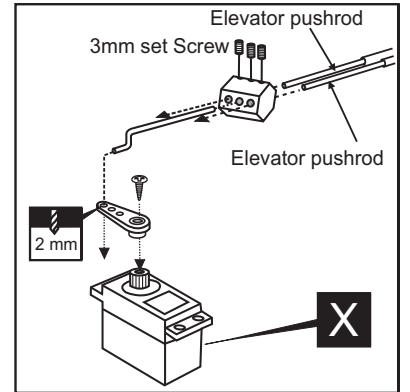
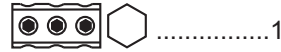


24E

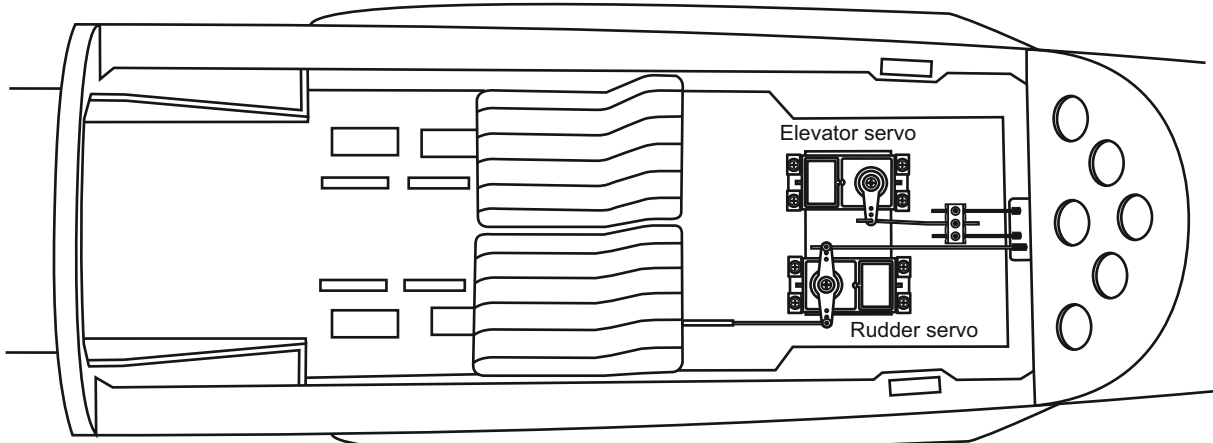
Screw steering arm on the leg.



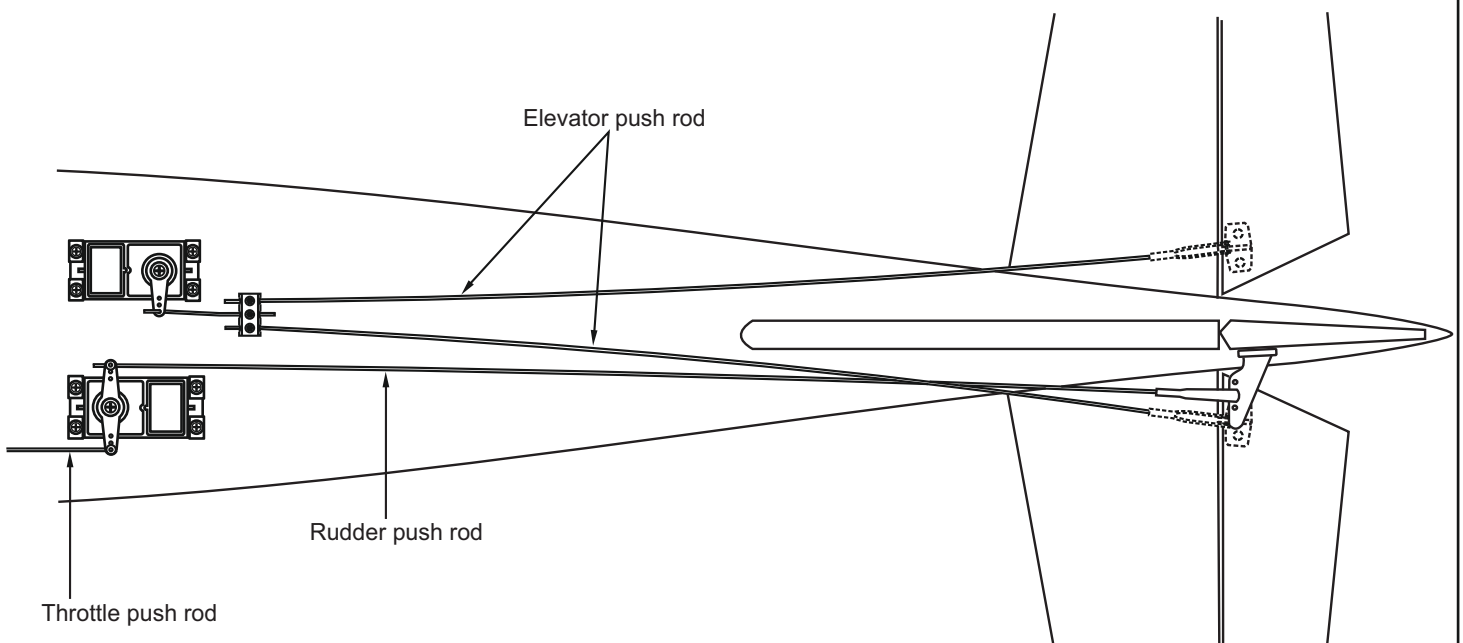
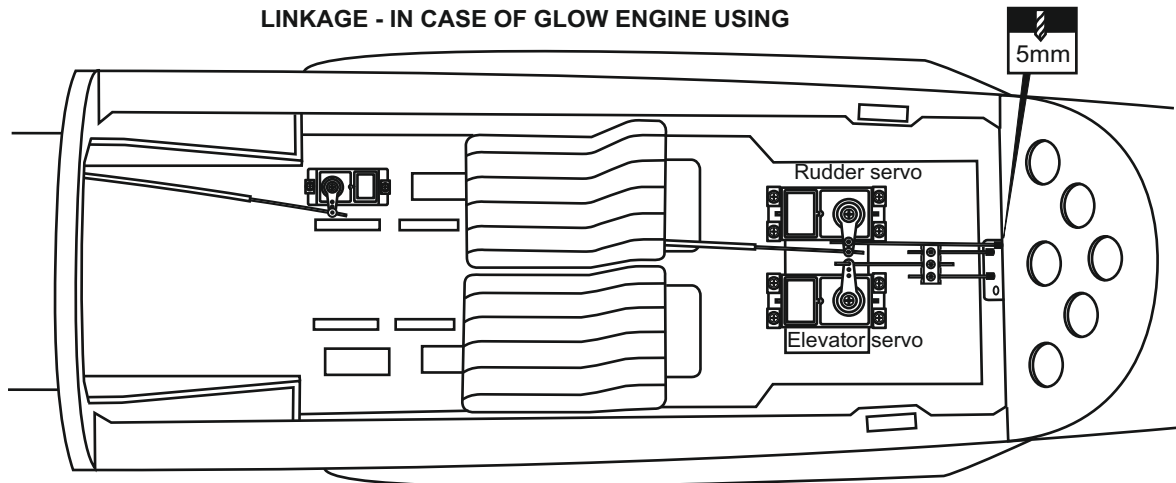
Connector



LINKAGE - IN CASE OF ELECTRIC MOTOR USING




LINKAGE - IN CASE OF GLOW ENGINE USING



26- Servo and Linkage

Siai Marchetti SF-260

2.5x12mm self tapping screw

5

 Cut off shaded portion



 1.5mm

2.5mm self tapping screw

 1.5mm

2mm

27- Decal

 **SOCCORSO**
RUOTARE LA MANOVELLA
FAR SCORRERE IL TETTUCCIO
 **RESCUE**
TURN HANDLE
SLIDE CANOPY

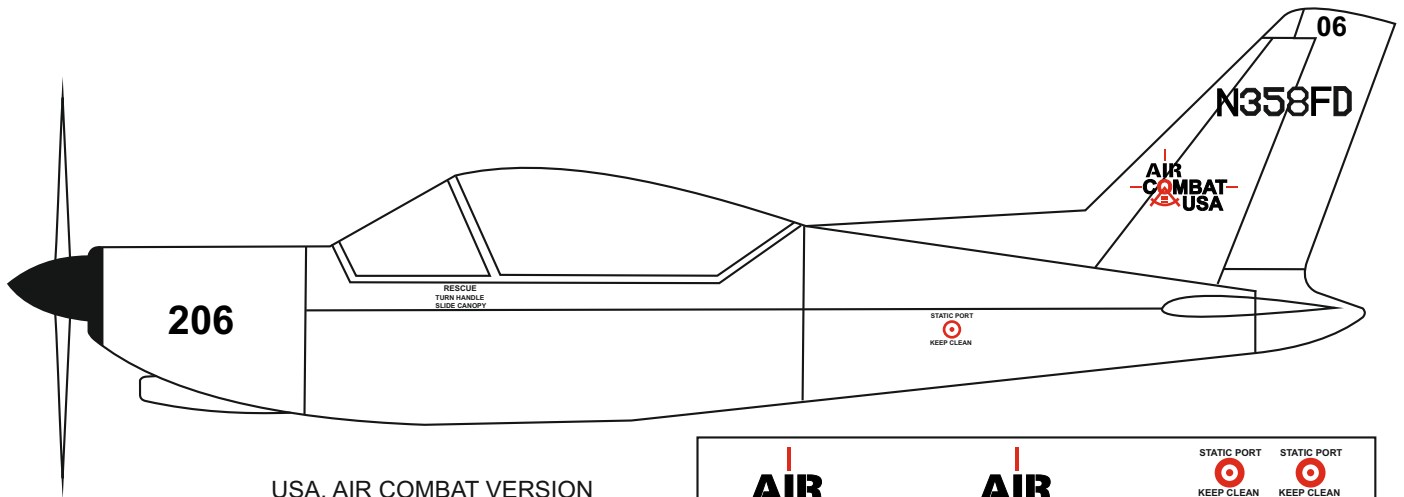
SOCCORSO
RUOTARE LA MANOVELLA
FAR SCORRERE IL TETTUCCIO
RESCUE
TURN HANDLE
SLIDE CANOPY



SOCCORSO
RUOTARE LA MANOVELLA
FAR SCORRERE IL TETTUCCIO

70  26

ITALY AIR FORCE VERSION



USA. AIR COMBAT VERSION



Note: Cut out the stickers and apply them in the proper area. Do not peel the backing paper off all at once.

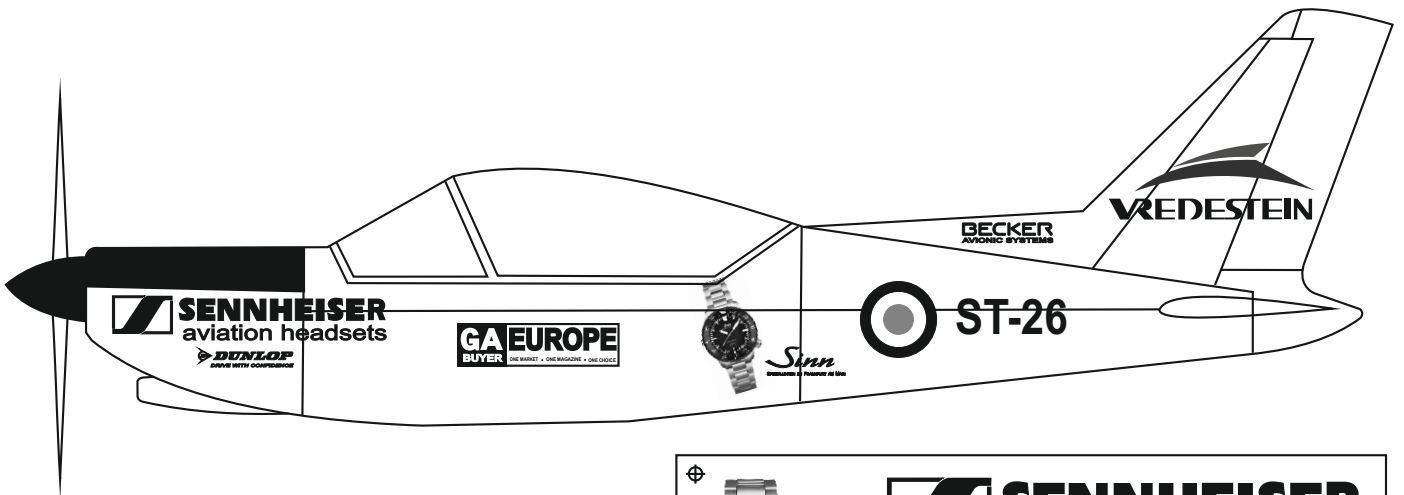
Peel off one corner of the backing and cut off with scissors.

Arrange sticker on model and when satisfied adhere the corner without backing.

Carefully peel back the rest of the backing while at the same time adhering the rest of the sticker.

Try not to make air bubbles, if there are some, carefully puncture sticker (center of bubble) but not model surface with the tip of the knife or sharp pin and squeeze out the air.

At curves stretch sticker and apply a little heat so that no creases occur.

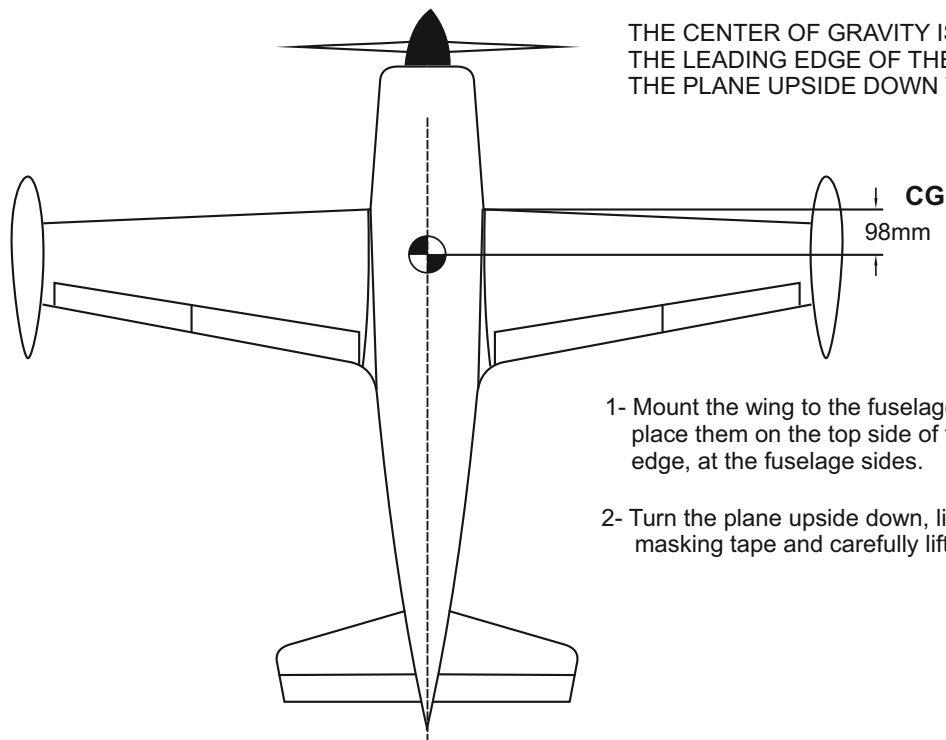


GERMAN VERSION

See at www.sf-260.de



THE CENTER OF GRAVITY IS LOCATED BACK FROM THE LEADING EDGE OF THE WING, AT THE FUSELAGE. BALANCE THE PLANE UPSIDE DOWN WITH THE FUEL TANK EMPTY.



1- Mount the wing to the fuselage. Using a couple of pieces of masking tape, place them on the top side of the wing (98mm) back from the leading edge, at the fuselage sides.

2- Turn the plane upside down, lift the airplane. Place your fingers on the masking tape and carefully lift the plane.

3- If the nose of the plane falls, the plane is heavy nose. To correct this, move the battery pack further back in the fuselage. If the tail of plane falls, the plane is tail heavy. To correct this, move the battery forward or if this is not possible, stick weight onto the firewall. When balanced correctly, the airplane should level or slightly nose down when you lift it up with your fingers.

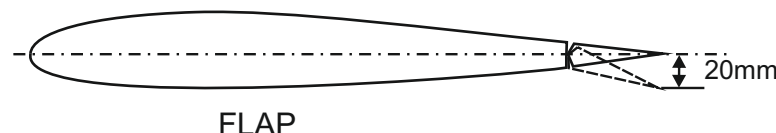
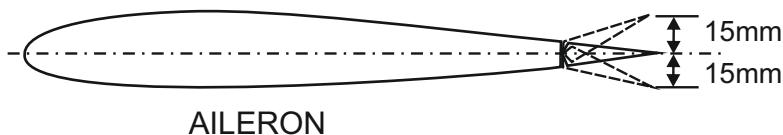
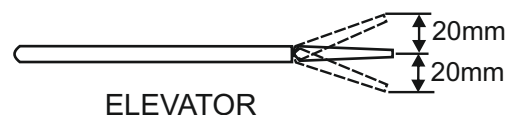
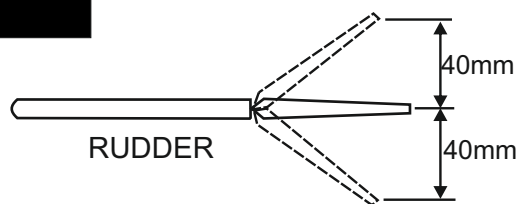
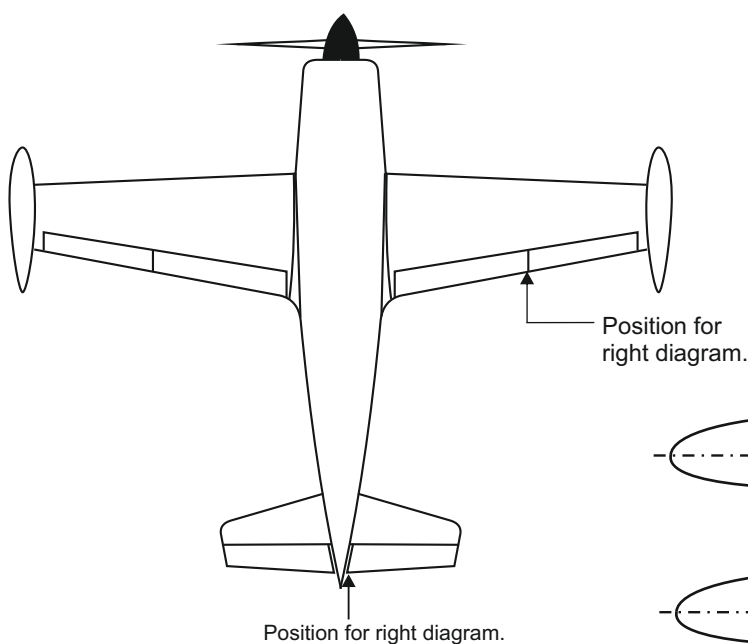
LATERAL BALANCE:

After you have balanced a plane on the CG, you should laterally balance it. Doing this will help the airplane track straighter.

- 1- Turn the airplane upside down. Attach one loop of heavy string to the engine crankshaft and one to the tail wheel wire. With the wing level, carefully lift the airplane by the string. This may require two people to make easier.
- 2- If one side of the wing fall, that side is heavier than the opposite. Add small amounts of lead weight to the bottom side of the lighter wing half's wing tip. Follow this procedure until the wing stays level when you lift the airplane.

DO NOT try to fly an out-of-balance model !

30- Control throws



IMPORTANT: Flying your model at these throws will provide you with the greatest chance for successful first flights. If, after you have become accustomed to the way the Siai Marchetti SF-260 flies, you would like to change the throws to suit your taste that is fine. However, too much control throw could make the model difficult to control, so remember, "more is not always better".