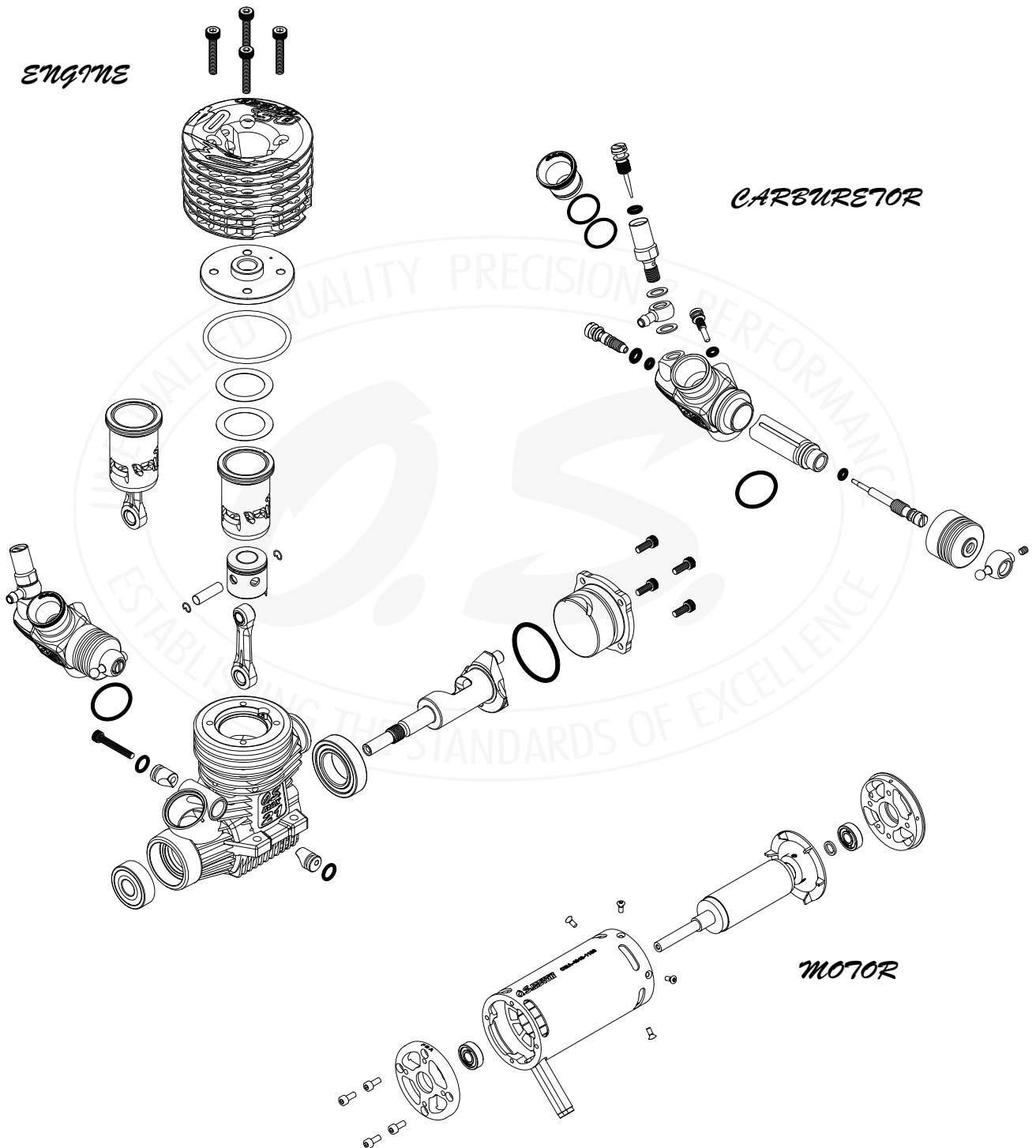


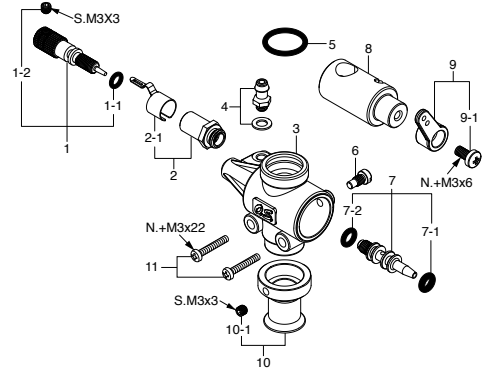
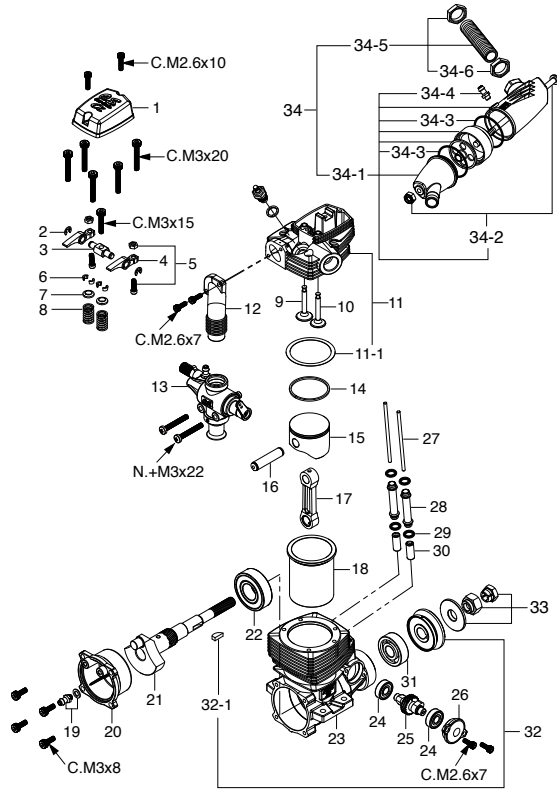
# 2019 EXPLODED VIEWS WITH CODE NUMBERS LIST



\* Type of screw

C...Cap Screw B...Binding Screw M...Oval Fillister-Head Screw

F...Flat Head Screw T...Tapping Screw N...Round Head Screw S...Set Screw



### CAP SCREW SETS (10pcs./sets)

Code No.	Size	Pcs. used in an engine
79871020	M2.6x7	Cam Cover Retaining Screw (2pcs.) Intake Manifold Retaining Screw (2pcs.)
79871030	M2.6x10	Rocker Cover Retaining Screw (2pcs.)
79871110	M3x8	Cover Plate Retaining Screw (4pcs.)
79871150	M3x15	Rocker Support Retaining Screw (1pc.)
79871200	M3x20	Cylinder Head Retaining Screw (5pcs.)

No.	Code No.	Description
1	44881970	Needle Assembly (60RA) FS $\alpha$ -81
1-1	24981837	"O" Ring (2pcs.)
1-2	26381501	Set Screw
2	27381940	Needle Valve Holder Assembly 20C,60U,70D,7H
2-1	26711305	Ratchet Spring No.4
3	44381100	Carburetor Body (61N) FS $\alpha$ -72
4	22681953	Fuel Inlet (No.1)
5	46115000	Carburetor Rubber Gasket (1pc.)
6	45581820	Rotor Guide Screw 20C,60MC,70D
7	45582300	Mixture Control Valve Assembly 70N,60F
7-1	46066319	"O" Ring (L) (2pcs.)
7-2	24881824	"O" Ring (S) (2pcs.) (7B)
8	44381200	Carburetor Rotor (61N) FS $\alpha$ -72
9	22081408	Throttle Lever Assembly (No.5)
9-1	22081313	Throttle Lever Retaining Screw 1A-3A
10	44381300	Velocity Stack (61N) FS $\alpha$ -72,81P
10-1	26381501	Set Screw
11	45581700	Carburetor Retaining Screw (2pcs.) FS70S-120S

No.	Code No.	Description
1	44304210	Rocker Cover (Black) FS $\alpha$ -72II
2	45761600	Rocker Arm Retainer (2pcs.) FS26-120S,70U
3	45961410	Rocker Support (1pc.) FS $\alpha$ -81,FS70S,91S
4	44861000	Rocker Arm (1pc.) FS $\alpha$ -81
5	45061202	Tappet Adjusting Screw (1pair) FS,FT,FF,FR,IL
6	45960400	Split Cotter (2pcs.) FS70S,70S2,70U,91S2
7	45960310	Valve Spring Retainer (1pc.) FS70S2,91S2
8	45960210	Valve Spring (1pc.) FS70S2,91S2,70U
9	44750100	Intake Valve (1pc.) FS $\alpha$ -72
10	44751100	Exhaust Valve (1pc.) FS $\alpha$ -72
11	44304110	Cylinder Head (W/Gasket) FS $\alpha$ -72II
11-1	44714100	Cylinder Head Gasket (1pc.) FS70U,FS72-81
12	44369400	Intake Manifold (1pc.) FS $\alpha$ -72
13	44381000	Carburetor Complete (Type 61N) FS $\alpha$ -72
14	44303400	Piston Ring FS $\alpha$ -72
15	44303200	Piston FS $\alpha$ -72
16	44306000	Piston Pin FS $\alpha$ -72
17	44305000	Connecting Rod FS $\alpha$ -72
18	44303100	Cylinder Liner FS $\alpha$ -72
19	22681953	Nipple No.1
20	44307010	Cover Plate FS $\alpha$ -72II
21	44302000	Crankshaft FS $\alpha$ -72
22	44230000	Crankshaft Ball Bearing (Rear) FS $\alpha$ -56,52S,70U
23	44301000	Crankcase FS $\alpha$ -72
24	45231100	Camshaft Ball Bearing (1pc.) FS40-120S
25	44362000	Camshaft FS $\alpha$ -72
26	44301100	Cam Cover FS $\alpha$ -72

No.	Code No.	Description
27	44366000	Push Rod (2pcs.) FS $\alpha$ -72
28	44366100	Push Rod Cover (1pc.) FS $\alpha$ -72
29	27881840	Push Rod Cover "O" Ring (2pcs.) (S-4)
30	45664000	Cam Follower (2pcs.) FS48S,52S,61,FS70U
31	26531005	Crankshaft Ball Bearing (Front) FS52S
32	44308000	Drive Hub (W/woodruff key) FS $\alpha$ -72
32-1	27708200	Woodruff Key 50-61,91SX,SZ,RZ-H
33	45810100	Lock Nut Set FS30S-56,FS70U
34	44825000	F-5030 Silencer Assembly FS $\alpha$ -81
34-1	44825100	Silencer Body F-5030 FS $\alpha$ -81
34-2	44825400	Assembly Screw F-5030
34-3	44625410	Silencer Gasket (1pc.) (S-20) F-4040,F-5030
34-4	22681957	Pressure Nipple (No.7)
34-5	44825200	Exhaust Header Pipe Assembly F-5030 FS $\alpha$ -81
34-6	45626030	Exhaust Header Pipe Nut M11 (1pc.) FS70S-91S2
	71615009	Glow Plug Type F