



# PowerBox Systems®

World Leaders in RC  
Power Supply Systems



## POWER PAK

PowerPak 2.5X2 ECO | PowerPak 2.5X2 PRO  
PowerPak 5.0X2 PRO | PowerPak 2.5X3 PRO

Dear **PowerBox** pilot,

We are delighted that you have chosen a power supply system from the **PowerPak** series. These high-quality energy storage units combine maximum power density and security in a rugged, compact case. **PowerPaks** are very flexible: thanks to the mounting frame supplied as standard, they are easy to install, and can be swapped between models.

The **PowerPaks 2.5X2** are available in two versions: **ECO** and **PRO**. The two variants differ only in the charging technology – the performance of the cells is always the same. The **PRO** version features integral charging circuitry and a voltage monitor, whereas the **ECO** version is charged using a conventional Li-Ion charger. Balancers are standard in both versions.

The self-discharge feature originally fitted is to be discontinued as of Winter 2018, this function is now handled by the supplied **BattLife Guard!**

We hope you have years of pleasure and success with your **PowerPak**.

## **FEATURES:**

- + integral charge / security electronics (PRO version)
- + can be charged using mains PSU or 12 V adapter (PRO version)
- + integral voltage monitor using external LED (PRO version)
- + Packs assembled using the latest generation of high-current Li-Ion batteries
- + two different versions: **ECO** and **PRO**
- + two different output voltages: 8.4 V and 12.6 V
- + maximum discharge current 30 A
- + for use as receiver power supplies or turbine batteries
- + integral balancer
- + integral charge socket
- + rugged case protects cells from external influences
- + Packs are held securely in the standard mounting frame with quick-release latch
- + Batteries can remain in the model for charging
- + easy, swift battery swapping
- + economical cell exchange service

## CONTENT

1. Installation, connections .....	3
2. Charging .....	5
3. Cell care .....	7
4. Voltage indicator, PRO version .....	7
5. Cell exchange, Service .....	8
6. Specification .....	8
7. Dimensions.....	9
8. Set contents .....	10
9. Service.....	10
10. Guarantee conditions .....	10
11. Liability exclusion .....	11

## 1. INSTALLATION, CONNECTIONS

**PowerPaks** are installed in the model using the mounting frame, which should be attached to a surface in the model which is as rigid as possible. Fit the rubber grommets and brass spacers as shown in the illustration below:

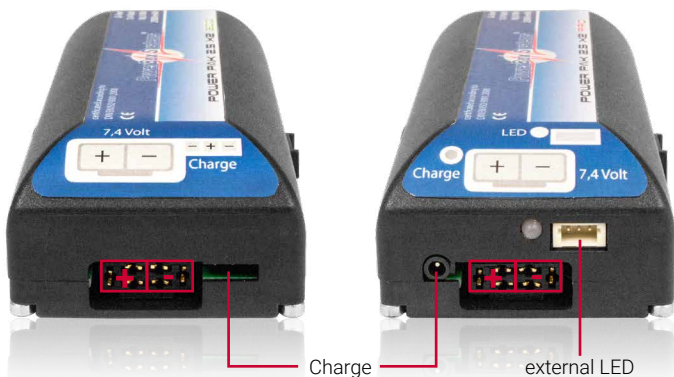


**TIP:** For best support put the flatten side down!

It is important to bear in mind that high G-forces and severe vibration can occur in our models. This means that the mounting surface has to be capable of withstanding several times the weight of the battery. The three-point arrangement of the mounting frame's retaining screws allows the **PowerPak** to be installed on surfaces which are not absolutely flat.

The **PowerPak** is connected to the consumer unit using the patch leads (MPX / JR or MPX / MPX) supplied in the set. It is important that no substantial length of cable should lie loose in the model, as this could place mechanical strain on the connections.

Connections for the two versions - **ECO** (left) and **PRO** (right):



**Note: PowerPaks** are available in **2s** form for receiver power supplies, and in **3s** form for turbine power supplies.

Do not confuse the two versions! If you accidentally connect a **PowerPak x3** to a receiver, the high voltage will destroy the electronics. To help you differentiate between the versions, the front of the **PowerPak x3** is marked **red**.

## 2. CHARGING

**PowerPak 2.5X2** is available in two versions: **PRO** and **ECO**; the basic difference between the types is the method of charging. The **PRO** version has its own integral charge circuit, matched specifically to the installed cells, whe-

reas the **ECO** version is designed to be charged using an external Lilon / LiPo charger.

Both versions feature integral balance circuits which ensure that individual cells are not overcharged, as even Li-Ion cells are extremely vulnerable to this state. Unbalanced cells can drift apart in condition, leading to loss of capacity; accurate balancing also effectively eliminates this danger.

## 2.1 CHARGING THE PRO VERSION

To charge the **PRO** version you can use either the 110 / 220 V mains PSU or the 12 V car adapter, either of which we can supply separately; both units can be used to charge two **PowerPaks** simultaneously. The batteries are simply plugged in like any conventional mobile phone, after which the charge process is completed fully automatically.

When the charge lead is plugged in, the circuit first checks the battery's state of charge before initiating the charge process. The integral LED - and the external LED, which can be plugged in if you wish - glows red when the battery is on charge, and green when the charge process is complete.

A flashing red LED indicates an error, such as exceeding the maximum permitted charge duration. If this should happen, please disconnect the battery from the charger, then plug it in again. This causes the electronics to recheck the state of the battery, and the charge process will restart if necessary.

Our accessory range also includes charge lead extensions (e.g. Order No. 5460), which can be useful for recharging batteries which are installed in inaccessible locations.

**Note re. Turbine PowerPak 3x PRO:** you may find that the charge process does not conclude in the normal way with this PowerPak when using the 12 V car adapter. The reason for this is that the voltage of the car battery may not be sufficient, depending on its state of charge. In our experience the battery is 95% fully charged at this point, but the LED remains red. Nevertheless the battery can then be used in the normal way.

## 2.2 CHARGING THE ECO VERSION

To charge the **ECO** version you will need a charger intended for Lilon or LiPo batteries. It is essential to set the charger correctly to suit the **PowerPak** you wish to charge.

**CAUTION: It is absolutely essential to set the correct final charge voltage (cut-off voltage)! If you charge these batteries with the cut-off voltage set too high, the result could be a fire!**

**PowerPak x2** batteries are charged at a nominal voltage of 7.4 V, corresponding to a final charge voltage of 8.4 V.

The optimum charge rate for the **ECO** version is 0.5C. If you are using a **PowerPak 2.5** this means a charge current of 1.25 A. This rate of charge guarantees a long useful life for the battery. However, it is permissible to charge at 1C (2.5 A) in exceptional cases.

Connect the **PowerPak** to your battery charger using the charge lead (Order No. 2505) which is available separately. Check that polarity is correct at the charger. The Uni connector on the **PowerPak** can be plugged in either way round, as the positive (+) terminal is always in the centre.

**CAUTION:** Important information regarding **PowerBox** battery backers and other dual power supplies:

- 1) **All** dual power supply units currently available commercially control the charge current on the negative side.
- 2) **All** dual power supply units currently available commercially feature a permanent connection between the negative terminals of the two batteries.

These two facts make it impossible to charge two batteries simultaneously while they are plugged into a dual power supply unit! The following options are available:

- a) Disconnect one of the two batteries from the dual power supply unit for charging
- b) Charge the batteries in turn, i.e. one after the other

If you ignore the points stated above, the short-circuit situation may damage the battery charger! These points do not apply to the **PRO** version if the integral charge circuit is used.

### 3. CELL CARE

The useful life of **PowerPaks** can be extended significantly by handling them correctly; this also enhances the safety of the cells.

The self-discharge circuit built into earlier **PRO** versions is to be discontinued as of Winter 2018; the new version can be identified by a yellow dot on the underside. This feature required a micro-controller whose idle current in many cases caused cells to be deep-discharged if the battery was stored for a long period. The circuit also proved to be incompatible with the charging electronics of turbine generators.

The following applies to the **PRO** and **ECO** versions:

The self-discharge rate of our **PowerPaks** is very low, which means that, after a flying session, it is best to store the model with the batteries part-discharged, and then recharge them before the next outing.

In both versions the useful life of the cells can be extended by discharging the cells using the BattLife Guard to storage voltage (approx. 7.6 to 7.8 V) before any protracted period of storage.

**Note:** A frequently asked question is this: "how can I tell whether the battery is still in good condition?"

With Lithium cells this is very easy to determine: give the pack a full charge, then discharge it to 3.0 V per cell using a suitable Lilon / LiPo battery charger. If the measured capacity is greater than 80% of its nominal capacity, the **PowerPak** is still in usable condition. If the discharged capacity falls below this level, then please refer to Point 5.

### 4. VOLTAGE INDICATOR, PRO VERSION

In addition to the integral charge and the balancers, the **PRO** version features an integral voltage indicator. When the **PowerPak PRO** is in the charged state, the internal and external LEDs are switched off. The red LED lights up as soon as the battery capacity falls to 30%.

## 5. CELL EXCHANGE, SERVICE

If, after a period of a several years, the cells in a PowerPak are exhausted, we offer an economical cell exchange service combined with a check of the electronics. Simply send the **PowerPak** to our Service address (site 11).

**All PowerPaks have passed rigorous testing to gain certification in accordance with UN38.3, and the manufacturing process is monitored by the quality management team. Thanks to this procedure these batteries can legally be shipped by air freight.**

For current and additional information on this subject please visit our support forum: **[www.forum.powerbox-systems.com](http://www.forum.powerbox-systems.com)**

**Note:** For reasons of safety it goes without saying that batteries which have clearly suffered mechanical damage must not be sent back to us. If this applies to you, please contact us to discuss further action.

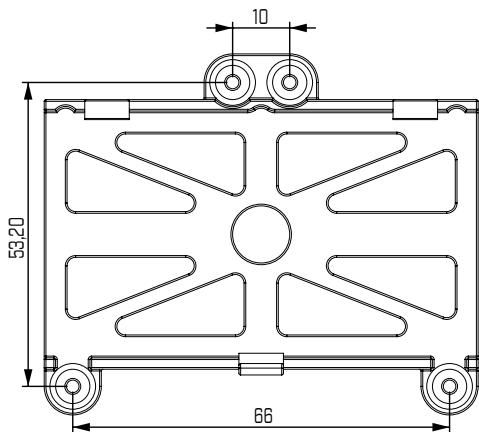
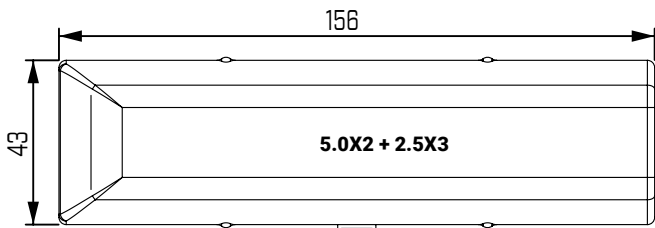
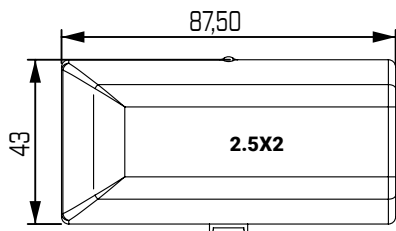
## 6. SPECIFICATION

Battery type	PowerPak 2.5x2	PowerPak 5.0x2	PowerPak 2.5x3
Nominal capacity	2500mAh	5000mAh	2500mAh
Nominal voltage	7,4V	7,4V	11,1V
Charge cut-off voltage	8,4V	8,4V	12,6V
Charge voltage (PRO)	9 - 17V	9 - 17V	13,5 - 17V
Weight	125g	235g	191g
Weight of mounting frame	8g		
Discharge temperature range	0°C to 60°C		
Charge temperature range	0°C to 40°C		



## 7. DIMENSIONS

Height: 26 mm



## 8. SET CONTENTS

- PowerPak
- Mounting frame
- 1 x MPX / JR connecting lead
- 1 x MPX / MPX connecting lead
- 4 x rubber grommets
- 4 x brass tubular spacers
- 4 x screws
- BattLife Guard
- Operating instructions

## 9. SERVICE

We are anxious to offer good service to our customers, and to this end we have set up a Support Forum which deals with all queries concerning our products. This relieves us of a great deal of work, as it eliminates the need to answer frequently asked questions time and again. At the same time it gives you the opportunity to obtain help quickly. All the answers are provided by the **PowerBox** Team, which guarantees that the information is correct. Please use the Support Forum before you telephone us.

You can find the forum at the following address:

**[www.forum.powerbox-systems.com](http://www.forum.powerbox-systems.com)**

## 10. GUARANTEE CONDITIONS

At **PowerBox-Systems** we insist on the highest possible quality standards in the development and manufacture of our products. They are guaranteed "Made in Germany"!

That is why we are able to grant a 36 month guarantee on the electronics of our **PowerPaks**, and a 12 month guarantee on the battery cells, from the initial date of purchase.

The guarantee covers proven material faults, which will be corrected by us at no charge to you. As a precautionary measure, we are obliged to point out that we reserve the right to replace the unit if we deem the repair to be economically unviable. Repairs which our Service department carries out for you do not extend the original guarantee period. The guarantee does not co-

ver damage caused by incorrect usage, e.g. reverse polarity, excessive vibration, excessive voltage, damp, fuel, short-circuits, etc. The same applies to defects due to severe wear. We accept no liability for transit damage or loss of your shipment. If you wish to make a claim under guarantee, please send the device to the following address, together with proof of purchase and a description of the defect:

### **SERVICE ADDRESS**

#### **PowerBox-Systems GmbH**

Ludwig-Auer-Straße 5  
D-86609 Donauwoerth  
Germany

## **11. LIABILITY EXCLUSION**

We are not in a position to ensure that you observe our instructions regarding installation of **PowerPaks**, fulfil the recommended conditions when using the unit, or maintain the entire radio control system competently. For this reason we deny liability for loss, damage or costs which arise due to the use or operation of **PowerPaks**, or which are connected with such use in any way. Regardless of the legal arguments employed, our obligation to pay compensation is limited to the invoice total of our products which were involved in the event, insofar as this is deemed legally permissible.

We wish you every success with your new **PowerPak**.



Donauwoerth, November 2019

## **PowerBox-Systems GmbH**

certified according to DIN EN ISO 9001

Ludwig-Auer-Straße 5  
D-86609 Donauwoerth  
Germany



+49-906-99 99 9-200



+49-906-99 99 9-209

**[www.powerbox-systems.com](http://www.powerbox-systems.com)**