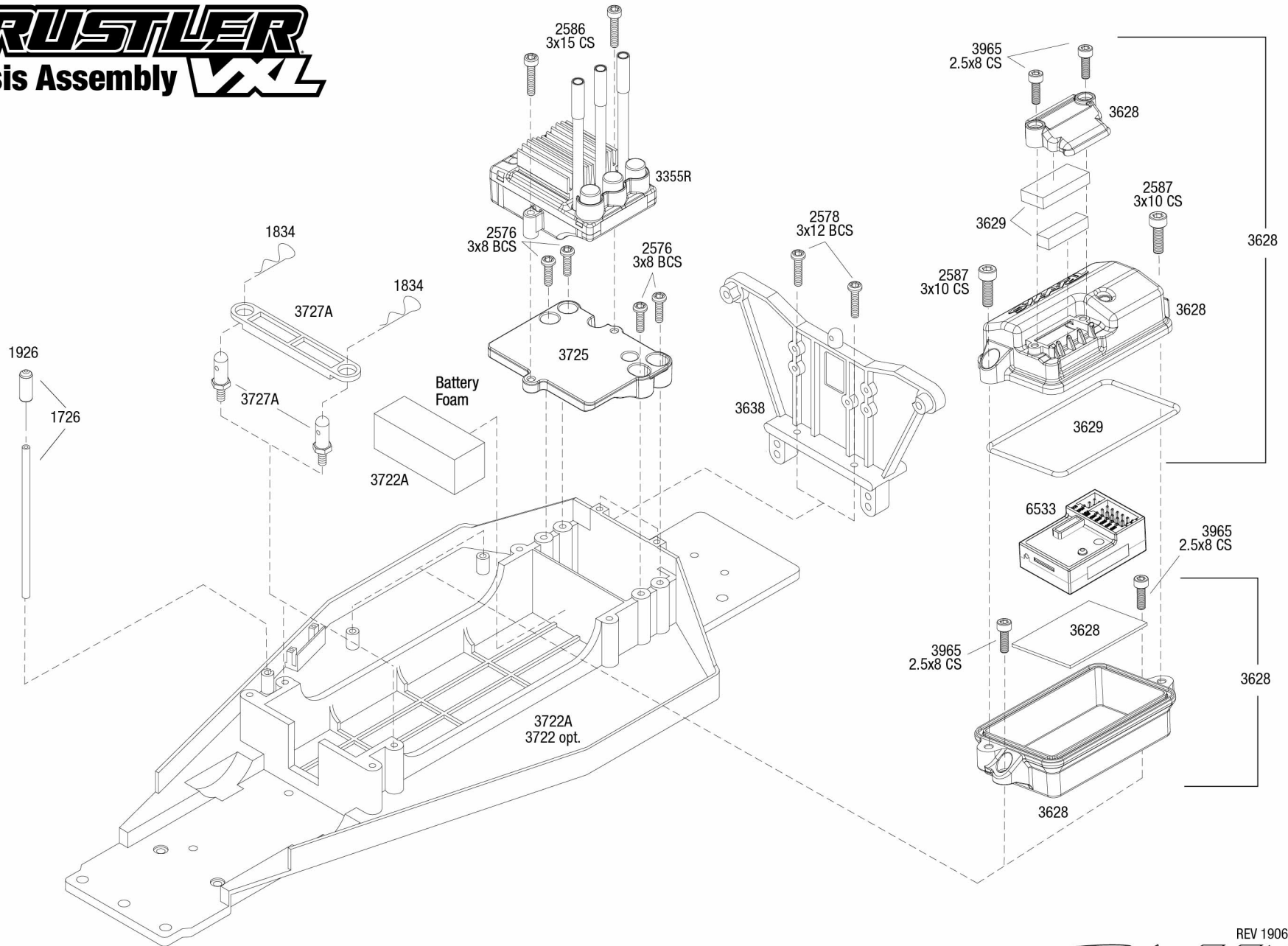


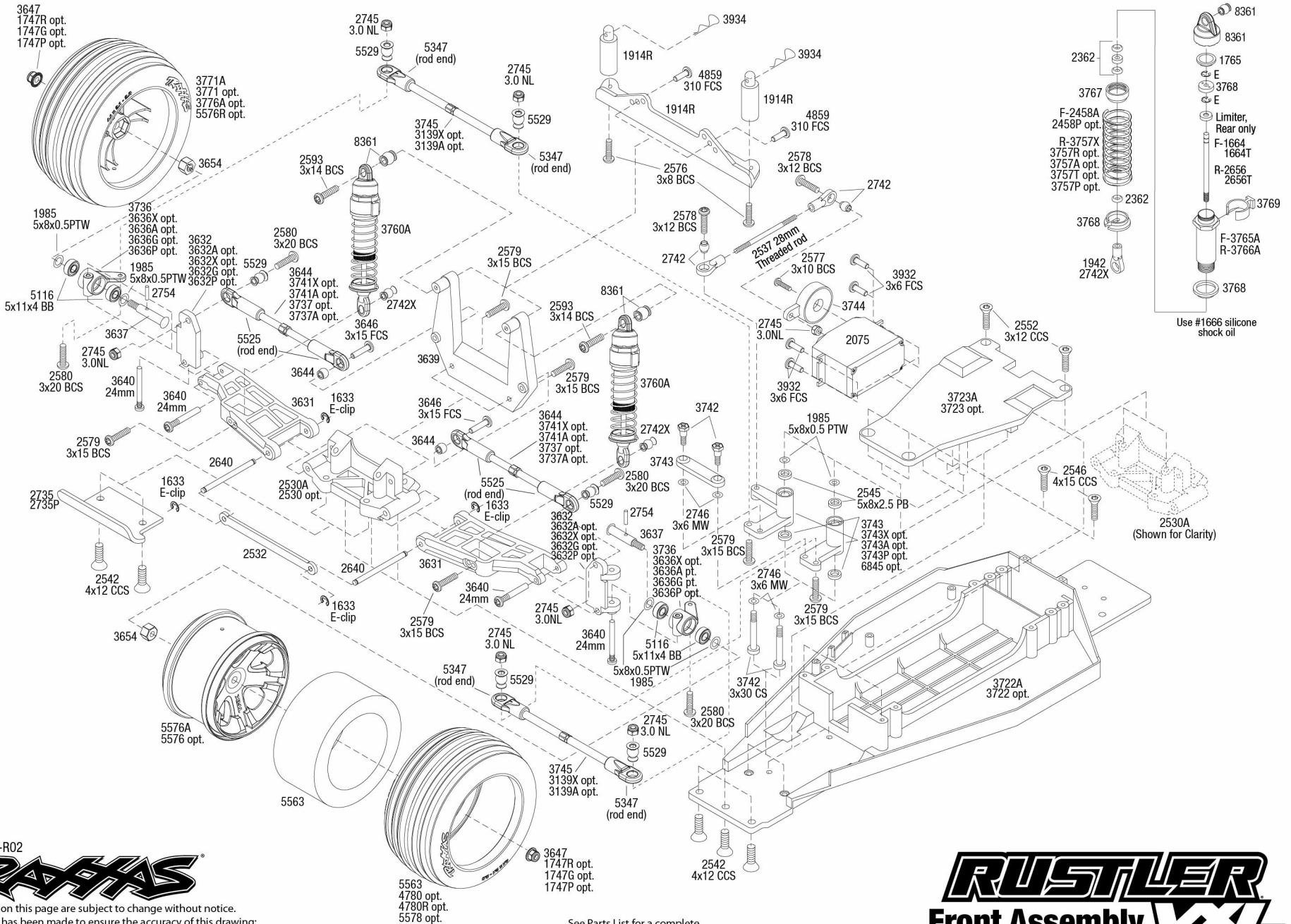
# RUSTLER

## Chassis Assembly **VXL**



Specifications on this page are subject to change without notice. Every attempt has been made to ensure the accuracy of this drawing; however, Traxxas cannot be held responsible for typographical or other errors.

See Parts List for a complete listing of optional accessories.



REV 190606-R02



Specifications on this page are subject to change without notice. Every attempt has been made to ensure the accuracy of this drawing; however, Traxxas cannot be held responsible for typographical or other errors.

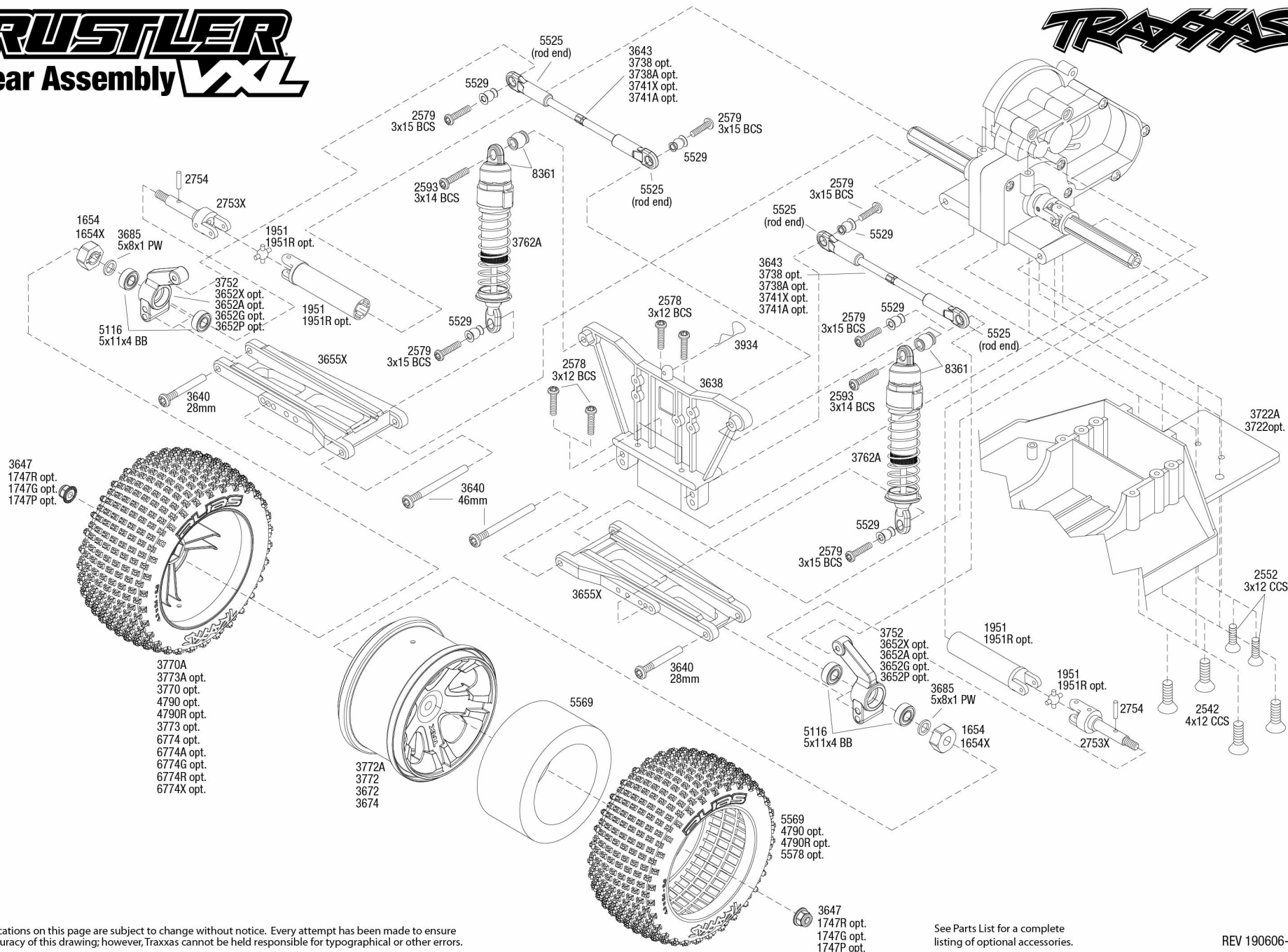
See Parts List for a complete listing of optional accessories.

**RUSTLER**  
**Front Assembly VXL**

# RUSTLER

## Rear Assembly **VXL**

# TRAXXAS

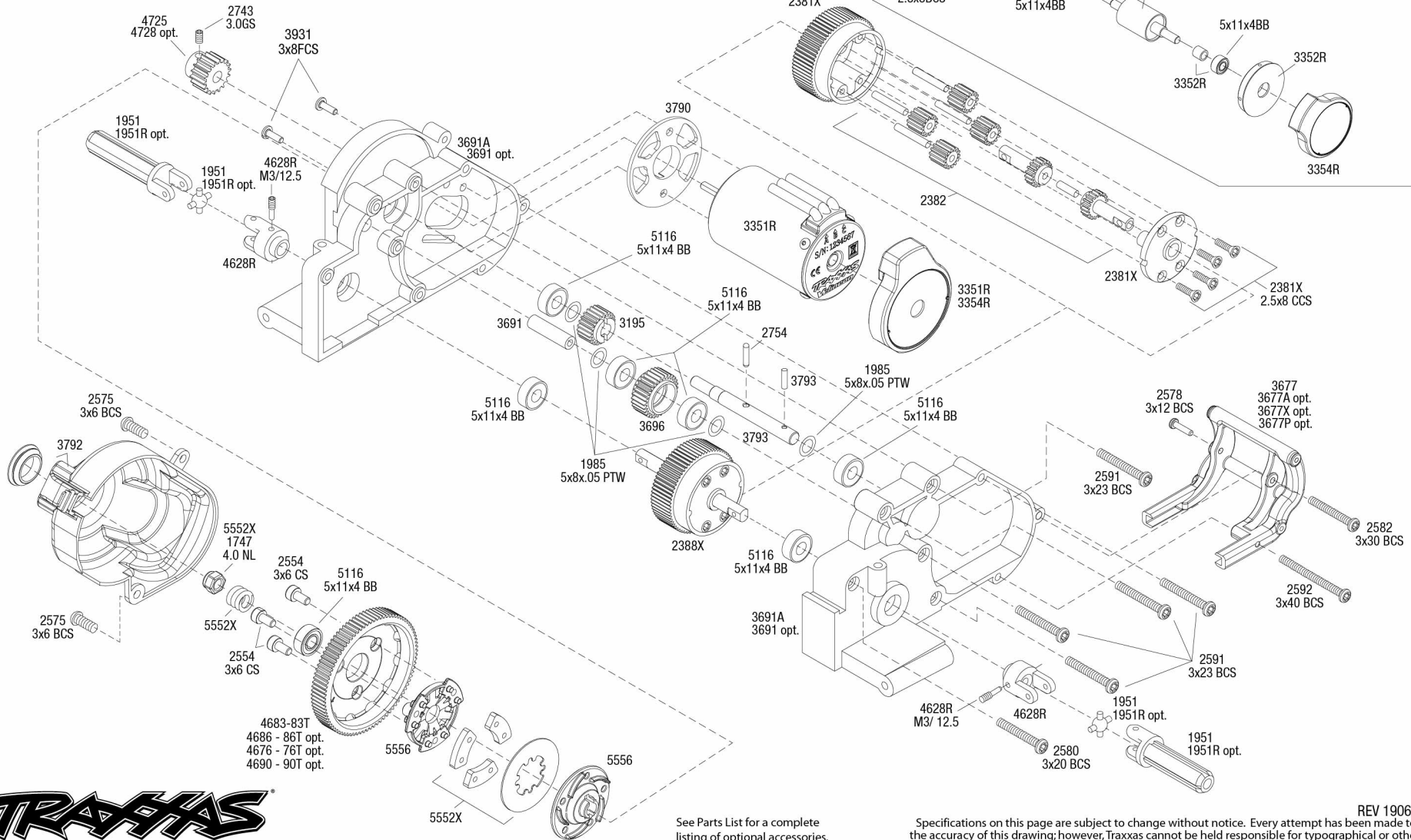


Specifications on this page are subject to change without notice. Every attempt has been made to ensure the accuracy of this drawing; however, Traxxas cannot be held responsible for typographical or other errors.

See Parts List for a complete listing of optional accessories.

REV 190606-R02

# RUSTLER XL Transmission Assembly



### 3351R Motor Assembly

**\* Motor Spacer Note:** To achieve the correct rotor end-play, your motor may have been fitted with a thin spacer on the rotor shaft. The spacer is installed at the factory only if required, so your motor may not have a spacer. If your motor is equipped with a spacer, reinstall it when you reassemble the motor. If your motor is not equipped with a spacer, then it is not required and a spacer should not be installed.



See Parts List for a complete listing of optional accessories.

Specifications on this page are subject to change without notice. Every attempt has been made to ensure the accuracy of this drawing; however, Traxxas cannot be held responsible for typographical or other errors.

REV 190606-R02