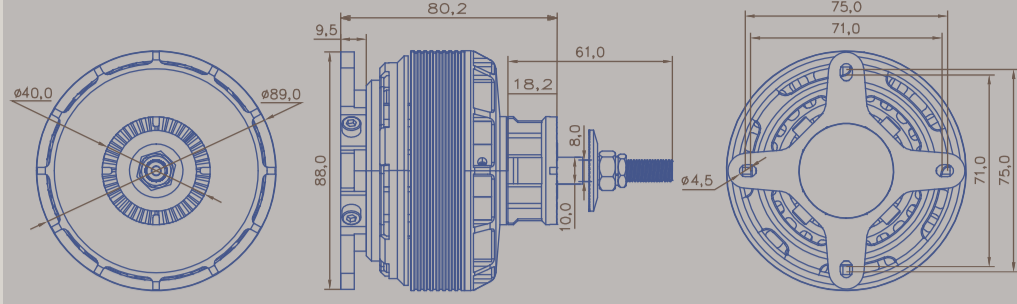


GA4000



Specification

2nd Generation GA Series	GA4000.6	GA4000.7
Item NO. (商品编码)	51552	51553
RPM/V (KV值)	210 RPM/V	180 RPM/V
Weight w/o accessories (不含配件重量)	700g	700g
Outer Diameter (直径)	89mm	89mm
Length w/ mounts (长度(带桨座))	80.2mm	80.2mm
Length(overall)(长度)	123mm	123mm
Diameter of Shaft (轴径)	12mm(internal), 8mm(output)	12mm(internal), 8mm(output)
Mounting holes pitch (安装孔距)	71mm to 75mm	71mm to 75mm
Slots,Poles (槽数, 极数)	24, 28	24, 28
Idle Current(Io) @10V (空载电流)	1.8A	1.3A
Resistance(Ri) (电阻)	18.4mOhm	23 mOhm
Nominal Voltage(V) (额定电压)	37V, 10S Lipo	30-51V, 10-12S Lipo
Peak power[15s] (峰值功率)	4000W(5.5HP)	4300W(5.8HP) @ 8000RPM
Bursts current[15s] (最大电流)	108A	100A
Cruising power[8 mins] (巡航功率)	2000W(2.75HP)	2100 W(2.8 HP)
Recommended ESC (调速器)	130A HV Series	130A HV Series
Propeller (螺旋桨配置)	20x10, 20x12, 22x10	20x10, 20x12, 21x12, 22x10 XOAR 22x10 wooden, 87A@44.4V APC 21x12WE, 13KG, 95A @44.4V
Weight of sports airplane (运动飞机的重量)	Up to 10kg	Up to 10.5kg
Weight of 3D airplane (3D飞机的重量)	Up to 6.5kg	Up to 6.8kg
Applications (应用)	Designed for 35-40cc class 3D airplanes or UAV systems.	Designed for 35-40cc class 3D airplanes or UAV systems.

GA4000.6 (210KV)

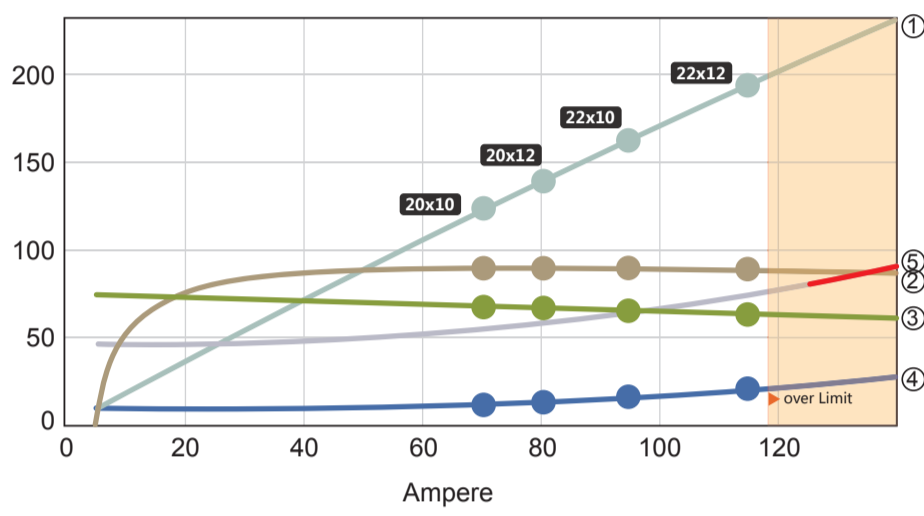
Motor @ Optimum Efficiency

最佳效率

Current(电流):	86.35A
Voltage(电压):	34.64V
Revolutions(转速):	6684rpm
Electric Power(输入功率):	2991.4W
Mech. Power(输出功率):	2696W
Efficiency(效率):	90.1%

- ① el. Power [in 20W]
- ② Efficiency [%]
- ③ max. Revolutions [in 100rpm]
- ④ waste Power [W]
- ⑤ Motor Case Temp. [°C]
- Motor Case Temp. overlimit [°C]

Motor Characteristic at Full Throttle



Voltage (V)	Propeller	Propeller (RPM)	Throttle (%)	Current (DC) (A)	Volage (DC) (V)	el. Power (W)	Efficiency (%)	Thrust (g)	Spec. Thrust (g/W)
37V (10S LIPO)	20x10	1500	20	1	37	36.5	64	484	13.3
		2000	27	2	36.9	74.2	74.7	861	11.6
		2500	34	3.6	36.9	133.9	80.8	1345	10
		3000	41	6	36.8	221.5	84.4	1937	8.7
		3500	48	9.3	36.8	342.7	86.6	2637	7.7
		4000	55	13.8	36.7	503.5	88	3444	6.8
		4500	63	19.5	36.5	709.7	88.9	4359	6.1
		5000	70	26.7	36.3	967.3	89.5	5381	5.6
		5500	78	35.7	36.1	1282.5	89.9	6512	5.1
		6000	86	46.5	35.8	1661.2	90.1	7749	4.7
	6500	94	59.7	35.5	2109.7	90.2	9095	4.3	
	6843	100	70.3	35.2	2465	89.9	10080	4.1	
	20x12	1500	20	1.1	37	41.3	67.9	581	14.1
		2000	27	2.3	36.9	85.6	77.7	1033	12.1
		2500	34	4.2	36.9	156.4	83	1614	10.3
		3000	41	7.1	36.8	260.6	86.1	2325	8.9
		3500	48	11.1	36.7	405.1	88	3164	7.8
		4000	56	16.4	36.6	597.2	89.1	4133	6.9
		4500	63	23.3	36.4	843.9	89.8	5231	6.2
		5000	71	32	36.2	1152.5	90.2	6458	5.6
		5500	79	42.8	35.9	1530.3	90.4	7814	5.1
		6000	87	56	35.6	1984.9	90.4	9299	4.7
	6500	96	72.1	35.2	2523.7	90.4	10914	4.3	
	6737	100	81	35	2819	90.1	11723	4.2	
	22x10	1500	20	1.3	37	47.7	71.7	645	13.5
		2000	27	2.7	36.9	100.8	80.5	1146	11.4
		2500	34	5.1	36.9	186.3	85.1	1791	9.6
		3000	41	8.5	36.8	312.6	87.6	2579	8.2
		3500	49	13.4	36.7	488.3	89	3510	7.2
		4000	56	19.9	36.5	722.2	89.9	4584	6.3
		4500	64	28.3	36.3	1023.2	90.3	5802	5.7
		5000	72	39.1	36	1400.2	90.5	7163	5.1
		5500	80	52.5	35.7	1862.4	90.6	8667	4.7
		6000	89	69	35.3	2419.1	90.5	10314	4.3
	6500	98	89.1	34.8	3079.7	90.4	12105	3.9	
	6606	100	94.3	34.6	3247.2	90.1	12501	3.8	
22X12	1200	16	0.9	37	34	68.8	495	14.6	
	1600	22	1.9	37	70.6	78.5	880	12.5	
	2000	27	3.5	36.9	129.2	83.7	1375	10.6	
	2400	33	5.9	36.9	215.5	86.7	1980	9.2	
	2800	39	9.2	36.8	335.5	88.5	2695	8	
	3200	45	13.6	36.7	495	89.5	3521	7.1	
	3600	51	19.3	36.5	700.2	90.1	4456	6.4	
	4000	57	26.5	36.3	957.2	90.4	5501	5.7	
	4400	63	35.4	36.1	1272.2	90.5	6656	5.2	
	4800	70	46.4	35.8	1651.7	90.5	7921	4.8	
5200	77	59.6	35.5	2101.9	90.5	9297	4.4		
5600	84	75.4	35.1	2629.6	90.3	10782	4.1		
6000	92	94.3	34.6	3241.4	90.1	12377	3.8		
6386	100	116.5	34.1	3940.9	89.5	14023	3.6		

GA4000.7 (180KV)

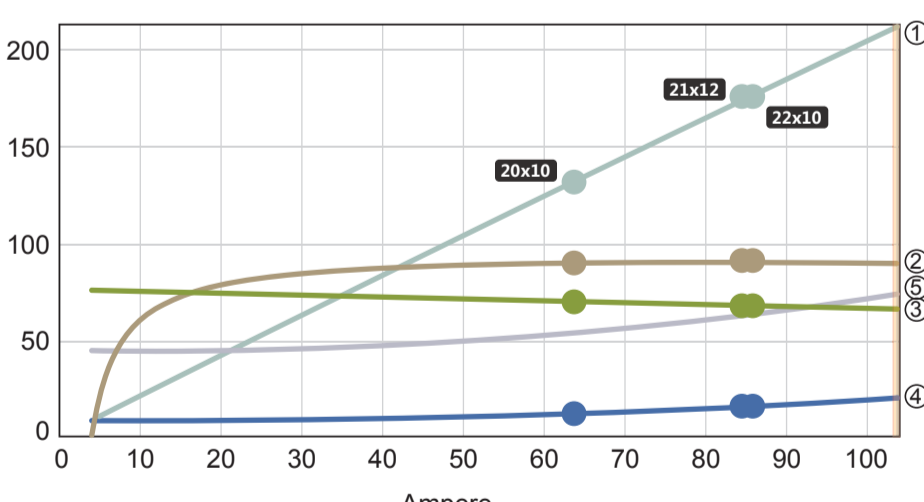
Motor @ Optimum Efficiency

最佳效率

Current(电流):	75.89A
Voltage(电压):	41.95V
Revolutions(转速):	6974rpm
Electric Power(输入功率):	3183.3W
Mech. Power(输出功率):	2897.3W
Efficiency(效率):	91%

- ① el. Power [in 20W]
- ② Efficiency [%]
- ③ max. Revolutions [in 100rpm]
- ④ waste Power [W]
- ⑤ Motor Case Temp. [°C]

Motor Characteristic at Full Throttle



Voltage (V)	Propeller	Propeller (RPM)	Throttle (%)	Current (DC) (A)	Volage (DC) (V)	el. Power (W)	Efficiency (%)	Thrust (g)	Spec. Thrust (g/W)
44.4V (12S LIPO)	20x10	1500	20	0.8	44.4	34.7	67.3	484	13.9
		2000	26	1.6	44.4	71.7	77.3	861	12
		2500	33	3	44.3	130.5	82.9	1345	10.3
		3000	40	4.9	44.3	217.1	86.2	1937	8.9
		3500	46	7.6	44.2	337	88.1	2637	7.8
		4000	53	11.3	44.1	496.2	89.3	3444	6.9
		4500	60	16	43.9	700.4	90.1	4359	6.2
		5000	68	21.9	43.7	955.6	90.6	5381	5.6
		5500	75	29.2	43.5	1267.7	90.9	6512	5.1
		6000	83	38.1	43.3	1642.9	91.1	7749	4.7
	6500	90	48.8	42.9	2087.1	91.1	9095	4.4	
	7000	98	61.5	42.6	2606.5	91.1	10548	4	
	7094	100	64.2	42.5	2717.3	90.9	10831	4	
	21x12	1500	20	1	44.4	45.8	74.5	673	14.7
		2000	26	2.2	44.3	97.9	82.6	1196	12.2
		2500	33	4.1	44.3	182.1	86.7	1869	10.3
		3000	40	7	44.2	306.7	88.9	2691	8.8
		3500	47	10.9	44.1	480.2	90.2	3663	7.6
		4000	54	16.2	43.9	711.1	90.9	4784	6.7
		4500	61	23.1	43.7	1008.3	91.3	6055	6
		5000	69	31.9	43.4	1380.6	91.5	7476	5.4
		5500	77	42.8	43.1	1837	91.5	9046	4.9
		6000	85	56.1	42.7	2386.4	91.4	10765	4.5
	6500	93	72.3	42.2	3038.3	91.3	12634	4.2	
	6855	100	86.5	41.8	3598.1	90.9	14092	3.9	
	22x10	1500	20	1	44.4	45.9	74.6	645	14
		2000	26	2.2	44.3	98.2	82.6	1146	11.7
		2500	33	4.1	44.3	182.7	86.7	1791	9.8
		3000	40	7	44.2	307.8	89	2579	8.4
		3500	47	11	44.1	481.9	90.2	3510	7.3
		4000	54	16.3	43.9	713.7	90.9	4584	6.4
		4500	61	23.2	43.7	1012.1	91.3	5802	5.7
		5000	69	32	43.4	1385.8	91.5	7163	5.2
		5500	77	42.9	43.1	1843.9	91.5	8667	4.7
		6000	85	56.3	42.7	2395.5	91.4	10314	4.3
	6500	93	72.6	42.2	3049.9	91.3	12105	4	
6862	100	86.7	41.8	3607.8	90.9	13492	3.7		