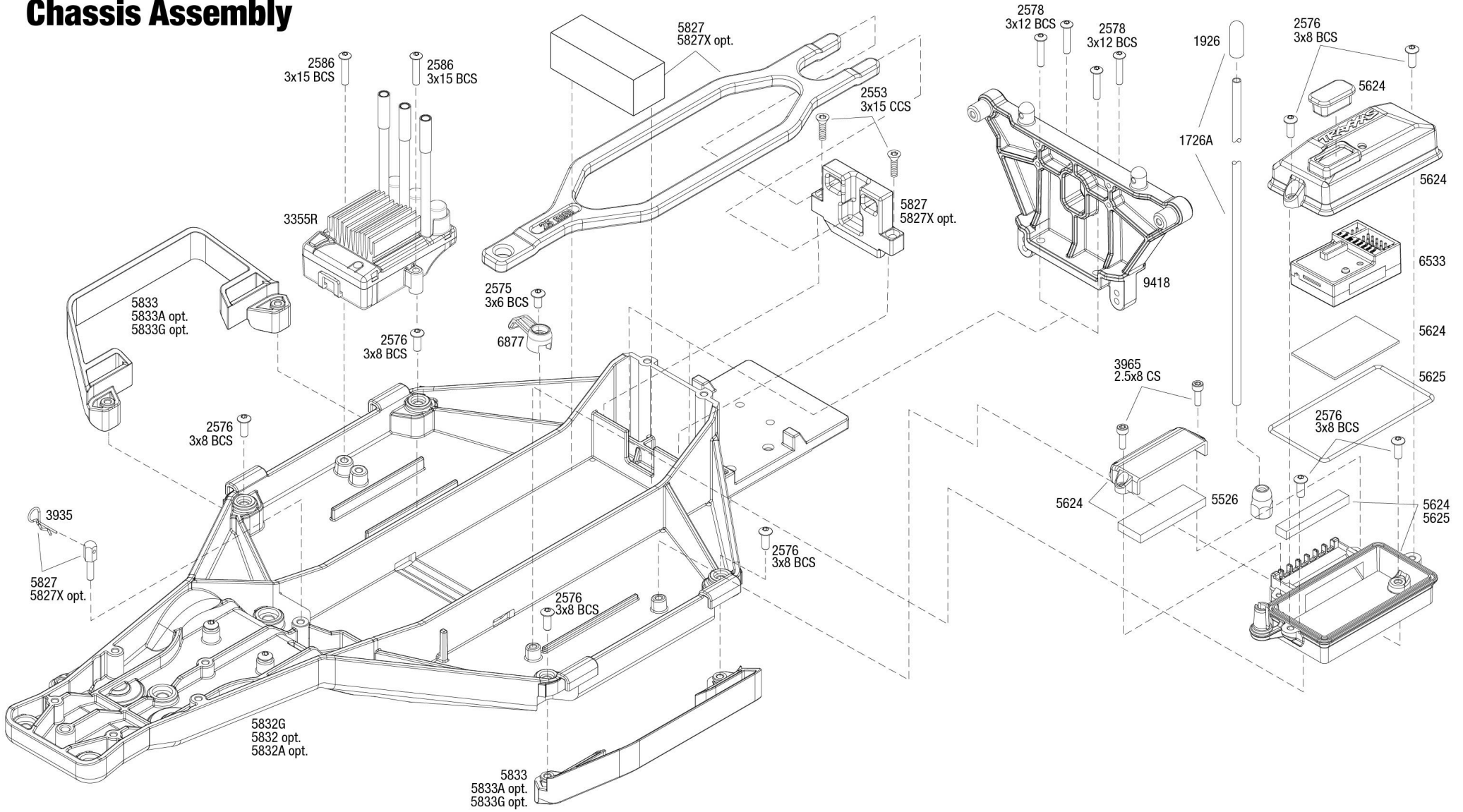


DRAG SLASH™

Chassis Assembly



REV 240412-R02

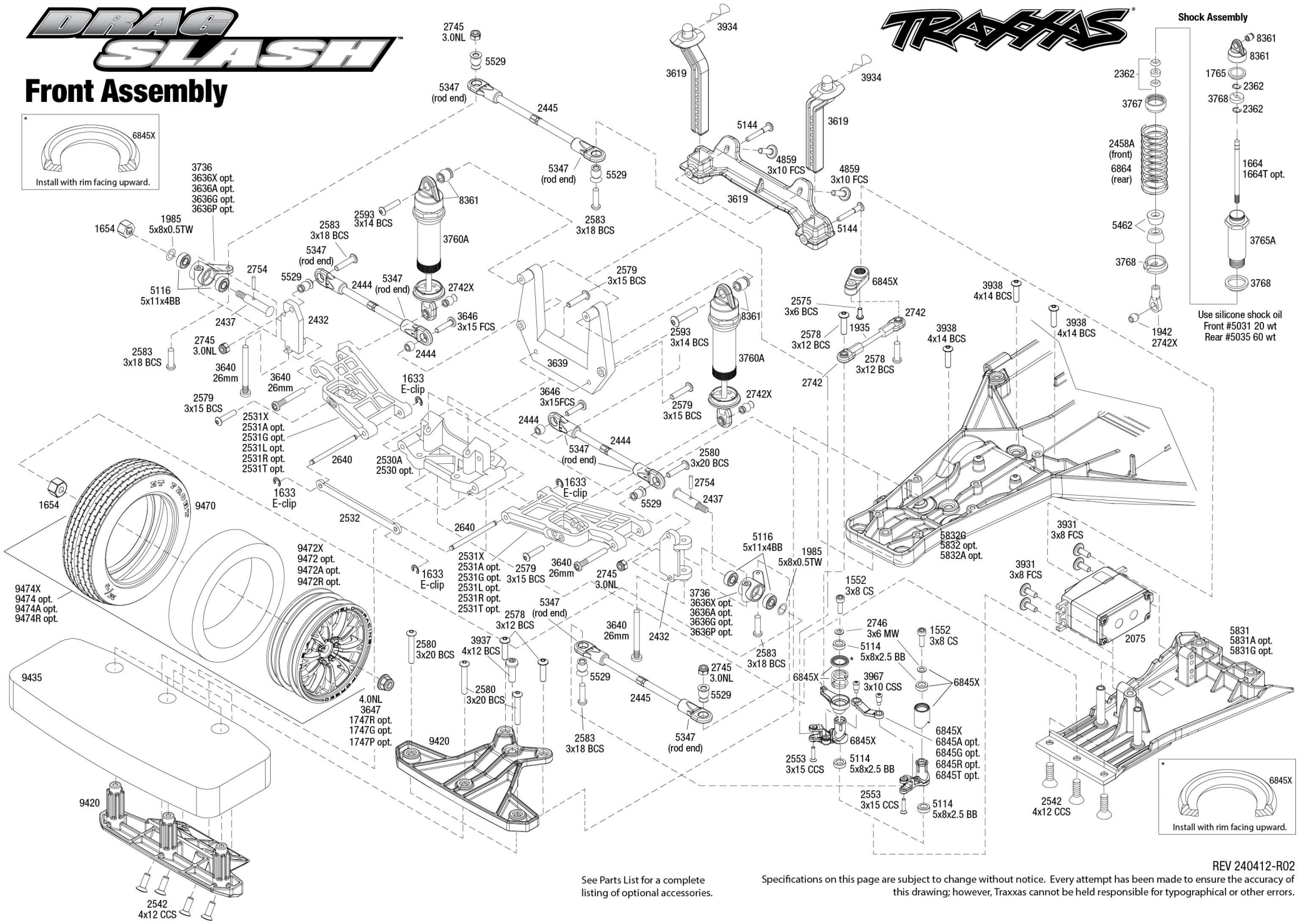
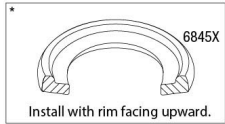
See Parts List for a complete listing of optional accessories.

Specifications on this page are subject to change without notice. Every attempt has been made to ensure the accuracy of this drawing; however, Traxxas cannot be held responsible for typographical or other errors.

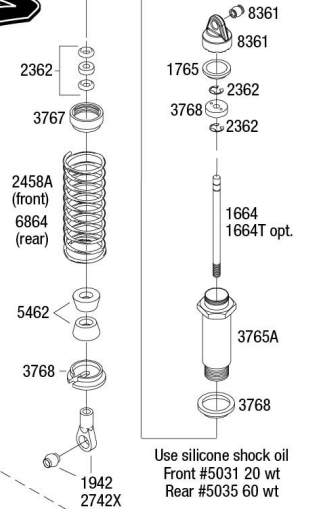
TRAXXAS®

DRAG SLASH

Front Assembly



Shock Assembly



Use silicone shock oil
Front #5031 20 wt
Rear #5035 60 wt



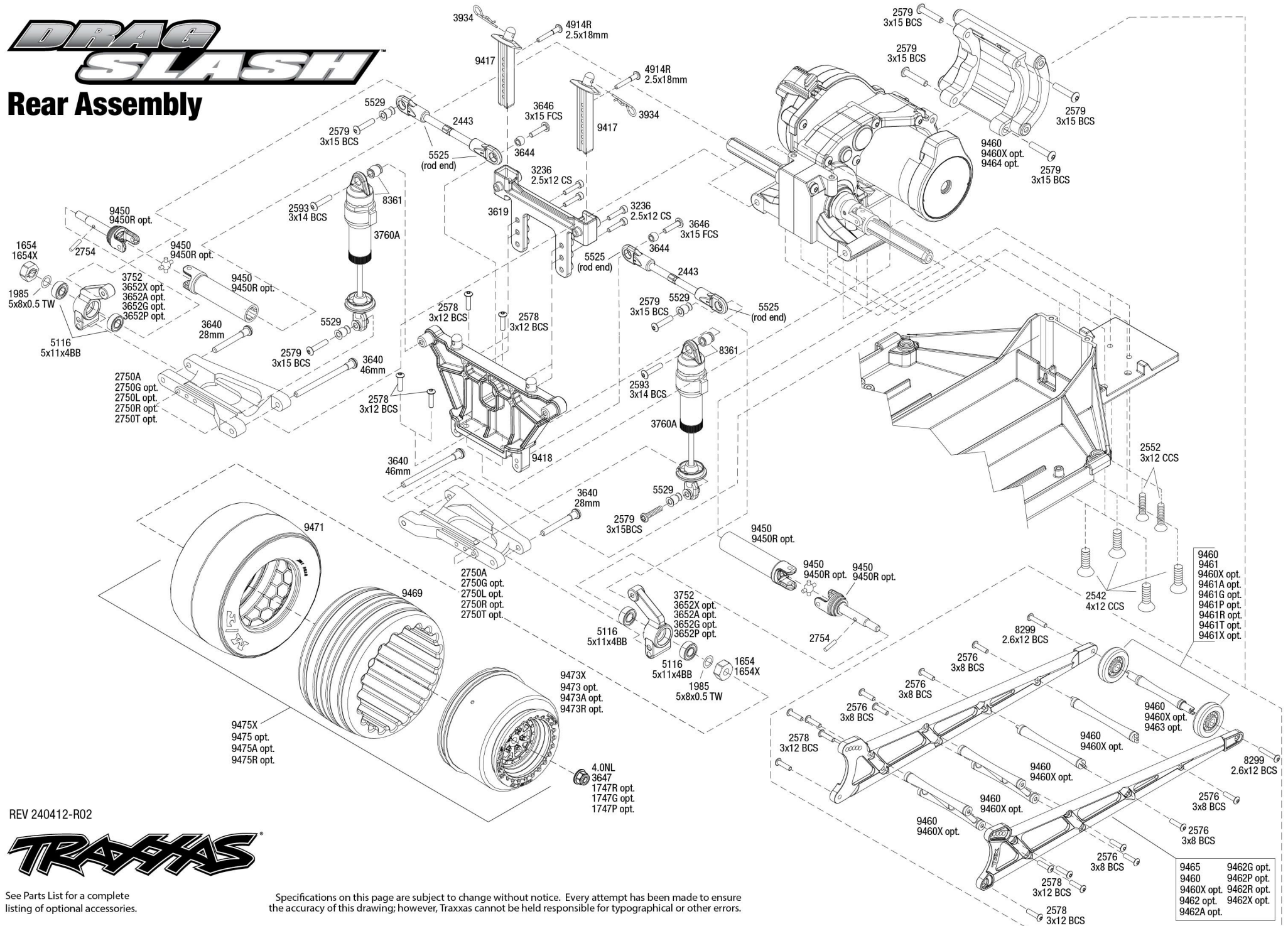
See Parts List for a complete listing of optional accessories.

Specifications on this page are subject to change without notice. Every attempt has been made to ensure the accuracy of this drawing; however, Traxxas cannot be held responsible for typographical or other errors.

REV 240412-R02

DRAG SLASH

Rear Assembly



REV 240412-R02



See Parts List for a complete listing of optional accessories.

Specifications on this page are subject to change without notice. Every attempt has been made to ensure the accuracy of this drawing; however, Traxxas cannot be held responsible for typographical or other errors.

