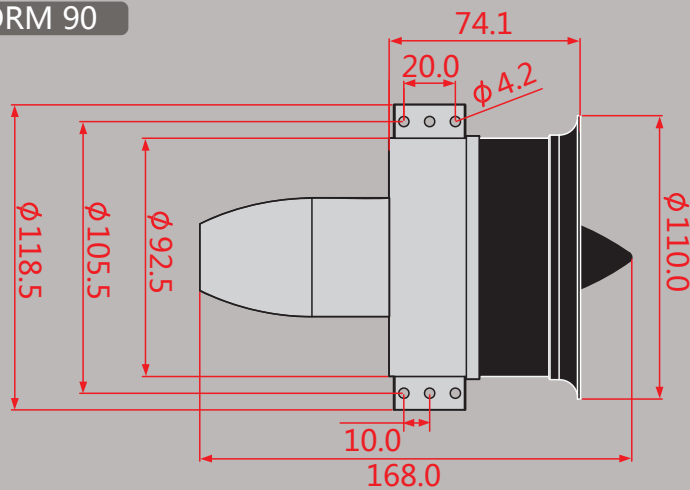


Dimensions

mSTORM 90



Specification

mSTORM Specifications	mSTORM 90
Item NO. (商品编码)	51411
Outer Diameter (直径)	110mm
Length (长度)	168mm
Weight /w wires (重量)	457g
Mounting pitch (安装间距)	105.5mm
FAN Diameter (风扇直径)	90mm
Number of blade (桨叶数)	12
CNC metal blade (全金属扇叶)	YES
Dynamic balanced (动平衡)	Y
Motor KV (马达KV值)	1660 RPM/V
Maximum RPM (最大转速)	40,000 RPM
Resistance(Ri) (电阻)	9.3 mOhm
Idle current(Io) @10V (空载电流)	4.4A
Nominal voltage (额定电压)	22.2V, 6S Lipo
Peak power[15s] (峰值功率)	3200W
Bursts current[15s] (最大电流)	130A
Recommended ESC (推荐调速器)	XC13036HV, 130 amps
Recommended battery (推荐电池)	ULTRA 70C, 6S, 5000mAh
Maximum thrust on bench (最大推力)	34N @ 22.2V 38N @ 24V
Applications (描述)	AUW 2.5-5kg EDF JET model