

 **axial**[®]
www.axialracing.com

AXI03003 T1/T2

1/10th SCALE READY-TO-RUN

SCX-10™ III JEEP® JLU WRANGLER



INSTRUCTION MANUAL
BEDIENUNGSANLEITUNG
MANUEL D'UTILISATION
MANUALE DI ISTRUZIONI

HORIZON[®]
H O B B Y

NOTICE

All instructions, warranties and other collateral documents are subject to change at the sole discretion of Horizon Hobby, LLC. For up-to-date product literature, visit horizonhobby.com or towerhobbies.com and click on the support or resources tab for this product.


MEANING OF SPECIAL LANGUAGE

The following terms are used throughout the product literature to indicate various levels of potential harm when operating this product:

WARNING: Procedures, which if not properly followed, create the probability of property damage, collateral damage, and serious injury OR create a high probability of superficial injury.

CAUTION: Procedures, which if not properly followed, create the probability of physical property damage AND a possibility of serious injury.

NOTICE: Procedures, which if not properly followed, create a possibility of physical property damage AND a little or no possibility of injury.

 **WARNING:** Read the ENTIRE instruction manual to become familiar with the features of the product before operating. Failure to operate the product correctly can result in damage to the product, personal property and cause serious injury.

This is a sophisticated hobby product. It must be operated with caution and common sense and requires some basic mechanical ability. Failure to operate this Product in a safe and responsible manner could result in injury or damage to the product or other property. This product is not intended for use by children without direct adult supervision. Do not use with incompatible components or alter this product in any way outside of the instructions provided by Horizon Hobby, LLC. This manual contains instructions for safety, operation and maintenance. It is essential to read and follow all the instructions and warnings in the manual, prior to assembly, setup or use, in order to operate correctly and avoid damage or serious injury.

Age Recommendation: Not for children under 14 years. This is not a toy.

SAFETY PRECAUTIONS AND WARNINGS

As the user of this product, you are solely responsible for operating in a manner that does not endanger yourself and others or result in damage to the product or property of others.

This model is controlled by a radio signal subject to interference from many sources outside your control. This interference can cause momentary loss of control, so it is advisable to always keep a safe distance in all directions around your model as this margin will help avoid collisions or injury.

- Never operate your model with low transmitter batteries.
- Always operate your model in open spaces away from full-size vehicles, traffic and people.
- Never operate the model in the street or in populated areas for any reason.
- Carefully follow the directions and warnings for this and any optional support equipment (chargers, rechargeable battery packs, etc.) you use.
- Keep all chemicals, small parts and anything electrical out of the reach of children.
- Never lick or place any portion of the model in your mouth as it could cause serious injury or even death.
- Exercise caution when using tools and sharp instruments.
- Take care during maintenance as some parts may have sharp edges.
- Immediately after using your model, do NOT touch equipment such as the motor, electronic speed control and battery, because they generate high temperatures. You may burn yourself seriously touching them.
- Do not put fingers or any objects inside rotating and moving parts, as this may cause damage or serious injury.
- Always turn on your transmitter before you turn on the receiver in the car. Always turn off the receiver before turning your transmitter off.
- Keep the wheels of the model off the ground when checking the operation of the radio equipment.


 **WARNING AGAINST COUNTERFEIT PRODUCTS:** Always purchase from a Horizon Hobby, LLC authorized dealer to ensure authentic high-quality Spektrum product. Horizon Hobby, LLC disclaims all support and warranty with regards, but not limited to, compatibility and performance of counterfeit products or products claiming compatibility with DSM® or Spektrum technology.

TABLE OF CONTENTS


Water-Resistant Vehicle with Waterproof Electronics	3	Vehicle Maintenance	9
Box Contents.....	4	Spektrum Receiver/ESC Combo	10
Required Equipment	4	Gear Ratios.....	10
Recommended Tools	4	Troubleshooting.....	11
Getting Started Checklist.....	5	Limited Warranty.....	12
Vehicle Parts.....	5	Warranty and Service Contact Information	12
Charge the Vehicle Battery	6	FCC Information.....	13
Install the Transmitter Batteries.....	6	IC Information.....	13
Transmitter Functions.....	6	Compliance Information for the European Union.....	13
Adjusting the Vehicle Battery Tray.....	7	Exploded Views.....	50
Install the Vehicle Battery	7	Parts List.....	57
Binding.....	8	Optional Parts.....	60
Range-Checking the Radio System	8	Electronics	60
Using the Dig Transmission.....	8		

WATER-RESISTANT VEHICLE WITH WATERPROOF ELECTRONICS

Your new Horizon Hobby vehicle has been designed and built with a combination of waterproof and water-resistant components to allow you to operate the product in many “wet conditions,” including puddles, creeks, wet grass, snow and even rain.

While the entire vehicle is highly water-resistant, it is not completely waterproof and your vehicle should NOT be treated like a submarine. The various electronic components used in the vehicle, such as the Electronic Speed Control (ESC), servo(s) and receiver are waterproof, however, most of the mechanical components are water-resistant and should not be submerged.

Metal parts, including the bearings, hinge pins, screws and nuts, as well as the contacts in the electrical cables, will be susceptible to corrosion if additional maintenance is not performed after running in wet conditions. To maximize the long-term performance of your vehicle and to keep the warranty intact, the procedures described in the “Wet Conditions Maintenance” section below must be performed regularly if you choose to run in wet conditions. If you are not willing to perform the additional care and maintenance required, then you should not operate the vehicle in those conditions.

 **CAUTION:** Failure to exercise caution while using this product and complying with the following precautions could result in product malfunction and/or void the warranty.


GENERAL PRECAUTIONS

- Read through the wet conditions maintenance procedures and make sure that you have all the tools you will need to properly maintain your vehicle.
- Not all batteries can be used in wet conditions. Consult the battery manufacturer before use. Caution should be taken when using Li-Po batteries in wet conditions.
- Most transmitters are not water-resistant. Consult your transmitter’s manual or the manufacturer before operation.
- Never operate your transmitter or vehicle where lightning may be present.
- Do not operate your vehicle where it could come in contact with salt water (ocean water or water on salt-covered roads), contaminated or polluted water. Salt water is very conductive and highly corrosive, so use caution.

- Even minimal water contact can reduce the life of your motor if it has not been certified as water-resistant or waterproof. If the motor becomes excessively wet, apply very light throttle until the water is mostly removed from the motor. Running a wet motor at high speeds may rapidly damage the motor.
- Driving in wet conditions can reduce the life of the motor. The additional resistance of operating in water causes excess strain. Alter the gear ratio by using a smaller pinion or larger spur gear. This will increase torque (and motor life) when running in mud, deeper puddles, or any wet conditions that will increase the load on the motor for an extended period of time.

WET CONDITIONS MAINTENANCE

- Drain any water that has collected in the tires by spinning them at high speed. With the body removed, place the vehicle upside down and pull full throttle for a few short bursts until the water has been removed.

 **CAUTION:** Always keep hands, fingers, tools and any loose or hanging objects away from rotating parts when performing the above drying technique.

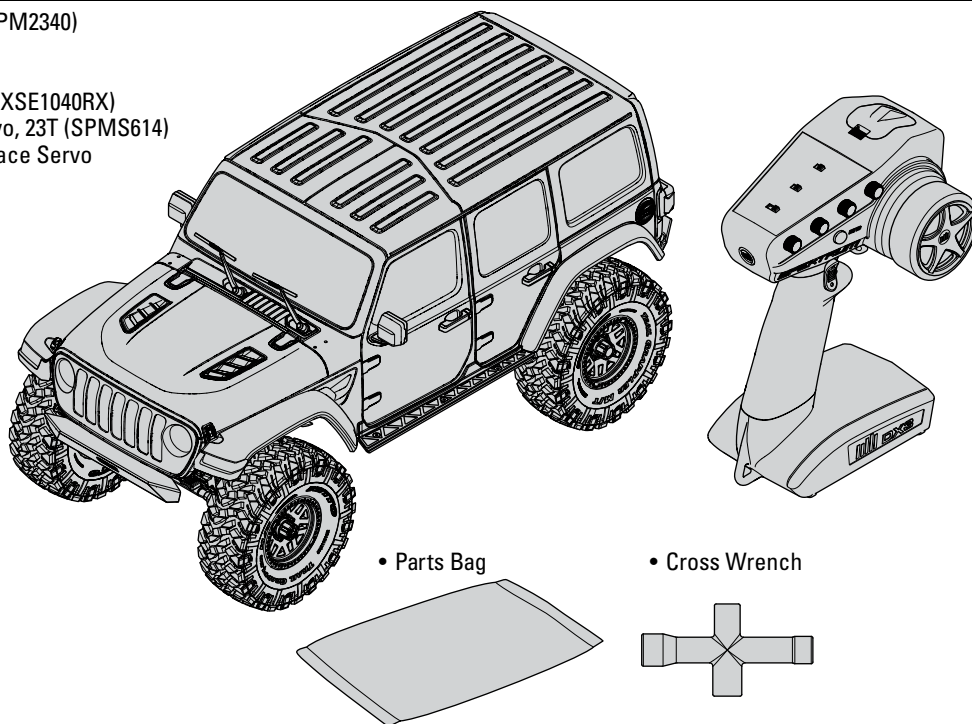
- Remove the battery pack(s) and dry the contacts. If you have an air compressor or a can of compressed air, blow out any water that may be inside the recessed connector housing.
- Remove the tires/wheels from the vehicle and gently rinse the mud and dirt off with a garden hose. Avoid rinsing the bearings and transmission.

NOTICE: Never use a pressure washer to clean your vehicle.

- Use an air compressor or a can of compressed air to dry the vehicle and help remove any water that may have gotten into small crevices or corners.
- Spray the bearings, drive train, fasteners and other metal parts with a water-displacing light oil. Do not spray the motor.
- Let the vehicle air dry before you store it. Water (and oil) may continue to drip for a few hours.
- Increase the frequency of disassembly, inspection and lubrication of the following:
 - Front and rear axle hub assembly bearings.
 - All transmission cases, gears and differentials.
 - Motor—clean with an aerosol motor cleaner and re-oil the bushings with lightweight motor oil.

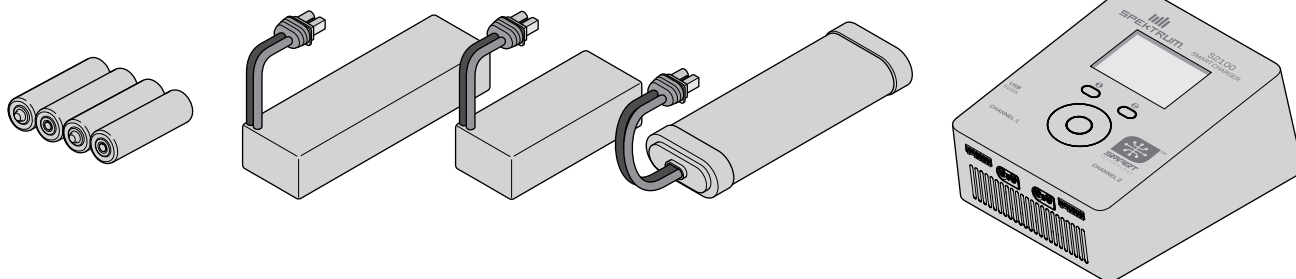
BOX CONTENTS

- Spektrum™ DX3™ 2.4GHz Transmitter (SPM2340)
- SCX10™ III Jeep Wrangler RTR
 - 35T Electric Motor (AX31312)
 - Spektrum Receiver/ESC Combo (SPMXSE1040RX)
 - Water Proof Metal Gear Surface Servo, 23T (SPMS614)
 - SX107 Micro Analog Metal Gear Surface Servo (For dig function) (SPMSSX107)

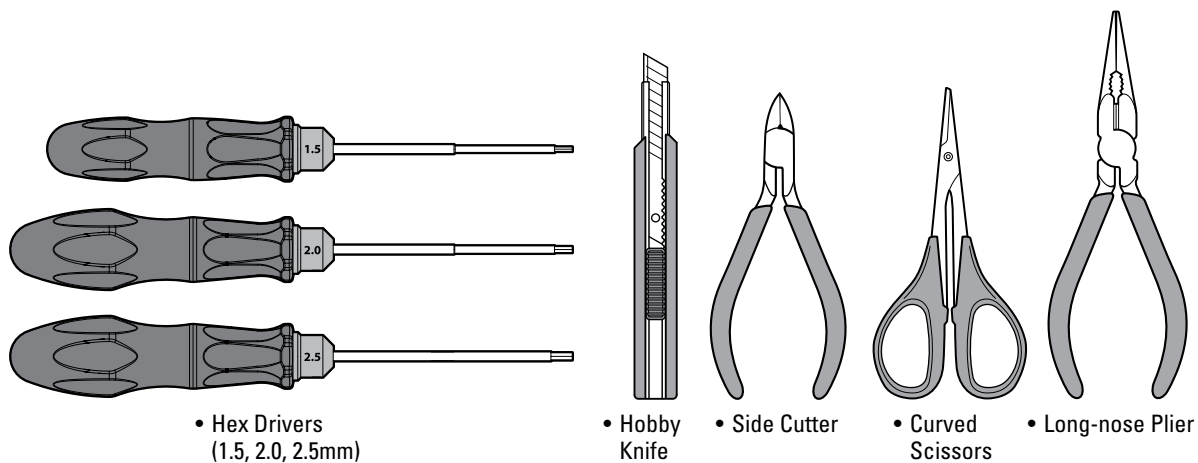


REQUIRED EQUIPMENT

- (4) AA Alkaline batteries
- 2-3S Standard or "Shorty" LiPo Battery
- OR
- 5-9 Cell NiMH/NiCd battery (IC3™ Connector Required)
- Battery charger compatible with the chosen vehicle battery type



RECOMMENDED TOOLS

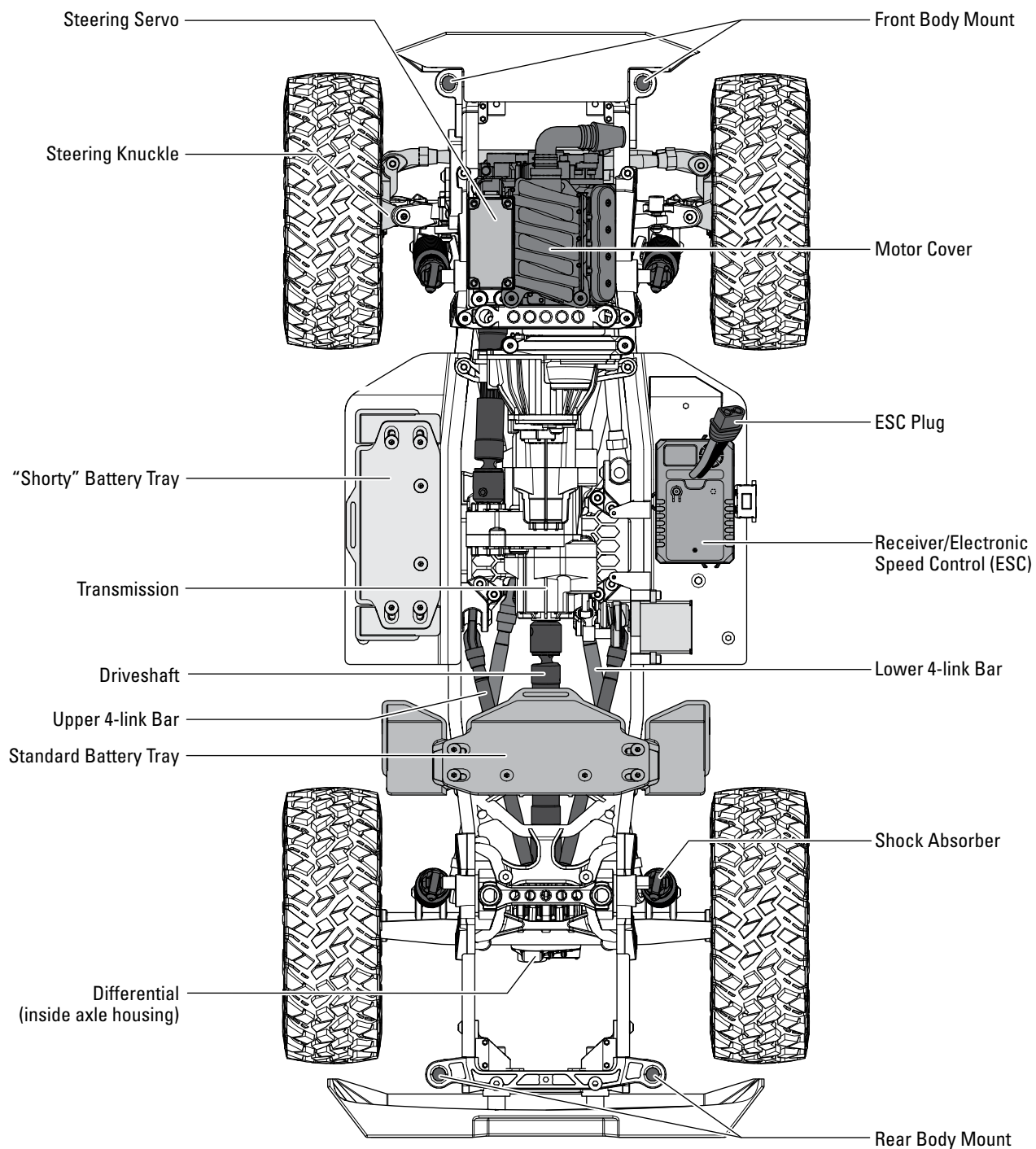


GETTING STARTED CHECKLIST

Read the manual
Familiarize yourself with the vehicle and its components
Check all screws, especially the driveshaft setscrews, for tightness from the factory
Charge the vehicle battery
Install 4 AA batteries in the transmitter

Power on the transmitter
Install the vehicle battery in the vehicle
Check for proper function of the throttle and steering
Range check the radio system
Drive the vehicle, challenge yourself and have FUN!
Perform any necessary vehicle maintenance

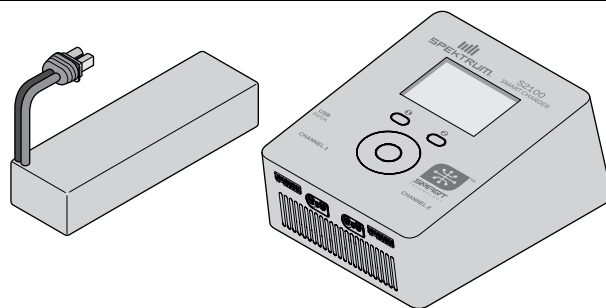
VEHICLE PARTS



CHARGE THE VEHICLE BATTERY

Follow the manufacturer's directions for your charger to properly charge the vehicle battery.

CAUTION: Only use chargers designed to charge the chosen battery type. Using an incorrect charger or incorrect charger settings could cause the battery to catch fire or explode.



INSTALL THE TRANSMITTER BATTERIES

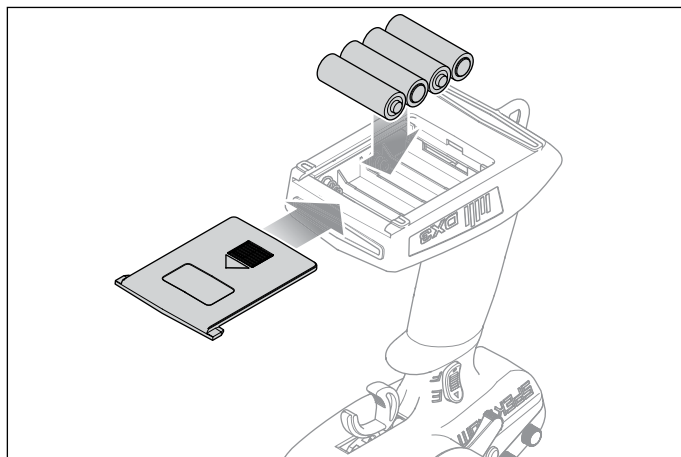
This transmitter requires 4 AA batteries.

1. Remove the battery cover from the transmitter.
2. Install the batteries as shown.
3. Install the battery cover.

CAUTION: NEVER remove the transmitter batteries while the model is powered on. Loss of model control, damage, or injury may occur.

CAUTION: If using rechargeable batteries, charge only rechargeable batteries. Charging non-rechargeable batteries may cause the batteries to burst, resulting in injury to persons and/or damage to property.

CAUTION: Risk of explosion if battery is replaced by an incorrect type. Dispose of used batteries according to national regulations.



TRANSMITTER FUNCTIONS

A/B. Channel 3 Button (Dig Function)

C. Throttle/Brake

D. Steering Wheel

E. Steering Rate

Adjusts the end point of the steering

F. Brake Rate

Adjusts the braking end point.

G. Steering Trim

Adjusts the steering center point. Normally, the steering trim is adjusted until the vehicle tracks straight.

H. Throttle Trim

Adjusts the throttle neutral point

I. SMART Battery Level Indicator

J. Servo Reversing

To reverse the Throttle (TH) or Steering (ST) channel, switch the position of the correlating switch—"N" is for normal, "R" is for reverse.

K. Throttle Limit

Limits throttle output to 50/75/100%

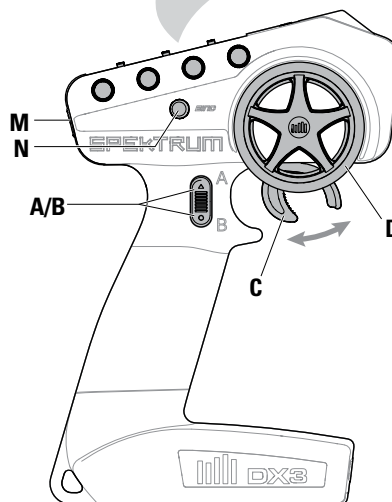
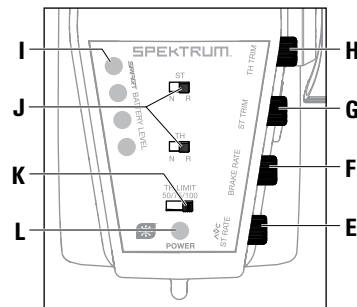
Select 50% or 75% for less experienced drivers or when you are driving the vehicle in a small area.

L. Power LED

- **Solid red lights:** Indicates radio connectivity and adequate battery power
- **Flashing red lights:** Indicates the battery voltage is critically low. Replace batteries

M. Power Button

N. Bind Button

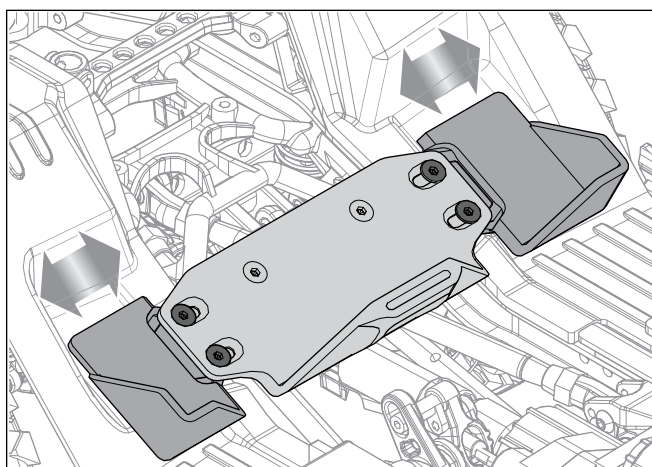


ADJUSTING THE VEHICLE BATTERY TRAY

The battery trays may be adjusted to fit a wide range of battery sizes. The rear battery tray is shown in the illustration. The side battery tray is adjustable in the same manner.

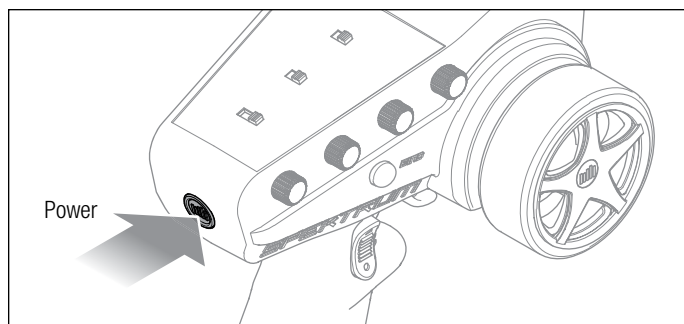
To adjust the battery tray:

1. Loosen the four flathead screws shown in the illustration.
2. Slide the ends of the battery tray in or out to fit the desired battery.
3. Tighten the four flathead screws. Do not over-tighten the screws.

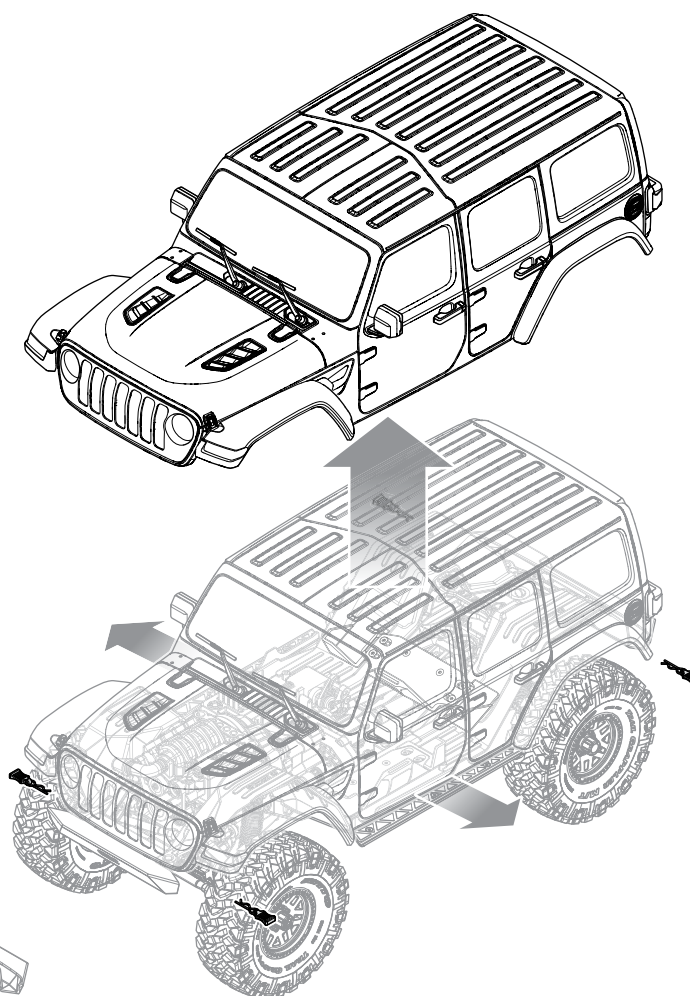
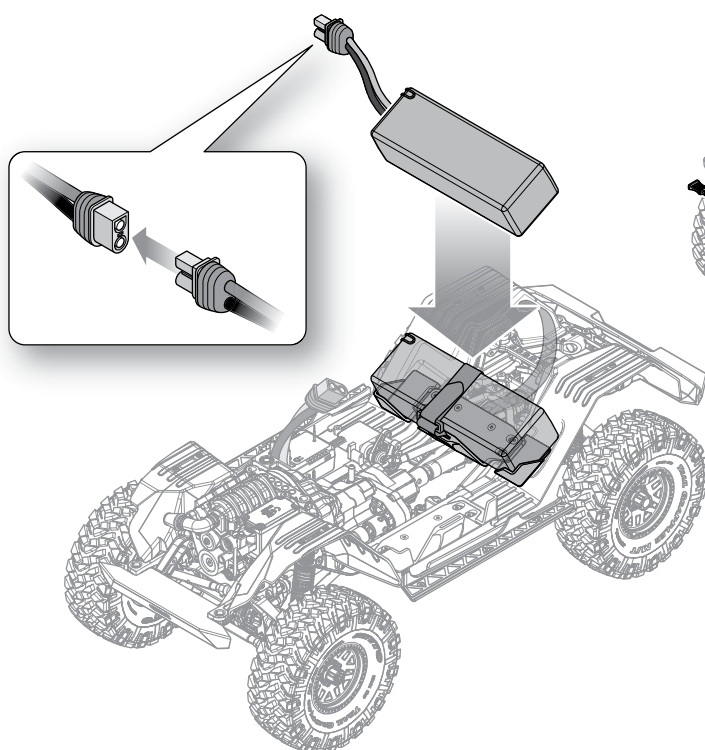


INSTALL THE VEHICLE BATTERY

The following steps show the installation of a standard size battery in the rear battery tray of the vehicle. If you wish to use a "shorty" style battery, it should be installed in the side battery tray location.



1. Power on the transmitter.
2. Remove the four body clips from under the body.
3. Pull out slightly on the bottom sides of the body while lifting it from the chassis.



4. Place the battery in the battery tray. The battery tray length may be adjusted to fit the battery as described in the previous section.
5. Secure the battery to the tray with the hook and loop strap.
6. Connect the battery to the ESC.
7. Power on the receiver/ESC.
8. Re-install the body and four body clips to the chassis.

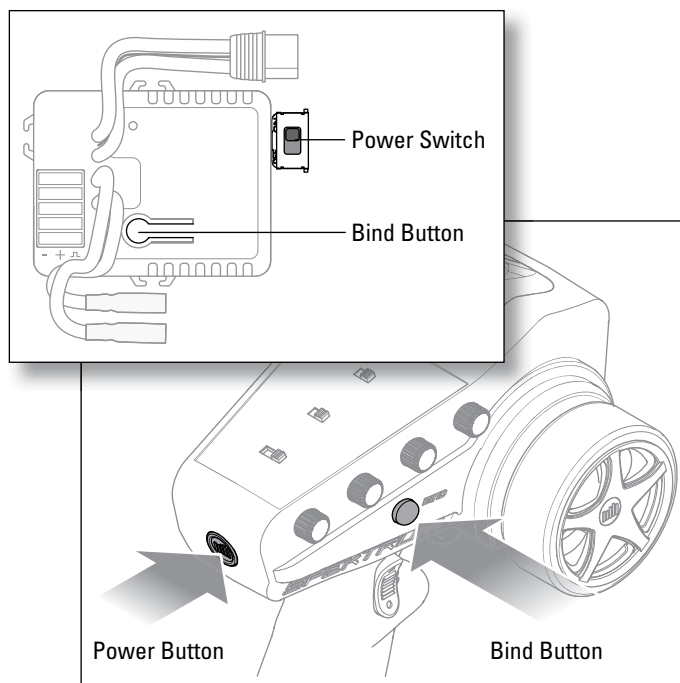
NOTICE: Always power off the ESC and disconnect the battery from the ESC before powering off the transmitter. Loss of vehicle control may result.

BINDING

Binding is the process of programming the receiver to recognize the GUID (Globally Unique Identifier) code of a single specific transmitter. The transmitter and receiver are bound at the factory. If you need to rebind, follow the instructions below.

1. Connect a fully charged battery pack to the ESC/receiver.
2. Disconnect the "Dig" servo lead from the receiver.
3. Press and hold the bind button on the receiver.
4. Power ON the receiver. The red LED flashes, indicating the receiver is in bind mode. Release the bind button after the red LED begins to flash. The motor will make continuous descending tones until binding is complete.
5. With the throttle trigger at neutral, press and hold the transmitter bind button while powering on to put the transmitter in bind mode. The throttle should be at neutral to set failsafe.
6. The bind process is complete when the green LED on the receiver remains lit.
7. Connect the "Dig" servo lead to the receiver.

You must rebind when different failsafe positions are needed e.g., when throttle or steering reversing has been changed.



RANGE-CHECKING THE RADIO SYSTEM

The radio system should be checked before operating the vehicle to ensure proper operation and adequate range.

1. Turn on the transmitter.
2. Connect the battery in the vehicle.
3. Have a friend hold the vehicle while keeping hands and loose clothing away from moving parts.
4. Walk away until you are at the maximum planned operating distance from the vehicle.
5. Turn the steering wheel side to side and operate the throttle, both forward and reverse, checking for any erratic behavior.
6. If any erratic behavior is exhibited, DO NOT operate the vehicle. Call customer service for assistance.

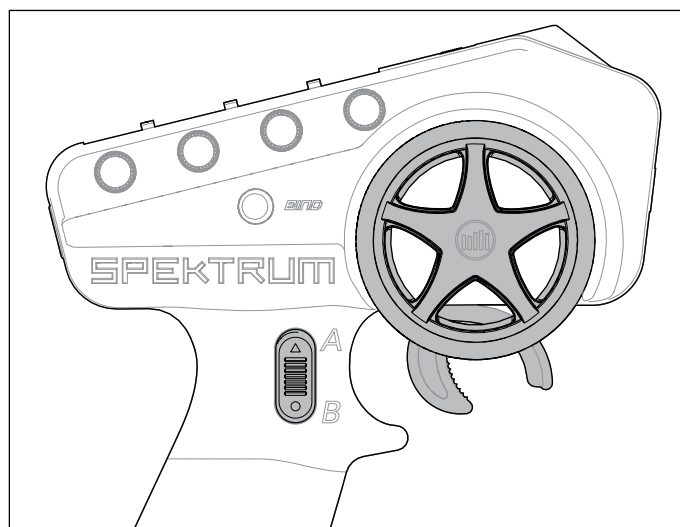


USING THE DIG TRANSMISSION

The vehicle includes a "Dig" transmission which allows the rear axle to lock while still allowing the front wheels to spin. Use this feature in close quarters to turn the vehicle tighter than is possible with normal 4 wheel drive or to preload the suspension when needed.

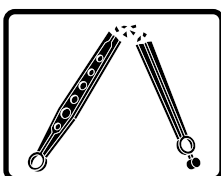
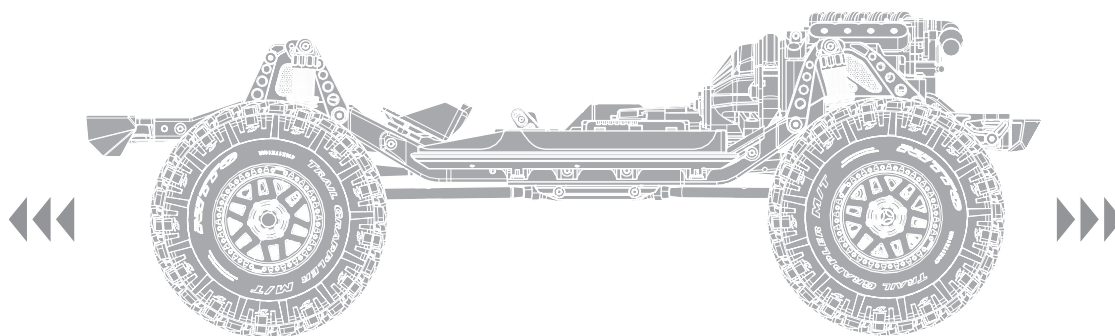
To use the Dig function:

1. Press and hold the channel 3 B button on the transmitter. The Dig function engages, locking the rear axle. Hold the B button as long as you want the dig function to be engaged.
2. Advance the throttle and turn the steering wheel left or right to tightly pivot the vehicle around.
3. Release the channel 3 B button to disengage the Dig function.

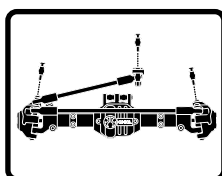


VEHICLE MAINTENANCE

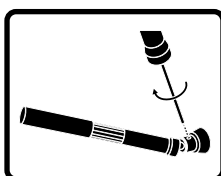
Just like a full size car or truck your RC vehicle must undergo periodic maintenance in order to ensure peak performance. Preventative maintenance will also help avoid needless breakages which could result in costly repairs. Below are some suggestions to properly maintain your vehicle.



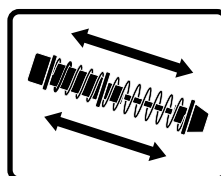
Replace any noticeable bent or broken parts



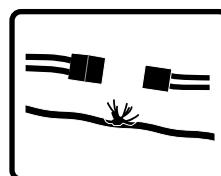
Check for wear on the ball joints in the steering and suspension links (replace if necessary)



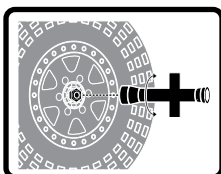
Check driveshaft set screws and apply thread locking compound if necessary



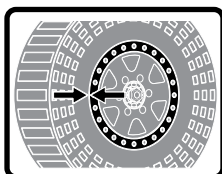
Inspect shock absorbers for smooth dampened operation



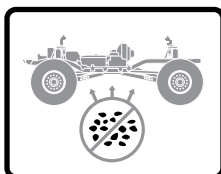
Check for any loose connections or frayed wiring



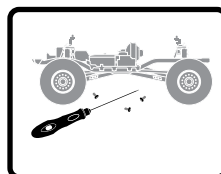
Check the wheel nuts for tightness



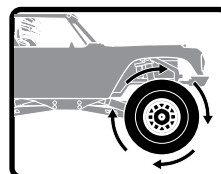
Ensure the wheel beads are still firmly bonded around the entire circumference of the rim



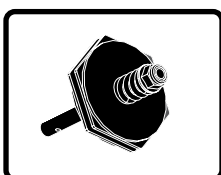
Keep the chassis free of dirt and debris



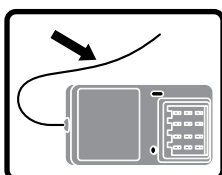
Check for loose screws on the chassis, especially the knuckle, C-hub and axle lockout screws



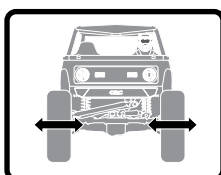
Check the driveline for smooth, bind free operation



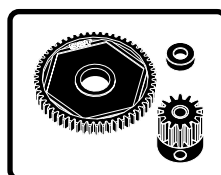
If applicable, check the slipper clutch for proper operation



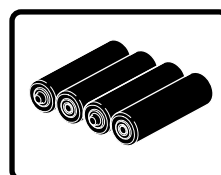
Check the receiver antenna for damage



Check the steering operation for any binding



Inspect the spur and pinion gears for damage



Replace the transmitter batteries when indicated by the transmitter, as described in the Transmitter Functions section

SPEKTRUM RECEIVER/ESC COMBO

OPERATION

1. Power on the transmitter.
2. Power on the receiver.
3. The green LED on the receiver will be illuminated when it is connected to your transmitter.
4. Disconnect the battery from the ESC/Receiver after operation.

FAILSAFE

In the unlikely event that the radio link is lost during use, the 2-in-1 will drive the throttle channel to the neutral (throttle off) position. If the 2-in-1 is powered on prior to turning on the transmitter, it will enter failsafe mode, leaving throttle off. When the transmitter is turned on, normal control will resume.

LED INDICATORS

Upon powering ON the ESC, the red LED will blink and the motor will emit a series of beeps to indicate its status. The number of tones indicates (1) the ESC is in operation (2) the battery mode detected and (3) the ESC is in a ready-to-use state.

FEATURE	RED LED STATUS	MOTOR SOUND
ESC Is In Operation	Rapid Blinking	4 Changing Tones
Ni-MH/Ni-CD Battery	1 Blink	1 Short Tone
2S Li-Po Battery	2 Blinks	2 Short Beeps
3S Li-Po Battery	3 Blinks	3 Short Beeps
ESC Ready, No Transmitter Signal	2 Short Blinks, Red Blink Repeating	2 Ascending Tones, Descending Tones Repeating

OPERATION	LED STATUS
Forward	
Partial Throttle	Green Solid, Red Blinks
Full Throttle	Green and Red Solid
Reverse	
Partial Throttle	Green Solid, Red Blinks
Full Throttle	Green and Red Solid
Brake	
Partial	Green Solid, Red Blinks
Full	Green and Red Solid
Stop	Green Solid
Battery Low Voltage or No Signal	Red Blinks
Overheat	Green Blinks
Over Current Protection	Green and Red Triple Blinks

ESC AND TRANSMITTER CALIBRATION

The included transmitter and ESC/receiver combo automatically calibrate when powered on. Follow the procedure below to ensure accurate calibration between the transmitter and ESC/receiver.

1. Connect a fully charged battery to the ESC/receiver. Ensure the power switch is in the OFF position.
2. Power the transmitter ON. Ensure the throttle is not reversed, the throttle trim is neutral and the throttle travel range is at 100%.
3. With the throttle at neutral, power ON the ESC/receiver.
4. Leave the throttle trigger and trims at neutral for at least 3 seconds. The ESC/Receiver automatically calibrates the throttle range after 3 seconds.
5. The LED will blink and the motor will beep to indicate the battery mode selection.
6. One long LED blink and one long beep indicates the ESC is ready to run.

GEAR RATIOS

SPUR/PINION GEAR RATIO CHART - LCX TRANSMISSION							
	12	13	14	15	16	17	18
Low Speed (standard)	58.1	49.2	45.6	42.6	39.4	37.6	35.5
High Speed (optional)	39.8	36.5	31.3	29.2	27.3	25.7	24.3

SPECIFICATIONS

Type	Waterproof DSMR ESC/Receiver 2-in-1 with SMART Telemetry
Dimensions (L x W x H)	54mm x 33.5mm x 20.5mm
Antenna Length	31mm
Channels	4 (No Throttle Servo Output)
Weight	68g
Band	2404 MHz – 2476 MHz
Servo Output Voltage	6V up to 3A, Shared with Auxillary Light Connectors
Telemetry Features	Battery Voltage, Current, ESC Temp, Battery Data (with SMART Battery)
Battery Input Connector	IC3™ (EC3™ Compatible)
Voltage Range	2–3S Li-Po*/5–9S NiMH
Max Current	40A Continuous/ 180A Burst
Motor Connectors	3.5mm Bullet

*Default setting for low voltage cutoff is Li-Po. Optional Dynamite Program Card (DYNS3005) required to change the Battery Type Setting.

TROUBLESHOOTING

PROBLEM	POSSIBLE CAUSE	SOLUTION
The system will not connect	Your transmitter and receiver are too close together	Move transmitter 8 to 12 feet away from receiver
	You are near metal objects	Move to an area with less metal
	The receiver is bound to a different model memory	Make sure the correct model memory is active in your transmitter
	Your transmitter was placed into bind mode and is no longer bound to your receiver	Rebind your transmitter and receiver, and then re-calibrate receiver
The receiver goes into failsafe a short distance away from the transmitter	Check for damage on the receiver antenna	Make sure your receiver antenna is protected and located as high as practical
		Replace the receiver or contact Horizon Product Support
The receiver stops responding during operation	Low receiver battery voltage. If the battery voltage is low, it may drop below 3.5V momentarily, causing the receiver to brown-out, then reconnect	Charge the receiver or vehicle battery. Spektrum receivers require at least 3.5V to operate
	Loose or damaged wires or connectors between battery and receiver	Check the wires and connection between the battery and receiver. Repair or replace wires and/or connectors
Vehicle does not move	Batteries are not installed properly in the transmitter	Ensure the transmitter batteries are properly installed
	Weak or no battery in the vehicle	Install a freshly charged vehicle battery
	Damaged motor	Replace the motor
	Frayed or broken wiring	Replace any damaged wiring
	ESC is shut down by heat protection circuit	Allow the ESC to cool down completely
Loss of vehicle control	Improper antenna placement	Ensure the transmitter antenna is not blocked and the receiver antenna is located properly
	Weak or no batteries in the transmitter or vehicle	Install a freshly charged vehicle battery and new transmitter batteries
	Neutral or trim position is incorrect	Adjust the steering trim
	Receiver and/or battery not connected properly	Check all receiver and battery connections
Steering and/or throttle function is reversed	Servo travel is reversed at the transmitter	Set the transmitter servo reversing switch to the correct position
	Motor wires are not connected properly	Check all motor wires for correct polarity and secure connection
ESC ON - No motor function, audible tone or LED	Battery/connection issue	Recharge/replace battery. Secure all connections
	Damaged ESC/switch	Repair/replace ESC switch/ESC
	Damaged motor	Repair/replace
Motor- Stops and LED blinks	Low voltage protection	When the ESC LED blinks, recharge/replace battery
	Overheat protection	When the LED blinks, let motor/ESC cool, change set up or gearing to avoid overheating
Motor- Accelerates irregularly	Battery issue	Repair damaged wiring/replace battery
	Incorrect gearing	Adjust/replace gearing
	Worn or damaged motor	Repair/replace motor
Motor- Does not turn continuously in response to throttle	ESC/motor damaged	Repair/replace wiring or motor/ESC
Motor- Slows but will not stop	Incorrect transmitter/ESC calibration	Adjust throttle travel/other throttle settings on the transmitter/ESC. Repeat the ESC Calibration Procedure
Steering servo- Operates; motor does not run	Damaged motor	Test the motor apart from the vehicle system, repair/replace motor as needed
	Incorrect transmitter/ESC calibration	Adjust throttle travel/other throttle settings on the transmitter/ESC. Repeat the ESC Calibration Procedure
Steering/motor- not functioning	Low battery voltage	Recharge/replace
	Wrong model memory selected on transmitter	Select correct model settings on your transmitter, refer to transmitter and/or receiver manual
	Receiver not bound to transmitter	Bind transmitter to receiver, refer to transmitter and/or receiver manual
Vehicle- Does not operate at full speed	Battery issue	Recharge/replace
	Incorrect transmitter/ESC calibration	Adjust throttle travel/other throttle settings on the transmitter/ESC. Repeat the ESC Calibration Procedure

LIMITED WARRANTY

What this Warranty Covers

Horizon Hobby, LLC, (Horizon) warrants to the original purchaser that the product purchased (the "Product") will be free from defects in materials and workmanship for a period of 2 years from the date of purchase.

What is Not Covered

This warranty is not transferable and does not cover (i) cosmetic damage, (ii) damage due to acts of God, accident, misuse, abuse, negligence, commercial use, or due to improper use, installation, operation or maintenance, (iii) modification of or to any part of the Product, (iv) attempted service by anyone other than a Horizon Hobby authorized service center, (v) Product not purchased from an authorized Horizon dealer, or (vi) Product not compliant with applicable technical regulations or (vii) use that violates any applicable laws, rules, or regulations.

OTHER THAN THE EXPRESS WARRANTY ABOVE, HORIZON MAKES NO OTHER WARRANTY OR REPRESENTATION, AND HEREBY DISCLAIMS ANY AND ALL IMPLIED WARRANTIES, INCLUDING, WITHOUT LIMITATION, THE IMPLIED WARRANTIES OF NON-INFRINGEMENT, MERCHANTABILITY AND FITNESS FOR A PARTICULAR PURPOSE. THE PURCHASER ACKNOWLEDGES THAT THEY ALONE HAVE DETERMINED THAT THE PRODUCT WILL SUITABLY MEET THE REQUIREMENTS OF THE PURCHASER'S INTENDED USE.

Purchaser's Remedy

Horizon's sole obligation and purchaser's sole and exclusive remedy shall be that Horizon will, at its option, either (i) service, or (ii) replace, any Product determined by Horizon to be defective. Horizon reserves the right to inspect any and all Product(s) involved in a warranty claim. Service or replacement decisions are at the sole discretion of Horizon. Proof of purchase is required for all warranty claims. SERVICE OR REPLACEMENT AS PROVIDED UNDER THIS WARRANTY IS THE PURCHASER'S SOLE AND EXCLUSIVE REMEDY.

Limitation of Liability

HORIZON SHALL NOT BE LIABLE FOR SPECIAL, INDIRECT, INCIDENTAL OR CONSEQUENTIAL DAMAGES, LOSS OF PROFITS OR PRODUCTION OR COMMERCIAL LOSS IN ANY WAY, REGARDLESS OF WHETHER SUCH CLAIM IS BASED IN CONTRACT, WARRANTY, TORT, NEGLIGENCE, STRICT LIABILITY OR ANY OTHER THEORY OF LIABILITY, EVEN IF HORIZON HAS BEEN ADVISED OF THE POSSIBILITY OF SUCH DAMAGES. Further, in no event shall the liability of Horizon exceed the individual price of the Product on which liability is asserted. As Horizon has no control over use, setup, final assembly, modification or misuse, no liability shall be assumed nor accepted for any resulting damage or injury. By the act of use, setup or assembly, the user accepts all resulting liability. If you as the purchaser or user are not prepared to accept the liability associated with the use of the Product, purchaser is advised to return the Product immediately in new and unused condition to the place of purchase.

Law

These terms are governed by Illinois law (without regard to conflict of law principals). This warranty gives you specific legal rights, and you may also have other rights which vary from state to state. Horizon reserves the right to change or modify this warranty at any time without notice.

WARRANTY SERVICES

Questions, Assistance, and Services

Your local hobby store and/or place of purchase cannot provide warranty support or service. Once assembly, setup or use of the Product has been started, you must contact your local distributor or Horizon directly. This will enable Horizon to better answer your questions and service you in the event that you may need any assistance. For questions

or assistance, please visit our website at www.horizonhobby.com, submit a Product Support Inquiry, or call the toll free telephone number referenced in the Warranty and Service Contact Information section to speak with a Product Support representative.

Inspection or Services

If this Product needs to be inspected or serviced and is compliant in the country you live and use the Product in, please use the Horizon Online Service Request submission process found on our website or call Horizon to obtain a Return Merchandise Authorization (RMA) number. Pack the Product securely using a shipping carton. Please note that original boxes may be included, but are not designed to withstand the rigors of shipping without additional protection. Ship via a carrier that provides tracking and insurance for lost or damaged parcels, as Horizon is not responsible for merchandise until it arrives and is accepted at our facility. An Online Service Request is available at http://www.horizonhobby.com/content/service-center_render-service-center. If you do not have internet access, please contact Horizon Product Support to obtain a RMA number along with instructions for submitting your product for service. When calling Horizon, you will be asked to provide your complete name, street address, email address and phone number where you can be reached during business hours. When sending product into Horizon, please include your RMA number, a list of the included items, and a brief summary of the problem. A copy of your original sales receipt must be included for warranty consideration. Be sure your name, address, and RMA number are clearly written on the outside of the shipping carton.

NOTICE: Do not ship Li-Po batteries to Horizon. If you have any issue with a Li-Po battery, please contact the appropriate Horizon Product Support office.

Warranty Requirements

For Warranty consideration, you must include your original sales receipt verifying the proof-of-purchase date. Provided warranty conditions have been met, your Product will be serviced or replaced free of charge. Service or replacement decisions are at the sole discretion of Horizon.

Non-Warranty Service

Should your service not be covered by warranty, service will be completed and payment will be required without notification or estimate of the expense unless the expense exceeds 50% of the retail purchase cost. By submitting the item for service you are agreeing to payment of the service without notification. Service estimates are available upon request. You must include this request with your item submitted for service. Non-warranty service estimates will be billed a minimum of 1/2 hour of labor. In addition you will be billed for return freight. Horizon accepts money orders and cashier's checks, as well as Visa, MasterCard, American Express, and Discover cards. By submitting any item to Horizon for service, you are agreeing to Horizon's Terms and Conditions found on our website http://www.horizonhobby.com/content/service-center_render-service-center.

ATTENTION: Horizon service is limited to Product compliant in the country of use and ownership. If received, a non-compliant Product will not be serviced. Further, the sender will be responsible for arranging return shipment of the un-serviced Product, through a carrier of the sender's choice and at the sender's expense. Horizon will hold non-compliant Product for a period of 60 days from notification, after which it will be discarded.

10/15


WARRANTY AND SERVICE CONTACT INFORMATION

COUNTRY OF PURCHASE	HORIZON HOBBY	CONTACT INFORMATION	ADDRESS
United States of America	Horizon Service Center (Repairs and Repair Requests)	servicecenter.horizonhobby.com/RequestForm/	2904 Research Rd Champaign, IL 61822
	Horizon Product Support (Product Technical Assistance)	productsupport@horizonhobby.com 877-504-0233	
	Sales	websales@horizonhobby.com 800-338-4639	
European Union	Horizon Technischer Service	service@horizonhobby.eu	Hanskampring 9 D 22885 Barsbüttel, Germany
	Sales: Horizon Hobby GmbH	+49 (0) 4121 2655 100	

FCC INFORMATION

Contains FCC ID: BRWKATY1T


This device complies with part 15 of the FCC rules. Operation is subject to the following two conditions: (1) This device may not cause harmful interference, and (2) this device must accept any interference received, including interference that may cause undesired operation.


 **CAUTION:** Changes or modifications not expressly approved by the party responsible for compliance could void the user's authority to operate the equipment.

This product contains a radio transmitter with wireless technology which has been tested and found to be compliant with the applicable regulations governing a radio transmitter in the 2.400GHz to 2.4835GHz frequency range.

SUPPLIER'S DECLARATION OF CONFORMITY

Axial SCX10 III Jeep Wrangler (AXI03003)

 This device complies with part 15 of the FCC Rules. Operation is subject to the following two conditions: (1) This device may not cause harmful interference, and (2) this device must accept any interference received, including interference that may cause undesired operation.

 **CAUTION:** changes or modifications not expressly approved by the party responsible for compliance could void the user's authority to operate the equipment.

NOTE: This equipment has been tested and found to comply with the limits for a Class B digital device, pursuant to part 15 of the FCC Rules. These limits are designed to provide reasonable protection against harmful interference in a residential installation. This equipment generates, uses and can radiate radio frequency energy and, if not installed and used in accordance with the instructions, may cause harmful interference to radio communications. However, there is no guarantee that interference will not occur in a particular installation. If this equipment does cause harmful interference to radio or television reception, which can be determined by turning the equipment off and on, the user is encouraged to try to correct the interference by one or more of the following measures:

- Reorient or relocate the receiving antenna.
- Increase the separation between the equipment and receiver.
- Connect the equipment into an outlet on a circuit different from that to which the receiver is connected.
- Consult the dealer or an experienced radio/TV technician for help.

Horizon Hobby, LLC
2904 Research Rd.,
Champaign, IL 61822
Email: compliance@horizonhobby.com
Web: HorizonHobby.com

IC INFORMATION

CAN ICES-3 (B)/NMB-3(B)

Contains IC: 6157A-KATY1T

This device complies with Industry Canada licence-exempt RSS standard(s). Operation is subject to the following two conditions: (1) this device may not cause interference, and (2) this device must accept any interference, including interference that may cause undesired operation of the device.

COMPLIANCE INFORMATION FOR THE EUROPEAN UNION

EU COMPLIANCE STATEMENT:

Axial SCX10 III Jeep Wrangler (AXI03003)

Horizon Hobby, LLC hereby declares that this product is in compliance with the essential requirements and other relevant provisions of the RED and EMC Directives.

A copy of the EU Declaration of Conformity is available online at: <http://www.horizonhobby.com/content/support-render-compliance>.

INSTRUCTIONS FOR DISPOSAL OF WEEE BY USERS IN THE EUROPEAN UNION



This product must not be disposed of with other waste. Instead, it is the user's responsibility to dispose of their waste equipment by handing it over to a designated collection point for the recycling of waste electrical and electronic equipment. The separate collection and recycling of your waste equipment at the time of disposal will help to conserve natural resources and ensure that it is recycled in a manner that protects human health and the environment. For more information about where you can drop off your waste equipment for recycling, please contact your local city office, your household waste disposal service or where you purchased the product.



E328

HINWIES

Allen Anweisungen, Garantien und anderen zugehörigen Dokumenten sind Änderungen nach Ermessen von Horizon Hobby, LLC vorbehalten. Aktuelle Produktliteratur finden Sie unter www.horizonhobby.com oder www.towerhobbies.com im Support-Abschnitt für das Produkt.


ERKLÄRUNG DER BEGRIFFE

Die folgenden Begriffe werden in der gesamten Produktliteratur verwendet, um auf unterschiedlich hohe Gefahrenrisiken beim Betrieb dieses Produkts hinzuweisen:

WARNUNG: Wenn diese Verfahren nicht korrekt befolgt werden, ergeben sich wahrscheinlich Sachschäden, Kollateralschäden und schwere Verletzungen ODER mit hoher Wahrscheinlichkeit oberflächliche Verletzungen.

ACHTUNG: Wenn diese Verfahren nicht korrekt befolgt werden, ergeben sich wahrscheinlich Sachschäden UND die Gefahr von schweren Verletzungen.

HINWEIS: Wenn diese Verfahren nicht korrekt befolgt werden, können sich möglicherweise Sachschäden UND geringe oder keine Gefahr von Verletzungen ergeben.

 **WARNUNG:** Lesen Sie die GESAMTE Bedienungsanleitung, um sich vor dem Betrieb mit den Produktfunktionen vertraut zu machen. Wird das Produkt nicht korrekt betrieben, kann dies zu Schäden am Produkt oder persönlichem Eigentum führen oder schwere Verletzungen verursachen.

Dies ist ein hochentwickeltes Hobby-Produkt. Es muss mit Vorsicht und gesundem Menschenverstand betrieben werden und benötigt gewisse mechanische Grundfähigkeiten. Wird dieses Produkt nicht auf eine sichere und verantwortungsvolle Weise betrieben, kann dies zu Verletzungen oder Schäden am Produkt oder anderen Sachwerten führen. Versuchen Sie nicht ohne Genehmigung durch Horizon Hobby, LLC, das Produkt zu zerlegen, es mit inkompatiblen Komponenten zu verwenden oder auf jegliche Weise zu erweitern. Diese Bedienungsanleitung enthält Anweisungen für Sicherheit, Betrieb und Wartung. Es ist unbedingt notwendig, vor Zusammenbau, Einrichtung oder Verwendung alle Anweisungen und Warnhinweise im Handbuch zu lesen und zu befolgen, damit es bestimmungsgemäß betrieben werden kann und Schäden oder schwere Verletzungen vermieden werden.


Nicht geeignet für Kinder unter 14 Jahren. Dies ist kein Spielzeug.

SICHERHEITSHINWEISE UND WARNUNGEN

Als Nutzer dieses Produktes, sind Sie allein verantwortlich, es in einer Art und Weise zu benutzen, die eine eigene Gefährdung und die anderer oder Beschädigung an anderem Eigentum ausschließt.

Das Modell ist ferngesteuert und anfällig für bestimmte äußere Einflüsse. Diese Einflüsse können zum vorübergehenden Verlust der Steuerfähigkeit führen, so dass es immer sinnvoll ist genügend Sicherheitsabstand in alle Richtungen um das Modell zu haben.

- Fahren Sie das Modell nie mit fast leeren oder schwachen Senderbatterien.
- Betreiben Sie Ihr Modell stets auf offenen Geländen, weit ab von Automobilen, Verkehr und Menschen.
- Fahren Sie Ihr Modell nicht auf der Straße oder belebten Plätzen.
- Beachten Sie vorsichtig alle Hinweise und Warnungen für das Modell und allen dazu gehörigen Equipment.
- Halten Sie alle Chemikalien, Kleinteile und elektrische Bauteile aus der Reichweite von Kindern.
- Lecken Sie niemals an Teilen von Ihrem Modell oder nehmen diese in den Mund, da diese Sie ernsthaft verletzen oder töten können.
- Seien Sie immer aufmerksam wenn Sie Werkzeug oder scharfe Instrumente verwenden.
- Seien Sie bei dem Bau vorsichtig, da einige Teile scharfe Kanten haben könnten.
- Fassen Sie bitte unmittelbar nach dem Betrieb nicht den Motor, Regler oder Akku an, da diese Teile sich sehr erwärmen können und Sie sich bei dem berühren ernsthaft verbrennen können.
- Fassen Sie nicht in drehende oder sich bewegende Teile, da sich sich ernsthaft dabei verletzen können.
- Schalten Sie immer zuerst den Sender ein, bevor Sie den Empfänger im Fahrzeug einschalten.
- Stellen Sie das Fahrzeug mit den Rädern nicht auf den Boden, wenn Sie die Funktionen überprüfen.

 **WARNUNG VOR GEFÄLSCHTEN PRODUKTEN:** Sollten Sie jemals eine Spektrum Komponente ersetzen wollen, kaufen Sie die benötigten Ersatzteile immer bei Horizon Hobby oder einem von Horizon Hobby autorisierten Händler, um sicherzugehen, dass Sie beste Spektrum Qualität erhalten. Horizon Hobby, LLC lehnt jedwede Haftung, Garantie und Serviceleistung in Bezug auf, aber nicht ausschließlich für, Kompatibilitäts- und Leistungsansprüche von gefälschten Produkten oder Produkten, die angeben mit Spektrum kompatibel zu sein, ab.

INHALTSVERZEICHNIS


Wassergeschütztes Fahrzeug mit wasserdichter Elektronik	15	Verwenden des Grabgetriebes.....	20
Packungsinhalt.....	16	Fahrzeugwartung.....	21
Erforderliches Zubehör	16	Spektrum Empfänger/Geschwindigkeitsregler-Kombination	22
Empfohlene Werkzeuge	16	Kalibrierung von Geschwindigkeitsregler und Sender	22
Erste-Schritte-Checkliste	17	Übertragungsverhältnis	22
Fahrzeugteile	17	Problemlösung.....	23
Laden des Fahrzeug-Akkus.....	18	Eingeschränkte Garantie	24
Einsetzen der Senderbattereien.....	18	Garantie und Service Kontaktinformationen.....	24
Funktionen des Senders	18	Konformitätshinweise für die Europäische Union.....	25
Anpassen des Akkufachs des Fahrzeugs.....	19	Explosionszeichnungen	50
Den Fahrzeug-Akku einsetzen	19	Teilelisten	57
Binden.....	20	Optionale Teile.....	60
Reichweitentest für das Funksystem durc	20	Elektronik.....	60

WASSERGESCHÜTZTES FAHRZEUG MIT WASSERDICHTER ELEKTRONIK

Ihr neues Horizon Hobby Fahrzeug wurde mit einer Kombination von wasserfesten und spritzwassergeschützten Komponenten ausgestattet, die den Betrieb des Fahrzeuges unter nassen Bedingungen inklusive Pfützen, Bächen, nassem Gra, Schnee oder sogar Regen ermöglichen.

Obwohl das Fahrzeug sehr wasserfest ausgelegt ist, ist es nicht vollständig wasserdicht und sollte NICHT wie ein U-Boot behandelt werden. Die verschiedenen elektronischen Komponenten wie der elektronische Fahrtregler (ESC), die Servos und Empfänger sind wasserdicht, die meisten mechanischen Komponenten sind nur wasserbeständig und sollten daher nicht untergetaucht werden.

Metallteile, inklusive Lager, Bolzen Schrauben und Muttern wie auch die Kontakte in den elektrischen Kabeln sind für Korrosion anfällig wenn nicht zusätzliche Wartung nach jedem Betrieb in feuchter/nasser Umgebung erfolgt. Um die Langzeitleistung und die Garantie ihres Fahrzeuges zu erhalten, müssen Sie die Wartung wie in der Wartungsanleitung nach Fahrten in nasser Umgebung beschrieben durchführen. Sollten Sie diese zusätzliche Wartung nicht ausführen wollen, dürfen Sie ihr Fahrzeug unter diesen Bedingungen nicht betreiben.

 **ACHTUNG:** Mangelnde Aufmerksamkeit bei dem Gebrauch dieses Produktes in Verbindung mit den folgenden Sicherheitshinweisen könnte zu Fehlfunktionen und zum Verlust der Garantie führen.


ALLGEMEINE SICHERHEITSHINWEISE

- Bitte lesen Sie sich die Wartungsanleitung nach Fahrten in nasser Umgebung sorgfältig durch und stellen sicher, dass Sie alle Werkzeuge für eine Wartung des Fahrzeuges haben.
- Sie können nicht alle Akkutypen für Fahrten in nasser Umgebung nutzen. Fragen Sie dazu vor dem Einsatz den Hersteller des Akkus. Achtsamkeit und Vorsicht ist notwendig wenn Sie LiPo Akkus in feuchten Umgebungen einsetzen.
- Die meisten Sender sind nicht wasserfest. Sehen Sie bitte dazu vor Inbetriebnahme in der Bedienungsanleitung ihres Senders nach oder kontaktieren Sie den Hersteller.
- Nehmen Sie niemals den Sender bei Blitzen oder Gewitter in Betrieb.
- Betreiben Sie ihr Fahrzeug nicht an Orten wo es in Kontakt mit Salzwasser oder verschmutzten, belasteten Gewässern kommen kann. Salzwasser ist sehr leitend und stark korrosionsfördernd, sein Sie daher sehr achtsam.
- Schon geringer Wasserkontakt kann den Motor beschädigen wenn er nicht für den Betrieb in Wasser ausgelegt ist. Sollte der Motor nass geworden sein geben Sie etwas Gas bis die meiste Feuchtigkeit vom Motor entfernt ist. Lassen Sie einen nassen Motor auf hoher Geschwindigkeit laufen wird dieses den Motor sehr schnell beschädigen.

- Fahren in nasser Umgebung kann die Lebenszeit des Motors reduzieren, da dieses den Motor stark beansprucht. Verändern Sie die Untersetzung zu einem kleinerem Ritzel oder größeren Zahnrad. Dieses erhöht das Drehmoment (und verlängert die Motorlebensdauer) bei dem Betrieb in Matsch, tieferen Pfützen oder anderen Bedingungen, die die Last des Motors für einen längeren Zeitraum erhöhen.

WARTUNGSANLEITUNG NACH FAHRTEN IN NASSER UMGEBUNG

- Entfernen Sie Wasser in den Reifen durch Gas geben. Nehmen Sie die Karosserie ab, drehen das Fahrzeug auf den Kopf und geben ein paar Mal kurz Vollgas bis das Wasser aus dem Reifen entfernt ist.

 **ACHTUNG:** Halten Sie immer die Hände, Finger, Werkzeuge und andere lose oder hängende Objekte weg von drehenden Teilen wenn Sie diese Technik des Trocknens praktizieren.

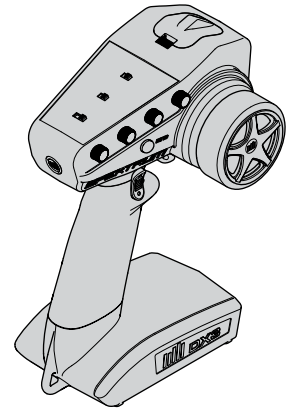
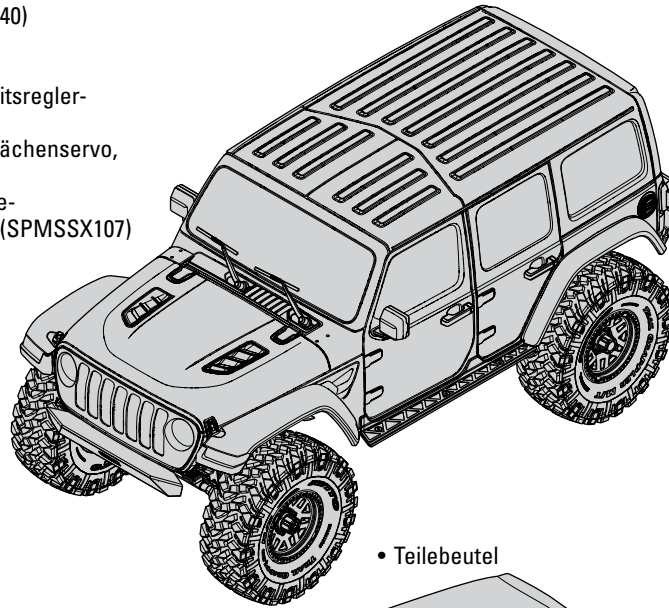
- Entfernen Sie die Akkupacks und trocknen die Kontakte. Sollten Sie einen Kompressor oder Druckluft zur Verfügung haben, blasen Sie damit das Wasser aus dem Motorgehäuse.
- Nehmen Sie die Reifen und Felgen vom Fahrzeug ab und spülen Sie vorsichtig mit einem Gartenschlauch ab. Vermeiden Sie die Lager oder den Antrieb direkt zu spülen.

HINWEIS: Verwenden Sie keinen Hochdruckreiniger um das Fahrzeug zu reinigen.

- Reinigen Sie das Fahrzeug mit Druckluft aus einem Kompressor oder einer Druckluftflasche und entfernen so das Wasser aus den Spalten und Ecken.
- Sprühen Sie alle Lager, Befestigungen und andere Metallteile mit einem wasserverdrängendem Leichtöl oder Schmiermittel ein. Sprühen Sie nicht den Motor ein.
- Lassen Sie das Fahrzeug vor dem Einlagern vollständig trocknen. Das Abtropfen von Wasser (und Öl) kann durchaus ein paar Stunden dauern.
- Erhöhen Sie die Wartungsintervalle (Demontage, Inspektion und schmieren) von folgenden Komponenten:
 - Vorder- und Hinterachse, Aufnahme und Lager.
 - Alle Antriebswellen Lager, Gehäuse, Getriebe und Differentiale.
 - Motor: reinigen Sie den Motor mit einem Aerosol Reiniger und ölen Sie dann die Lager mit leichtem Motoröl.

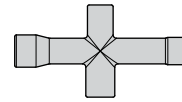
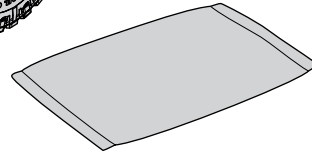
PACKUNGSGEHÄLT

- Spektrum DX3 2,4-GHz-Sender (SPM2340)
- SCX10 III Jeep Wrangler RTR
 - 35T Elektromotor (AX31312)
 - Spektrum Empfänger/Geschwindigkeitsregler-Kombination (SPMXSE1040RX)
 - Wasserdichter Metallgetriebe-Oberflächenservo, 23T (SPMS614)
 - SX107 Analoges Micro-Metallgetriebe-Oberflächenservo (Für Grabfunktion) (SPMSSX107)



• Teilebeutel

• Kreuzschlitzschlüssel



ERFORDERLICHES ZUBEHÖR

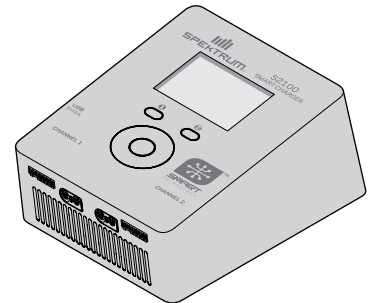
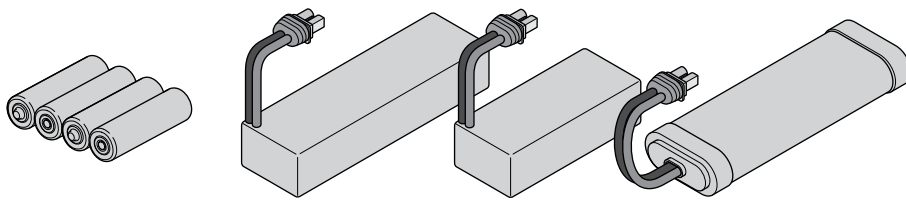
- (4) AA-Alkali-Batterien

- 2-3S Standard- oder „Shorty“-LiPo-Akku

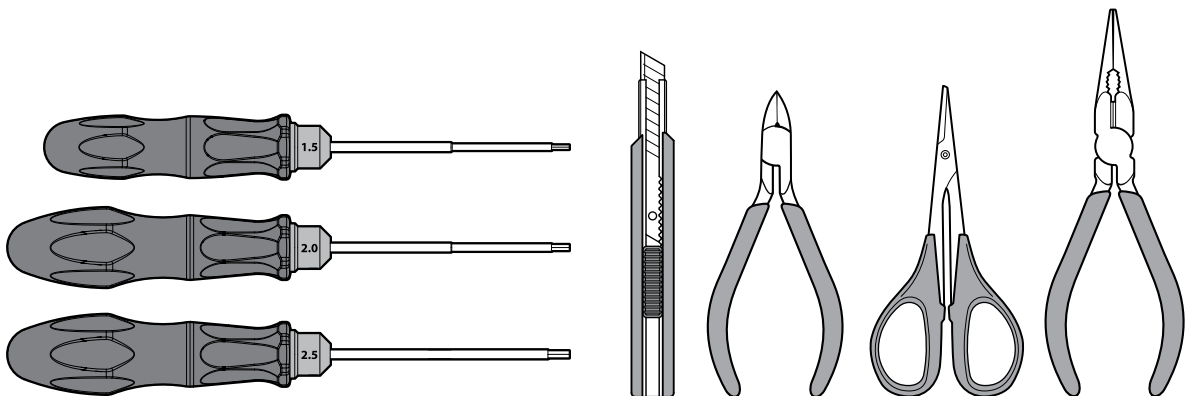
ODER

- 5-9-zelliger NiMH/NiCd-Akku
(IC3-Anschluss erforderlich)

- Akkuladegerät kompatibel mit dem gewählten Fahrzeugakku



EMPFOHLENE WERKZEUGE



• Sechskantschlüssel
(1,5, 2,0, 2,5 mm)

• Hobbymesser

• Seitenschneider

• Gebogene
Schere

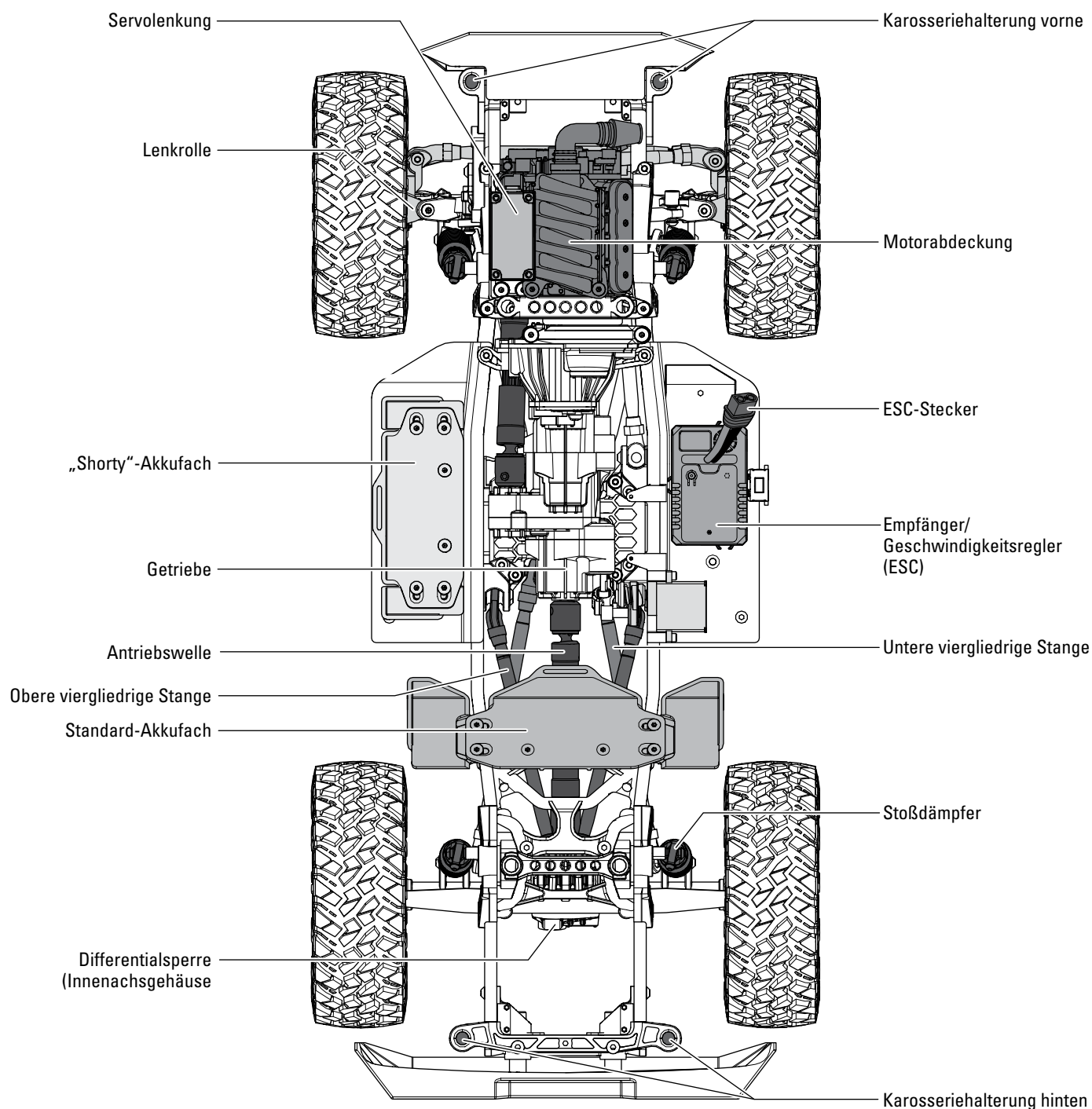
• Langnasenzange

ERSTE-SCHRITTE-CHECKLISTE

Lesen Sie das Handbuch
Machen Sie sich mit dem Fahrzeug und seinen Komponenten vertraut
Alle Schrauben, insbesondere die Feststellschrauben der Antriebswelle, werksseitig auf festen Sitz prüfen
Laden des Fahrzeug-Akkus
Die 4 AA-Batterien in den Sender einsetzen
Den Sender einschalten

Die Akkus in das Fahrzeug einsetzen
Überprüfen der ordnungsgemäßen Funktion der Gaszufuhr und der Lenkung
Reichweitentest für das Funksystem durchführen
Fahren Sie das Fahrzeug, fordern Sie sich selbst heraus und genießen Sie es!
Notwendige Wartungsmaßnahmen am Fahrzeug vornehmen

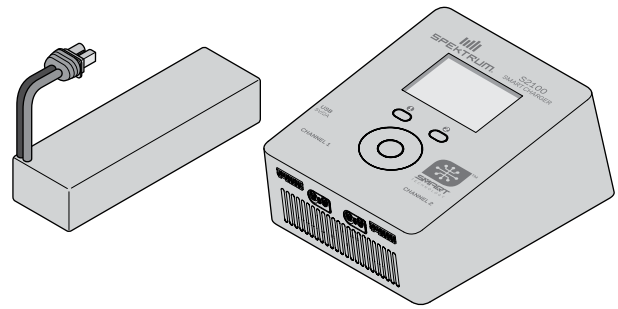
FAHRZEUGTEILE



LADEN DES FAHRZEUG-AKKUS

Befolgen Sie die Anweisungen des Herstellers Ihres Ladegeräts, um den Fahrzeug-Akku ordnungsgemäß zu laden.

⚠ ACHTUNG: Verwenden Sie nur Ladegeräte, die für das Laden des gewählten Akkutyps ausgelegt sind. Die Verwendung eines falschen Ladegeräts oder eine falsche Ladeeinstellung kann dazu führen, dass der Akku brennt oder explodiert.



EINSETZEN DER SENDERBATTERIEIEN

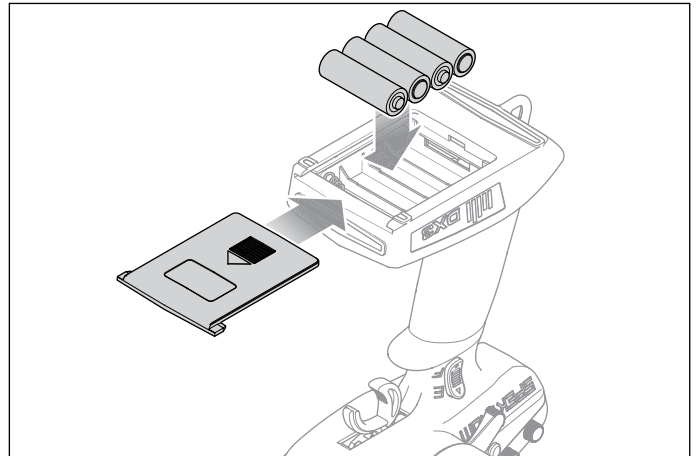
Für den Betrieb sind 4 AA Batterien erforderlich.

1. Nehmen Sie die Batteriekappe vom Sender ab.
2. Setzen Sie die Batterien wie abgebildet ein.
3. Setzen Sie die Batteriekappe wieder auf.

⚠ ACHTUNG: Entfernen Sie niemals Batterien aus dem Sender, während das Modell eingeschaltet ist. Ein Verlust der Kontrolle über das Modell, Schäden oder Verletzungen können auftreten.

⚠ ACHTUNG: Wenn Sie wiederaufladbare Akkus verwenden dürfen Sie nur diese laden. Das Laden von nicht aufladbaren Batterien könnte diese zur Explosion bringen, was Sach- und Personenschäden zur Folge haben könnte.

⚠ ACHTUNG: Es besteht Explosionsrisiko wenn die Akkus durch einen falschen Typ ersetzt werden. Entsorgen Sie verbrauchte Batterien den Vorschriften entsprechend.



FUNKTIONEN DES SENDERS

A/B. TASTE KANAL 3 (GRABFUNKTION)

C. THROTTLE/BRAKE (GAS/BREMSE)

D. STEUERRAD

E. STEUERRATE

Passt den Endpunkt der Steuerung an

F. BRAKE RATE

Adjusts the braking end point.

G. STEUERTRIMMUNG

Zur Anpassung des Steuermittelpunkts. Normalerweise wird die Steuertrimmung solange eingestellt, bis das Fahrzeug gerade in der Spur läuft.

H. GASTRIMMUNG

Zur Anpassung des Gasnullpunktes

I. LADEZUSTANDSANZEIGE SMART-AKKU

J. UMKEHREN DER SERVOLAUFRICTUNG

Um den Kanal für die Gaszufuhr (TH) oder die Steuerung (ST) umzukehren, die Position des entsprechenden Schalters umschalten – „N“ steht für normal, „R“ für Umkehren.

K. BEGRENZUNG GASZUFUHR

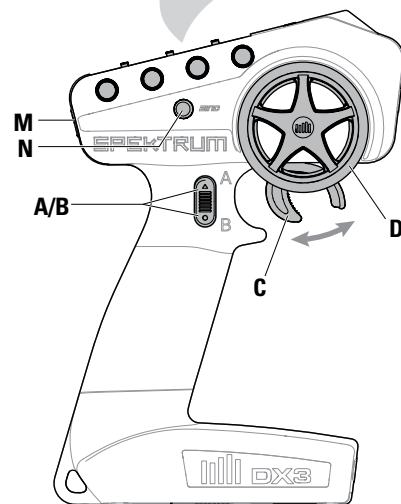
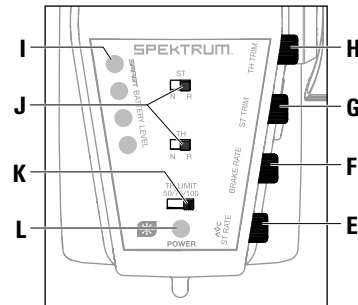
Begrenzt die Gaszufuhr auf 50/75/100 %
Wählen Sie 50 oder 75 % für Fahrer mit weniger Erfahrung oder wenn das Fahrzeug in einem kleinen Gebiet gefahren wird.

L. ANZEIGE-LEUCHTEN

- **Durchgängig rot:** Zeigt die Funkverbindung und die ausreichende Akkuladung an
- **Rot blinkend:** Zeigt an, dass die Akku-Spannung kritisch niedrig ist. Akkus ersetzen

M. EIN-/AUSSCHALTER

N. BINDUNGSSCHALTER

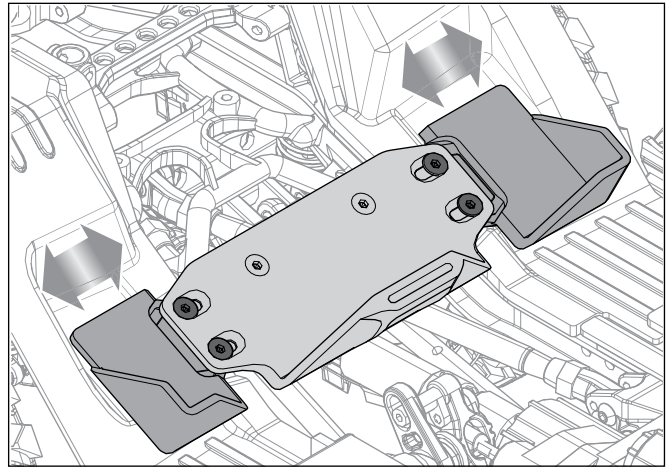


ANPASSEN DES AKKUFACHS DES FAHRZEUGS

Die Akkufächer können zur Aufnahme einer großen Bandbreite an Akku-Größen angepasst werden. Das hintere Akkufach wird in der Abbildung dargestellt. Das seitliche Akkufach kann in gleicher Weise angepasst werden.

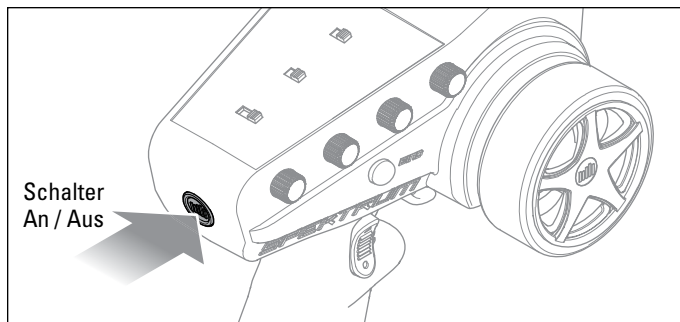
Zum Anpassen des Akkufachs:

1. Die vier in der Abbildung dargestellten Flachkopfschrauben lösen.
2. Die Enden des Akkufachs hinein oder herausschieben, damit der gewünschte Akku passt.
3. Die vier Flachkopfschrauben festziehen. Die Schrauben nicht zu fest anziehen.

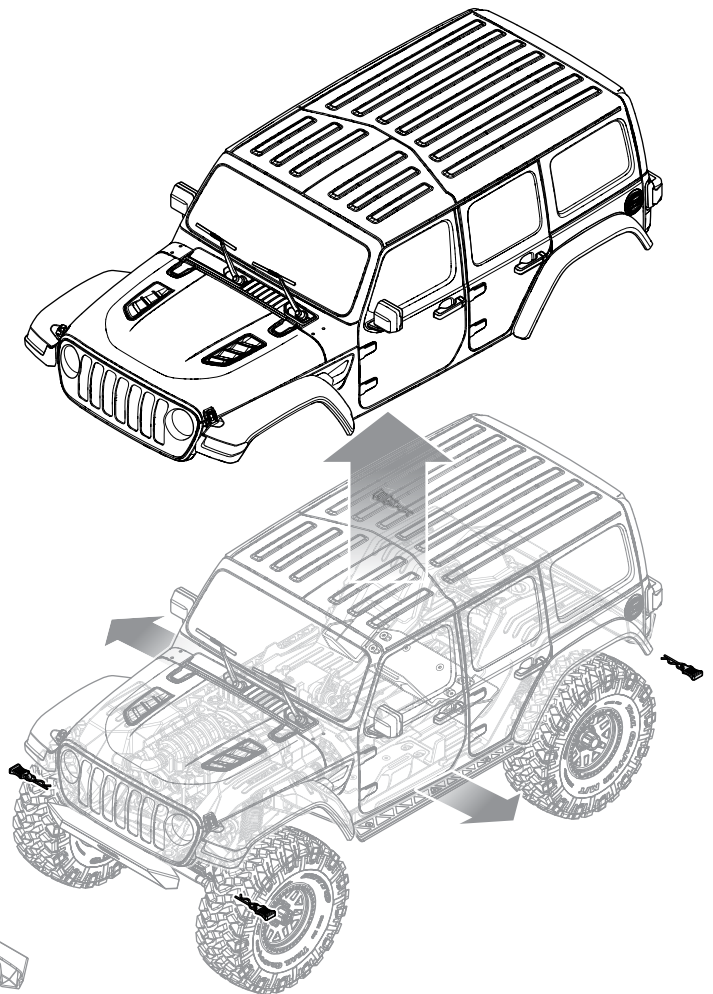
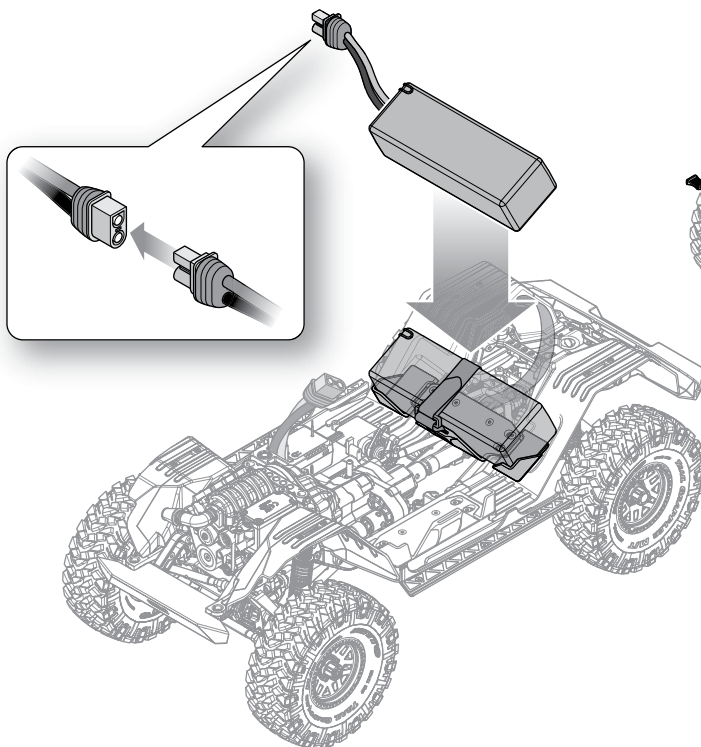


DEN FAHRZEUG-AKKU EINSETZEN

Die nachfolgenden Schritte zeigen die Montage eines Akkus in Standardgröße im hinteren Akkufach des Fahrzeugs. Soll ein „Shorty“-artiger Akku verwendet werden, diesen im seitlichen Akkufach montieren.



1. Den Sender einschalten.
2. Die vier Gehäuseklemmen unter dem Gehäuse entfernen.
3. Leicht von den unteren Seiten des Gehäuses herausziehen, während es von der Karosserie gehoben wird.



4. Den Akku im Akkufach einsetzen. Die Länge des Akkufachs kann entsprechend der Beschreibung im vorherigen Kapitel für das Einpassen des Akkus angepasst werden.
5. Den Akku mit den Klettbandern am Akkufach sichern.
6. Den Akku an den Geschwindigkeitsregler anschließen.
7. Den Empfänger/Geschwindigkeitsregler einschalten.
8. Das Gehäuse und die vier Gehäuseklemmen wieder an der Karosserie montieren.

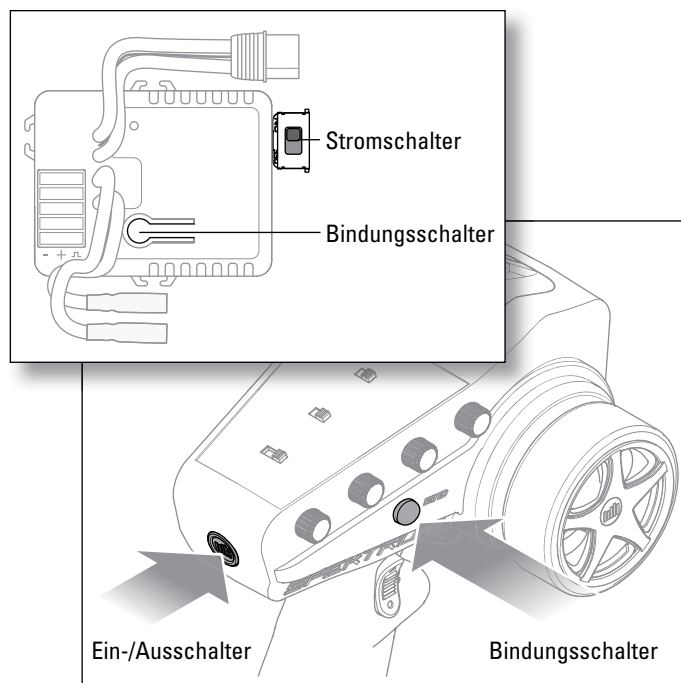
HINWEIS: Vom dem Ausschalten des Senders immer den Geschwindigkeitsregler ausschalten und den Akku vom Geschwindigkeitsregler trennen. Ein Schaden an der Fahrzeugsteuerung kann die Folge sein.

BINDEN

Das Binden ist der Vorgang, durch den der Empfänger darauf programmiert wird, den GUID-Code (Globally Unique Identifier) eines einzelnen Senders zu erkennen. Der Sender und der Empfänger sind werkseitig gebunden. Muss eine erneute Bindung durchgeführt werden, so ist die nachfolgende Anleitung zu befolgen.

1. Ein voll aufgeladenes Akkupack mit dem Geschwindigkeitsregler/ Empfänger verbinden.
2. Die „Dig“-Servoleitung vom Empfänger trennen.
3. Den Bindungsschalter am Sender gedrückt halten.
4. Den Empfänger einschalten. Die rote LED blinkt und zeigt an, dass sich der Empfänger im Bindungsmodus befindet. Den Bindungsschalter loslassen, nachdem die rote LED zu blinken beginnt. Der Motor gibt durchgängig absteigende Töne aus, bis das Binden abgeschlossen ist.
5. Der Gasauslöser befindet sich in Neutral, den Bindungsschalter des Senders während des Einschaltens gedrückt halten, um den Sender in den Bindungsmodus zu versetzen. Gas sollte auf Neutral stehen, um Failsafe einzurichten.
6. Der Bindungsvorgang ist abgeschlossen, wenn die grüne LED auf dem Empfänger durchgängig leuchtet.
7. Die „Dig“-Servoleitung mit dem Empfänger verbinden.

Ein erneutes Binden muss durchgeführt werden, wenn andere Failsafe-Positionen erforderlich sind, z. B. wenn Gas oder Steuerung umgekehrt wurden.



REICHWEITENTEST FÜR DAS FUNKSYSTEM DURC

Das Funksystem sollte vor dem Betrieb des Fahrzeugs überprüft werden, um einen ordnungsgemäßen Betrieb und eine ausreichende Reichweite zu gewährleisten.

1. Den Sender einschalten.
2. Den Akku an das Fahrzeug anschließen.
3. Bitten Sie jemanden das Fahrzeug zu halten, damit Sie Hände und lose Kleidung von beweglichen Teilen fernhalten können.
4. Bewegen Sie sich so weit vom Fahrzeug weg, bis Sie den maximal geplanten Betriebsabstand zum Fahrzeug erreicht haben.
5. Drehen Sie das Steuerrad von einer Seite zur anderen und betätigen Sie die Gaszufuhr, sowohl vorwärts als auch rückwärts, und achten Sie darauf, ob Sie irgendein unregelmäßiges Verhalten bemerken.
6. Wenn ein unregelmäßiges Verhalten auftritt, dürfen Sie das Fahrzeug NICHT zum Einsatz bringen. Wenden Sie sich in diesem Fall an den Kundendienst.

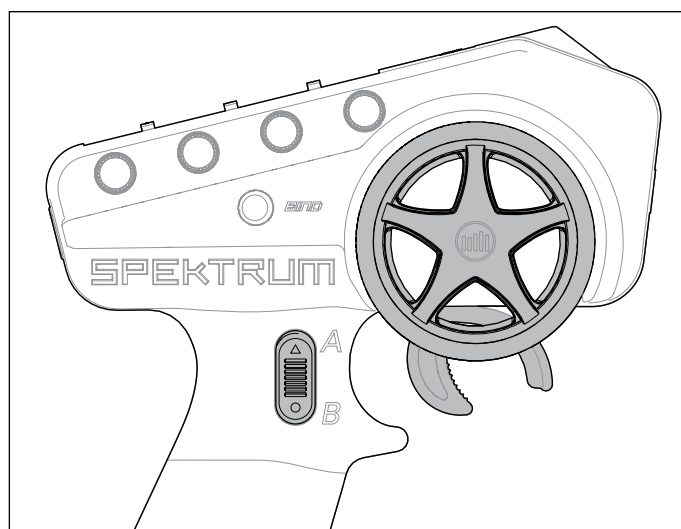


VERWENDEN DES GRABGETRIEBES

Der Capra mit Achse umfasst ein Grabgetriebe, mit dem die Hinterachse gesperrt werden kann, während sich die Vorderräder noch drehen. Die Nutzung dieser Funktion erfolgt in engen Bereichen, um das Fahrzeug enger als mit einem normalen Vierradantrieb zu wenden oder die Aufhängung bei Bedarf vorzuspannen.

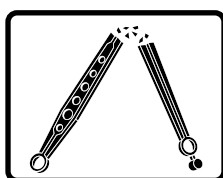
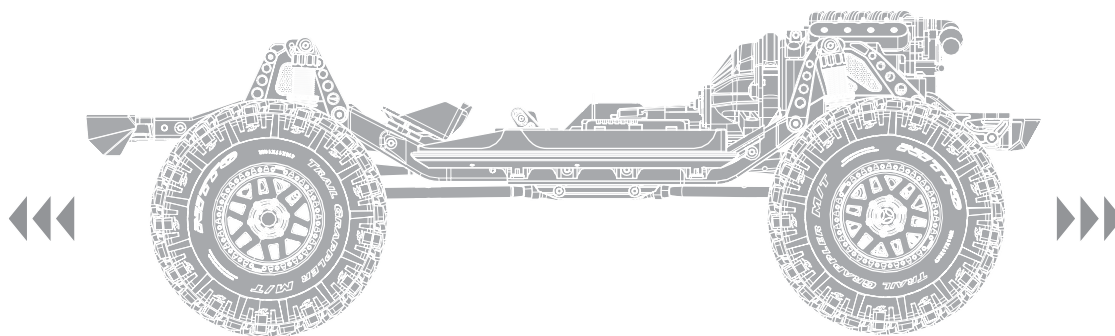
Verwendung der Grabfunktion:

1. Die Taste Kanal 3 B auf dem Sender gedrückt halten. Die Grabfunktion wird aktiviert und sperrt die Hinterachse. Die Taste B solange gedrückt halten, wie die Grabfunktion aktiviert sein soll.
2. Die Gaszufuhr erhöhen und das Steuerrad nach links oder rechts drehen, um das Fahrzeug eng zu wenden.
3. Die Taste Kanal 3 B zum Deaktivieren der Grabfunktion loslassen.

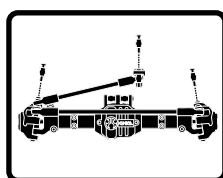


FAHRZEUGWARTUNG

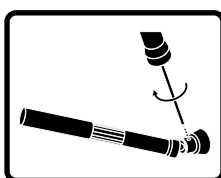
Genau wie bei einem richtigen Auto oder LKW muss Ihr RC-Fahrzeug regelmäßig gewartet werden, um eine hohe Leistungsfähigkeit zu gewährleisten. Vorbeugende Wartung hilft auch, unnötige Ausfälle zu vermeiden, die zu kostspieligen Reparaturen führen können. Nachfolgend finden Sie einige Vorschläge zur ordnungsgemäßen Wartung Ihres Fahrzeugs.



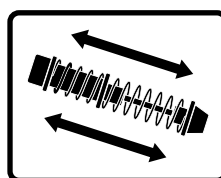
Ersetzen Sie alle erkennbaren gebogenen oder gebrochenen Teile



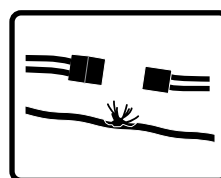
Überprüfen Sie den Verschleiß der Kugelgelenke an den Lenkgliedern und Aufhängungen (ggf. austauschen)



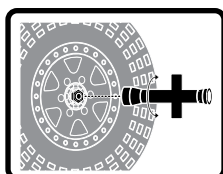
Die Einstellung der Schrauben für die Antriebswelle prüfen und ggf. Gewinnesicherung anbringen



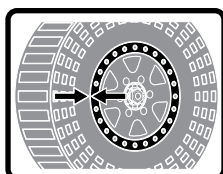
Die Stoßdämpfer auf reibungslosen, gedämpften Betrieb prüfen



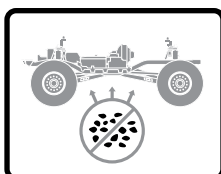
Überprüfen, ob lose Verbindungen oder ausgefranste Kabel vorhanden sind



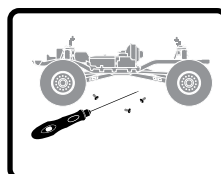
Die Radmuttern auf festen Sitz prüfen



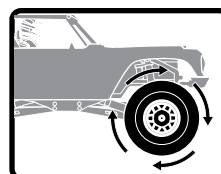
Sicherstellen, dass die Radflanschen noch fest über den gesamten Umfang der Felge verbunden sind



Die Karosserie frei von Schmutz und Ablagerungen halten



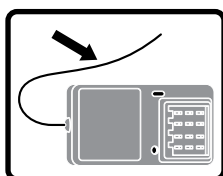
Die Karosserie auf lose Schrauben überprüfen, insbesondere die Schrauben für Achsschenkel, C-Naben und Achsausgänge



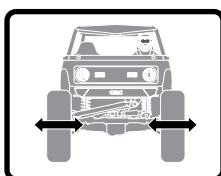
Überprüfen des Antriebsstrangs auf einen reibungslosen, bindungsfreien Betrieb



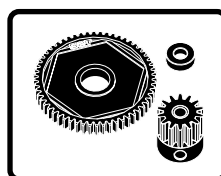
Ggf. die Gleitkupplung auf ihre einwandfreie Funktion überprüfen



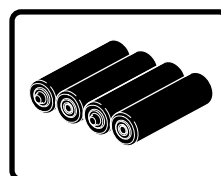
Die Empfängerantenne auf Beschädigungen prüfen



Die Lenkfunktion auf eine mögliche Bindung überprüfen



Überprüfen des Stirnrads und der Ritzelräder auf Beschädigungen



Die Sender-Akkus ersetzen, wenn der Sender dies, wie im Abschnitt Senderfunktionen beschrieben, anzeigt

SPEKTRUM EMPFÄNGER/GESCHWINDIGKEITSREGLER-KOMBINATION

BETRIEB

1. Den Sender einschalten.
2. Den Empfänger einschalten.
3. Die grüne LED auf dem Empfänger leuchtet auf, wenn er mit dem Sender verbunden ist.
4. Nach dem Betrieb den Akku vom Geschwindigkeitsregler/Empfänger trennen.

FAILSAFE

Im unwahrscheinlichen Fall, dass die Funkverbindung während des Betriebs abbricht, so wird 2-1-den Gaskanal in die Position „Neutral“ (Gas aus) bringen. Wird 2-in-1 vor dem Einschalten des Senders eingeschaltet, so erfolgt der Übergang in den Failsafe-Modus und Gas bleibt ausgeschaltet. Wird der Sender eingeschaltet, wird die normale Steuerung wieder aufgenommen.

LED-ANZEIGEN

Nach dem Einschalten des Geschwindigkeitsreglers, blinkt die rote LED und der Motor gibt eine Reihe von Pieptönen aus, um den Status anzuzeigen. Die Anzahl der Töne gibt Folgendes an: (1) Der Geschwindigkeitsregler ist in Betrieb, (2) der Akku-Modus wurde erkannt und (3) der Geschwindigkeitsregler befindet sich in einem einsatzbereiten Zustand.

FUNKTION	STATUS DER ROTEN LED	MOTORISIGNAL
Geschwindigkeitsregler in Betrieb	Schnelles Blinken	4 sich ändernde Töne
Ni-MH/Ni-CD-Akku	1-maliges Blinken	1 kurzer Ton
2S Li-Po-Akku	2-maliges Blinken	2 kurze Pieptöne
3S Li-Po-Akku	3-maliges Blinken	3 kurze Pieptöne
Geschwindigkeitsregler bereit Kein Sendersignal	2-maliges kurzes Blinken Rot blinkt wiederholend	2 aufsteigende Töne Absteigende Töne wiederholend

BETRIEB	LED-STATUS
Vorwärts	
Teilweise Gaszufuhr	Durchgängig grün/rot blinkt
Vollgas	Grün und rot durchgängig
Rückwärts	
Teilweise Gaszufuhr	Durchgängig grün/rot blinkt
Vollgas	Grün und rot durchgängig
Bremsen	
Teilweise	Durchgängig grün/rot blinkt
Vollständig	Grün und rot durchgängig
Stopp	Durchgängig grün
Akku Niederspannung oder Kein Signal	Rot blinkt
Überhitzung	Grün blinkt
Überstromschutz	Grün und rot blinken dreifach

KALIBRIERUNG VON GESCHWINDIGKEITSREGLER UND SENDER

Die mitgelieferte Kombination aus Geschwindigkeitsregler/Empfänger kalibriert sich beim Einschalten automatisch. Das nachfolgende Verfahren befolgen, um die korrekte Kalibrierung zwischen Sender und Geschwindigkeitsregler/Empfänger zu garantieren.

1. Einen voll aufgeladenen Akku mit dem Geschwindigkeitsregler/Empfänger verbinden. Sicherstellen, dass sich der Stromschalter in der Position „OFF“ [Aus] befindet.
2. Den Sender einschalten. Sicherstellen, dass Gas nicht umgekehrt, Gastrimmung auf Neutral und der Gasknüppelweg bei 100 % ist.
3. Die Gaszufuhr ist auf Neutral, den Geschwindigkeitsregler/Empfänger einschalten.
4. Den Gasauslöser und die Trimmung für mindestens 3 Sekunden auf Neutral belassen. Der Geschwindigkeitsregler/Empfänger kalibriert den Gaszufuhrbereich nach 3 Sekunden automatisch.
5. Die LED wird blinken und der Motor gibt einen Piepton aus, um den ausgewählten Akku-Modus anzuzeigen.
6. Ein langes Blinken der LED und ein langer Piepen zeigen an, dass der Geschwindigkeitsregler funktionsbereit ist.

ÜBERTRAGUNGSVERHÄLTNIS

TABELLE DER STIRNRAD-/ZAHNRADÜBERSETZUNG – LCX-GETRIEBE

	12	13	14	15	16	17	18
Niedrige Drehzahl (Standard)	58,1	49,2	45,6	42,6	39,4	37,6	35,5
Hohe Drehzahl (optional)	39,8	36,5	31,3	29,2	27,3	25,7	24,3

SPEZIFIKATIONEN

Typ	Wasserdichter DSMR-Geschwindigkeitsregler/Empfänger 2-in-1 mit SMART-Telemetrie
Abmessungen (L x B x H)	54 mm x 33,5 mm x 20,5 mm
Antennenlänge	31 mm
Kanäle	4 (Kein Gas-Servoausgang)
Gewicht	68 g
Band	2404 MHz – 2476 MHz
Servo-Ausgangsleistung	6 V bis zu 3 A, mit Hilfsstecker der Beleuchtung genutzt
Telemetriefunktionen	Akku-Spannung, Strom, Temp. Geschwindigkeitsregler, Akku-Daten (mit SMART-Akku)
Akku-Eingangsstecker	IC3 (EC3-kompatibel)
Spannungsbereich	2–3S Li-Po*/5–9S NiMH
Max. Strom	40 A kontinuierlich/180 A Stoß
Motorstecker	3,5 mm rund

*Die Standardeinstellung für die Niedrigtrennschaltung ist Li-Po. Die optionale Dynamite-Programmkarte (DYNS3005) ist zum Ändern der Einstellungen der Akkutypen erforderlich.

PROBLEMLÖSUNG

PROBLEM	MÖGLICHE URSACHE	LÖSUNG
Das System verbindet sich nicht	Der Sender und der Empfänger sind zu nah aneinander	Den Sender 2,44 bis 3,66 m vom Empfänger entfernt verschieben
	Sie sind in der Nähe von Metallobjekten	In einen Bereich mit weniger Metall gehen
	Der Empfänger ist an einen anderen Modellspeicher gebunden	Sicherstellen, dass der korrekte Modellspeicher im Sender aktiv ist
	Der Sender wurde in den Bindungsmodus versetzt und ist nicht länger mit dem Empfänger gebunden	Den Sender und Empfänger erneut binden und dann erneut kalibrieren
Der Empfänger schaltet sich in Failsafe, obwohl er sich in geringer Entfernung zum Sender befindet	Auf Schäden an der Empfängerantenne prüfen	Sicherstellen, dass die Empfängerantenne geschützt und so hoch wie praktikabel positioniert ist Empfänger ersetzen oder den Horizon-Kundendienst kontaktieren
Der Empfänger reagiert während des Betriebs nicht mehr	Niedrige Empfänger-Akkuspannung. Ist die Akku-Spannung niedrig, kann sie kurzzeitig unter 3,5 V fallen und so einen Spannungsabfall im Empfänger verursachen, sich dann erneut verbinden	Den Akku von Empfänger oder Fahrzeug aufladen. Die Spektrum-Empfänger erfordern für den Betrieb mindestens 3,5 V
	Lose oder beschädigte Kabel oder Stecker zwischen Akku und Empfänger	Die Kabel und Verbindungen zwischen Akku und Empfänger überprüfen. Kabel und/oder Stecker reparieren oder ersetzen
Fahrzeug bewegt sich nicht	Die Akkus sind nicht richtig in den Sender eingesetzt	Sicherstellen, dass die Sender-Akkus richtig eingesetzt sind
	Schwacher oder kein Akku im Fahrzeug	Einsetzen eines neu aufgeladenen Fahrzeug-Akkus
	Beschädigter Motor	Motor ersetzen
	Ausgefranzte oder gebrochene Kabel	Jedes beschädigte Kabel ersetzen
Schaden an/Verlust der Fahrzeugsteuerung	Geschwindigkeitsregler wird durch Hitzeschutzschaltung abgeschaltet	Den Geschwindigkeitsregler vollständig abkühlen lassen
	Unsachgemäße Positionierung der Antenne	Sicherstellen, dass die Senderantenne nicht blockiert ist und die Empfängerantenne richtig positioniert ist
	Schwacher oder kein Akku im Sender oder Fahrzeug	Einsetzen eines neu aufgeladenen Fahrzeug- oder Sender-Akkus
	Neutral- oder Trimmposition ist falsch	Steuertrimmung ausrichten
Steuer- und/oder Gaszufuhrfunktion ist vertauscht	Empfänger und/oder Akku nicht richtig angeschlossen	Alle Empfänger- und Akku-Verbindungen überprüfen
	Der Servo-Verfahrweg ist umgekehrt am Sender	Den Servoumkehrschalter des Senders in die richtige Position bringen
Geschwindigkeitsregler EIN – Keine Motorfunktion, hörbare Töne oder LED	Motorkabel sind nicht ordnungsgemäß verbunden	Überprüfen aller Motorkabel auf korrekte Polarität und sichere Verbindung
	Akku-/Verbindungsproblem	Akku aufladen/ersetzen. Alle Verbindungen sichern
	Beschädigter Geschwindigkeitsregler/Schalter	Geschwindigkeitsregler-Schalter/Geschwindigkeitsregler reparieren/ersetzen
Motor – Stoppt und LED blinkt	Beschädigter Motor	Reparieren/ersetzen
	Verpolungsschutz	Wenn die Geschwindigkeitsregler-LED blinkt, Akku laden/ersetzen
Motor – Beschleunigt ungleichmäßig	Überhitzungsschutz	Wenn die grüne LED blinkt, den Geschwindigkeitsregler/Motor abkühlen lassen, Konfiguration oder Übersetzung ändern, damit Überhitzung vermieden wird
	Akku-Problem	Beschädigte Kabel reparieren/Akkus ersetzen
	Falsche Getriebeübersetzung	Getriebe anpassen/ersetzen
Motor – Reagiert nicht kontinuierlich auf Gas	Verschlissener oder beschädigter Motor	Motor reparieren/ersetzen
	Geschwindigkeitsregler/Motor beschädigt	Verkabelung oder Motor/Geschwindigkeitsregler reparieren/ersetzen
Motor – Wird langsamer, stoppt aber nicht–	Falsche Kalibrierung von Sender/Geschwindigkeitsregler	Gasweg/andere Gaseinstellungen auf Sender/Geschwindigkeitsregler anpassen. Kalibrierungsverfahren des Geschwindigkeitsreglers wiederholen
Servolenkung – Funktioniert; Motor nicht in Betrieb	Beschädigter Motor	Motor unabhängig vom Fahrzeugsystem testen, bei Bedarf Motor reparieren/ersetzen
	Falsche Kalibrierung von Sender/Geschwindigkeitsregler	Gasweg/andere Gaseinstellungen auf Sender/Geschwindigkeitsregler anpassen. Kalibrierungsverfahren des Geschwindigkeitsreglers wiederholen
Steuerung/Motor – Funktioniert nicht	Niedrige Akkuspannung	Aufladen/ersetzen
	Falscher Modellspeicher auf Sender ausgewählt	Korrekte Modelleinstellungen auf dem Sender wählen, siehe Sender- und/oder Empfänger-Handbuch
	Empfänger nicht am Sender gebunden	Sender am Empfänger binden, siehe Sender- und/oder Empfänger-Handbuch
Fahrzeug – Funktioniert nicht auf voller Geschwindigkeit	Akku-Problem	Aufladen/ersetzen
	Falsche Kalibrierung von Sender/Geschwindigkeitsregler	Gasweg/andere Gaseinstellungen auf Sender/Geschwindigkeitsregler anpassen. Kalibrierungsverfahren des Geschwindigkeitsreglers wiederholen

INGESCHRÄNKTE GARANTIE

Warnung

Ein ferngesteuertes Modell ist kein Spielzeug. Es kann, wenn es falsch eingesetzt wird, zu erheblichen Verletzungen bei Lebewesen und Beschädigungen an Sachgütern führen. Betreiben Sie Ihr RC-Modell nur auf freien Plätzen und beachten Sie alle Hinweise der Bedienungsanleitung des Modells wie auch der Fernsteuerung.

Garantiezeitraum

Exklusive Garantie Horizon Hobby LLC (Horizon) garantiert, dass das gekaufte Produkt frei von Material- und Montagefehlern ist. Der Garantiezeitraum entspricht den gesetzlichen Bestimmungen des Landes, in dem das Produkt erworben wurde. In Deutschland beträgt der Garantiezeitraum 6 Monate und der Gewährleistungszeitraum 18 Monate nach dem Garantiezeitraum.

Einschränkungen der Garantie

- (a) Die Garantie wird nur dem Erstkäufer (Käufer) gewährt und kann nicht übertragen werden. Der Anspruch des Käufers besteht in der Reparatur oder dem Tausch im Rahmen dieser Garantie. Die Garantie erstreckt sich ausschließlich auf Produkte, die bei einem autorisierten Horizon Händler erworben wurden. Verkäufe an dritte werden von dieser Garantie nicht gedeckt. Garantieansprüche werden nur angenommen, wenn ein gültiger Kaufnachweis erbracht wird. Horizon behält sich das Recht vor, diese Garantiebestimmungen ohne Ankündigung zu ändern oder modifizieren und widerruft dann bestehende Garantiebestimmungen.
- (b) Horizon übernimmt keine Garantie für die Verkaufbarkeit des Produktes, die Fähigkeiten und die Fitness des Verbrauchers für einen bestimmten Einsatzzweck des Produktes. Der Käufer allein ist dafür verantwortlich, zu prüfen, ob das Produkt seinen Fähigkeiten und dem vorgesehenen Einsatzzweck entspricht.
- (c) Ansprüche des Käufers → Es liegt ausschließlich im Ermessen von Horizon, ob das Produkt, bei dem ein Garantiefall festgestellt wurde, repariert oder ausgetauscht wird. Dies sind die exklusiven Ansprüche des Käufers, wenn ein Defekt festgestellt wird.

Horizon behält sich vor, alle eingesetzten Komponenten zu prüfen, die in den Garantiefall einbezogen werden können. Die Entscheidung zur Reparatur oder zum Austausch liegt nur bei Horizon. Die Garantie schließt kosmetische Defekte oder Defekte, hervorgerufen durch höhere Gewalt, falsche Behandlung des Produktes, falscher Einsatz des Produktes, kommerziellen Einsatz oder Modifikationen irgendwelcher Art aus.

Die Garantie schließt Schäden, die durch falschen Einbau, falsche Handhabung, Unfälle, Betrieb, Service oder Reparaturversuche, die nicht von Horizon ausgeführt wurden aus.

Ausgeschlossen sind auch Fälle die bedingt durch (vii) eine Nutzung sind, die gegen geltendes Recht, Gesetze oder Regularien verstoßen haben. Rücksendungen durch den Käufer direkt an Horizon oder eine seiner Landesvertretung bedürfen der Schriftform.

Schadensbeschränkung

Horizon ist nicht für direkte oder indirekte Folgeschäden, Einkommensausfälle oder kommerzielle Verluste, die in irgendeinem Zusammenhang mit dem Produkt stehen verantwortlich, unabhängig ab ein Anspruch im Zusammenhang mit einem Vertrag, der Garantie oder der Gewährleistung erhoben werden. Horizon wird darüber hinaus keine Ansprüche aus einem Garantiefall akzeptieren, die über den individuellen Wert des Produktes hinaus gehen. Horizon hat keinen Einfluss auf den Einbau, die Verwendung oder die Wartung des Produktes oder etwaiger Produktkombinationen, die vom Käufer gewählt werden. Horizon übernimmt keine Garantie und akzeptiert keine Ansprüche für in der Folge auftretende Verletzungen oder Beschädigungen. Mit der Verwendung und dem Einbau des Produktes akzeptiert der Käufer alle aufgeführten Garantiebestimmungen ohne Einschränkungen und Vorbehalte.

Wenn Sie als Käufer nicht bereit sind, diese Bestimmungen im Zusammenhang mit der Benutzung des Produktes zu akzeptieren, werden Sie gebeten, das Produkt in unbenutztem Zustand in der Originalverpackung vollständig bei dem Verkäufer zurückzugeben.

Sicherheitshinweise

Dieses ist ein hochwertiges Hobby Produkt und kein Spielzeug. Es muss mit Vorsicht und Umsicht eingesetzt werden und erfordert einige mechanische wie auch mentale Fähigkeiten. Ein Versagen, das Produkt sicher und umsichtig zu betreiben kann zu Verletzungen von Lebewesen und Sachbeschädigungen erheblichen Ausmaßes führen. Dieses Produkt ist nicht für den Gebrauch durch Kinder ohne die Aufsicht eines Erziehungsberechtigten vorgesehen. Die Anleitung enthält Sicherheitshinweise und Vorschriften sowie Hinweise für die Wartung und den Betrieb des Produktes. Es ist unabdingbar, diese Hinweise vor der ersten Inbetriebnahme zu lesen und zu verstehen. Nur so kann der falsche Umgang verhindert und Unfälle mit Verletzungen und Beschädigungen vermieden werden.

Fragen, Hilfe und Reparaturen

Ihr lokaler Fachhändler und die Verkaufsstelle können eine Garantiebeurteilung ohne Rücksprache mit Horizon nicht durchführen. Dies gilt auch für Garantiereparaturen. Deshalb kontaktieren Sie in einem solchen Fall den Händler, der sich mit Horizon kurz schließen wird, um eine sachgerechte Entscheidung zu fällen, die Ihnen schnellst möglich hilft.

Wartung und Reparatur

Muss Ihr Produkt gewartet oder repariert werden, wenden Sie sich entweder an Ihren Fachhändler oder direkt an Horizon.

Rücksendungen / Reparaturen werden nur mit einer von Horizon vergebenen RMA Nummer bearbeitet. Diese Nummer erhalten Sie oder ihr Fachhändler vom technischen Service. Mehr Informationen dazu erhalten Sie im Serviceportal unter www.horizonhobby.de oder telefonisch bei dem technischen Service von Horizon.

Packen Sie das Produkt sorgfältig ein. Beachten Sie, dass der Originalkarton in der Regel nicht ausreicht, um beim Versand nicht beschädigt zu werden. Verwenden Sie einen Paketdienstleister mit einer Tracking Funktion und Versicherung, da Horizon bis zur Annahme keine Verantwortung für den Versand des Produktes übernimmt. Bitte legen Sie dem Produkt einen Kaufbeleg bei, sowie eine ausführliche Fehlerbeschreibung und eine Liste aller eingesendeten Einzelkomponenten. Weiterhin benötigen wir die vollständige

Garantie und Reparaturen

Garantieanfragen werden nur bearbeitet, wenn ein Originalkaufbeleg von einem autorisierten Fachhändler beiliegt, aus dem der Käufer und das Kaufdatum hervorgeht. Sollte sich ein Garantiefall bestätigen wird das Produkt repariert oder ersetzt. Diese Entscheidung obliegt einzig Horizon Hobby.

Kostenpflichtige Reparaturen

Liegt eine kostenpflichtige Reparatur vor, erstellen wir einen Kostenvorschlag, den wir Ihrem Händler übermitteln. Die Reparatur wird erst vorgenommen, wenn wir die Freigabe des Händlers erhalten. Der Preis für die Reparatur ist bei Ihrem Händler zu entrichten. Bei kostenpflichtigen Reparaturen werden mindestens 30 Minuten Werkstattzeit und die Rückversandkosten in Rechnung gestellt. Sollten wir nach 90 Tagen keine Einverständniserklärung zur Reparatur vorliegen haben, behalten wir uns vor, das Produkt zu vernichten oder anderweitig zu verwerten.

ACHTUNG: Kostenpflichtige Reparaturen nehmen wir nur für Elektronik und Motoren vor. Mechanische Reparaturen, besonders bei Hubschraubern und RC-Cars sind extrem aufwendig und müssen deshalb vom Käufer selbst vorgenommen werden.

10/15

GARANTIE UND SERVICE KONTAKTINFORMATIONEN

LAND DES KAUF	HORIZON HOBBY	TELEFON/E-MAIL ADRESSE	ADRESSE
Europäische Union	Horizon Technischer Service Sales: Horizon Hobby GmbH	service@horizonhobby.de +49 (0) 4121 2655 100	Hanskampring 9 D 22885 Barsbüttel, Germany

KONFORMITÄTSHINWEISE FÜR DIE EUROPÄISCHE UNION

CE EU KONFORMITÄTSERKLÄRUNG Axial SCX10 III Jeep Wrangler (AXI03003)

Horizon LLC erklärt hiermit, dass dieses Produkt konform zu den essentiellen Anforderungen der RED und EMC Direktive ist.

Eine Kopie der Konformitätserklärung ist online unter folgender Adresse verfügbar :

<http://www.horizonhobby.com/content/support-render-compliance>.

ANWEISUNGEN ZUR ENTSORGUNG VON ELEKTRO-UND ELEKTRONIK-ALTGERÄTEN FÜR BENUTZER IN DER EUROPÄISCHEN UNION



Dieses Produkt darf nicht zusammen mit anderem Abfall entsorgt werden. Stattdessen ist der Benutzer dafür verantwortlich, unbrauchbare Geräte durch Abgabe bei einer speziellen Sammelstelle für das Recycling von unbrauchbaren elektrischen und elektronischen Geräten zu entsorgen. Die separate Sammlung und das Recycling von unbrauchbaren Geräten zum Zeitpunkt der Entsorgung hilft, natürliche Ressourcen zu bewahren und sicherzustellen, dass Geräte auf eine Weise wiederverwertet werden, bei der die menschliche Gesundheit und die Umwelt geschützt werden. Weitere Informationen dazu, wo Sie unbrauchbare Geräte zum Recycling abgeben können, erhalten Sie bei lokalen Ämtern, bei der Müllabfuhr für Haushaltsmüll sowie dort, wo Sie das Produkt gekauft haben.

REMARQUE

Toutes les instructions, garanties et autres documents de garantie sont sujets à la seule discrétion de Horizon Hobby, LLC. Veuillez, pour une littérature produits bien à jour, visiter www.horizonhobby.com ou www.towerhobbies.com et cliquer sur l'onglet de support de ce produit.


SIGNIFICATION DE CERTAINS TERMES SPÉCIFIQUE

Les termes suivants sont utilisés dans l'ensemble du manuel pour indiquer différents niveaux de danger lors de l'utilisation de ce produit :

AVERTISSEMENT : Procédures qui, si elles ne sont pas suivies correctement, peuvent entraîner des dégâts matériels et des blessures graves OU engendrer une probabilité élevée de blessure superficielle.

ATTENTION : Procédures qui, si elles ne sont pas suivies correctement, peuvent entraîner des dégâts matériels ET des blessures graves.

REMARQUE : Procédures qui, si elles ne sont pas suivies correctement, peuvent entraîner des dégâts matériels ET éventuellement un faible risque de blessures.

 **AVERTISSEMENT** : Lisez la TOTALITÉ du manuel d'utilisation afin de vous familiariser avec les caractéristiques du produit avant de le faire fonctionner. Une utilisation incorrecte du produit peut entraîner sa détérioration, ainsi que des risques de dégâts matériels, voire de blessures graves. Ceci est un produit de loisirs sophistiqué. Il doit être manipulé avec prudence et bon sens et requiert des aptitudes de base en mécanique. Toute utilisation irresponsable de ce produit ne respectant pas les principes de sécurité peut provoquer des blessures, entraîner des dégâts matériels et endommager le produit. Ce produit n'est pas destiné à être utilisé par des enfants sans la surveillance directe d'un adulte. N'essayez pas de démonter le produit, de l'utiliser avec des composants incompatibles ou d'en améliorer les performances sans l'accord d'Horizon Hobby, LLC. Ce manuel comporte des instructions relatives à la sécurité, au fonctionnement et à l'entretien. Il est capital de lire et de respecter la totalité des instructions et avertissements du manuel avant l'assemblage, le réglage et l'utilisation, ceci afin de manipuler correctement l'appareil et d'éviter tout dégât matériel ou toute blessure grave.

14 ans et plus. Ceci n'est pas un jouet.

PRÉCAUTIONS ET AVERTISSEMENTS LIÉS À LA SÉCURITÉ

En tant qu'utilisateur de ce produit, il est de votre seule responsabilité de le faire fonctionner d'une manière qui ne mette en danger ni votre personne, ni de tiers et qui ne provoque pas de dégâts au produit lui-même ou à la propriété d'autrui.

Ce modèle est contrôlé par un signal radio, qui peut être soumis à des interférences provenant de nombreuses sources hors de votre contrôle. Ces interférences peuvent provoquer une perte momentanée de contrôle. Il est donc conseillé de garder une bonne distance de sécurité tout autour de votre modèle, ce qui aidera à éviter les collisions ou les blessures.

- Ne faites jamais fonctionner votre modèle lorsque les piles de l'émetteur sont faibles.
- Faites toujours fonctionner votre modèle dans une zone dégagée, à l'écart des voitures, de la circulation ou de personnes.
- Ne faites jamais et pour quelque raison que ce soit fonctionner votre modèle dans la rue ou dans des zones habitées.
- Respectez scrupuleusement les instructions et avertissements à cet effet ainsi que pour tous les équipements optionnels/complémentaires (chargeurs, packs de batteries rechargeables, etc.) que vous utilisez.
- Tenez tous les produits chimiques, les petites pièces et les composants électroniques hors de portée des enfants.
- Ne léchez ni ne mettez jamais en bouche quelque partie de votre modèle que ce soit, afin d'éviter tout risque de blessures graves, voire danger de mort.
- Faites bien attention lors de l'utilisation d'outils et lors de l'utilisation d'instruments coupants.
- Faites bien attention lors du montage, certaines pièces peuvent avoir des bords coupants.
- Après avoir utilisé votre modèle, NE touchez PAS à certaines de ces pièces telles que le moteur, le contrôleur électronique de vitesse et la batterie, car elles peuvent encore se trouver à des températures élevées. Vous risquez de vous brûler gravement en cas de contact avec elles.
- Ne mettez ni vos doigts ni aucun autre objet entre des pièces en rotation ou en mouvement, vous risqueriez des dommages ou des blessures graves.
- Allumez toujours votre émetteur avant d'allumer le récepteur du véhicule. Éteignez toujours le récepteur avant d'éteindre votre émetteur.
- Veillez à ce que les roues du modèle ne soient pas en contact avec le sol lorsque vous contrôlez le fonctionnement de votre équipement radio.


 **AVERTISSEMENT CONTRE LES PRODUITS CONTREFAITS** : Toujours acheter chez un revendeur officiel Horizon hobby pour être sûr d'avoir des produits authentiques. Horizon Hobby décline toute garantie et responsabilité concernant les produits de contrefaçon ou les produits se disant compatibles Spektrum.

TABLE DES MATIÈRES

Véhicule étanche avec composants électroniques étanches.....	27	Entretien du véhicule.....	33
Contenu de la boîte.....	28	Combinaison récepteur/ESC Spektrum.....	34
Matériel nécessaire.....	28	Étalonnage du variateur ESC et de l'émetteur.....	34
Outils recommandés.....	28	Rapports d'engrenage.....	34
Liste de contrôle avant de commencer.....	29	Guide de dépannage.....	35
Pièces du véhicule.....	29	Garantie et réparations.....	36
Chargez la batterie du véhicule.....	30	Informations de contact pour garantie et réparation.....	36
Installation des piles de l'émetteur.....	30	Information IC.....	37
Fonctions de l'émetteur.....	30	Informations de conformité pour l'Union européenne.....	37
Ajustement du support de batterie du véhicule.....	31	Vues éclatées.....	50
Installez la batterie du véhicule.....	31	Liste des pièces.....	57
Affectation de votre émetteur et votre récepteur.....	32	Pièces facultatives.....	60
Vérification de la portée du système radio.....	32	Composants électroniques.....	60
Utiliser la transmission DIG.....	32		

VÉHICULE ÉTANCHE AVEC COMPOSANTS ÉLECTRONIQUES ÉTANCHES

Votre nouveau véhicule Horizon Hobby a été conçu et fabriqué en combinant des composants étanches et des composants résistants à l'eau vous permettant d'utiliser ce produit dans plusieurs "Conditions Humides" incluant les flaques d'eau, les ruisseaux, l'herbe humide, la neige et même la pluie.

Bien que le véhicule possède une grande résistance vis-à-vis de l'eau, il n'est pas entièrement étanche et votre véhicule ne doit PAS être utilisé comme un sous-marin. Les différents composants électroniques installés sur le véhicule, comme le contrôleur de vitesse électronique (ESC), le ou les servo(s) et le récepteur sont étanches, cependant la plupart des composants mécaniques résistent aux projections d'eau mais ne doivent pas être immergés.

Les pièces métalliques comme les roulements, les axes de suspension, les vis et les écrous ainsi que les contacts des prises des câbles électriques sont exposés à l'oxydation si vous n'effectuez un entretien supplémentaire après avoir utilisé le produit dans des conditions humides. Pour conserver à long terme les performances de votre véhicule et conserver la garantie, les procédures décrites dans la section « Maintenance en conditions humides » doivent être régulièrement effectuées si vous roulez dans des conditions humides. Si vous ne souhaitez pas effectuer la maintenance supplémentaire requise, vous ne devez pas utiliser le véhicule dans ces conditions.

ATTENTION : Un défaut de soin durant l'utilisation et un non-respect des consignes suivantes peut entraîner un dysfonctionnement du produit et/ou annuler la garantie.

PRÉCAUTIONS GÉNÉRALES

- Lisez avec attention les procédures de maintenance en conditions humides et vérifiez que vous possédez tous les outils nécessaires pour effectuer la maintenance du véhicule.
- Toutes les batteries ne peuvent être utilisées en conditions humides. Consultez la documentation du fabricant de votre batterie avant utilisation. Des précautions doivent être appliquées quand vous utilisez des batteries Li-Po en conditions humides.
- La majorité des émetteurs ne résiste pas aux projections d'eau. Consultez le manuel ou le fabricant de votre émetteur avant utilisation.
- N'utilisez jamais votre émetteur ou votre véhicule sous un orage.
- N'utilisez JAMAIS votre véhicule où il pourrait entrer en contact avec de l'eau salée (Eau de mer ou flaque d'eau sur une route salée), ou de l'eau polluée ou contaminée.

- Une petite quantité d'eau peut réduire la durée de vie du moteur s'il n'est pas certifié étanche ou résistant aux projections d'eau. Si le moteur devient excessivement humide, appliquez légèrement les gaz pour évacuer le maximum d'eau du moteur. Faire tourner à un régime élevé un moteur humide causerait son endommagement rapide.
- L'utilisation en conditions humides peut réduire la durée de vie du moteur. La résistance de l'eau cause des efforts plus importants. Adaptez le rapport de transmission en utilisant un pignon plus petit ou une couronne plus grande. Cela augmentera le couple (et la durée de vie du moteur) quand vous roulez dans la boue, dans les flaques profondes ou n'importe quelle autre condition humide, cela augmente la charge appliquée au moteur.

MAINTENANCE EN CONDITIONS HUMIDES

- Evacuez l'eau collectée par les pneus en les faisant tourner à haute vitesse. Retirez la carrosserie, retournez le véhicule et donnez des courts coups d'accélérateur plein gaz jusqu'à ce que l'eau soit retirée.



ATTENTION: Tenez toujours éloigné des parties en rotation, les mains, les doigts, les outils ou autre objet lâches/pendants.

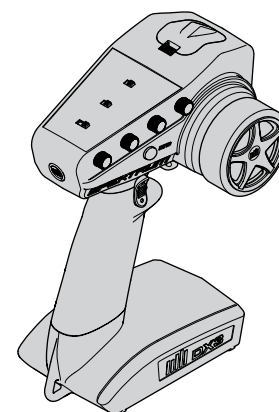
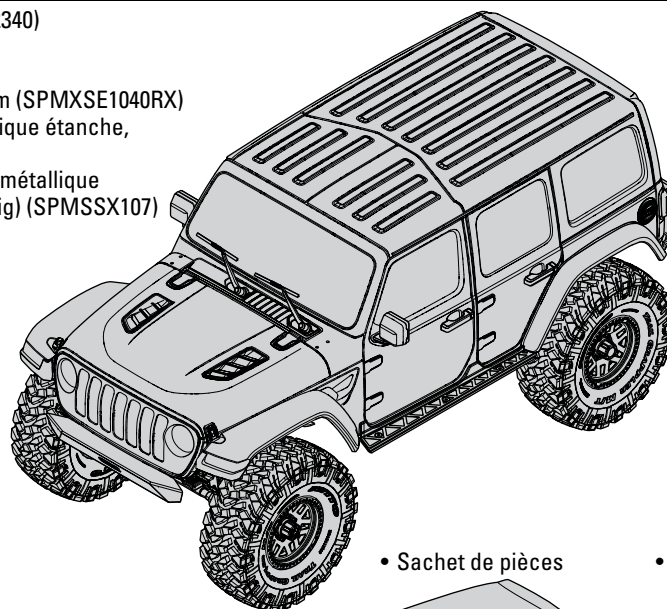
- Retirez la batterie et séchez ses contacts. Si vous possédez un compresseur d'air ou une bombe d'air compressé, chassez toute l'humidité qui se trouve dans la prise.
- Retirez les roues du véhicule et rincez-les à l'aide d'un arrosoir pour retirer la boue et la poussière. Évitez de rincer les roulements et la transmission.

REMARQUE : N'utilisez jamais un nettoyeur haute-pression pour nettoyer le véhicule.

- Utilisez un compresseur d'air ou une bombe d'air compressée pour sécher le véhicule et vous aider à retirer l'eau logée dans les renforcements et les recoins.
- Vaporisez du lubrifiant ou de l'anti-humidité sur les roulements, les vis ou autres pièces métalliques. Ne pas en vaporiser sur le moteur.
- Laissez le véhicule sécher avant de le stocker. L'eau (et l'huile) peuvent continuer à s'écouler durant quelques heures.
- Augmentez la fréquence d'inspection, de démontage et de lubrification des éléments suivants:
 - Les axes de roues et roulements des fusées avant et arrière.
 - Tous les boîtiers de transmissions, pignons et différentiels.
 - Le moteur—nettoyez-le à l'aide d'un aérosol de nettoyant moteur et lubrifiez les paliers à l'aide de lubrifiant pour roulements.

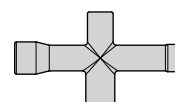
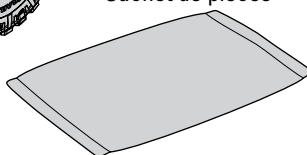
CONTENU DE LA BOÎTE

- Émetteur 2,4 GHz DX3 Spektrum (SPM2340)
- RTR Jeep Wrangler SCX10 III
 - Moteur électrique 35T (AX31312)
 - Combinaison récepteur/ESC Spektrum (SPMXSE1040RX)
 - Servo de surface à engrenage métallique étanche, 23T (SPMS614)
 - Micro servo de surface à engrenage métallique analogique SX107 (pour la fonction Dig) (SPMSSX107)



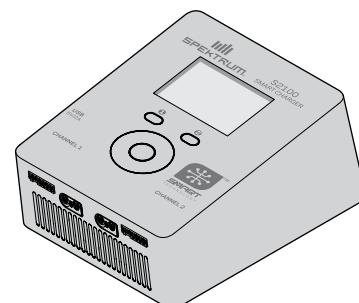
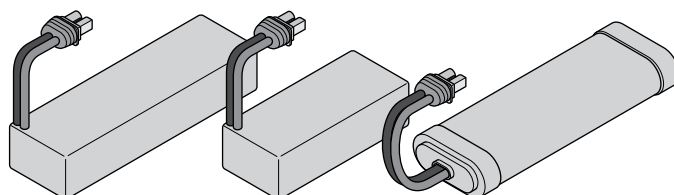
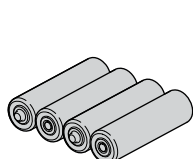
• Sachet de pièces

• Clé cruciforme

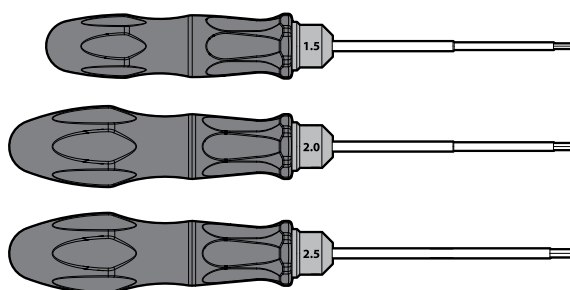


MATÉRIEL NÉCESSAIRE

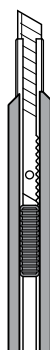
- (4) piles alcalines AA
- Batterie LiPo shorty ou standard 2-3S
OU
- Batterie NiMH/NiCd à 5-9 cellules
(Connecteur IC3 requis)
- Chargeur de batterie compatible avec la batterie de véhicule choisie



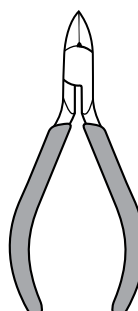
OUTILS RECOMMANDÉS



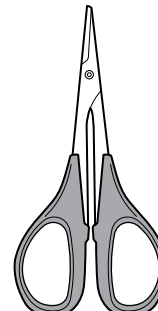
• Clés Allen
(1,5, 2,0, 2,5 mm)



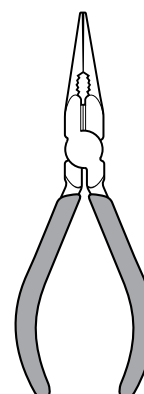
• Couteau
hobby



• Pince
coupante



• Ciseaux
courbes



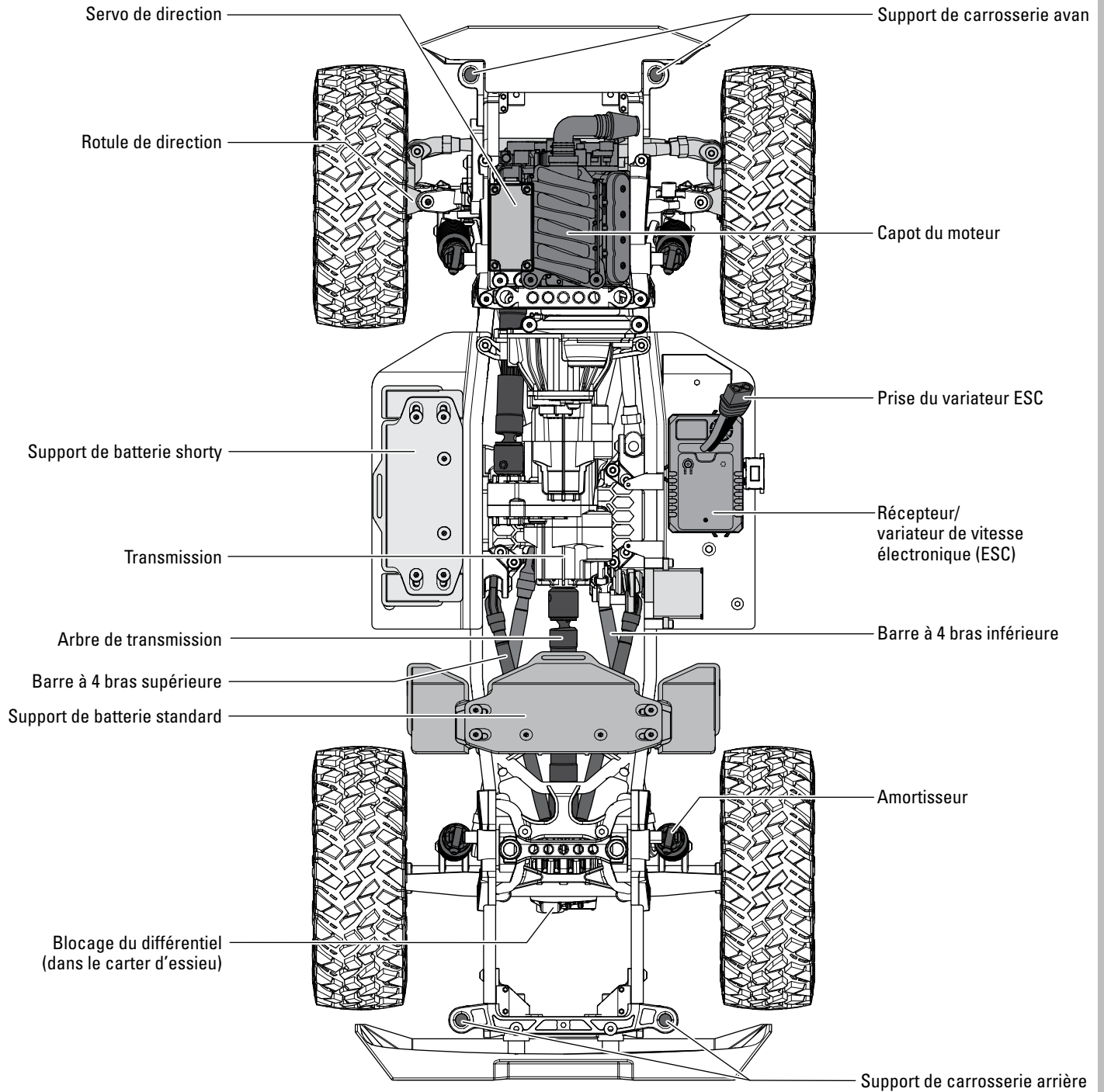
• Pince à bec long

LISTE DE CONTRÔLE AVANT DE COMMENCER

Lisez le manuel
Familiarisez-vous avec le véhicule et ses composants
Vérifiez que toutes les vis, en particulier les vis de fixation de l'arbre de transmission, ont été bien serrées en usine
Chargez la batterie du véhicule
Installez 4 piles AA dans l'émetteur

Mettez l'émetteur en marche
Installez la batterie du véhicule dans le véhicule
Contrôlez le bon fonctionnement des gaz et de la direction
Vérifiez la portée de votre système radio
Manœuvrez le véhicule, mettez-vous au défi, et AMUSEZ-VOUS !
Effectuez l'entretien nécessaire sur le véhicule

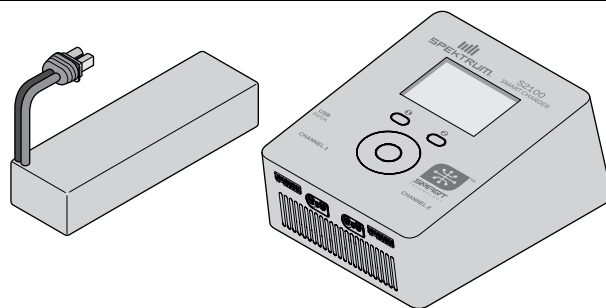
PIÈCES DU VÉHICULE



CHARGEZ LA BATTERIE DU VÉHICULE

Suivez les instructions du fabricant de votre chargeur pour charger correctement la batterie du véhicule.

ATTENTION : Utilisez uniquement des chargeurs conçus pour charger le type de batterie choisi. L'utilisation d'un chargeur incompatible ou de paramètres de chargeur inadaptés peut entraîner un incendie ou une explosion de la batterie.



INSTALLATION DES PILES DE L'ÉMETTEUR

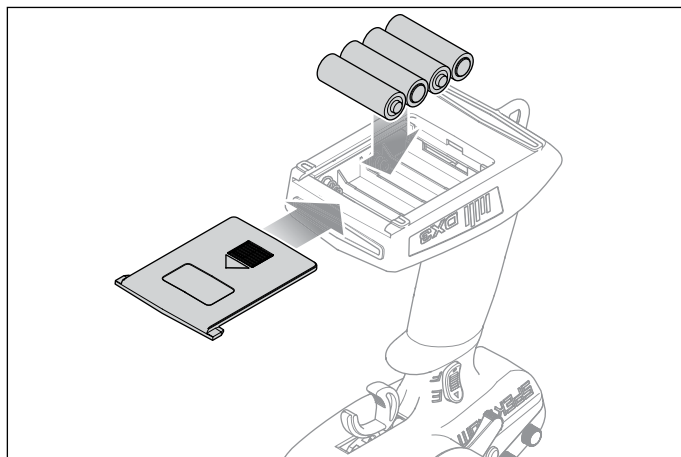
Cet émetteur nécessite 4 piles AA.

1. Retirez le couvercle du compartiment à piles.
2. Insérez les piles comme sur l'illustration.
3. Remplacez le couvercle.

ATTENTION : Ne retirez jamais les piles de l'émetteur lorsque le modèle est sous tension. Une perte de contrôle du modèle, des dommages ou des blessures peuvent survenir.

ATTENTION: Si vous utilisez des piles rechargeables, chargez seulement des piles rechargeables. La charge de piles non rechargeables peut causer un incendie, entraînant des blessures corporelles et/ou des dégâts matériels.

ATTENTION: Risque d'explosion si la batterie est remplacée par un type de batterie non conforme. Éliminez les batteries usagées selon les réglementations nationales.



FONCTIONS DE L'ÉMETTEUR

A/B. BOUTON CANAL 3 (FONCTION DIG)

C. GAZ/FREIN

D. VOLANT

E. STEERING RATE (TAUX DE DIRECTION)

Ajuste le point d'extrémité de la direction

F. BRAKE RATE (TAUX DE FREINAGE)

Ajuste le point d'extrémité du freinage.

G. STEERING TRIM (COMPENSATEUR DE DIRECTION)

Ajuste le point central de direction. En général, le compensateur de direction est ajusté jusqu'à ce que le véhicule aille droit.

H. THROTTLE TRIM (COMPENSATEUR DES GAZ)

Ajuste le point neutre des gaz

I. INDICATEUR DU NIVEAU DE LA BATTERIE SMART

J. INVERSION DU SERVO

Pour inverser le canal des gaz (TH) ou de la direction (ST), faites basculer la position du commutateur correspondant : « N » est pour normal, « R » est pour inversé.

K. THROTTLE LIMIT (LIMITE DES GAZ)

Limite la sortie des gaz à 50/75/100 %

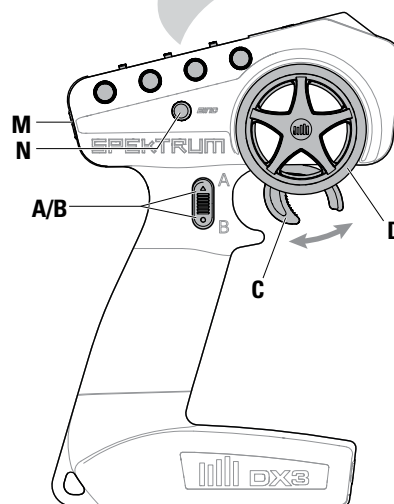
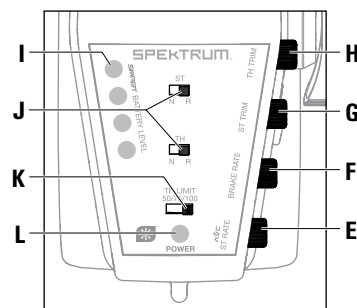
Sélectionnez 50 % ou 75 % pour les pilotes moins expérimentés ou lorsque vous pilotez le véhicule dans une petite zone.

L. DEL D'ALIMENTATION

- **Témoins en rouge fixe :** indique la connectivité radio et une alimentation de batterie appropriée
- **Témoins clignotant en rouge :** indique que la tension de la batterie est à un niveau extrêmement bas. Remplacez les batteries

M. BOUTON D'ALIMENTATION

N. BOUTON BIND (AFFECTATION)

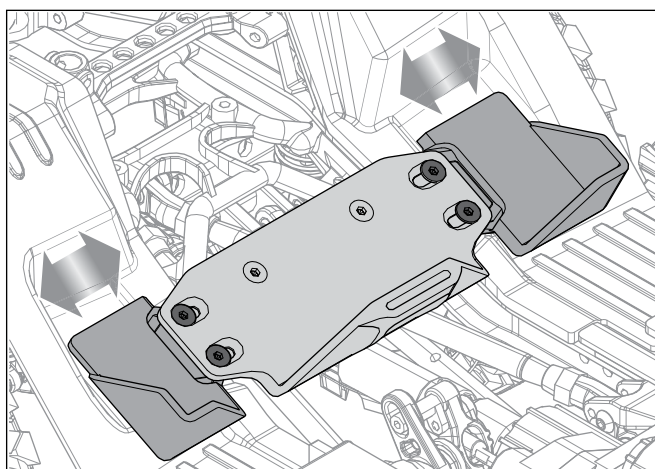


AJUSTEMENT DU SUPPORT DE BATTERIE DU VÉHICULE

Les supports de batterie peuvent être adaptés à une grande variété de tailles de batterie. L'illustration montre le support de batterie arrière. Le support de batterie latéral s'ajuste de la même manière.

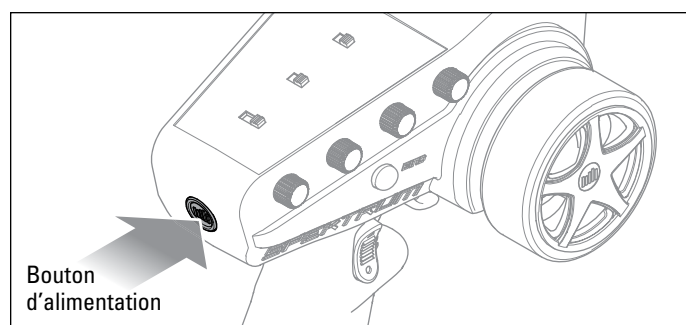
Pour ajuster le support de batterie :

1. Desserrez les quatre vis à tête plate montrées dans l'illustration.
2. Faites glisser les extrémités du support de batterie vers l'intérieur ou l'extérieur afin de l'adapter à la batterie souhaitée.
3. Serrez les quatre vis à tête plate. Ne serrez pas trop les vis.

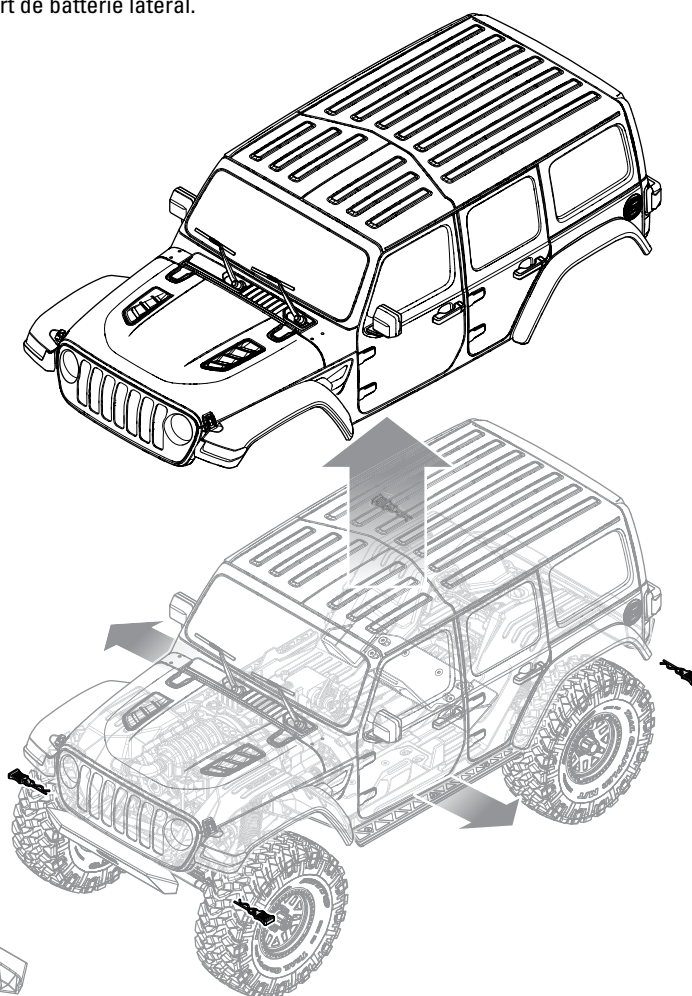
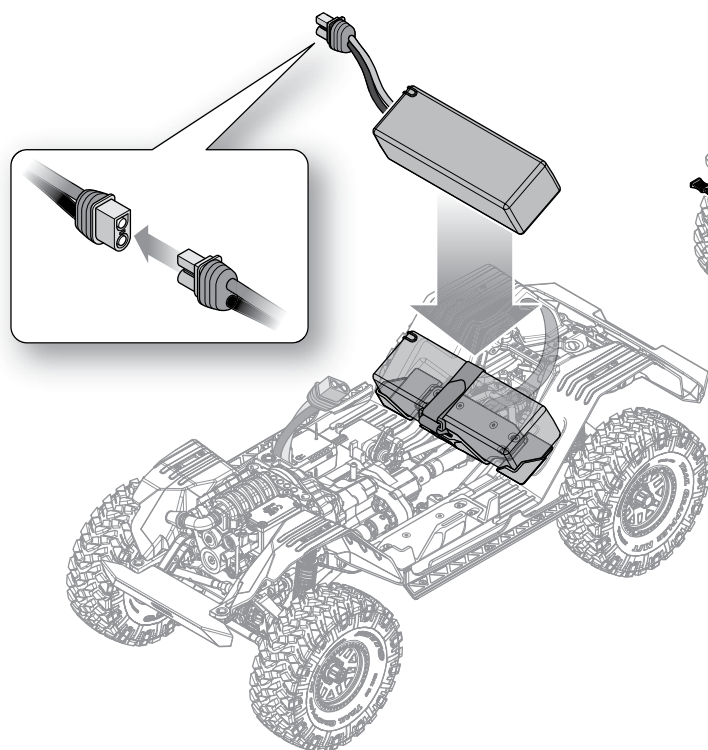


INSTALLEZ LA BATTERIE DU VÉHICULE

Les étapes suivantes montrent l'installation d'une batterie de taille standard dans le support de batterie arrière du véhicule. Si vous souhaitez utiliser une batterie de type shorty, elle doit être installée dans le support de batterie latéral.



1. Allumez l'émetteur.
2. Retirez les quatre attaches de la carrosserie situées sous la carrosserie.
3. Tirez légèrement vers l'extérieur la partie inférieure des côtés de la carrosserie tout en la soulevant pour la détacher du châssis.



4. Installez la batterie dans le support de batterie. La longueur du support de batterie peut être ajustée en fonction de la batterie tel que décrit dans la partie précédente.
5. Fixez la batterie sur son support à l'aide de la fermeture autoagrippante.
6. Raccordez la batterie au variateur ESC.
7. Allumez le récepteur/variateur ESC.
8. Remettez en place la carrosserie et ses quatre attaches sur le châssis.

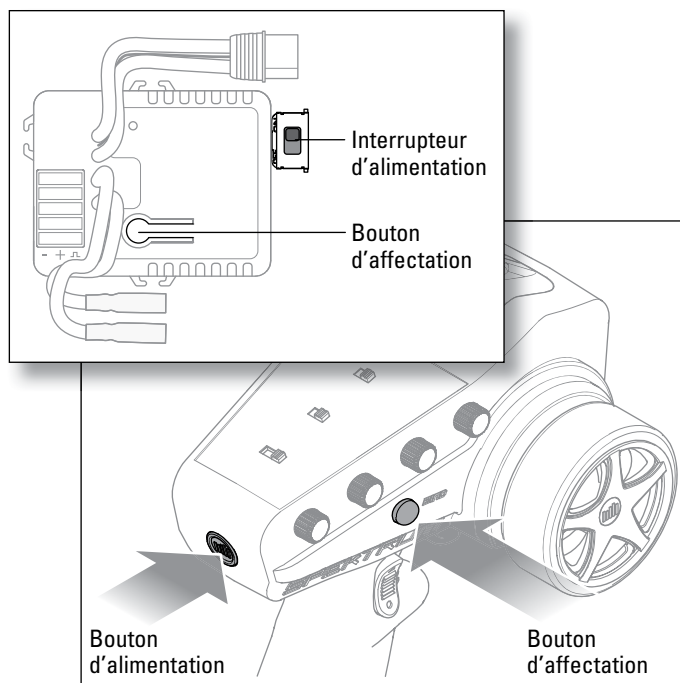
REMARQUE : éteignez le variateur ESC et débranchez toujours la batterie du variateur ESC avant d'éteindre l'émetteur. Le non-respect de cette consigne peut entraîner une perte de contrôle du véhicule.

AFFECTATION DE VOTRE ÉMETTEUR ET VOTRE RÉCEPTEUR

L'affectation est le processus de programmation du récepteur qui vise à reconnaître le code GUID (identificateur global unique) d'un émetteur unique spécifique. L'émetteur et le récepteur sont affectés en usine. Si vous devez les réaffecter, suivez les instructions ci-dessous.

1. Branchez une batterie complètement chargée sur le variateur ESC/récepteur.
2. Débranchez le fil du servo Dig du récepteur.
3. Maintenez enfoncé le bouton d'affectation sur le récepteur.
4. Allumez le récepteur. La DEL rouge clignote, indiquant que le récepteur est en mode affectation. Relâchez le bouton d'affectation dès que la DEL rouge commence à clignoter. Le moteur émettra une série de tonalités descendantes continues jusqu'à ce que l'affectation soit terminée.
5. Avec la commande des gaz en position neutre, maintenez enfoncé le bouton d'affectation de l'émetteur tout en l'allumant pour le mettre en mode affectation. La commande d'accélération doit être en position neutre pour régler la sécurité intégrée.
6. Le processus d'affectation est terminé lorsque la DEL verte du récepteur reste allumée.
7. Connectez le câble du servo Dig au récepteur.

Vous devez réaffecter lorsque différentes positions de sécurité intégrée sont nécessaires, par ex. lorsque l'inversion des gaz ou de la direction a été modifiée.



VÉRIFICATION DE LA PORTÉE DU SYSTÈME RADIO

Contrôlez le système radio pour vous assurer de son bon fonctionnement et de sa portée adaptée avant d'utiliser le véhicule.

1. Allumez l'émetteur.
2. Connectez la batterie dans le véhicule.
3. Demandez à un ami de tenir le véhicule tout en gardant les mains et les vêtements amples à l'écart des pièces en mouvement.
4. Éloignez-vous jusqu'à la distance maximale prévue d'utilisation du véhicule.
5. Tournez le volant de chaque côté et faites fonctionner l'accélérateur en marche avant et arrière, en vous assurant qu'il n'y a aucun comportement irrégulier.
6. Si vous constatez un comportement irrégulier, NE PAS utiliser le véhicule. Appelez le service clientèle pour obtenir de l'aide.

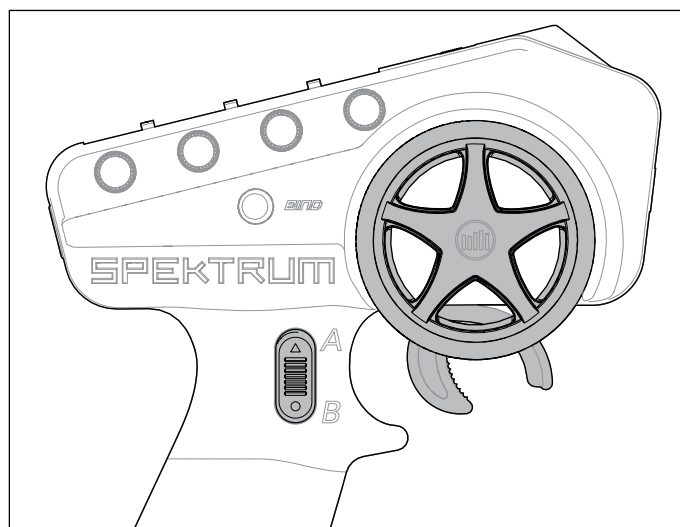


UTILISER LA TRANSMISSION DIG

Le Axial Capra comprend une transmission « Dig » qui permet de bloquer l'essieu arrière tout en laissant les roues avant tourner. Utilisez cette fonction à proximité pour permettre au véhicule de prendre un virage plus serré que ce qui est possible avec le système 4 roues motrices normal ou pour précharger la suspension si nécessaire.

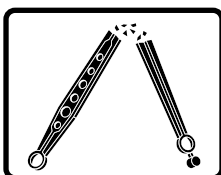
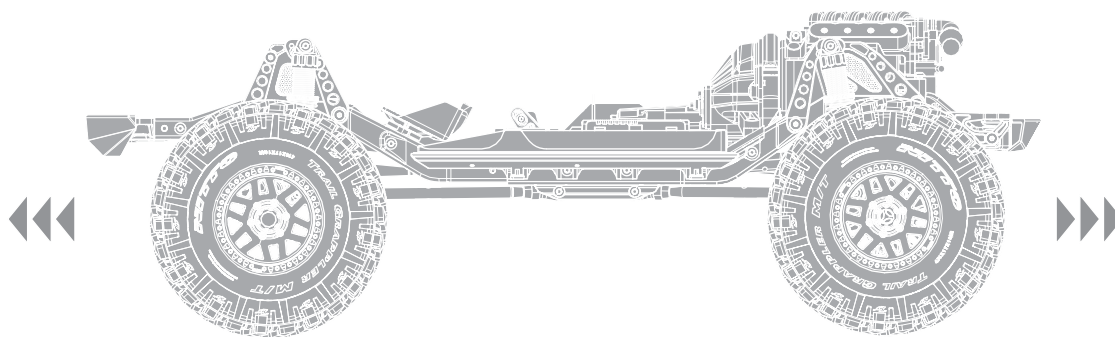
Pour utiliser la fonction Dig :

1. Appuyez sur le bouton B du canal 3 de l'émetteur et maintenez-le enfoncé. La fonction Dig s'active, bloquant l'essieu arrière. Maintenez le bouton B enfoncé aussi longtemps que vous souhaitez que la fonction Dig soit activée.
2. Avancez la manette des gaz et tournez le volant à gauche ou à droite pour faire pivoter fermement le véhicule.
3. Relâchez le bouton B du canal 3 pour désactiver la fonction Dig.

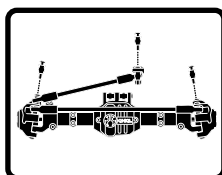


ENTRETIEN DU VÉHICULE

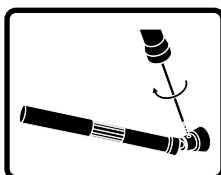
Tout comme une voiture ou un camion grandeur nature, votre véhicule télécommandé doit être entretenu régulièrement pour conserver une performance optimale. L'entretien préventif permet également d'éviter toute casse superflue pouvant entraîner des réparations coûteuses. Voici ci-dessous quelques suggestions pour entretenir correctement votre véhicule.



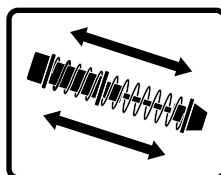
Remplacez les pièces visiblement tordues ou cassées



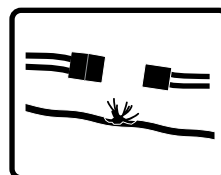
Contrôlez l'usure des joints à rotule dans la tringlerie de direction et de suspension (remplacez si nécessaire)



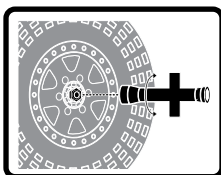
Contrôlez les vis de fixation de l'arbre de transmission et appliquez du frein-filet si nécessaire



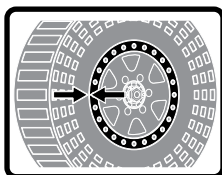
Vérifiez que les amortisseurs absorbent efficacement les chocs et de façon fluide



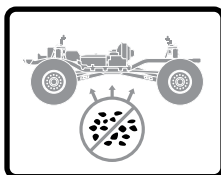
Assurez-vous qu'il n'y a aucune connexion lâche ou aucun fil effiloché



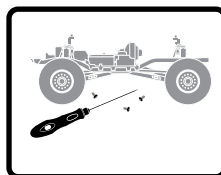
Vérifiez que les écrous de roue sont bien serrés



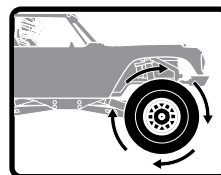
Assurez-vous que les talons de roue sont toujours fermement collés sur toute la circonférence de la jante



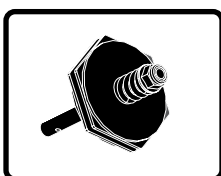
Assurez-vous que le châssis est exempt de crasse et de débris



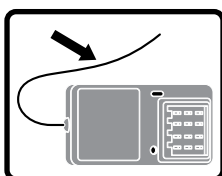
Vérifiez qu'il n'y a aucune vis desserrée sur le châssis, en particulier les vis de blocage des rotules, des moyeux en C et des essieux



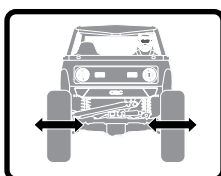
Vérifiez que la transmission fonctionne de façon fluide, sans grippages



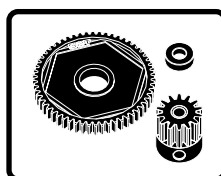
Le cas échéant, contrôlez le bon fonctionnement de l'embrayage



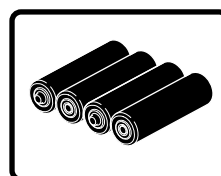
Vérifiez que l'antenne du récepteur n'est pas endommagée



Vérifiez que la direction n'est pas grippée



Vérifiez que les engrenages à pignons et les engrenages cylindriques ne sont pas endommagés



Remplacez les piles de l'émetteur lorsque l'émetteur vous y invite, comme décrit dans la section Fonctions de l'émetteur

COMBINAISON RÉCEPTEUR/ESC SPEKTRUM

FONCTIONNEMENT

1. Allumez l'émetteur.
2. Allumez le récepteur.
3. La DEL verte sur le récepteur s'allume lorsque celui-ci est connecté à l'émetteur.
4. Débranchez la batterie du variateur ESC/récepteur après l'utilisation.

SÉCURITÉ INTÉGRÉE

Dans le cas peu probable d'une perte de liaison radio pendant l'utilisation, le variateur ESC/récepteur 2-en-1 mettra le canal des gaz sur la position neutre (gaz coupés). Si le variateur ESC/récepteur 2-en-1 est mis en marche avant l'émetteur, il se met en mode sécurité intégrée, ce qui signifie que les gaz restent coupés. Lorsque l'émetteur est mis en marche, le contrôle normal reprend.

INDICATEURS DEL

Lors de la mise sous tension du variateur ESC, la DEL rouge se mettra à clignoter et le moteur émettra une série de bips pour indiquer son état. Le nombre de tonalités indique (1) que le variateur ESC est en service, (2) le mode de batterie détecté et (3) que le variateur ESC est prêt à l'emploi.

CARACTÉRISTIQUES	ÉTAT DE LA DEL ROUGE	SON DU MOTEUR
Variateur ESC en service	Clignotement rapide	4 tonalités changeantes
Batterie Ni-MH/Ni-CD	1 clignotement	1 tonalité courte
Batterie 2S Li-Po	2 clignotements	2 bips courts
Batterie 3S Li-Po	3 clignotements	3 bips courts
Variateur ESC prêt, Aucun signal de l'émetteur	2 clignotements courts, Clignotement rouge répété	2 tonalités ascendantes, Tonalités descendantes répétées

FONCTIONNEMENT	ÉTAT DES TÉMOINS DEL
Marche avant	
Accélération partielle	Vert fixe, rouge clignotant
Accélération complète	Vert et rouge fixes
Marche arrière	
Accélération partielle	Vert fixe, rouge clignotant
Accélération complète	Vert et rouge fixes
Freinage	
Partiel	Vert fixe, rouge clignotant
Complet	Vert et rouge fixes
Arrêt	Vert fixe
Tension de batterie faible ou absence de signal	Rouge clignotant
Surchauffe	Vert clignotante
Protection de surintensité	Vert et rouge, clignotement triple

ÉTALONNAGE DU VARIATEUR ESC ET DE L'ÉMETTEUR

La combinaison ESC/récepteur et l'émetteur inclus s'étalonnent automatiquement à l'allumage. Suivez la procédure ci-dessous pour garantir un étalonnage précis entre l'émetteur et l'ESC/récepteur.

1. Connectez une batterie complètement chargée au variateur ESC/récepteur. Mettez le bouton d'alimentation sur la position d'arrêt.
2. Allumez l'émetteur. Vérifiez que les gaz ne sont pas inversés, que le compensateur des gaz est en position neutre et que la plage de course des gaz est sur 100 %.
3. Laissez la manette des gaz en position neutre et allumez le variateur ESC/récepteur.
4. Laissez les compensateurs et la commande des gaz sur la position neutre pendant 3 secondes minimum. Le variateur ESC/récepteur étalonne automatiquement la plage des gaz au bout de 3 secondes.
5. La DEL clignote et le moteur émet un bip pour indiquer la sélection du mode de batterie.
6. Un long clignotement de DEL et un long bip indiquent que le variateur ESC est prêt à fonctionner.

RAPPORTS D'ENGRENAGE

TABLEAU DES RAPPORTS D'ENGRENAGE ROUE DROITE/PIGNON - TRANSMISSION LCX

	12	13	14	15	16	17	18
Vitesse faible (standard)	58,1	49,2	45,6	42,6	39,4	37,6	35,5
Vitesse élevée (en option)	39,8	36,5	31,3	29,2	27,3	25,7	24,3

SPÉCIFICATIONS

Type	Variateur ESC/récepteur DSMR étanches 2-en-1 avec télémétrie SMART
Dimensions (L x l x H)	54 mm x 33,5 mm x 20,5 mm
Longueur d'antenne	31 mm
Canaux	4 (aucune sortie pour le servo des gaz)
Poids	68 g
Bande	2404 à 2476 MHz
Tension de sortie du servo	6 V jusqu'à 3 A, partagée avec les connecteurs de lumières auxiliaires
Fonctions télémétriques	Tension de batterie, courant, température du variateur ESC, données de batterie (avec batterie SMART)
Connecteur d'entrée de batterie	iC3 (compatible EC3)
Plage de tension	Li-Po 2-3S*/NiMH 5-9S
Courant maximal	40 A continu/ 180 A en rafale
Connecteurs du moteur	Cylindriques de 3,5 mm

*Li-Po est le réglage par défaut pour la coupure par tension faible. Une carte de programme facultative Dynamite (DYNS3005) est nécessaire pour modifier le réglage du type de batterie.

GUIDE DE DÉPANNAGE

PROBLÈME	CAUSE POSSIBLE	SOLUTION
Le système ne se connecte pas	L'émetteur et le récepteur sont trop proches	Éloignez l'émetteur d'environ 2 à 4 m du récepteur
	Vous vous trouvez à proximité d'objets métalliques	Déplacez-vous dans une zone contenant moins de métal
	Le récepteur est affecté à la mémoire d'un modèle différent	Assurez-vous que la mémoire du bon modèle est active dans votre émetteur
	Votre émetteur a été placé en mode affectation et n'est plus affecté à votre récepteur	Réaffectez l'émetteur et le récepteur, puis recalibrez
Le récepteur passe en mode sécurité intégrée à une courte distance de l'émetteur	Vérifiez que l'antenne du récepteur n'est pas endommagée	Assurez-vous que l'antenne de votre récepteur est protégée et placée aussi haut que possible Remplacez le récepteur ou contactez l'assistance produit de Horizon
	Faible tension de la batterie du récepteur. Si la tension de la batterie est faible, il est possible qu'elle tombe provisoirement en dessous de 3,5 V, entraînant une baisse de tension du récepteur, puis une reconnexion	Chargez la batterie du récepteur ou du véhicule. Les récepteurs Spektrum nécessitent une tension de service minimale de 3,5 V
Le récepteur cesse de répondre en cours de service	Fils ou connecteurs desserrés ou endommagés entre la batterie et le récepteur	Vérifiez les fils et la connexion entre la batterie et le récepteur. Réparez ou remplacez les fils et/ou les connecteurs
	Les piles ne sont pas installées correctement dans l'émetteur	Assurez-vous que les piles sont correctement installées dans l'émetteur
Le véhicule ne bouge pas	Batterie faible ou absente dans le véhicule	Installez une batterie venant d'être chargée dans le véhicule
	Moteur endommagé	Remplacez le moteur
	Câblage effiloché ou cassé	Remplacez tout fil endommagé
	Le variateur ESC est coupé par le circuit de protection contre la surchauffe	Laissez le variateur ESC refroidir complètement
Perte de contrôle du véhicule	Mauvais placement de l'antenne	Assurez-vous que l'antenne de l'émetteur n'est pas bloquée et que l'antenne du récepteur est bien placée
	Batteries faibles ou absentes dans l'émetteur ou le véhicule	Installez une batterie venant d'être chargée dans le véhicule et des piles neuves dans l'émetteur
	Mauvaise position neutre ou du compensateur	Ajustez le compensateur de direction
	Mauvaise connexion du récepteur et/ou de la batterie	Contrôlez toutes les connexions du récepteur et de la batterie
La fonction de direction et/ou des gaz est inversée	La course du servo est inversée au niveau de l'émetteur	Mettez le commutateur d'inversion de servo de l'émetteur à la bonne position
	Les câbles du moteur sont mal connectés	Vérifiez que tous les câbles du moteur sont bien connectés et sont à la bonne polarité
Variateur ESC allumé - Aucune fonction moteur, tonalité audible ou DEL	Problème de batterie/connexion	Rechargez/remplacez la batterie. Fixez tous les branchements
	Variateur/commutateur ESC endommagé	Réparez/remplacez le variateur/commutateur ESC
	Moteur endommagé	Réparez/remplacez
Moteur- S'arrête et la DEL clignote	Protection contre les baisses de tension	Lorsque la DEL du variateur ESC clignote, rechargez/remplacez la batterie
	Protection contre la surchauffe	Lorsque la DEL clignote, laissez le moteur/variateur ESC refroidir, modifiez la configuration ou l'engrenage pour éviter une surchauffe
Moteur- Accélère régulièrement	Problème de batterie	Réparez les fils endommagés/remplacez la batterie
	Engrenage incorrect	Ajustez/remplacez l'engrenage
	Moteur usé ou endommagé	Réparez/remplacez le moteur
Moteur- Ne tourne pas de façon continue en réponse à une accélération	Variateur ESC/moteur endommagé	Réparez/remplacez les fils ou le moteur/variateur ESC
Moteur- Ralentit mais ne s'arrête pas	Calibrage incorrect de l'émetteur/du variateur ESC	Réglez le débattement des gaz/les autres paramètres des gaz sur l'émetteur/le variateur ESC. Répétez la procédure de calibrage du variateur ESC
Servo de direction- Fonctionne; le moteur ne tourne pas	Moteur endommagé	Testez le moteur en dehors du système du véhicule, réparez/remplacez le moteur selon le besoin
	Calibrage incorrect de l'émetteur/du variateur ESC	Réglez le débattement des gaz/les autres paramètres des gaz sur l'émetteur/le variateur ESC. Répétez la procédure de calibrage du variateur ESC
Direction/moteur- ne fonctionne pas	Tension de batterie faible	Rechargez/remplacez
	Mémoire du modèle incorrect sélectionnée sur l'émetteur	Sélectionnez les bons paramètres de modèle sur votre émetteur ; consultez le manuel de l'émetteur et/ou du récepteur
	Récepteur non affecté à l'émetteur	Affectez l'émetteur au récepteur ; consultez le manuel de l'émetteur et/ou du récepteur
Véhicule- Ne fonctionne pas à pleine vitesse	Problème de batterie	Rechargez/remplacez
	Calibrage incorrect de l'émetteur/du variateur ESC	Réglez le débattement des gaz/les autres paramètres des gaz sur l'émetteur/le variateur ESC. Répétez la procédure de calibrage du variateur ESC

GARANTIE ET RÉPARATIONS

Durée de la garantie

Garantie exclusive - Horizon Hobby, LLC (Horizon) garantit que le Produit acheté (le « Produit ») sera exempt de défauts matériels et de fabrication à sa date d'achat par l'Acheteur. La durée de garantie correspond aux dispositions légales du pays dans lequel le produit a été acquis. La durée de garantie est de 6 mois et la durée d'obligation de garantie de 18 mois à l'expiration de la période de garantie.

Limitations de la garantie

- La garantie est donnée à l'acheteur initial (« Acheteur ») et n'est pas transférable. Le recours de l'acheteur consiste en la réparation ou en l'échange dans le cadre de cette garantie. La garantie s'applique uniquement aux produits achetés chez un revendeur Horizon agréé. Les ventes faites à des tiers ne sont pas couvertes par cette garantie. Les revendications en garantie seront acceptées sur fourniture d'une preuve d'achat valide uniquement. Horizon se réserve le droit de modifier les dispositions de la présente garantie sans avis préalable et révoque alors les dispositions de garantie existantes.
- Horizon n'endosse aucune garantie quant à la vendabilité du produit ou aux capacités et à la forme physique de l'utilisateur pour une utilisation donnée du produit. Il est de la seule responsabilité de l'acheteur de vérifier si le produit correspond à ses capacités et à l'utilisation prévue.
- Recours de l'acheteur – Il est de la seule discrétion d'Horizon de déterminer si un produit présentant un cas de garantie sera réparé ou échangé. Ce sont là les recours exclusifs de l'acheteur lorsqu'un défaut est constaté.

Horizon se réserve la possibilité de vérifier tous les éléments utilisés et susceptibles d'être intégrés dans le cas de garantie. La décision de réparer ou de remplacer le produit est du seul ressort d'Horizon. La garantie exclut les défauts esthétiques ou les défauts provoqués par des cas de force majeure, une manipulation incorrecte du produit, une utilisation incorrecte ou commerciale de ce dernier ou encore des modifications de quelque nature qu'elles soient.

La garantie ne couvre pas les dégâts résultant d'un montage ou d'une manipulation erronés, d'accidents ou encore du fonctionnement ainsi que des tentatives d'entretien ou de réparation non effectuées par Horizon. Les retours effectués par le fait de l'acheteur directement à Horizon ou à l'une de ses représentations nationales requièrent une confirmation écrite.

Limitation des dommages

Horizon ne saurait être tenu pour responsable de dommages conséquents directs ou indirects, de pertes de revenus ou de pertes commerciales, liés de quelque manière que ce soit au produit et ce, indépendamment du fait qu'un recours puisse être formulé en relation avec un contrat, la garantie ou l'obligation de garantie. Par ailleurs, Horizon n'acceptera pas de recours issus d'un cas de garantie lorsque ces recours dépassent la valeur unitaire du produit. Horizon n'exerce aucune influence sur le montage, l'utilisation ou la maintenance du produit ou sur d'éventuelles combinaisons de produits choisies par l'acheteur. Horizon ne prend en compte aucune garantie et n'accepte aucun recours pour les blessures ou les dommages pouvant en résulter. Horizon Hobby ne saurait être tenu responsable d'une utilisation ne respectant pas les lois, les règles ou réglementations en vigueur.

En utilisant et en montant le produit, l'acheteur accepte sans restriction ni réserve toutes les dispositions relatives à la garantie figurant dans le présent document. Si vous n'êtes pas prêt, en tant qu'acheteur, à accepter ces dispositions en relation avec l'utilisation du produit, nous vous demandons de restituer au vendeur le produit complet, non utilisé et dans son emballage d'origine.

Indications relatives à la sécurité

Ceci est un produit de loisirs perfectionné et non un jouet. Il doit être utilisé avec précaution et bon sens et nécessite quelques aptitudes mécaniques ainsi que mentales. L'incapacité à utiliser le produit de manière sûre et raisonnable peut provoquer des blessures et des dégâts matériels conséquents. Ce produit n'est pas destiné à être utilisé par des enfants sans la surveillance par un tuteur. La notice d'utilisation contient des indications relatives à la sécurité ainsi que des indications concernant la maintenance et le fonctionnement du produit. Il est absolument indispensable de lire et de comprendre ces indications avant la première mise en service. C'est uniquement ainsi qu'il sera possible d'éviter une manipulation erronée et des accidents entraînant des blessures et des dégâts. Horizon Hobby ne saurait être tenu responsable d'une utilisation ne respectant pas les lois, les règles ou réglementations en vigueur.

Questions, assistance et réparations

Votre revendeur spécialisé local et le point de vente ne peuvent effectuer une estimation d'éligibilité à l'application de la garantie sans avoir consulté Horizon. Cela vaut également pour les réparations sous garantie. Vous voudrez bien, dans un tel cas, contacter le revendeur qui conviendra avec Horizon d'une décision appropriée, destinée à vous aider le plus rapidement possible.

Maintenance et réparation

Si votre produit doit faire l'objet d'une maintenance ou d'une réparation, adressez-vous soit à votre revendeur spécialisé, soit directement à Horizon. Emballez le produit soigneusement. Veuillez noter que le carton d'emballage d'origine ne suffit pas, en règle générale, à protéger le produit des dégâts pouvant survenir pendant le transport. Faites appel à un service de messagerie proposant une fonction de suivi et une assurance, puisque Horizon ne prend aucune responsabilité pour l'expédition du produit jusqu'à sa réception acceptée. Veuillez joindre une preuve d'achat, une description détaillée des défauts ainsi qu'une liste de tous les éléments distincts envoyés. Nous avons de plus besoin d'une adresse complète, d'un numéro de téléphone (pour demander des renseignements) et d'une adresse de courriel.

Garantie et réparations

Les demandes en garantie seront uniquement traitées en présence d'une preuve d'achat originale émanant d'un revendeur spécialisé agréé, sur laquelle figurent le nom de l'acheteur ainsi que la date d'achat. Si le cas de garantie est confirmé, le produit sera réparé. Cette décision relève uniquement d'Horizon Hobby.

Réparations payantes

En cas de réparation payante, nous établissons un devis que nous transmettons à votre revendeur. La réparation sera seulement effectuée après que nous ayons reçu la confirmation du revendeur. Le prix de la réparation devra être acquitté au revendeur. Pour les réparations payantes, nous facturons au minimum 30 minutes de travail en atelier ainsi que les frais de réexpédition. En l'absence d'un accord pour la réparation dans un délai de 90 jours, nous nous réservons la possibilité de détruire le produit ou de l'utiliser autrement.

ATTENTION: Nous n'effectuons de réparations payantes que pour les composants électroniques et les moteurs. Les réparations touchant à la mécanique, en particulier celles des hélicoptères et des voitures radiocommandées, sont extrêmement coûteuses et doivent par conséquent être effectuées par l'acheteur lui-même.

10/15

INFORMATIONS DE CONTACT POUR GARANTIE ET RÉPARATION

PAYS D'ACHAT	HORIZON HOBBY	NUMÉRO DE TÉLÉPHONE/E-MAIL	ADRESSE
Union européenne	Horizon Technischer Service Sales: Horizon Hobby GmbH	service@horizonhobby.eu +49 (0) 4121 2655 100	Hanskampring 9 D 22885 Barsbüttel, Germany

INFORMATION IC

CAN ICES-3 (B)/NMB-3(B)

IC: 6157A-KATY1T

Le présent appareil est conforme aux CNR d'Industrie Canada applicables aux appareils radio exempts de licence. L'exploitation est autorisée aux deux conditions suivantes : (1) l'appareil ne doit pas produire de brouillage, et (2) l'utilisateur de l'appareil doit accepter tout brouillage radioélectrique subi, même si le brouillage est susceptible d'en compromettre le fonctionnement.

INFORMATIONS DE CONFORMITÉ POUR L'UNION EUROPÉENNE



EU COMPLIANCE STATEMENT:

Axial SCX10 III Jeep Wrangler (AXI03003)

Horizon Hobby, LLC déclare par la présente que ce produit est en conformité avec les exigences essentielles et les autres dispositions des directives CEM et RED.

Une copie de la déclaration de conformité européenne est disponible à : <http://www.horizonhobby.com/content/support-render-compliance>.

INSTRUCTIONS RELATIVES À L'ÉLIMINATION DES D3E POUR LES UTILISATEURS RÉSIDANT DANS L'UNION EUROPÉENNE



Ce produit ne doit pas être éliminé avec d'autres déchets. Il relève de la responsabilité de l'utilisateur d'éliminer les équipements mis au rebut en les remettant à un point de collecte désigné en vue du recyclage des déchets d'équipements électriques et électroniques. La collecte et le recyclage séparés de vos équipements au moment de leur élimination aideront à préserver les ressources naturelles et à garantir que les déchets seront recyclés de manière à protéger la santé humaine et l'environnement. Pour plus d'informations quant aux lieux de dépôt de vos équipements mis au rebut en vue du recyclage, veuillez contacter votre mairie, votre service de traitement des ordures ménagères ou le magasin dans lequel vous avez acheté le produit.

AVVISO

Tutte le istruzioni, le garanzie e gli altri documenti pertinenti sono soggetti a cambiamenti a totale discrezione di Horizon Hobby, LLC. Per una documentazione aggiornata sul prodotto, visitare il sito horizonhobby.com o towerhobbies.com e fare clic sulla sezione Support del prodotto.


CONVENZIONI TERMINOLOGICHE

Nella documentazione relativa al prodotto vengono utilizzati i seguenti termini per indicare i vari livelli di pericolo potenziale durante l'uso del prodotto:

AVVERTENZA: Indica procedure che, se non debitamente seguite, determinano il rischio di danni alle cose, danni collaterali e gravi lesioni alle persone o il rischio elevato di lesioni superficiali alle persone.

ATTENZIONE: Indica procedure che, se non debitamente seguite, determinano il rischio di danni alle cose E di gravi lesioni alle persone.

AVVISO: Indica procedure che, se non debitamente seguite, possono determinare il rischio di danni alle cose E il rischio minimo o nullo di lesioni alle persone.

 **AVVERTENZA:** leggere TUTTO il manuale di istruzioni e familiarizzare con le caratteristiche del prodotto prima di farlo funzionare. Un uso improprio del prodotto può causare danni al prodotto stesso e alle altre cose e gravi lesioni alle persone. Questo modello è un prodotto sofisticato per appassionati di modellismo. Deve essere azionato in maniera attenta e responsabile e richiede alcune conoscenze basilari di meccanica. L'uso improprio o irresponsabile di questo prodotto può causare lesioni alle persone e danni al prodotto stesso o alle altre cose. Questo prodotto non deve essere utilizzato dai bambini senza la diretta supervisione di un adulto. Non tentare di smontare, utilizzare componenti incompatibili o modificare il prodotto in nessun caso senza previa approvazione di Horizon Hobby, LLC. Questo manuale contiene le istruzioni per la sicurezza, l'uso e la manutenzione del prodotto. È fondamentale leggere e seguire tutte le istruzioni e le avvertenze del manuale prima di montare, impostare o utilizzare il prodotto, al fine di utilizzarlo correttamente e di evitare di causare danni alle cose o gravi lesioni alle persone.


Limite minimo di età consigliato: Almeno 14 anni. Non è un giocattolo.

PRECAUZIONI E AVVERTENZE SULLA SICUREZZA

L'utente di questo prodotto è l'unico responsabile del corretto utilizzo del medesimo in maniera che non sia pericoloso, sia nei propri riguardi che nei confronti di terzi e non danneggi il prodotto stesso o l'altrui proprietà.

Questo modello è controllato da un segnale radio potenzialmente soggetto a interferenze da molte fonti che non potete controllare. Queste interferenze possono generare momentanee perdite di controllo del modello, quindi è consigliabile mantenere sempre una certa distanza di sicurezza in ogni direzione, poichè questo può aiutare ad evitare urti o infortuni.

- Non utilizzare mai il modello con batterie scariche.
- Utilizzate sempre il modello in zone ampie, sgombre da persone, macchine e traffico.
- Non utilizzate mai il modello in strade aperte al traffico o in luoghi affollati.
- Seguite attentamente le avvertenze d'uso di questo modello e di ogni altro accessorio (caricabatterie, batterie ricaricabili ecc.).
- Tenete qualsiasi prodotto chimico o elettrico al di fuori della portata dei bambini.
- Non leccate o ingerite alcun pezzo del modello perchè questo può causare infortuni seri, o addirittura la morte.
- Utilizzate sempre con attenzione attrezzi e oggetti affilati.
- Prestare attenzione durante la costruzione perchè alcune parti potrebbero avere degli spigoli vivi.
- Subito dopo l'uso NON toccate componenti del modello quali motore, variatore elettronico o la batteria, perchè si scaldano molto durante il funzionamento. Toccandoli potreste scottarvi.
- Non infilate le dita tra gli ingranaggi del modello o altre parti in rotazione o movimento, poichè questo può causare danni o infortuni gravi.
- Accendete sempre prima la trasmittente e poi la ricevente sul modello. Invece spegnete sempre prima la ricevente e poi la trasmittente.
- Sollevate le ruote del modello da terra quando controllate il corretto funzionamento dell'apparato radio.

 **AVVERTENZA CONTRO PRODOTTI CONTRAFFATTI:** Acquistate sempre da rivenditori autorizzati Horizon Hobby per essere certi di avere prodotti originali Spektrum di alta qualità. Horizon Hobby rifiuta qualsiasi supporto o garanzia riguardo, ma non limitato a, compatibilità e prestazioni di prodotti contraffatti o che dichiarano compatibilità con Spektrum.

INDICE


Veicolo resistente all'acqua con elettronica impermeabile	39	Utilizzo della trasmissione DIG	44
Contenuto della scatola	40	Manutenzione del veicolo	45
Apparecchiature necessarie	40	Combo Ricevitore/ESC Spektrum	46
Strumenti consigliati	40	Calibrazione di ESC e trasmettente	46
Lista di controllo pre-utilizzo	41	Rapporti di riduzione	46
Parti del veicolo	41	Guida alla risoluzione dei problemi	47
Caricare la batteria del veicolo	42	Garanzia	48
Installare le batterie del trasmettitore	42	Garanzia e Assistenza - Informazioni per i contatti	48
Funzioni Della Trasmettente	42	Dichiarazione di conformità per l'Unione europea	49
Regolazione del porta batteria del modello	43	Viste esplose	50
Installare la batteria del veicolo	43	Elenco componenti	57
Connessione (Binding)	44	Parti opzionali	60
Provare la portata del radiocomando	44	Elettronica	60

VEICOLO RESISTENTE ALL'ACQUA CON ELETTRONICA IMPERMEABILE

Il vostro nuovo veicolo Horizon Hobby è stato progettato e costruito con una combinazione di componenti impermeabili e resistenti all'acqua, per consentirvi di utilizzare il prodotto in molte situazioni "umide," incluse pozze, ruscelli, erba bagnata, neve e anche pioggia.

Sebbene tutto il veicolo sia altamente resistente all'acqua, tuttavia non è completamente impermeabile e NON si può trattare come fosse un sottomarino. I vari componenti elettronici usati sul veicolo, come il regolatore elettronico di velocità (ESC), i servi e il ricevitore, sono impermeabili, però molti dei componenti meccanici sono solo resistenti all'acqua e non si possono immergere.

Le parti metalliche, inclusi i cuscinetti, le cerniere, viti e dadi, come pure i contatti sui cavi elettrici, sono suscettibili di corrosione se non si fa una particolare manutenzione dopo l'uso sul bagnato. Per prolungare al massimo le prestazioni nel tempo e tenere valida la garanzia, le procedure descritte nella sezione "Manutenzione in condizioni umide," si devono applicare regolarmente se si sceglie di correre sul bagnato. Se non siete disposti ad eseguire questa manutenzione aggiuntiva, allora dovete evitare di utilizzare il veicolo in queste condizioni.

 **ATTENZIONE:** L'uso incauto di questo prodotto o il mancato rispetto delle seguenti precauzioni può portare ad un malfunzionamento del prodotto e/o invalidare la garanzia.

PRECAUZIONI GENERALI

- Leggete attentamente le procedure di manutenzione del vostro veicolo in condizioni umide, per essere sicuri di avere tutte le attrezzature necessarie per questo scopo.
- Non tutte le batterie si possono usare in condizioni di umidità. Consultate il costruttore delle batterie prima di utilizzarle. Bisogna avere cautela quando si usano le batterie Li-Po in condizioni di bagnato.
- Molti trasmettitori non sono resistenti all'acqua. Consultate i relativi manuali o il costruttore prima dell'utilizzo.
- Non utilizzate mai il vostro trasmettitore o il veicolo quando ci sono lampi.
- Non utilizzate il vostro veicolo quando c'è il rischio che entri in contatto con acqua salata (acqua marina o acqua proveniente da una strada su cui sia stato sparso del sale), acqua contaminata o inquinata. L'acqua salata è molto conduttiva e altamente corrosiva, perciò bisogna usare molta cautela.

- Anche il minimo contatto con l'acqua potrebbe ridurre la vita del vostro motore se non è stato certificato come impermeabile o resistente all'acqua. Se dovesse essere troppo umido, accelerate poco finché l'acqua non viene rimossa dal motore. Far girare forte un motore bagnato potrebbe danneggiarlo rapidamente.
- Guidare sul bagnato può ridurre la vita del motore. La resistenza aggiuntiva in queste condizioni causa uno sforzo eccessivo. Modificate il rapporto di riduzione diminuendo il pignone o aumentando la corona. Questo aumenta la coppia (e la vita del motore) quando si utilizza il veicolo nel fango, in pozzanghere profonde o qualsiasi altra situazione in cui l'umidità possa aumentare il carico del motore per lungo tempo.

MANUTENZIONE IN CONDIZIONI UMIDE

- Scaricare l'acqua raccolta negli pneumatici facendoli girare ad alta velocità. Togliere la carrozzeria e rovesciare il veicolo, poi dare alcune brevi accelerate finché l'acqua non viene rimossa.



ATTENZIONE: Durante l'operazione precedente, tenere sempre lontano dalle parti rotanti mani, dita, attrezzi o altri oggetti liberi di muoversi.

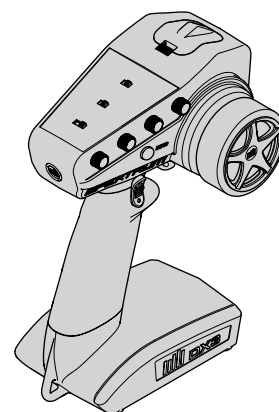
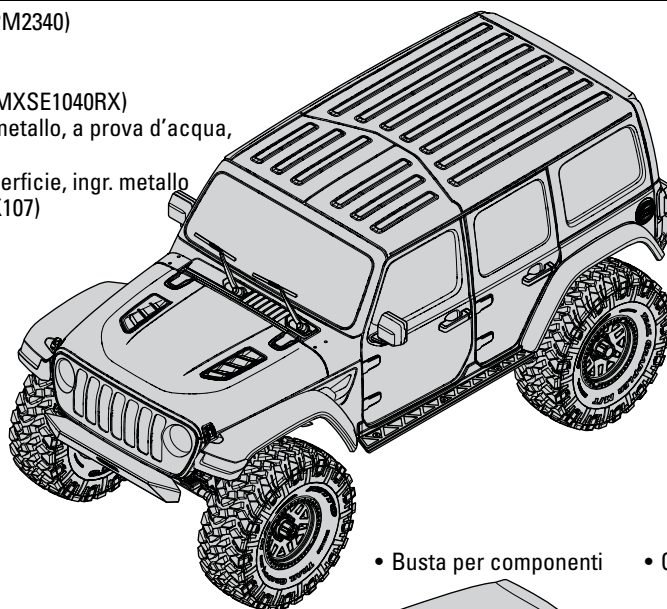
- Togliere la batteria ed asciugarne i contatti. Se avete un compressore o una bombola di aria compressa, soffiare via l'eventuale acqua rimasta all'interno del connettore.
- Smontate le ruote/gomme dal veicolo e risciacquatele con attenzione per togliere il fango e la polvere usando un getto di acqua. Evitate di risciacquare i cuscinetti e la trasmissione.

AVVISO: Non usare acqua sotto pressione per pulire il vostro veicolo.

- Usate un compressore o una bombola di aria compressa per asciugare il veicolo e togliere i residui di acqua eventualmente rimasti nelle piccole fessure e negli angoli.
- Spruzzare un olio impermeabilizzante o un lubrificante su cuscinetti, elementi di fissaggio e altre parti metalliche. Non spruzzare sul motore.
- Lasciate che il veicolo si asciughi all'aria prima di riporlo. L'acqua (e l'olio) continuerà a sgocciolare per alcune ore.
- Smontate il veicolo più di frequente, ispezionando e lubrificando le parti seguenti:
 - I cuscinetti dei mozzi sugli assi anteriore e posteriore.
 - Tutte le scatole di trasmissione, ingranaggi e differenziali.
 - Pulite il motore con un adatto prodotto aerosol e rilubrificate le boccole con olio leggero per motore.

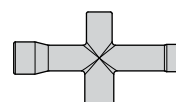
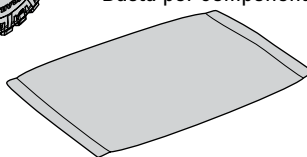
CONTENUTO DELLA SCATOLA

- Trasmittente Spektrum DX3 2,4 GHz (SPM2340)
- SCX10 III Jeep Wrangler RTR
 - Motore elettrico 35T (AX31312)
 - Combo Ricevitore/ESC Spektrum (SPMXSE1040RX)
 - Servo per modelli di superficie, ingr. metallo, a prova d'acqua, 23T (SPMS614)
 - Micro servo analogico, modelli di superficie, ingr. metallo SX107 (Per la funzione DIG) (SPMSSX107)



• Busta per componenti

• Chiave a croce



APPARECCHIATURE NECESSARIE

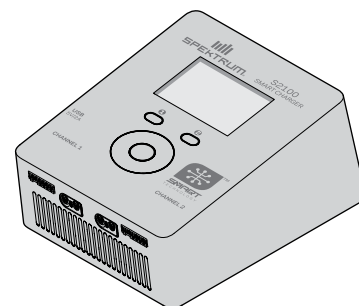
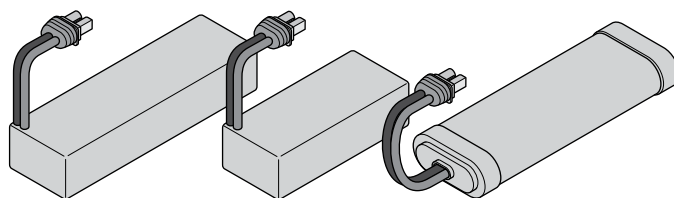
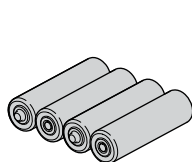
- (4) Batterie alcaline AA

- Batteria LiPo 2-3S Standard or "Corta"

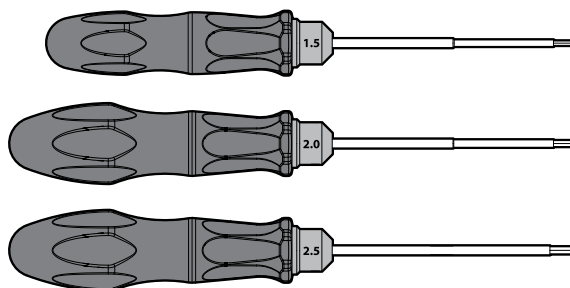
OPPURE

- Batteria NiMH/NiCd a 5-9 celle
(richiede connettore IC3)

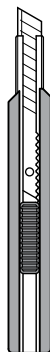
- Caricabatterie compatibile con la batteria scelta per il veicolo



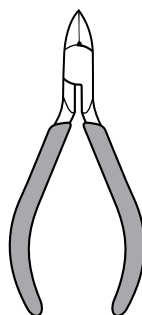
STRUMENTI CONSIGLIATI



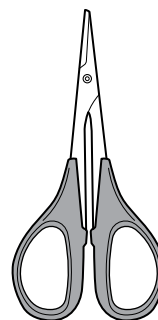
- Cacciaviti esagonali:
(1,5, 2,0, 2,5 mm)



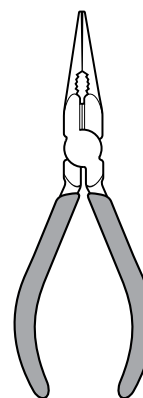
- Taglierino



- Tronchesino



- Forbici curve



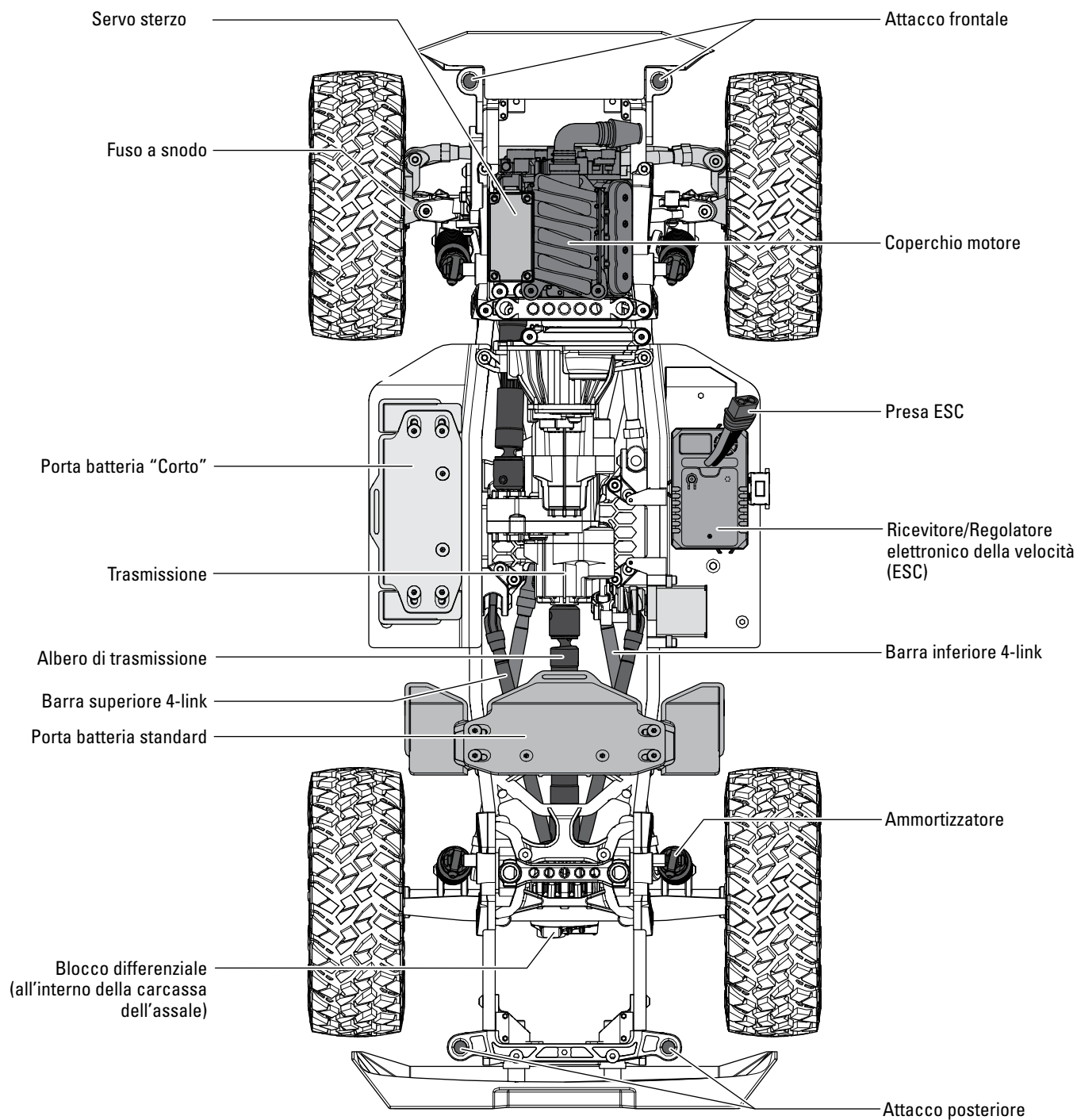
- Pinze a becchi lunghi

LISTA DI CONTROLLO PRE-UTILIZZO

Leggere il manuale
Acquisire familiarità con il veicolo e i suoi componenti
Verificare che tutte le viti, in particolare le viti di fissaggio dell'albero di trasmissione, siano state ben serrate in fabbrica
Caricare la batteria del veicolo
Installare 4 batterie AA nella trasmittente
Accendere la trasmittente

Installare la batteria del veicolo nel modello
Verificare il corretto funzionamento dell'acceleratore e dello sterzo
Provare la portata del radiocomando
Ora è possibile pilotare il veicolo e mettersi alla prova: BUON DIVERTIMENTO!
Realizzare eventuali operazioni di manutenzione necessarie sul veicolo

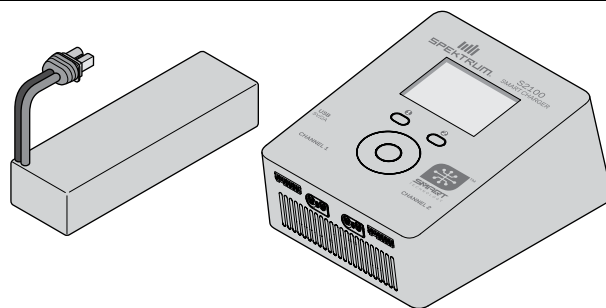
PARTI DEL VEICOLO



CARICARE LA BATTERIA DEL VEICOLO

Seguire le istruzioni del produttore affinché il caricabatterie carichi correttamente la batteria del veicolo.

ATTENZIONE: utilizzare esclusivamente caricabatterie progettati per la ricarica del tipo di batteria scelto. Utilizzando un caricabatterie errato o con impostazioni inadeguate, la batteria potrebbe prendere fuoco o esplodere.



INSTALLARE LE BATTERIE DEL TRASMETTITORE

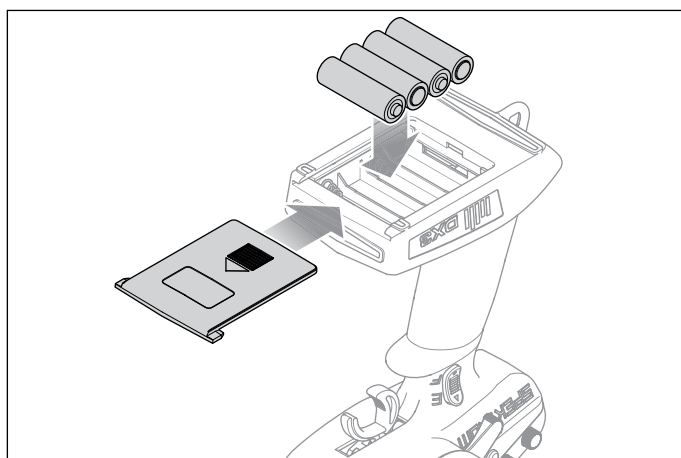
Per questo trasmettitore servono 4 pile AA.

1. Togliere il coperchio del portapile dal trasmettitore.
2. Inserire le pile come illustrato.
3. Rimettere a posto il coperchio del portapile.

ATTENZIONE: Non rimuovere mai le batterie dal trasmettitore mentre il modello è acceso. Una perdita di controllo del modello, danni o lesioni potrebbe verificarsi.

ATTENZIONE: se si usano anche le batterie ricaricabili, si raccomanda di caricare solo queste. È pericoloso caricare le pile a secco perché potrebbero esplodere causando lesioni e/o danni.

ATTENZIONE: se le batterie vengono sostituite con tipi non adatti, potrebbero esplodere. Le batterie si devono smaltire nel modo corretto secondo le disposizioni locali.



FUNZIONI DELLA TRASMITTENTE

A/B. PULSANTE CANALE 3 (FUNZIONE DIG)

C. GAS/FRENO

D. VOLANTINO STERZO

E. RATEO STERZO

Regola il fine corsa dello sterzo

F. RATEO FRENO

Regola il fine corsa del freno.

G. TRIM STERZO

Regola il punto centrale dello sterzo. Il trim dello sterzo è solitamente regolato fino a ottenere la marcia del veicolo in linea retta.

H. TRIM GAS

Regola il punto neutro del gas

I. INDICATORE DI LIVELLO DELLA BATTERIA SMART

J. INVERSIONE CORSA SERVO

Per invertire il canale di gas (TH) o sterzo (ST), impostare il corrispondente interruttore su "N" per normale, "R" per inversione.

K. LIMITE GAS

Limita la potenza del motore al 50/75/100%

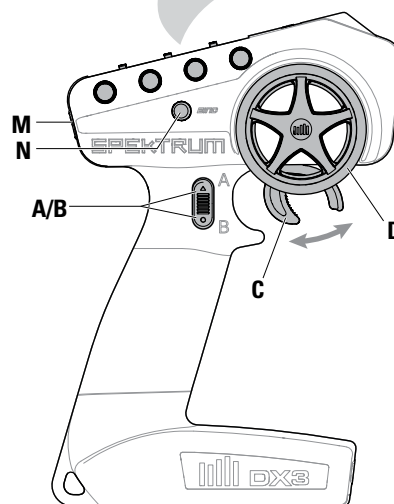
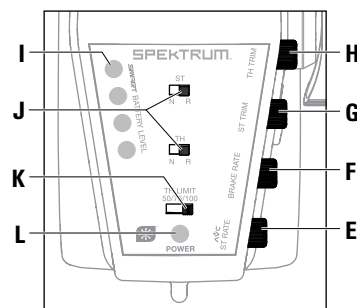
Selezionare 50% o 75% per i piloti meno esperti e quando si pilota il modello in spazi ridotti.

L. LED ON/OFF

- **Luci rosse fisse:** connessione radio presente e carica della batteria adeguata
- **Luci rosse lampeggianti:** la tensione della batteria è eccessivamente bassa. Sostituire le batterie

M. PULSANTE DI ACCENSIONE

N. TASTO DI BINDING

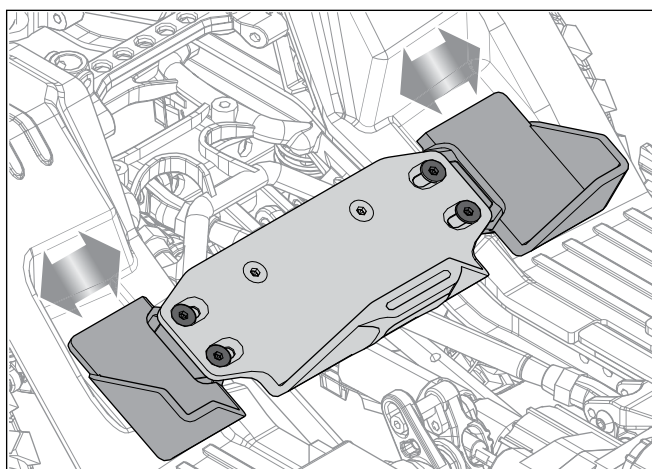


REGOLAZIONE DEL PORTA BATTERIA DEL MODELLO

I porta batteria sono regolabili per adattarli a batterie di dimensioni differenti. Il porta batteria posteriore è mostrato nell'illustrazione. Il porta batteria laterale è regolabile alla stessa maniera.

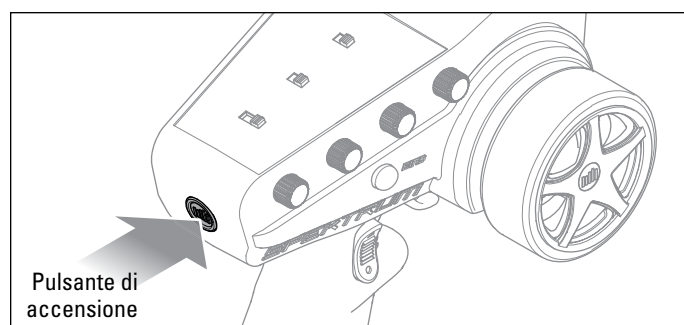
Per regolare il porta batteria:

1. Allentare le quattro viti a testa piatta mostrate nell'illustrazione.
2. Far scorrere le estremità del porta batteria dentro o fuori come richiesto dalla batteria.
3. Serrare le quattro viti a testa piatta. Non serrare eccessivamente le viti.

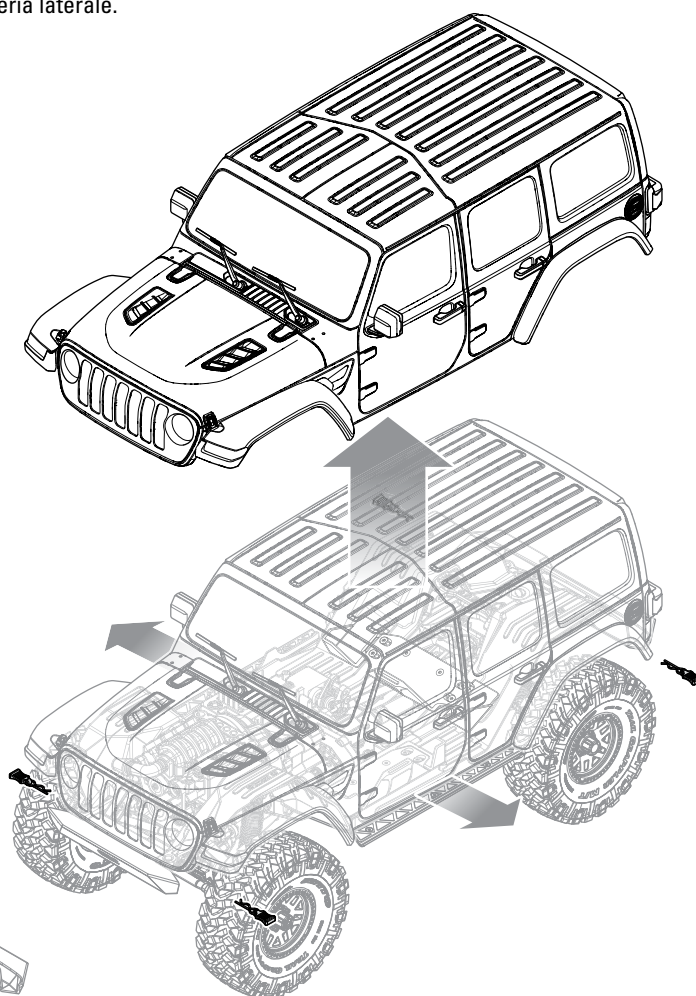
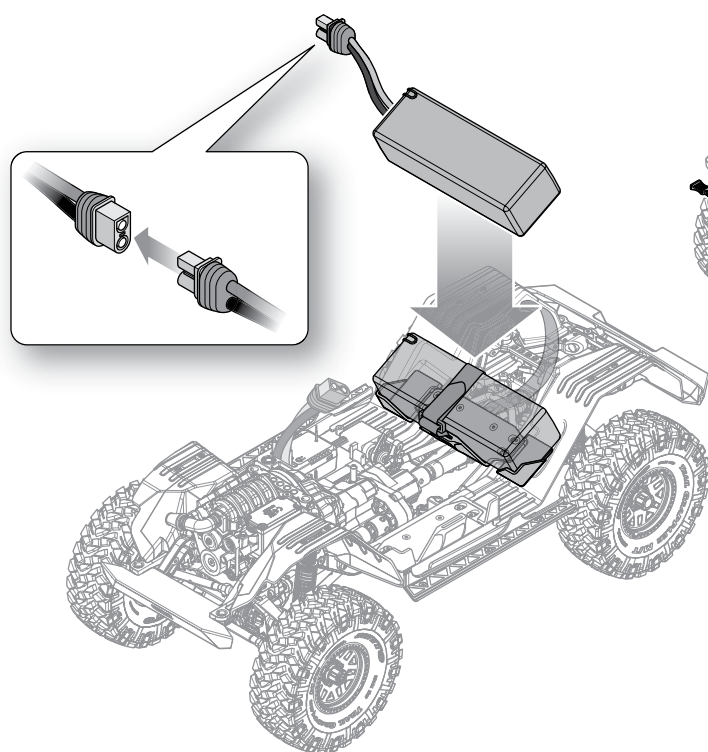


INSTALLARE LA BATTERIA DEL VEICOLO

I passaggi che seguono mostrano l'installazione di una batteria di dimensioni standard nel porta batteria posteriore del veicolo. Se si desidera utilizzare una batteria di tipo "corto", questa va installata nel porta batteria laterale.



1. Accendere la trasmittente.
2. Rimuovere le quattro clip da sotto la carrozzeria.
3. Tirare leggermente in basso sulla carrozzeria mentre la si solleva dal telaio.



4. Installare la batteria nel porta batteria. La lunghezza del porta batteria è regolabile per adattarla alla batteria, come mostrato nella sezione precedente.
5. Fissare la batteria usando la fascetta a strappo.
6. Collegare la batteria all'ESC.
7. Accendere il ricevitore/ESC.
8. Rimontare la carrozzeria e le quattro clip al telaio.

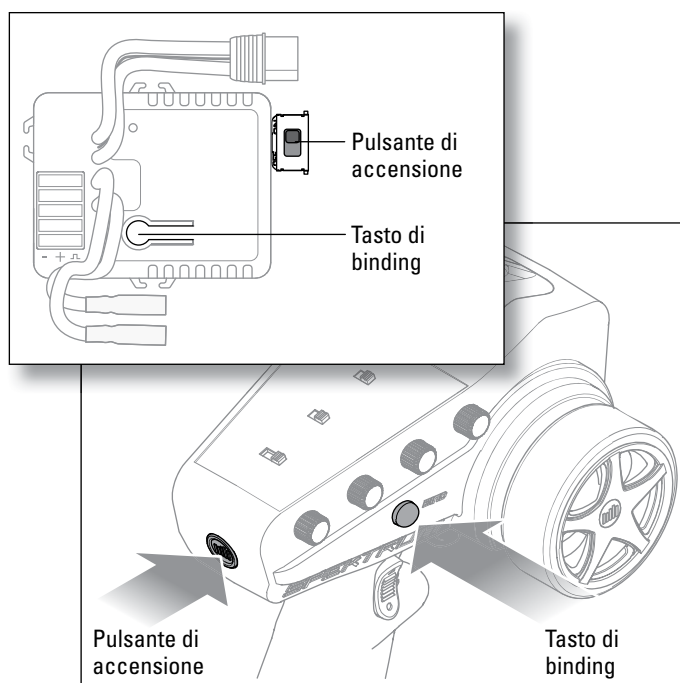
AVVISO: spegnere l'ESC e scollegare sempre la batteria dall'ESC prima di spegnere la trasmittente per non causare rischi di perdita di controllo del modello.

CONNESSIONE (BINDING)

Il binding è la procedura di programmazione con la quale il ricevitore impara a riconoscere il codice identificativo universalmente univoco GUID (Globally Unique Identifier) della trasmittente cui viene associato. Trasmittente e ricevitore sono connessi in fabbrica. Se è necessario ripetere il binding, seguire le istruzioni riportate di seguito.

1. Collegare una batteria completamente carica all'ESC/ricevitore.
2. Scollegare il cavo del servo "DIG" dal ricevitore.
3. Tenere premuto il tasto di binding sul ricevitore.
4. Accendere il ricevitore. Il LED rosso lampeggia, a indicare che il ricevitore è in modalità di binding. Rilasciare il tasto di binding quando il LED rosso inizia a lampeggiare. Il motore continuerà a emettere dei toni sonori discendenti fino al termine della procedura.
5. Con il grilletto del gas su neutro, premere e tenere premuto il tasto di binding della trasmittente mentre questa viene accesa in modo da impostare la trasmittente in modalità di binding. Il comando del gas deve essere in posizione neutra per impostare i failsafe.
6. Il processo di binding è completo quando il LED verde sul ricevitore rimane acceso fisso.
7. Collegare il cavo dei servo "DIG" al ricevitore.

Il binding va ripetuto quando è necessario modificare le posizioni di failsafe; per esempio, quando si invertono i comandi di gas o sterzo.



PROVARE LA PORTATA DEL RADIOCOMANDO

È opportuno testare il radiocomando prima di azionare il veicolo per garantirne il corretto funzionamento e una buona portata.

1. Accendere la trasmittente.
2. Collegare la batteria nel veicolo.
3. Chiedere a un'altra persona di reggere il veicolo tenendo mani e lembi di vestiario non aderenti lontano dalle parti mobili.
4. Allontanarsi fino a raggiungere la distanza massima di funzionamento pianificata dal veicolo.
5. Girare il volantino dello sterzo da un lato e dall'altro e azionare l'acceleratore, avanti e indietro, per verificare la presenza di eventuali comportamenti anomali.
6. In tal caso, NON utilizzare il veicolo. Chiamare il centro assistenza per ricevere aiuto.

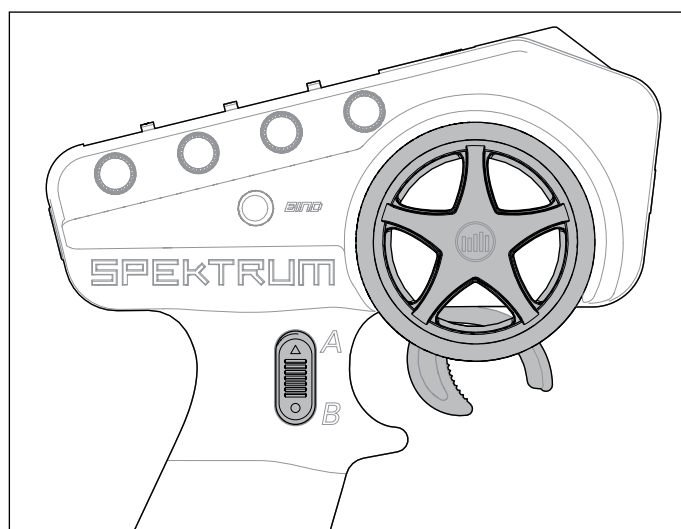


UTILIZZO DELLA TRASMISSIONE DIG

Il Trail Buggy Axial Capra monta una trasmissione DIG che permette di bloccare l'assale posteriore, lasciando però le ruote anteriori libere di girare. Questa funzione è utile quando vi è poco spazio perché consente un raggio di sterzata più stretto di quanto sarebbe possibile con la normale trazione a 4 ruote motrici ma è utilizzabile anche per precaricare le sospensioni quando necessario.

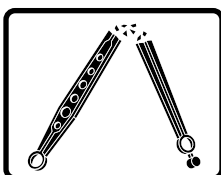
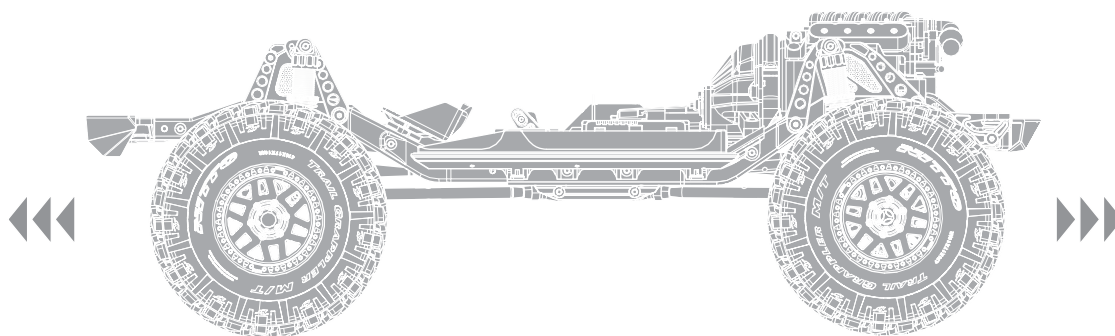
Per utilizzare la funzione DIG:

1. Premere e tenere premuto il tasto CH3 B sulla trasmittente. La funzione DIG si attiva, bloccando l'asse posteriore. Tenere premuto il tasto B per mantenere attiva la funzione DIG per tutto il tempo desiderato.
2. Dare gas e ruotare il volantino a sinistra o a destra per guidare il modello in una curva stretta.
3. Rilasciare il tasto CH3 B per disattivare la funzione DIG.

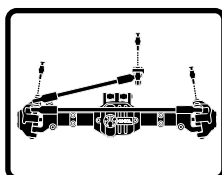


MANUTENZIONE DEL VEICOLO

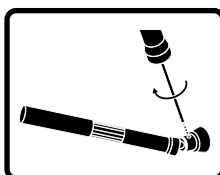
Proprio come una macchina o un pick-up a grandezza naturale, il modello RC deve essere sottoposto a regolare manutenzione per garantire prestazioni ottimali. La manutenzione preventiva consente anche di evitare inutili rotture dei componenti che potrebbero richiedere riparazioni costose. Di seguito vengono forniti alcuni suggerimenti per una manutenzione adeguata del veicolo.



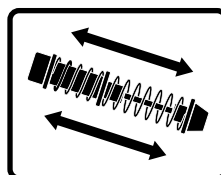
Sostituire eventuali componenti visibilmente piegati o danneggiati



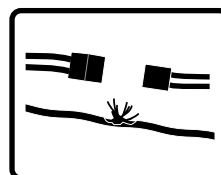
Verificare l'usura dei giunti sferici delle bielle dello sterzo e delle sospensioni (sostituirli se necessario)



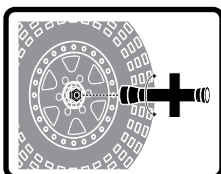
Verificare le viti di fissaggio dell'albero di trasmissione e applicare del frenafiletto se necessario



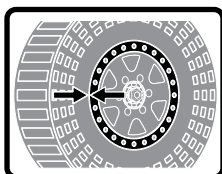
Verificare che gli ammortizzatori operino in modo fluido e regolare



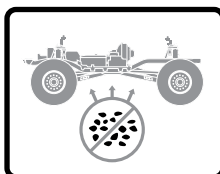
Verificare la presenza di parti allentate o cavi danneggiati



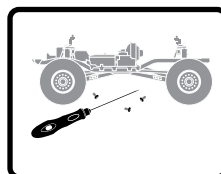
Verificare che i dadi delle ruote siano ben serrati



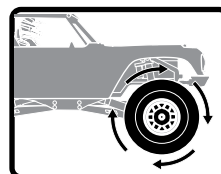
Assicurarsi che i talloni delle ruote aderiscano ancora perfettamente lungo tutta la circonferenza del cerchione



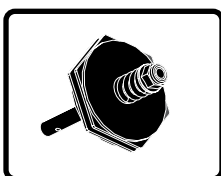
Mantenere il telaio privo di sporco o detriti



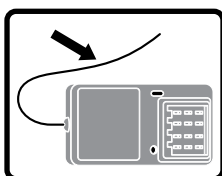
Verificare la presenza di viti allentate sul telaio, in particolare le viti di blocco dello snodo, del mozzo centrale e dell'assale



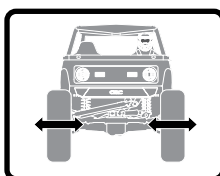
Verificare che la trasmissione operi in modo fluido e senza impedimenti



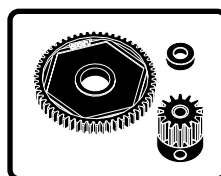
Se presente, verificare il funzionamento della frizione antisaltellamento



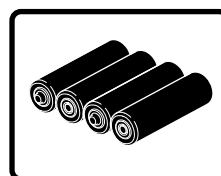
Verificare che l'antenna del ricevitore non sia danneggiata



Verificare che lo sterzo si muova liberamente



Ispezionare la corona e il pignone per verificare la presenza di danni



Sostituire le batterie della trasmittente quando indicato dalla trasmittente, come descritto al paragrafo 'Funzioni della trasmittente'

COMBO RICEVITORE/ESC SPEKTRUM

UTILIZZO

1. Accendere la trasmittente.
2. Accendere il ricevitore.
3. La spia LED verde sul ricevitore rimane accesa una volta completato il binding tra ricevitore e trasmittente.
4. Scollegare la batteria dall'ESC/Ricevitore quando il modello non è in uso.

FAILSAFE

Nell'improbabile caso di perdita della connessione radio durante la corsa, il combo 2-in-1 porta il canale del gas in posizione neutra (motore a zero). Se il 2-in-1 viene acceso prima di accendere la trasmittente, il ricevitore entra in modalità failsafe, lasciando il gas a zero. L'autorità di controllo viene ripristinata non appena la trasmittente viene accesa.

INDICATORI LED

Quando l'ESC viene acceso, il LED rosso lampeggia e il motore emette una serie di bip per indicare il suo stato.

Il numero di bip emessi indica che (1) l'ESC è in funzione, (2) la modalità della batteria rilevata e che (3) l'ESC è pronto per l'uso.

CARATTERISTICHE	STATO LED ROSSO	SUONI MOTORE
L'ESC è in funzione	Lampeggio veloce	4 cambi di tonalità
Batteria Ni-MH/Ni-CD	1 lampeggio	1 tono breve
Batteria Li-Po 2S	2 lampeggi	2 bip brevi
Batteria Li-Po 3S	3 lampeggi	3 bip brevi
ESC pronto, Segnale TX assente	2 lampeggi brevi, Lamp. rosso ripetuto	2 toni ascendenti Toni discendenti ripetuti

UTILIZZO	STATO LED
Avanti	
Gas parziale	Verde fisso, Rosso lamp.
Gas al massimo	Verde e Rosso fissi
Inversione	
Gas parziale	Verde fisso, Rosso lamp.
Gas al massimo	Verde e Rosso fissi
Freno	
Parziale	Verde fisso, Rosso lamp.
Piena	Verde e Rosso fissi
Stop	Verde fisso
Tens. batt. bassa o no segnale	Rosso lampeggiante
Surriscaldamento	Verde lampeggiante
Protezione da sovracorrente	Verde e Rosse triplo lamp.

CALIBRAZIONE DI ESC E TRASMITTENTE

La trasmittente e il combo ESC/ricevitore si calibrano automaticamente all'accensione. Seguire la procedura qui descritta per assicurare una corretta calibrazione tra ESC/ricevitore e trasmittente.

1. Collegare una batteria completamente carica all'ESC/ricevitore. Assicurarsi che l'interruttore di accensione sia su OFF.
2. Portare la trasmittente su ON. Assicurarsi che il comando del gas non sia invertito, che il trim del gas sia neutro e che il campo di corsa del gas sia al 100%.
3. Con il comando del gas su neutro, accendere l'ESC/ricevitore.
4. Lasciare i trim e il grilletto del gas in posizione neutra per almeno 3 secondi. L'ESC/ricevitore calibra automaticamente il campo del comando del gas dopo 3 secondi.
5. Il LED lampeggia e il motore genera dei bip per indicare la modalità batteria selezionata.
6. Un segnale acustico lungo e un lampeggiamento lungo del LED indicano che l'ESC è pronto all'uso.

RAPPORTI DI RIDUZIONE

TABELLA DEI RAPPORTI DI RIDUZIONE CORONA/PIGNONE - TRASMISSIONE LCX

	12	13	14	15	16	17	18
Velocità bassa (standard)	58,1	49,2	45,6	42,6	39,4	37,6	35,5
Velocità alta (opzionale)	39,8	36,5	31,3	29,2	27,3	25,7	24,3

SPECIFICHE

Tipo	ESC/ricevitore DSMR impermeabile 2-in-1 con telemetria SMART
Dimensioni (L x P x H)	54 x 33,5 x 20,5 mm
Lunghezza antenna	31 mm
Canali	4 (No uscita servo gas)
Peso	68 g
Banda	2404 – 2476 MHz
Tensione uscita servo	6 V fino a 3 A, condivisa con connettori luci aux
Funzioni telemetriche	Tensione batteria, Corrente, Temperatura ESC, Dati batteria (con batteria SMART)
Connettore ingresso batteria	IC3 (compatibile EC3)
Range tensione	2-3S Li-Po*/5-9S NiMH
Corrente max	40 A continua / 180 A picco
Connettori motore	3,5 mm a banana

*L'impostazione di default per lo spegnimento per bassa tensione è Li-Po. Per cambiare l'impostazione del tipo di batteria è necessaria la scheda di programmazione opzionale Dynamite (DYNS3005).

GUIDA ALLA RISOLUZIONE DEI PROBLEMI

PROBLEMA	POSSIBILE CAUSA	SOLUZIONE
Il sistema non si collega	Trasmittente e ricevitore sono troppo vicini tra loro	Spostare la trasmittente a 2,5-4 m dal ricevitore
	Si è in prossimità di oggetti metallici	Allontanarsi dagli oggetti metallici
	Ricevitore associato a un diverso modello di memoria	Assicurarsi che nella trasmittente sia attivo il modello di memoria corretto
	La trasmittente è stata impostata in modalità di binding e non è più associata al ricevitore	Ripetere il binding tra trasmittente e ricevitore e poi ricalibrazione
Il ricevitore va in modalità failsafe a breve distanza dal trasmettitore	Controllare che l'antenna del ricevitore sia integra	L'antenna deve essere in posizione protetta e quanto più in alto possibile Sostituire il ricevitore o contattare il supporto tecnico Horizon
	Bassa tensione dalla batteria del ricevitore. Se la tensione è bassa, la batteria può scendere per un istante sotto i 3,5 V, provocando uno sbalzo di tensione del ricevitore e successiva riconnessione	Caricare la batteria del veicolo o del ricevitore. I ricevitori Spektrum necessitano di almeno 3,5 V per funzionare
Il ricevitore smette di rispondere durante il funzionamento	Fili o connettori tra batteria e ricevitore allentati o danneggiati	Controllare i fili e il collegamento tra batteria e ricevitore. Riparare o sostituire i fili e/o i connettori
	Le batterie non sono state installate correttamente nella trasmittente	Assicurarsi che le batterie della trasmittente siano installate correttamente
Il veicolo non si muove	Batteria scarica o assente nel veicolo	Installare una batteria appena ricaricata sul veicolo
	Motore danneggiato	Sostituire il motore
	Cavi danneggiati o rotti	Sostituire i cavi danneggiati
	L'ESC viene spento dal circuito di protezione termica	Lasciare raffreddare completamente l'ESC
	Antenna posizionata in modo errato	Assicurarsi che l'antenna della trasmittente non sia bloccata e che l'antenna del ricevitore sia posizionata correttamente
Perdita del controllo del veicolo	Batterie scariche o assenti nel veicolo	Installare una batteria appena ricaricata sul veicolo e batteria nuove sulla trasmittente
	Posizione neutra o del trim errata	Regolare il trim dello sterzo
	Ricevitore e/o batteria non collegati correttamente	Verificare tutti i collegamenti del ricevitore e della batteria
La funzione sterzo e/o acceleratore è invertita	La corsa del servo è invertita a livello della trasmittente	Mettere in posizione corretta l'interruttore d'inversione della corsa del servo sulla trasmittente
	I cavi del motore non sono collegati correttamente	Verificare che tutti i cavi del motore abbiano polarità corretta e siano ben collegati
ESC ON - No azionamento motore, bip o LED	Problema di connessione/batteria	Ricaricare/sostituire la batteria. Controllare tutte le connessioni
	ESC o interruttore danneggiati	Riparare/sostituire ESC/interruttore ESC
	Motore danneggiato	Riparare/sostituire
Motore - Si arresta e il LED lampeggia	Protezione da bassa tensione	Se il LED dell'ESC lampeggia, ricaricare/sostituire la batteria
	Protezione da surriscaldamento	Se il LED lampeggia, far raffreddare il motore/ESC, cambiare impostazioni o la combinazione pignone e corona per evitare il surriscaldamento
Motore - Accelera in modo irregolare	Problema con la batteria	Riparare il cablaggio danneggiato/sostituire la batteria
	Combinazione pignone e corona errata	Regolare/sostituire
	Motore danneggiato o usurato	Riparare/sostituire il motore
Motore - Risposta irregolare al comando del gas	ESC/motore danneggiato	Riparare/sostituire il cablaggio o il motore/ESC
Motore - Rallenta ma non si ferma	Calibrazione trasmittente/ESC errata	Regolare la corsa e le altre impostazioni del comando del gas sulla trasmittente/ESC. Ripetere la procedura di calibrazione dell'ESC
Servo di sterzata - In funzione; il motore non gira	Motore danneggiato	Provare il motore separatamente dal sistema del veicolo, riparare/sostituire come necessario
	Calibrazione trasmittente/ESC errata	Regolare la corsa e le altre impostazioni del comando del gas sulla trasmittente/ESC. Ripetere la procedura di calibrazione dell'ESC
Sterzo/motore - Non funzionanti	Tensione batteria bassa	Ricaricare/sostituire
	Modello memoria selezionato nella trasmittente errato	Selezionare sulla trasmittente le impostazioni modello corrette; vedere il manuale di ricevitore e/o trasmittente
	Ricevitore non associato alla trasmittente	Associare trasmittente e ricevitore; vedere il manuale di ricevitore e/o trasmittente
Veicolo - Non raggiunge la velocità max	Problema con la batteria	Ricaricare/sostituire
	Calibrazione trasmittente/ESC errata	Regolare la corsa e le altre impostazioni del comando del gas sulla trasmittente/ESC. Ripetere la procedura di calibrazione dell'ESC

GARANZIA

Periodo di garanzia

Garanzia esclusiva - Horizon Hobby, LLC (Horizon) garantisce che il prodotto acquistato (il "Prodotto") sarà privo di difetti relativi ai materiali e di eventuali errori di montaggio alla data di acquisto. Il periodo di garanzia è conforme alle disposizioni legali del paese nel quale il prodotto è stato acquistato. Tale periodo di garanzia ammonta a 6 mesi e si estende ad altri 18 mesi dopo tale termine.

Limiti della garanzia

- La garanzia è limitata all'acquirente originale (Acquirente) e non è cedibile a terzi. L'acquirente ha il diritto a far riparare o a far sostituire la merce durante il periodo di questa garanzia. La garanzia copre solo quei prodotti acquistati presso un rivenditore autorizzato Horizon. Altre transazioni di terze parti non sono coperte da questa garanzia. La prova di acquisto è necessaria per far valere il diritto di garanzia. Inoltre, Horizon si riserva il diritto di cambiare o modificare i termini di questa garanzia senza alcun preavviso e di escludere tutte le altre garanzie già esistenti.
- Horizon non si assume alcuna garanzia per la disponibilità del prodotto, per l'adeguatezza o l'idoneità del prodotto a particolari previsti dall'utente. È sola responsabilità dell'acquirente il fatto di verificare se il prodotto è adatto agli scopi da lui previsti.
- Richiesta dell'acquirente – spetta soltanto a Horizon, a propria discrezione riparare o sostituire qualsiasi prodotto considerato difettoso e che rientra nei termini di garanzia. Queste sono le uniche rivealse a cui l'acquirente si può appellare, se un prodotto è difettoso.

Horizon si riserva il diritto di controllare qualsiasi componente utilizzato che viene coinvolto nella rivealse di garanzia. Le decisioni relative alla sostituzione o alla riparazione sono a discrezione di Horizon. Questa garanzia non copre dei danni superficiali o danni per cause di forza maggiore, uso errato del prodotto, un utilizzo che viola qualsiasi legge, regolamentazione o disposizione applicabile, negligenza, uso ai fini commerciali, o una qualsiasi modifica a qualsiasi parte del prodotto.

Questa garanzia non copre danni dovuti ad un'installazione errata, ad un funzionamento errato, ad una manutenzione o un tentativo di riparazione non idonei a cura di soggetti diversi da Horizon. La restituzione del prodotto a cura dell'acquirente, o da un suo rappresentante, deve essere approvata per iscritto dalla Horizon.

Limiti di danno

Horizon non si riterrà responsabile per danni speciali, diretti, indiretti o consequenziali; perdita di profitto o di produzione; perdita commerciale connessa al prodotto, indipendentemente dal fatto che la richiesta si basa su un contratto o sulla garanzia. Inoltre la responsabilità di Horizon non supera mai in nessun caso il prezzo di acquisto del prodotto per il quale si chiede la responsabilità. Horizon non ha alcun controllo sul montaggio, sull'utilizzo o sulla manutenzione del prodotto o di combinazioni di vari prodotti. Quindi Horizon non accetta nessuna responsabilità per danni o lesioni derivanti da tali circostanze. Con l'utilizzo e il montaggio del prodotto l'utente acconsente a tutte le condizioni, limitazioni e riserve di garanzia citate in questa sede.

Qualora l'utente non fosse pronto ad assumersi tale responsabilità associata all'uso del prodotto, si suggerisce di restituire il prodotto intatto, mai usato e immediatamente presso il venditore.

Indicazioni di sicurezza

Questo è un prodotto sofisticato di hobbistica e non è un giocattolo. Esso deve essere manipolato con cautela, con giudizio e richiede delle conoscenze basilari di meccanica e delle facoltà mentali di base. Se il prodotto non verrà manipolato in maniera sicura e responsabile potrebbero risultare delle lesioni, dei gravi danni a persone, al prodotto o all'ambiente circostante. Questo prodotto non è concepito per essere usato dai bambini senza una diretta supervisione di un adulto. Il manuale del prodotto contiene le istruzioni di sicurezza, di funzionamento e di manutenzione del prodotto stesso. È fondamentale leggere e seguire tutte le istruzioni e le avvertenze nel manuale prima di mettere in funzione il prodotto. Solo così si eviterà un utilizzo errato e si eviteranno incidenti, lesioni o danni.

Domande, assistenza e riparazioni

Il vostro negozio locale e/o luogo di acquisto non possono fornire garanzie di assistenza o riparazione senza previo colloquio con Horizon. Questo vale anche per le riparazioni in garanzia. Quindi in tali casi bisogna interpellare un rivenditore, che si metterà in contatto subito con Horizon per prendere una decisione che vi possa aiutare nel più breve tempo possibile.

Manutenzione e riparazione

Se il prodotto deve essere ispezionato o riparato, si prega di rivolgersi ad un rivenditore specializzato o direttamente ad Horizon. Il prodotto deve essere imballato con cura. Bisogna far notare che i box originali solitamente non sono adatti per effettuare una spedizione senza subire alcun danno. Bisogna effettuare una spedizione via corriere che fornisce una tracciabilità e un'assicurazione, in quanto Horizon non si assume alcuna responsabilità in relazione alla spedizione del prodotto. Inserire il prodotto in una busta assieme ad una descrizione dettagliata degli errori e ad una lista di tutti i singoli componenti spediti. Inoltre abbiamo bisogno di un indirizzo completo, di un numero di telefono per chiedere ulteriori domande e di un indirizzo e-mail.

Garanzia e riparazione

Le richieste di garanzia verranno elaborate solo se è presente una prova d'acquisto in originale proveniente da un rivenditore specializzato autorizzato, nella quale è ben visibile la data di acquisto. Se la garanzia viene confermata, allora il prodotto verrà riparato o sostituito. Questa decisione spetta esclusivamente a Horizon Hobby.

Riparazioni a pagamento

Se bisogna effettuare una riparazione a pagamento, effettueremo un preventivo che verrà inoltrato al vostro rivenditore. La riparazione verrà effettuata dopo l'autorizzazione da parte del vostro rivenditore. La somma per la riparazione dovrà essere pagata al vostro rivenditore. Le riparazioni a pagamento avranno un costo minimo di 30 minuti di lavoro e in fattura includeranno le spese di restituzione. Qualsiasi riparazione non pagata e non richiesta entro 90 giorni verrà considerata abbandonata e verrà gestita di conseguenza.

ATTENZIONE: Le riparazioni a pagamento sono disponibili solo sull'elettronica e sui motori. Le riparazioni a livello meccanico, soprattutto per gli elicotteri e le vetture RC, sono molto costose e devono essere effettuate autonomamente dall'acquirente.

10/15

GARANZIA E ASSISTENZA - INFORMAZIONI PER I CONTATTI

STATO DI ACQUISTO	HORIZON HOBBY	TELEFONO/INDIRIZZO E-MAIL	INDIRIZZO
Unione Europea	Horizon Technischer Service Sales: Horizon Hobby GmbH	service@horizonhobby.de +49 (0) 4121 2655 100	Hanskampring 9 D 22885 Barsbüttel, Germany

DICHIARAZIONE DI CONFORMITÀ PER L'UNIONE EUROPEA

CE DICHIARAZIONE DI CONFORMITÀ UE: **Axial SCX10 III Jeep Wrangler (AXI03003)**

Horizon Hobby, LLC dichiara che il presente prodotto è conforme ai requisiti essenziali e ad altre disposizioni rilevanti delle direttive RED e EMC. Una copia della dichiarazione di conformità UE è disponibile online all'indirizzo: <http://www.horizonhobby.com/content/support-render-compliance>.

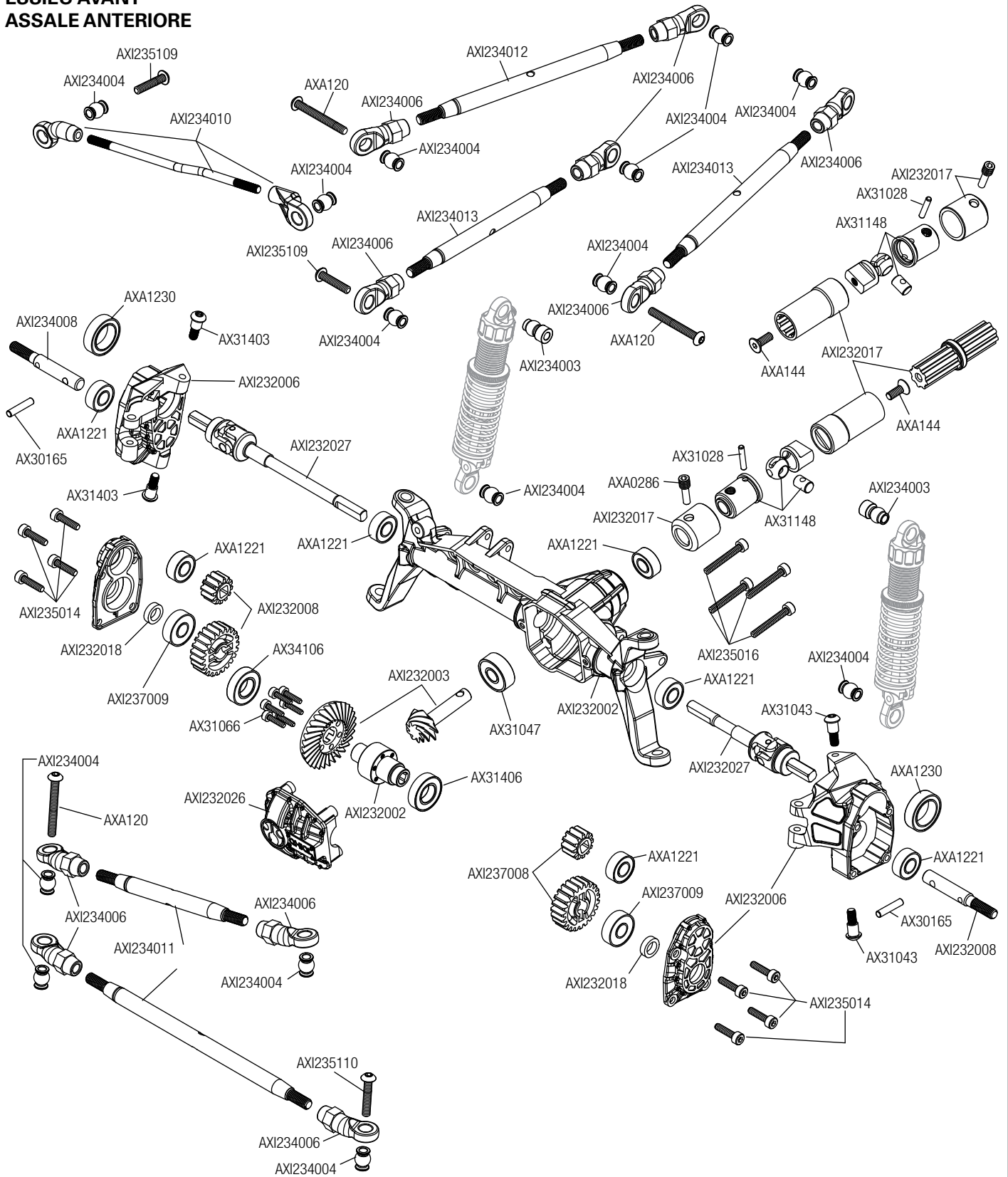
ISTRUZIONI DEL RAEE PER LO SMALTIMENTO DA PARTE DI UTENTI DELL'UNIONE EUROPEA



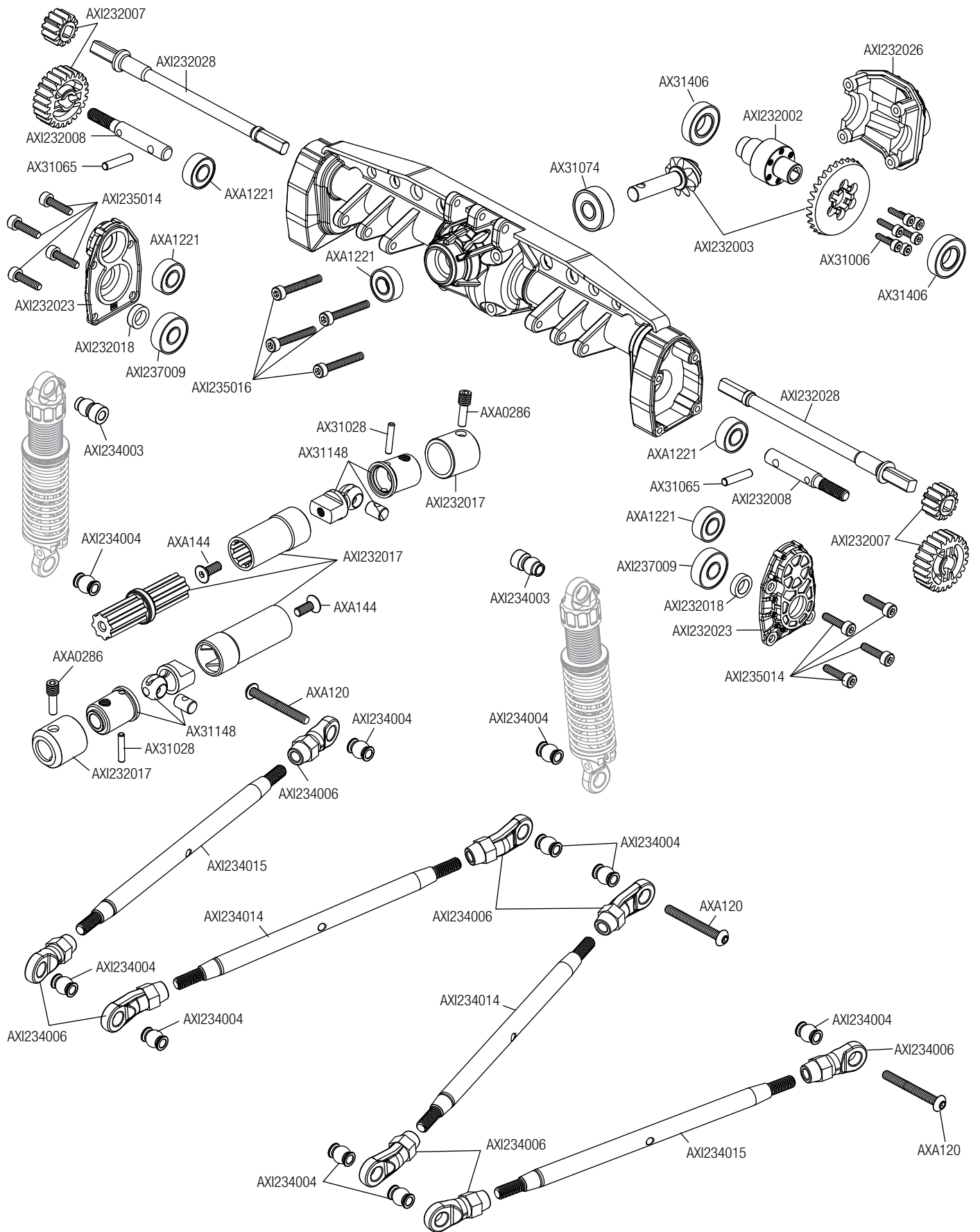
Questo prodotto non deve essere smaltito assieme ai rifiuti domestici. Al contrario, l'utente è responsabile dello smaltimento di tali rifiuti che devono essere portati in un centro di raccolta designato per il riciclaggio di rifiuti elettrici e apparecchiature elettroniche. La raccolta differenziata e il riciclaggio di tali rifiuti provenienti da apparecchiature nel momento dello smaltimento aiuteranno a preservare le risorse naturali e garantiranno un riciclaggio adatto a proteggere il benessere dell'uomo e dell'ambiente. Per maggiori informazioni sui centri di raccolta, contattare il proprio ufficio locale, il servizio di smaltimento rifiuti o il negozio presso il quale è stato acquistato il prodotto.

EXPLODED VIEWS // EXPLOSIONSZEICHNUNGEN // VUES ÉCLATÉES // VISTE ESPOSE

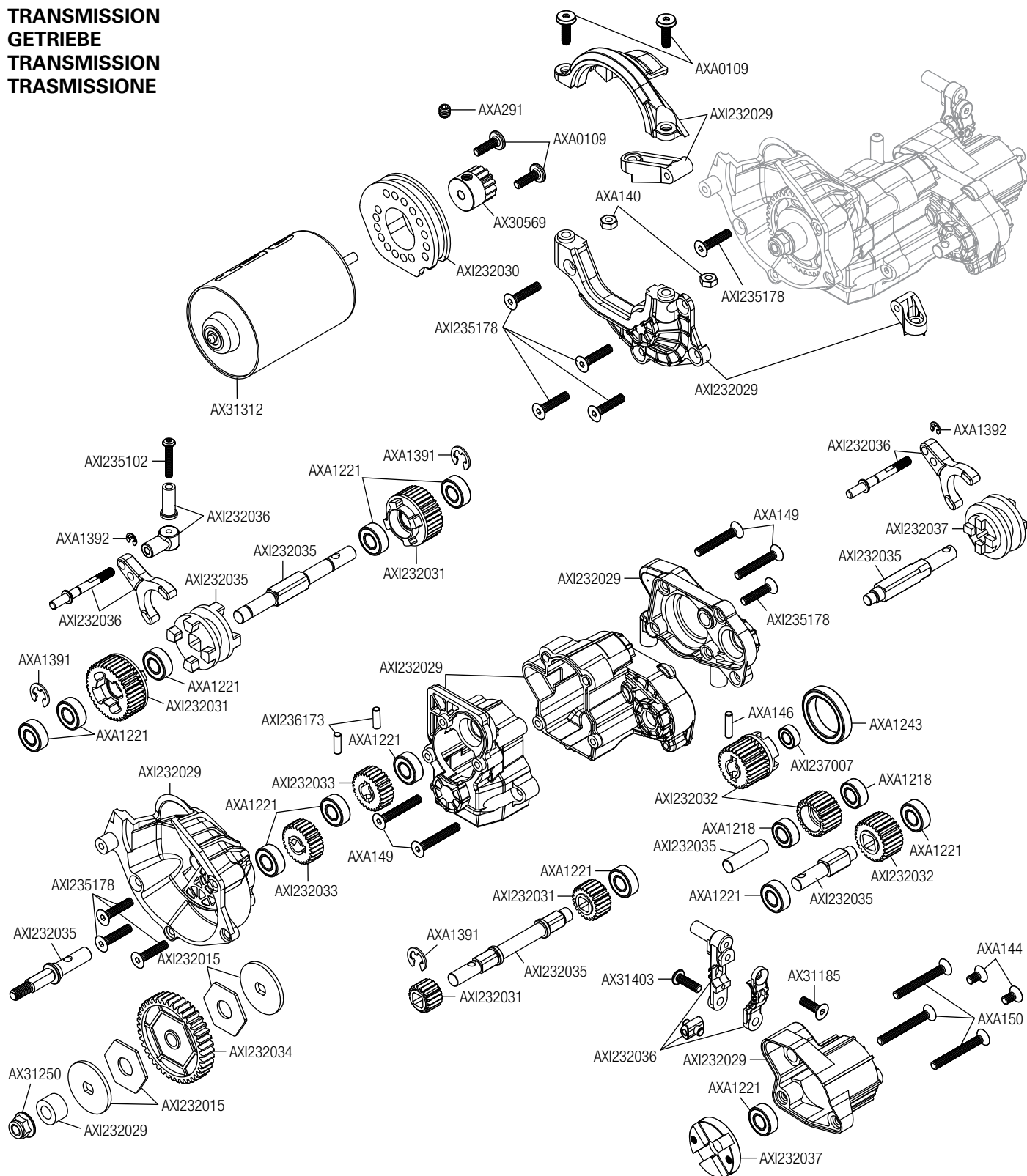
**FRONT AXLE
VORDERACHSE
ESSIEU AVANT
ASSALE ANTERIORE**



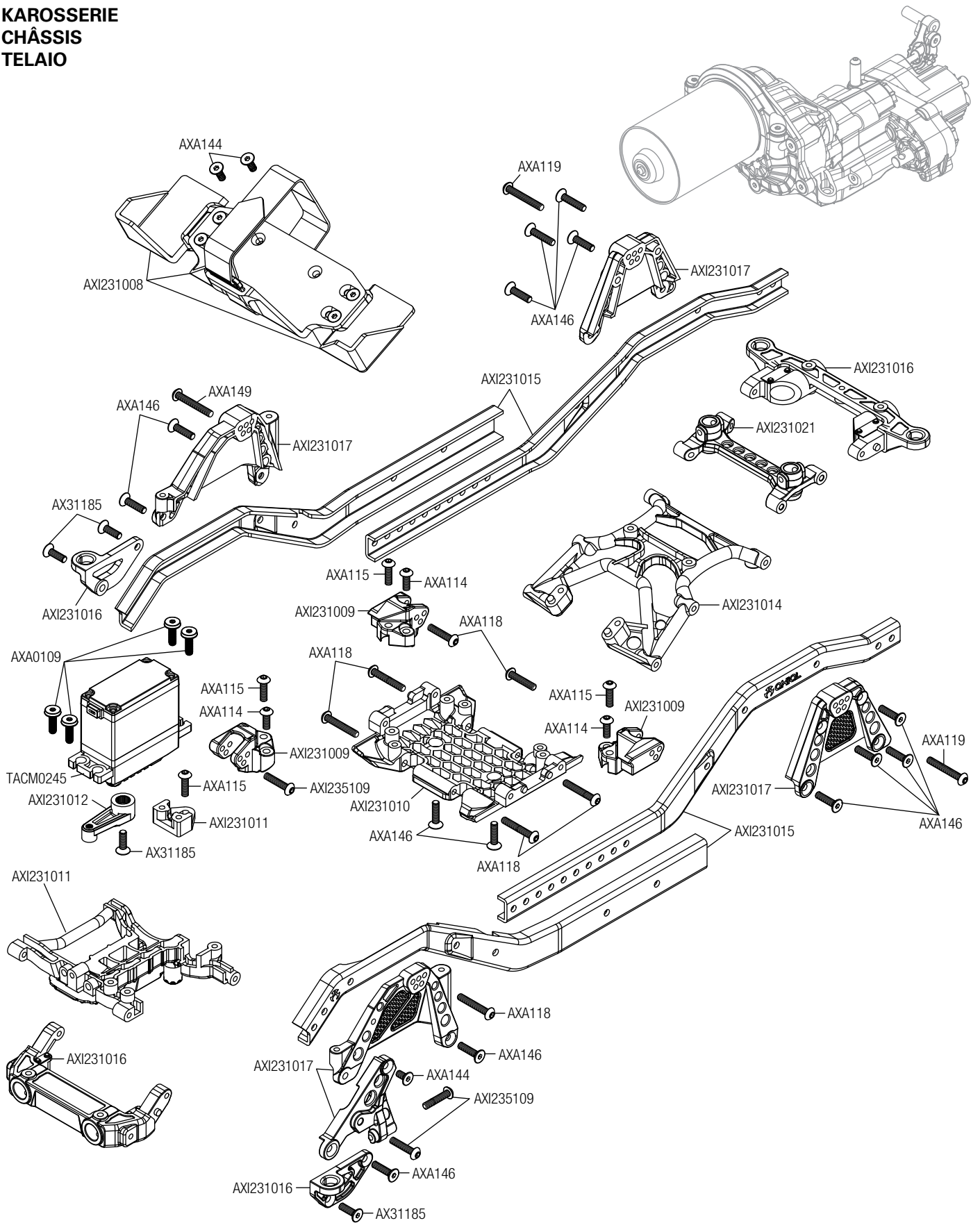
**REAR AXLE
HINTERACHSE
ESSIEU ARRIÈRE
ASSALE POSTERIORE**



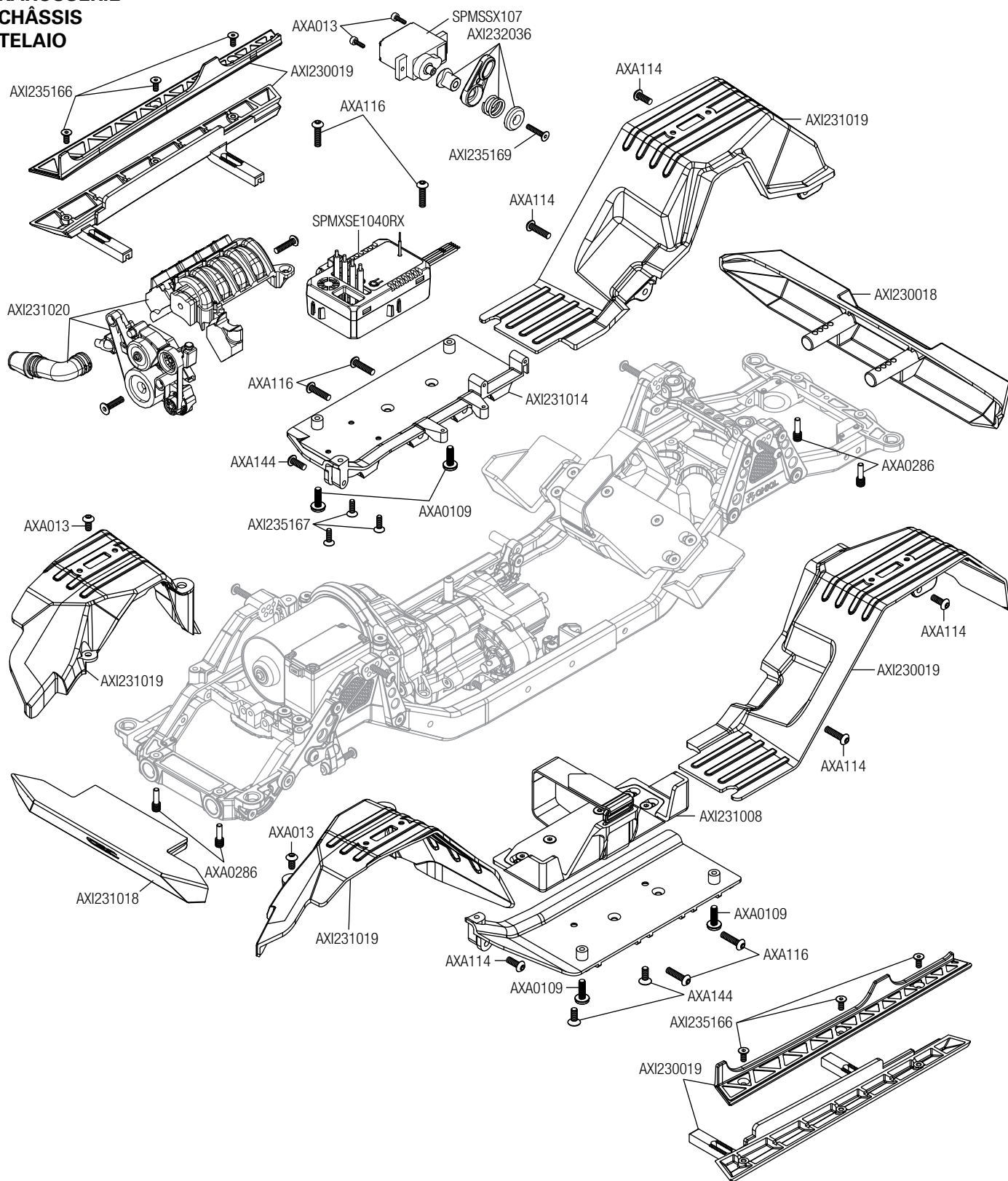
**TRANSMISSION
GETRIEBE
TRANSMISSION
TRASMISSIONE**



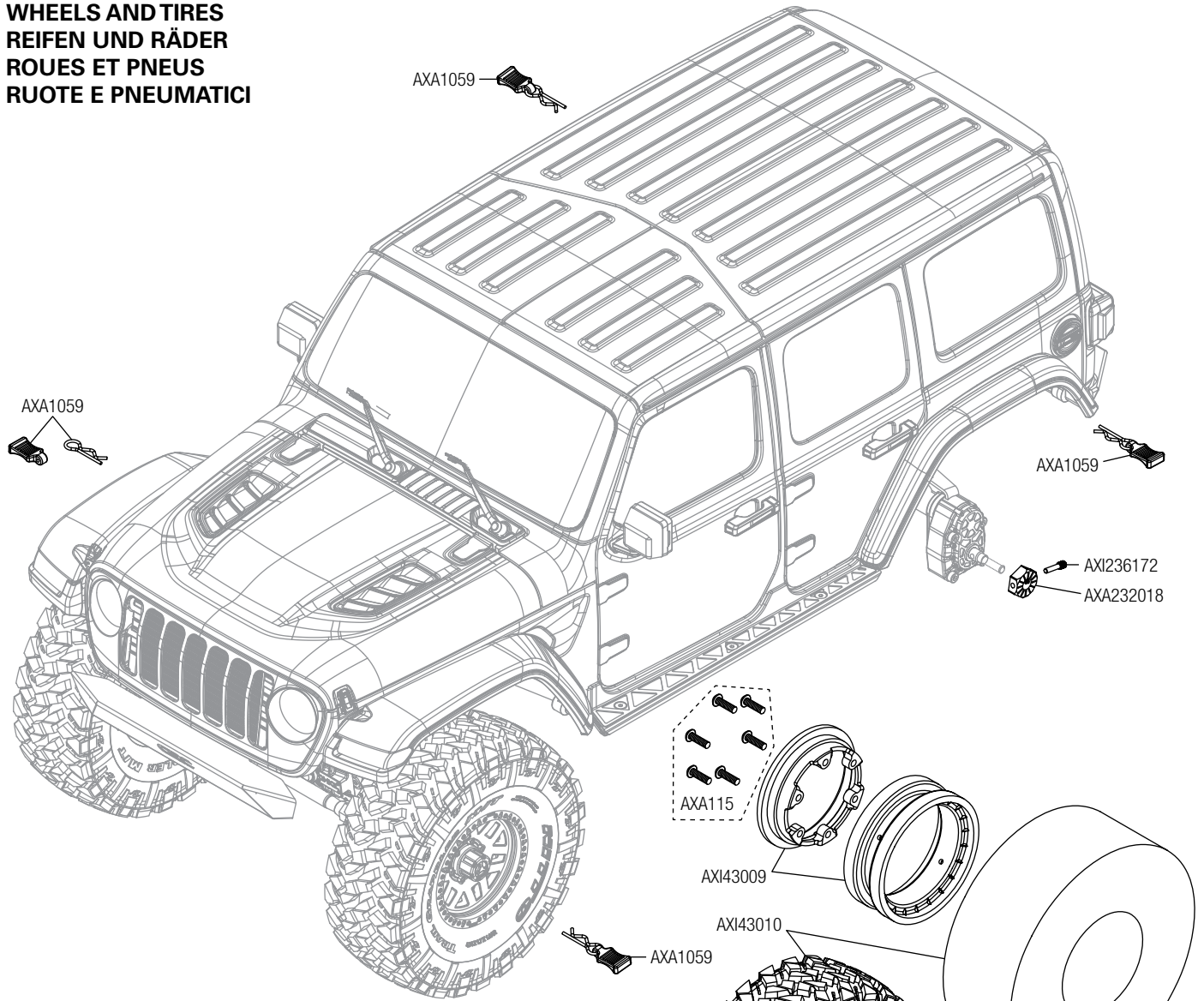
**CHASSIS
KAROSERIE
CHÂSSIS
TELAIO**



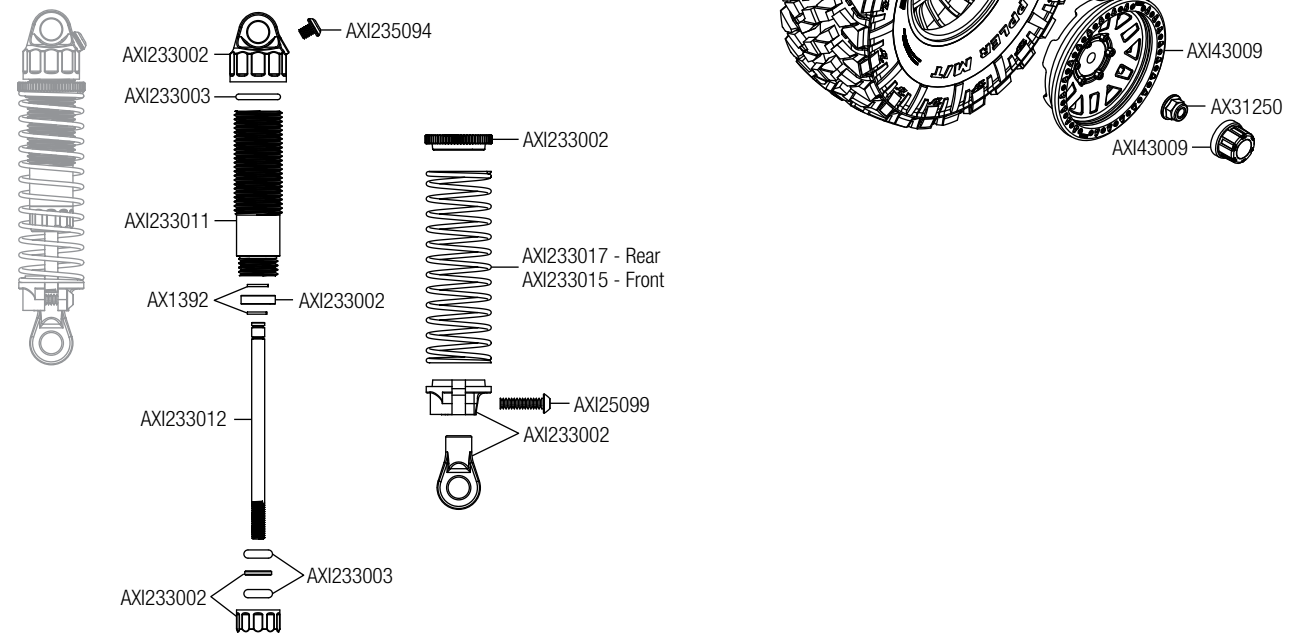
**CHASSIS
KAROSSERIE
CHÂSSIS
TELAIO**



**WHEELS AND TIRES
REIFEN UND RÄDER
ROUES ET PNEUS
RUOTE E PNEUMATICI**



**SHOCK ABSORBERS
STOSSDÄMPFER
AMORTISSEURS
AMMORTIZZATORI**



PARTS LISTS // TEILELISTEN // LISTE DES PIÈCES // ELENCO COMPONENTI

Part #	Description	Beschreibung	Description	Descrizione
AX30165	2.5 x 12mm Pin	Stift 2,5 x12mm (6)	Axe M2,5 x12mm (6)	Perno 2,5 x 12mm (6)
AX30569	Pinion 48P 14T Steel	Ritzel 48P 14T Stahl	Pignon 48P 14T en acier	Pignone 48P 14T acciaio
AX31028	2 x 11mm Pin	Stift 2 x 11mmmm (6)	Axe 2 x 11mm (6)	Perno 2 x 11mm (6)
AX31066	M2 x 8mm Cap Head Screw	Inbusschraube M2 x 8mm, schwarz (10)	Vis d'assemblage creuse M2 x 8mm noire (10)	Vite a testa cilindrica M2 x 8mm nero (10)
AX31148	WB8-HD Driveshaft Coupler Set	WB8-HD Antriebswelle Koppler-Satz	Ensemble de coupleur d'arbre de transmission WB8-HD	Set accoppiatore dell'albero di trasmissione WB8-HD
AX31185	M3 x 10mm Flat Head Screw	Sechskant-Flachkopfschraube, M3 x 10mm, schwarz (10)	Douille à six pans à tête plate M3 x 10mm noire (10)	Vite a testa piana esagonale M3 x 10mm nero (10)
AX31250	Serrated Nylon Nut Black 4mm (10)	Nylon-Feststellflanschmutter, 4mm (10)	Contre-écrou en nylon strié 4mm (10)	Dato flangiato Nylock nero 4mm (10)
AX31403	M3 x 4 x 10mm Hex Button Head Shoulder Screw (6)	M3 x 4 x 10 mm Sechskant-Rundkopf-Schulter-schraube (6)	Vis à épaulement à tête bombée hexagonale M3 x 4 x 10 mm (6)	Vite a perno testa tonda esagonale M3 x 4 x 10 mm (6)
AX31406	7mm x 14mm x 3.5mm Bearing	Lager 7mm x 14mm x 3,5mm	Roulement 7mm x 14mm x 3,5mm	Cuscinetto 7mm x 14mm x 3,5mm
AX31407	5mm x 14mm x 5mm Bearing	Lager 5mm x 14mm x 5mm	Roulement 5mm x 14mm x 5mm	Cuscinetto 5mm x 14mm x 5mm
AX31586	WB8 HD Std Driveshafts	WB8-HD Standard-Antriebswelle	Arbre de transmission standard WB8-HD	Albero di trasmissione standard WB8-HD
AXA0109	Hex Socket Oversize Head 3x10mm (10)	Übergroße Sechskantschraube 3 x 10 mm (10)	Douille à six pans surdimensionnée 3 x 10 mm (10)	Vite oversize con esagono incassato 3x10 mm (10)
AXA0113	M3 x 6mm Button Head Screw	Sechskant-Rundkopfschraube, M3 x 6mm	Douille à six pans à tête bombée M3 x 6mm	Vite a testa tonda con esagono incassato M3 x 6mm
AXA013	M2 x 6mm Cap Head Screw	Inbusschraube M2 x 6mm, schwarz (10)	Vis d'assemblage creuse M2 x 6mm noire (10)	Vite a testa cilindrica M2 x 6mm nero (10)
AXA0286	M4 x 12mm Screw	Schraubenschaft M4 x 2,5 x 12 mm	Tige de vis M4 x 2,5 x 12mm	Albero filettato M4 x 2.5 x 12mm
AXA086	M3 x 12mm Cap Head Screw	Inbusschraube M3 x 12mm, schwarz (10)	Vis d'assemblage creuse M# x 12mm noire (10)	Vite a testa cilindrica M# x 12mm nero (10)
AXA1040	Thin Hex Nut M3 Black (10)	Dünne Sechskantmutter M3 Schwarz (10)	Contre-écrou à six pans fin M3 noir (10)	Dado esagonale sottile M3 nero (10)
AXA1050	M3 x 25mm Hex Socket Flat Head Screw (10)	M3 x 25 mm Sechskant-Flachkopfschraube (10)	Douille à six pans à tête plate 3 x 25 mm (10)	Vite a testa piatta con esagono incassato M3 x 25 mm (10)
AXA114	M3 x 8mm Button Head Screw	Sechskant-Rundkopfschraube, M3 x 8mm	Douille à six pans à tête bombée M3 x 8mm	Vite a testa tonda con esagono incassato M3 x 8mm
AXA115	M3 x 10mm Button Head Screw	Sechskant-Rundkopfschraube, M3 x 10mm	Douille à six pans à tête bombée M3 x 10mm	Vite a testa tonda con esagono incassato M3 x 10mm
AXA116	M3 x 12mm Button Head Screw	Sechskant-Rundkopfschraube, M3 x 12mm	Douille à six pans à tête bombée M3 x 12mm	Vite a testa tonda con esagono incassato M3 x 12mm
AXA1179	O-Ring 2.5 x 1.5mm (10)	O-Ring 2,5 x 1,5 mm (10)	Joint torique 2,5 x 1,5 mm (10)	O-Ring 2,5 x 1,5 mm (10)
AXA118	M3 x 18mm Button Head Screw	Sechskant-Rundkopfschraube, M3 x 18mm	Douille à six pans à tête bombée M3 x 18mm	Vite a testa tonda con esagono incassato M3 x 18mm
AXA119	M3 x 20mm Button Head	Sechskant-Rundkopfschraube, M3 x 20mm	Douille à six pans à tête bombée M3 x 20mm	Vite a testa tonda con esagono incassato M3 x 20mm
AXA120	M3 x 25mm Button Head	Sechskant-Rundkopfschraube, M3 x 25mm	Douille à six pans à tête bombée M3 x 25mm	Vite a testa tonda con esagono incassato M3 x 25mm
AXA1201	O-Ring 3 x 2mm P3 (10)	O-Ring 3 x 2 mm P3 (10)	Joint torique 3 x 2 mm P3 (10)	O-Ring 3 x 2 mm P3 (10)
AXA1218	5mm x 10mm x 4mm Bearing	Lager 5mm x 10mm x 4mm	Roulement 5mm x 10mm x 4mm	Cuscinetto 5mm x 10mm x 4mm
AXA1221	5mm x 11mm x 4mm Bearing	Lager 5mm x 11mm x 4mm	Roulement 5mm x 11mm x 4mm	Cuscinetto 5mm x 11mm x 4mm
AXA1230	10mm x 15mm x 4mm Bearing	Lager 10mm x 15mm x 4mm	Roulement 10mm x 15mm x 4mm	Cuscinetto 10mm x 15mm x 4mm
AXA1243	15mm x 21mm x 4mm Bearing	Lager 15mm x 21mm x 4mm	Roulement 15mm x 21mm x 4mm	Cuscinetto 15mm x 21mm x 4mm
AXA1391	E-Clips, 4mm	E-Clip, 4mm	E-Clip, 4mm	E-Clip, 4mm
AXA1392	E-Clip E2 (10)	E-Clip E2 (10)	E-Clip, E2 (10)	E-Clip, E2 (10)
AXA144	M3 x 8mm Flat Head	Sechskant-Flachkopfschraube, M3 x 8mm, schwarz (10)	Douille à six pans à tête plate M3 x 8mm noire (10)	Vite a testa piana esagonale M3 x 8mm nero (10)
AXA146	M3 x12mm Flat Head	Sechskant-Flachkopfschraube, M3 x 12mm, schwarz (10)	Douille à six pans à tête plate M3 x 12mm noire (10)	Vite a testa piana esagonale M3 x 12mm nero (10)
AXA291	M4 x 4mm Setscrew	Stellschraube, M4 x 4mm, Schwarzoxid (6)	Vis de fixation M4 x 4mm brunie (6)	Vite di fermo M4 x 4 mm ossido nero (6)
AXA31231	Body Clips, 6mm	Gehäuseklemmen, 6mm	Clips de carrosserie, 6mm	Clip carrozzeria, 6mm
AXA31374	Body Clips, 3mm	Gehäuseklemmen, 3mm	Clips de carrosserie, 3mm	Clip carrozzeria, 3mm
AXA469	M3 x 20mm Flat Head Screw	Sechskant-Flachkopfschraube, M3 x 20mm, schwarz (10)	Douille à six pans à tête plate M3 x 20mm noire (10)	Vite a testa piana esagonale M3 x 20mm nero (10)
AXA695	M3x 10mm Flat Head Screw	Sechskant-Flachkopfschraube, M3 x 10mm, schwarz (10)	Douille à six pans à tête plate M3 x 10mm noire (10)	Vite a testa piana esagonale M3 x 10mm nero (10)
AXI150	M3 x 25mm Flat Head Screw	Sechskant-Flachkopfschraube, M3 x 25mm, schwarz (10)	Douille à six pans à tête plate M3 x 25mm noire (10)	Vite a testa piana esagonale M3 x 25mm nero (10)
AXI230015	Jeep JL 4dr Wrangler Body (Clear)	Jeep JL Allrad Wrangler-Karosserie (Farblos)	Carrosserie de Jeep JL 4dr Wrangler (transparente)	Carrozzeria Jeep JL 4dr Wrangler (trasparente)
AXI230016	Interior Jeep JLU (Clear)	Innenraum Jeep JLU (Farblos)	Intérieur Jeep JLU (transparent)	Interni Jeep JLU (trasparente)
AXI230017	Roll Cage Set	Überrollkäfig-Satz	Ensemble de cage de retournement	Set scocca di sicurezza
AXI230018	CRC JL Front & Rear Bumper	CRC JL Front- und Heckstoßstange	Pare-chocs avant et arrière CRC JL	Paraurti anteriore e posteriore CRC JL
AXI230019	CRC Rock Rails JLU Wrangler	CRC Rock Rails JLU Wrangler	Rails CRC Rock JLU Wrangler	Predellini CRC JLU Wrangler

Part #	Description	Beschreibung	Description	Descrizione
AXI230020	Radiator & Front Fenders Jeep JLU	Kühler und vorderer Kotflügel Jeep JLU	Radiateur et ailes avant Jeep JLU	Parafanghi anteriori e radiatore Jeep JLU
AXI230021	Rear Fenders Jeep JLU	Hinterer Kotflügel Jeep JLU	Ailes arrière Jeep JLU	Parafanghi posteriori Jeep JLU
AXI230022	Exterior Body Detail Parts Jeep JLU	Teile Außenausstattung Karosserie Jeep JLU	Pièces de détails de carrosserie extérieurs Jeep JLU	Dettagli carrozzeria esterna Jeep JLU
AXI230023	Body Mount Set Rear Jeep JLU	Hinterer Gehäusehalterungssatz Jeep JLU	Ensemble de support de carrosserie arrière Jeep JLU	Set supporto carrozzeria posteriore Jeep JLU
AXI230024	Jeep JLU Brake Light Lens & Bucket	Jeep JLU Bremslichtlinse und Balken	Lentille et spot de feu de freinage Jeep JLU	Fari e fanali freni Jeep JLU
AXI230025	Universal Body Post Set	Universal-Gehäusestangensatz	Ensemble de poteaux de carrosserie universels	Set supporti carrozzeria universale
AXI231008	Battery Tray Sets & Strap	Akkualterungsätze und Riemen	Ensembles de supports de batterie avec sangle	Fascette e set supporto batteria
AXI231009	Upper Center Link Mounts	Obere mittige Gestängehalterungen	Supports pour tringlerie centrale supérieure	Supporti braccetti centrali superiori
AXI231010	Center Transmission Skid Plate	Mittiges Getriebe-Gleitbrett	Plaque de protection pour transmission centrale	Piastra proteggi trasmissione centrale
AXI231011	Steering Mount Chassis Brace	Lenkhalterung Karosseriestrebe	Support de châssis de direction	Sostegno telaio supporto sterzo
AXI231012	Servo Horn, Metal 23T	Servohorn, Metall 23T	Renvoi de commande de servo, métal 23T	Squadretta servo, Metallo 23T
AXI231013	Servo Horn, Metal 25T	Servohorn, Metall 25T	Renvoi de commande de servo, métal 25T	Squadretta servo, Metallo 25T
AXI231014	Side Plates & Chassis Brace	Seitenplatten und Karosseriestrebe	Plaques latérales et support de châssis	Piastre laterali e sostegno telaio
AXI231015	Frame Rail Set	Rahmenschienensatz	Ensemble de rails du cadre	Set guida telaio
AXI231016	Bumper/Body Mounts Chassis FR/RR	Stoßstange/Gehäusehalterung Karosserie Front/Heck	Châssis avec supports de pare-chocs et de carrosserie AV/AR	Telaio supporti carrozzeria/ammortizzatore FR/RR
AXI231017	Shock Towers & Panhard Mounts FR/RR	Stoßdämpferbrücken und Panhard-Halterungen Front/Heck	Tours d'amortisseurs et supports Panhard AV/AR	Torre ammortizzatore e supporti Panhard FR/RR
AXI231018	Receiver Box	Empfängerbox	Boîtier de récepteur	Scatola ricevitore
AXI231019	Inner Fender Liners	Innere Kotflügelbeschichtungen	Revêtements de l'aile interne	Rivestimenti parafangho interno
AXI231020	Motor Cover	Motorabdeckung	Couvercle du moteur	Carter motore
AXI231021	Upper Shock Tower Braces	Obere Stoßdämpferbrückenstreben	Supports de tours d'amortisseurs supérieures	Sostegni torre ammortizzatore superiori
AXI232002	6-Bolt Differential Locker	6-Schrauben-Differenzial-Sicherung	Blocage différentiel à 6 boulons	Blocco differenziale 6 bulloni
AXI232003	6 Bolt Heavy Duty Gear Set	6-Schrauben-Schwerlast-Zahnradatz	Ensemble d'engrenages haute résistance à 6 boulons	Set ingranaggio impieghi gravosi 6 bulloni
AXI232006	Currie F9 Portal Steering Knuckle Caps: Capra	Currie F9 Portal-Achsschenkel und -abdeckung: UTB	Rotule de direction et coiffe du portique Currie F9, arrière : UTB	Currie F9 Portal, fuso a snodo e tappo: UTB
AXI232007	32P Portal Gear Set, 23T/12T	32P Portalachssatz 23T/12T (2)	Ensemble engrenage portique 32P 23T/12T (2)	Set ingranaggi 32P Portal 23T/12T (2)
AXI232008	Portal Stub Axle (2)	Portalachsschenkel (2)	Demi-essieu du portique (2)	Fusello Portal (2)
AXI232015	Slipper Pads Plates:	Grabgetriebe-Gleitschuhe/-platten: UTB	Sabots de pistons/plaques de sabot de transmission dig : UTB	Piastre/pattini di scorrimento trasmissione dig: UTB
AXI232017	Wild Boar Driveshaft Set: Capra	Wild Boar-Antriebswellensatz: UTB	Ensemble d'arbres de transmission Wild Boar : UTB	Set albero di trasmissione Wild Boar: UTB
AXI232018	12mm Hex Screw Shaft & Spacer (4): Capra	12-mm-Sechskantstift und Abstandhalter (4): UTB	Broche hexagonale 12mm et entretoise (4) : UTB	Distanziale e perno esagonale 12mm (4): UTB
AXI232022	AR45P Portal Axle Housing (Front)	AR45P Portalachsgehäuse (Vorn)	Carter d'essieu du portique AR45P (avant)	Alloggiamento assale AR45P Portal (anteriore)
AXI232023	AR45P Portal Axle Housing (Rear)	AR45P Portalachsgehäuse (Hinten)	Carter d'essieu du portique AR45P (arrière)	Alloggiamento assale AR45P Portal (posteriore)
AXI232026	AR45 Differential Cover	AR45 Differenzialgehäuse	Cache différentiel AR45	Carter differenziale AR45
AXI232027	AR45P Universal Axle Set (2pcs)	AR45P Universal-Achsensatz (2 Stk)	Ensemble d'essieux universels AR45P (2 pièces)	Set assale universale AR45P (2 pezzi)
AXI232028	AR45P Straight Axle Shaft (2pc):SCX10III	AR45P Gerade Achswelle (2 Stk)	Arbre d'essieu droit AR45P (2 pièces)	Albero assale dritto AR45P (2 pezzi)
AXI232029	Transmission Housing Set	Getriebegehäusesatz	Ensemble de carter de transmission	Set alloggiamento trasmissione
AXI232030	Motor Mount Plate: SCX10 III	Motorhalterungsplatte: SCX10 III	Plaque de support du moteur : SCX10 III	Piastra supporto motore: SCX10 III
AXI232031	Internal Metal Drive Gears	Interne Metall-Antriebszahnäder	Engrenages d'entraînement métalliques internes	Ingranaggi interni trasmissione in metallo
AXI232032	Transfer Case Metal Gears	Transfergehäuse Metallgetriebe	Engrenages métalliques de boîte de transfert	Ingranaggi in metallo custodia di trasferimento
AXI232033	Input Metal Gears 27T, 20T & 34T	Metallgetriebe Eingabe 27T, 20T und 34T	Engrenages métalliques d'entrée 27T, 20T et 34T	Ingranaggi in metallo ingresso 27T, 20T e 34T
AXI232034	40T Metal Spur Gear	40T Metall-Stirnrädergetriebe	Engrenage cylindrique métallique 40T	Corona in metallo 40T
AXI232035	Transmission Shaft Set	Getriebewellensatz	Ensemble d'arbre de transmission	Set albero trasmissione
AXI232036	Dig/2-Speed Arm & Shaft Set	Graben/2-Geschwindigkeit Arm- und Wellensatz	Ensemble de bras et arbre Dig/2 vitesses	Set albero e braccio dig/2 velocità
AXI232037	Cog Set & Plate Dig/2-Speed	Zahnradatz und Platte Graben/2-Geschwindigkeit	Ensemble de pignons et plaque Dig/2 vitesses	Set denti e piastra dig/2 velocità
AXI233002	Shock Parts, Injeciton molded	Stoßdämpferteile, gegossen: UTB	Pièces de l'amortisseur moulées : UTB	Parti ammortizzatore stampate: UTB

Part#	Description	Beschreibung	Description	Descrizione
AXI233003	Shock O-Ring Set: Capra	O-Ring-Satz für den Stoßdämpfer: UTB	Ensemble de joints toriques d'amortisseur : UTB	Set O-Ring ammortizzatore: UTB
AXI233011	Threaded Shock Body Alum HA 11 x 38mm (2pc)	Gewinde-Stoßdämpfergehäuse Alum HA 11 x 38 mm (2 Stk)	Corps d'amortisseur fileté aluminium HA 11 x 38 mm (2 pièces)	Scocca ammortizzatore filettata in alluminio 11x38 mm HA (2 pz)
AXI233012	Shock Shaft M3 x 50mm (2pc)	Stoßdämpferkolbenstange M3 x 50mm (2)	Tiges d'amortisseur M3 x 50mm (2)	Alberino ammort., M3 x 50mm (2)
AXI233013	Spring 13 x 62mm .78lbs/in Purple Super Soft(2)	Feder 13 x 62 mm 0,78 lbs/in Violet Superweich (2)	Ressort 13 x 62 mm 0,78 lb/po violet très souple (2)	Molla 13 x 62 mm 0,78 lbs/in Viola supermorbida (2)
AXI233014	Spring 13 x 62mm 1.0lbs/in Orange Extra Soft (2)	Feder 13 x 62 mm 1,0 lbs/in Orange Extra weich (2)	Ressort 13 x 62 mm 1,0 lb/po orange extra souple (2)	Molla 13 x 62 mm 1,0 lbs/in Arancione extramorbida (2)
AXI233015	Spring 13 x 62mm 1.3 lbs/in Red Soft (2)	Feder 13 x 62 mm 1,0 lbs/in Rot weich (2)	Ressort 13 x 62 mm 1,3 lb/po rouge souple (2)	Molla 13 x 62 mm 1,3 lbs/in Rosso morbida (2)
AXI233016	Spring 13/62mm 1.9lbs/in White Medium	Feder 13 x 62 mm 1,9 lbs/in Weiß mittel	Ressort 13 x 62 mm 1,9 lb/po blanc moyen	Molla 13 x 62 mm 1,9 lbs/in Bianco medio
AXI233017	Spring 13 x 62mm 2.13lbs/in Firm Green (2)	Feder 13 x 62 mm 2,13 lbs/in Fest Grün (2)	Ressort 13 x 62 mm 2,13 lb/po vert ferme (2)	Molla 13 x 62 mm 2,13 lbs/in Verde dura (2)
AXI233018	Spring 13 x 62mm 2.5lbs/in Extra Firm Yellow (2)	Feder 13 x 62 mm 2,5 lbs/in Extra fest Gelb (2)	Ressort 13 x 62 mm 2,5 lb/po jaune extra ferme (2)	Molla 13 x 62 mm 2,5 lbs/in Giallo extradura (2)
AXI234003	Pivot Ball, Stainless Steel 12.75mm (4)	Kugelzapfen, Edelstahl 12,75 mm (4): UTB	Rotule, acier inoxydable 12,75mm (4) : UTB	Pivot ball, inossidabile, 12,75mm (4): UTB
AXI234004	Susp Pivot Ball, Stainless Steel 7.5mm (10)	Kugelzapfen für Federung, Edelstahl 7,5 mm	Rotule de suspension, acier inoxydable 7,5mm	Pivot ball sospensioni, indossabile, 7,5mm
AXI234006	HD Rod Ends M4 (20): Capra	Schwerlast-Stangenköpfe M4 (20): UTB	Embouts de bielle haute résistance M4 (20) : UTB	Teste a snodo per impiego gravoso M4 (20): UTB
AXI234010	Panhard Bar and links (Portal): SCX10 III	Panhard-Stange und Verbindungen (Portal)	Barre de Panhard et tringleries (portique)	Barra e braccetti Panhard (Portal)
AXI234011	Steering Links Stainless Steel	Spurstangen Edelstahl	Tringleries de direction, acier inoxydable	Braccetti di sterzo in acciaio inox
AXI234012	Stainless Steel M6 x 88mm Link (2pcs)	Edelstahl M6 x 88 mm Stange (2 Stk)	Bras en acier inoxydable M6 x 88 mm (2 pièces)	Braccetto M6 x 88 mm acciaio inox (2 pz)
AXI234013	Stainless Steel M6 x 97mm Link (2pcs)	Edelstahl M6 x 97 mm Stange (2 Stk)	Bras en acier inoxydable M6 x 97 mm (2 pièces)	Braccetto M6 x 97 mm acciaio inox (2 pz)
AXI234014	Stainless Steel M6x 109mm Link (2pcs)	Edelstahl M6 x 109 mm Stange (2 Stk)	Bras en acier inoxydable M6 x 109 mm (2 pièces)	Braccetto M6 x 109 mm acciaio inox (2 pz)
AXI234015	Stainless Steel M6 x 117mm Link (2pcs)	Edelstahl M6 x 117 mm Stange (2 Stk)	Bras en acier inoxydable M6 x 117 mm (2 pièces)	Braccetto M6 x 117 mm acciaio inox (2 pz)
AXI235007	M2 x 14mm Cap Head Screw (10)	Inbusschraube, M2 x 14mm (10)	Vis d'assemblage creuse, M2 x 14mm (10)	Vite a testa cilindrica M2 x 14mm (10)
AXI235014	M2.5 x 10mm Cap Head Screw	Inbusschraube, M2,5 x 10mm (10)	Vis d'assemblage creuse, M2,5 x 10mm (10)	Vite a testa cilindrica M2,5 x 10mm (10)
AXI235094	M2.5 x 3mm Button Head Screw	Rundkopfschraube, M2,5 x 3mm (10)	Vis à tête bombée, M2,5 x 3mm (10)	Vite a testa tonda M2,5 x 3mm (10)
AXI235097	M2.5 x 6mm Button Head Screw	Rundkopfschraube, M2,5 x 6mm (10)	Vis à tête bombée, M2,5 x 6mm (10)	Vite a testa tonda M2,5 x 6mm (10)
AXI235099	M2.5 x 10mm Button Head Screw	Rundkopfschraube, M2,5 x 10mm (10)	Vis à tête bombée, M2,5 x 10mm (10)	Vite a testa tonda M2,5 x 10mm (10)
AXI235102	M2.5 x 18mm Button Head Screw	Rundkopfschraube, M2,5 x 18mm (10)	Vis à tête bombée, M2,5 x 18mm (10)	Vite a testa tonda M2,5 x 18mm (10)
AXI235109	M3 x 14mm Button Head Screw	Rundkopfschraube, M3 x 14mm (10)	Vis à tête bombée, M3 x 14mm (10)	Vite a testa tonda M3 x 14mm (10)
AXI235110	M3 x 16mm Button Head Screw	Rundkopfschraube, M3 x 16mm (10)	Vis à tête bombée, M3 x 16mm (10)	Vite a testa tonda M3 x 16mm (10)
AXI235166	M2.5 x 6mm Flat Head Screw (10)	Sechskant-Flachkopfschraube, M2,5 x 6mm, schwarz (10)	Douille à six pans à tête plate M2,5 x 6mm noire (10)	Vite a testa piana esagonale M2,5 x 6mm nero (10)
AXI235167	M2.5 x 8mm Flat Head Screw (10)	Sechskant-Flachkopfschraube, M2,5 x 8mm, schwarz (10)	Douille à six pans à tête plate M2,5 x 8mm noire (10)	Vite a testa piana esagonale M2,5 x 8mm nero (10)
AXI235168	M2.5 x 10mm Flat Head Screw (10)	Sechskant-Flachkopfschraube, M2,5 x 10mm, schwarz (10)	Douille à six pans à tête plate M2,5 x 10mm noire (10)	Vite a testa piana esagonale M2,5 x 10mm nero (10)
AXI235169	M2.5 x 12mm Flat Head Screw	Sechskant-Flachkopfschraube, M2,5 x 12mm, schwarz (10)	Douille à six pans à tête plate M2,5 x 12mm noire (10)	Vite a testa piana esagonale M2,5 x 12mm nero (10)
AXI235174	M3 x 6mm Flat Head Screw (10)	Sechskant-Flachkopfschraube, M3 x 6mm, schwarz (10)	Douille à six pans à tête plate M3 x 6mm noire (10)	Vite a testa piana esagonale M3 x 6mm nero (10)
AXI235178	M3 x 14mm, Flat Head Screw (10)	Sechskant-Flachkopfschraube, M3 x 14mm, schwarz (10)	Douille à six pans à tête plate M3 x 14mm noire (10)	Vite a testa piana esagonale M3 x 14mm nero (10)
AXI235230	M2.5 x 18mm Cap Head Screw (10)	Inbusschraube, M2,5 x 18mm (10)	Vis d'assemblage creuse, M2,5 x 18mm (10)	Vite a testa cilindrica M2,5 x 18mm (10)
AXI236172	Screw Shaft M3 x 2.0 x 12mm (10)	Schraubenschaft M3 x 2 x 12mm	Tige de vis M3 x 2 x 12mm	Albero filettato M3 x 2 x 12mm
AXI236173	M2.5 x 8mm Pin (6)	Stift 2,5x8mm (6)	Axe M2,5x8mm (6)	Perno 2,5x8mm (6)
AXI237003	4mm x 8mm x 3mm Ball Bearing (2)	Lager 4mm x 8mm x 3mm	Roulement 4mm x 8mm x 3mm	Cuscinetto 4mm x 8mm x 3mm
AXI237009	5mm x 13mm x 4mm Bearing	Lager 5mm x 13mm x 4mm	Roulement 5mm x 13mm x 4mm	Cuscinetto 5mm x 13mm x 4mm
AXI43009	1.9 KMC Machete Beadlock Wheels, Satin (2)	1.9 KMC Machete Beadlock-Räder, Satin (2)	Roues à verrou de talon Machete 1,9 KMC, satinées (2)	1.9 KMC Ruote Machete Beadlock, Satinato (2 pz)
AXI43010	1.9 Nitto Trail Grappler M/T 4.74 (Wide) (2)	1.9 Nitto Trail Grappler M/T 4,74 (Breite) (2)	1,9 Nitto Trail Grappler M/T 4,74 (larges) (2)	1.9 Nitto Guida Grappler M/T 4,74 (largo) (2)

OPTIONAL PARTS // OPTIONALE TEILE // PIÈCES FACULTATIVES // PARTI OPZIONALI

Part #	Description	Beschreibung	Description	Descrizione
AXI230015	Jeep JL 4dr Wrnglr Body (Clr)	Jeep JL Allrad Wrangler-Karosserie (Farblos)	Carrosserie Wrangler 4 roues motrices Jeep JL (transparente)	Carrozzeria Jeep JL 4DR Wrangler Body (trasparente)
AXI230016	Jeep JL Interior (Clear)	Jeep JLU Innenraum (Farblos)	Intérieur Jeep JL (transparent)	Interno Jeep JL (trasparente)
AXI230025	Uni Body Post Set: SCX10 III	Universal-Gehäusestangensatz: SCX10 III	Ensemble poteau de carrosserie universel : SCX10 III	Set supporti scocca uni: SCX10 III
AXI231013	Servo Horn, Metal 25T: SCX10III	Servohorn, Metall 25T: SCX10III	Renvoi de commande de servo, métallique 25T : SCX10III	Squadretta servo, metallo 25T: SCX10III
AXI231018	Receiver Box: SCX10III	Empfängerbox: SCX10III	Boîtier de récepteur : SCX10III	Scatola ricevitore: SCX10III

ELECTRONICS // ELEKTRONIK // COMPOSANTS ÉLECTRONIQUES // ELETTRONICA

Part #	Description	Beschreibung	Description	Descrizione
AX31312	35T Electric Motor	35T Elektromotor	Moteur électrique 35T	Motore elettrico 35T
SPM2340	DX3 SMART 3CH Transmitter	DX3 SMART 3CH Sender	DX3 Smart 3CH Émetteur	DX3 Smart 3CH Trasmettitore
SPMS614	Metal Gear Servo	Metallgetriebeservo	Servo à engrenages métalliques	Servo, ingranaggio metallico
SPMXSE1040RX	40 Amp Brushed Smart 2-in-1 ESC and Receiver	40 Amp Empfänger/Geschwindigkeitsregler-Kombination	Combinaison récepteur/ESC 40 Amp	Combo Ricevitore/ESC 40 Amp
AXI230031	SCX10-III Jeep LED Light Set (White/Red)	SCX10-III Jeep LED-Leuchten (weiß, rot)	Ensemble de témoins DEL SCX10-III (blanc, rouge)	Set luci LED SCX10-III (bianco, rosso)

NOTES // ANMERKUNGEN // REMARQUES // NOTA



EXPLORE

facebook.com/axialinc | instagram.com/axialracing | twitter.com/axialrc
youtube.com/axialvideos | flickr.com/axialrc



©2020 Horizon Hobby, LLC.

Axial, the Axial logo, DSM, DX3, IC3 and the Horizon Hobby logo are trademarks or registered trademarks of Horizon Hobby, LLC.

The Spektrum trademark is used with permission of Bachmann Industries, Inc. The Jeep name and associated vehicle likenesses are trademarks or registered trademarks of FCA US LLC and are used under license. The CRC name and logo are trademarks or registered trademarks of Casey Currie Motorsports and are used under license. Nitto is a registered trademark of Nitto Tire U.S.A., Inc. and is used under license. The KMC Wheels name and logo are property of WheelPros, LLC and are used under license.

All other trademarks, service marks and logos are property of their respective owners.

Completed 1/20

AXI03003 T1/T2

57023