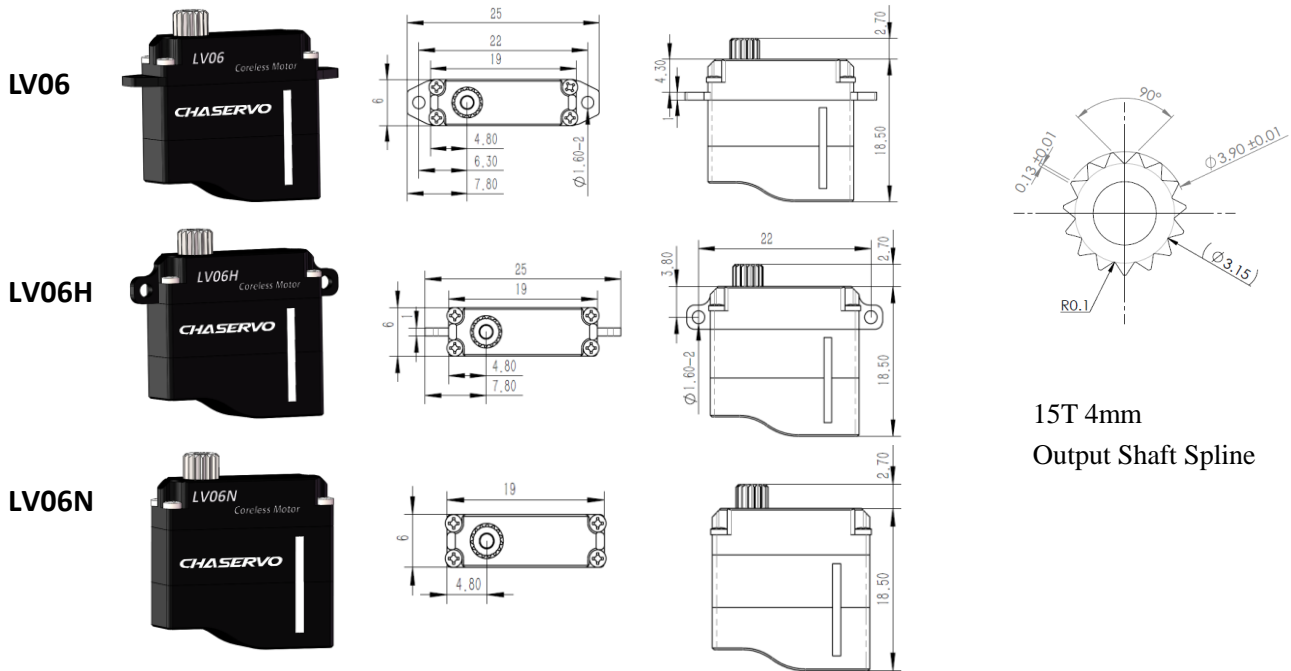


LV06/LV06H/LV06N Technical Specification

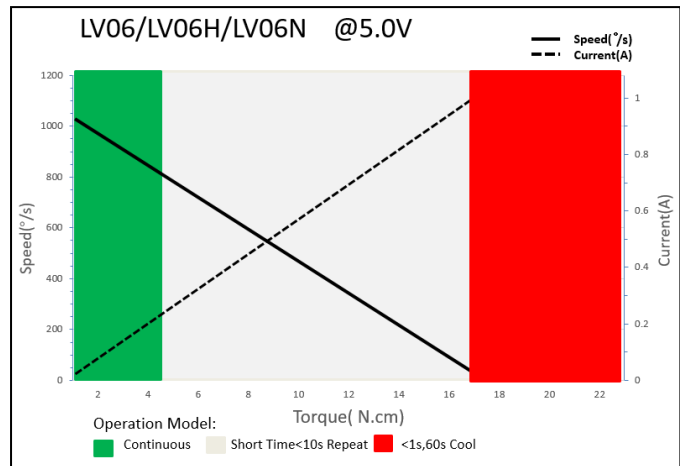


15T 4mm
Output Shaft Spline

1. Servo Data

Rated Voltage	DC4.2V
Voltage Range	DC3.3V-5.0V
Stalling Torque	9N.cm@3.3V
	13N.cm@4.2V
	17N.cm@5.0V
No-load Speed	0.077sec/60°@3.3V
	0.066sec/60°@4.2V
	0.055sec/60°@5.0V
Default Travel Angle	±60° = 120° Total travel
Working Frequency	1520us/20KHz
Operating	-10°C.....+65°C
Case Material	Aluminum Alloy
Motor Type	Coreless DC Motor
Gear Set Material	Hardened Steel
Position Sensor	Potentiometer
Programmable	YES
Ball Bearing	2BB
Case Dimensions	19mm*6mm*18.5mm±0.2mm
Weight	5.8g ±10%

2. Performance



3. Command Signal

3.1. PWM Command Interface

Signal Voltage	HIGH:min.3.3V,max.5.0V Low:min.0.0V,max.1.5V
Pulse Lengths	900us-2100us
Pulse Lengths for Position -50°/0°/+50°	1000us/1500us/2000us

4. Electrical Connection

	Pin Assignment			
	1	Orange	PWM	PWM Command Signal
	2	Red	DC+	Supply Voltage
	3	Brown	DC-	Supply Ground, Signal Ground