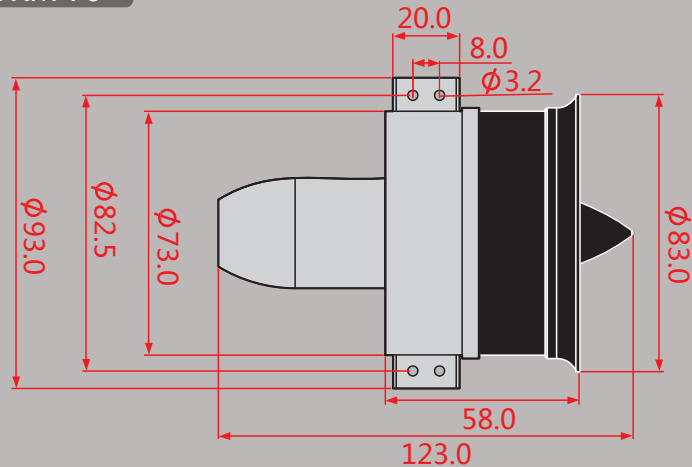


Dimensions

mSTORM 70



Specification

mSTORM Specifications	mSTORM 70
Item NO. (商品编码)	51410
Outer Diameter (直径)	83mm
Length (长度)	123mm
Weight /w wires (重量)	230g
Mounting pitch (安装间距)	82.5mm
FAN Diameter (风扇直径)	70mm
Number of blade (桨叶数)	12
CNC metal blade (全金属扇叶)	YES
Dynamic balanced (动平衡)	Y
Motor KV (马达KV值)	2480 RPM/V
Maximum RPM (最大转速)	40,000 RPM
Resistance(Ri) (电阻)	18.7 mOhm
Idle current(Io) @10V (空载电流)	2.7A
Nominal voltage (额定电压)	22.2V, 6S Lipo
Peak power[15s] (峰值功率)	2000W
Bursts current[15s] (最大电流)	85A
Recommended ESC (推荐调速器)	XC1006ULT, 100 amps
Recommended battery (推荐电池)	ULTRA 70C, 4S-6S, 3700mAh,
Maximum thrust on bench (最大推力)	12N @ 14.8V 24N @ 22.2V, 27N @ 24V
Applications (描述)	AUW 1-3.5kg EDF JET model