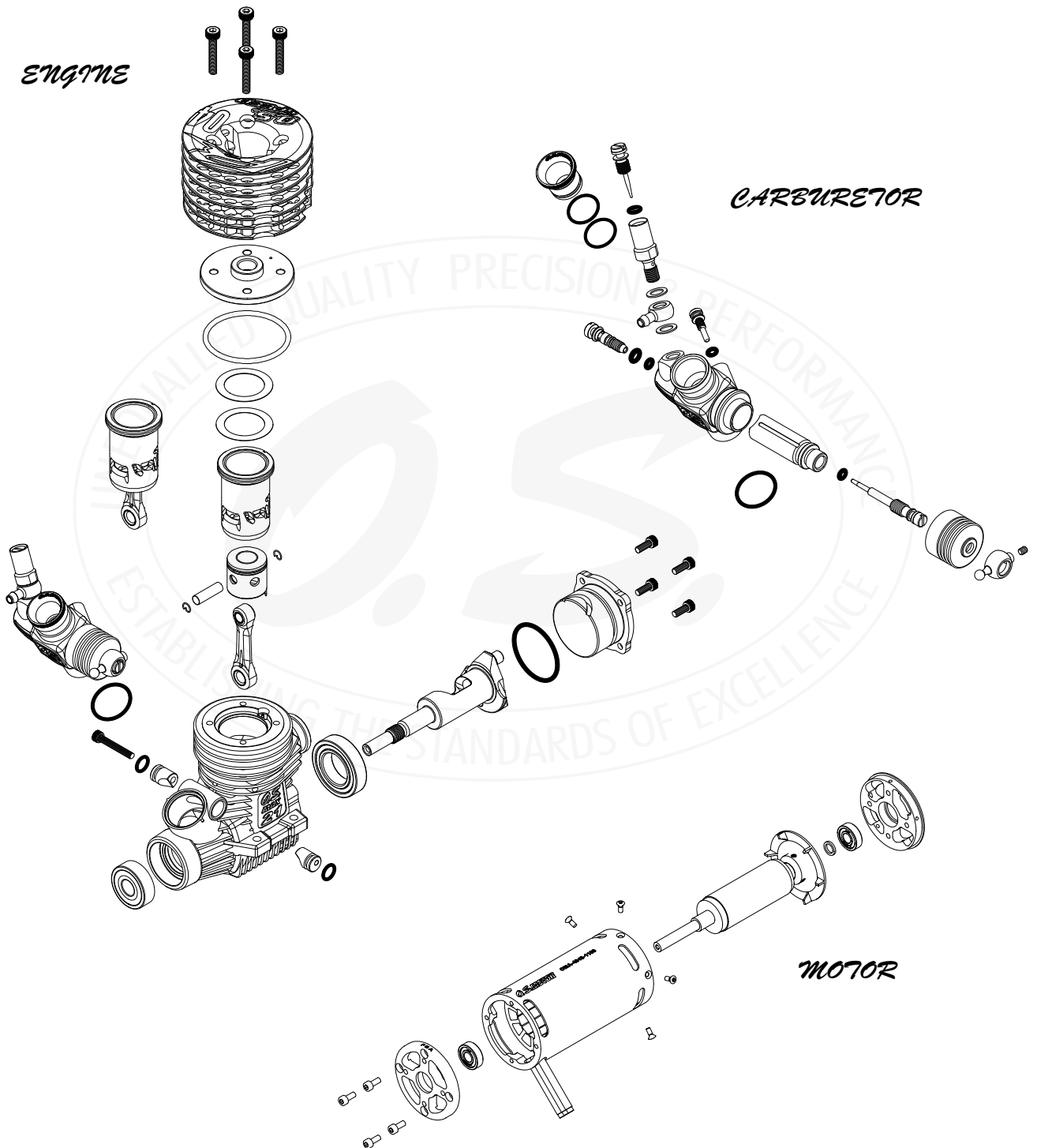
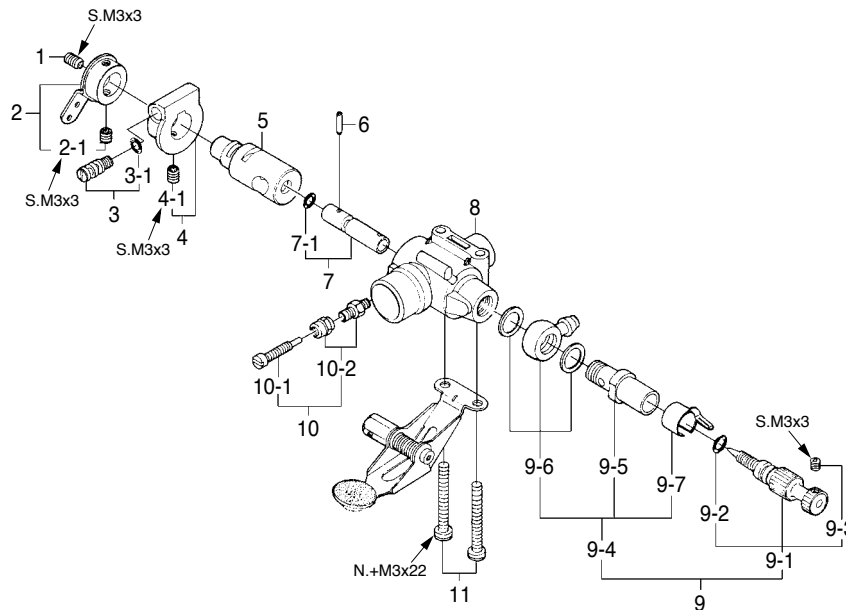


2019 EXPLODED VIEWS WITH CODE NUMBERS LIST



* Type of screw

C...Cap Screw B...Binding Screw M...Oval Fillister-Head Screw
F...Flat Head Screw T...Tapping Screw N...Round Head Screw S...Set Screw



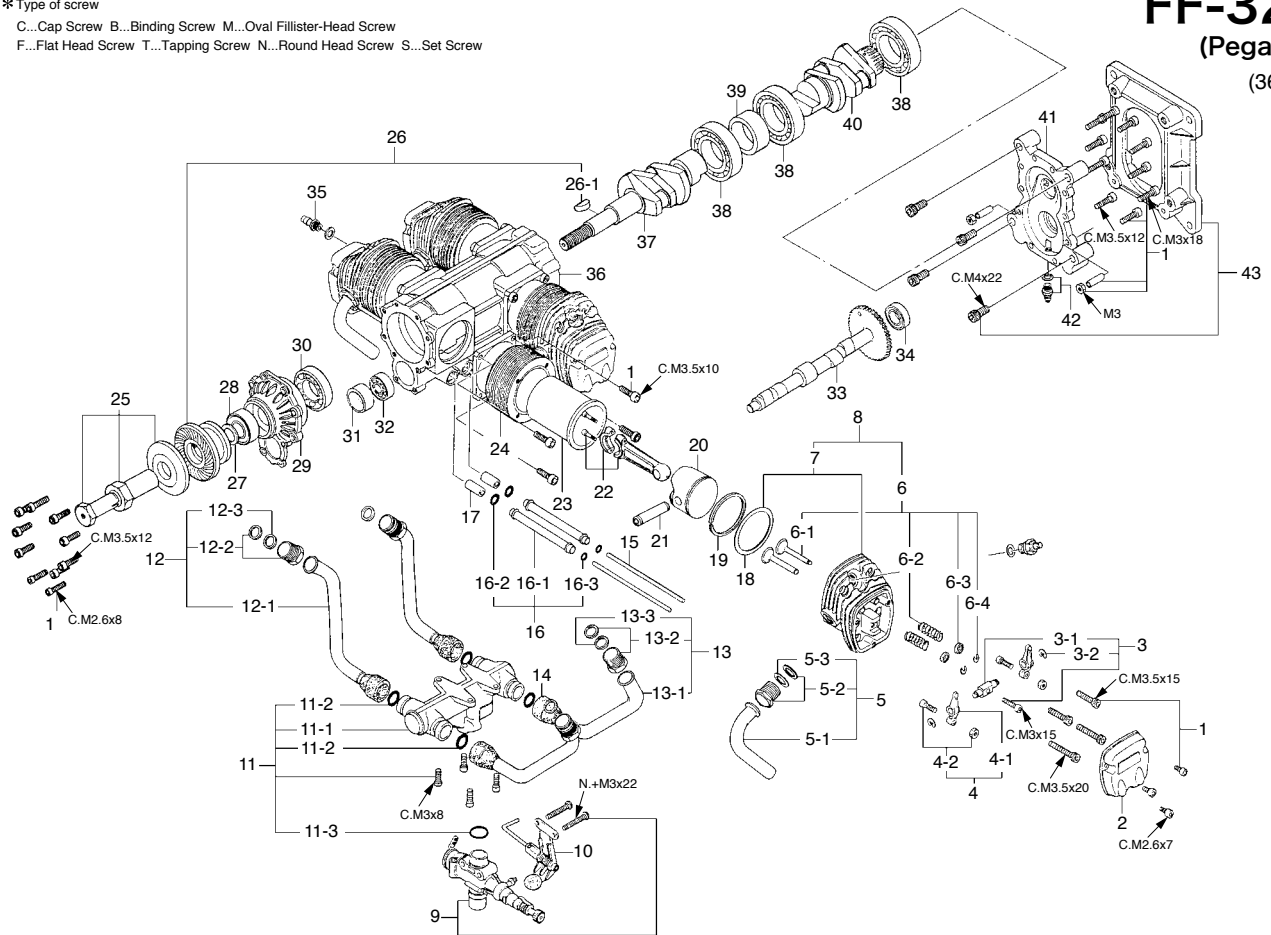
Note: The choke valve assembly is not included in the carburettor complete.

No.	Code No.	Description
1	26381501	Set-screw
2	24981405	Throttle Lever Assembly 4BK-4E,20J,FF
2-1	26381501	Set-screw
3	46481320	Mixture Control Screw Assembly FF,FR,FT160
3-1	22781800	"O" Ring (2pcs.) (S) 10D,10F,1H-3H,20E
4	46481330	Mixture Control Screw Holder Assembly FF,FR
4-1	26381501	Set-screw
5	46481200	Carburetor Rotor FF320,FT160
6	46281340	Mixture Control Valve Pin FT160-300,FR5
7	46481310	Mixture Control Valve Assembly FF,FR,FT160
7-1	22781800	"O" Ring (2pcs.) (S) 10D,10F,1H-3H,20E
8	46481100	Carburetor Body FF320,FT160
9	46281900	Needle Valve Assembly FT,FF,FR
9-1	29081952	Needle Assembly 6H,7H,8B,6P,FT,FF,FR
9-2	24981837	"O" Ring (2pcs.)
9-3	26381501	Set-screw
9-4	46181940	Needle Valve Holder Assembly FT,FF
9-5	46181941	Needle Valve Holder FT,FF,FR,91FX
9-6	46181950	Fuel Inlet 20M,FT,FF,FR,91FX
9-7	26711305	Ratchet Spring No.4
10	26781619	Throttle Stop Screw Assembly FT,FF,4D,46
10-1	26681305	Throttle Stop Screw 2D-7B
10-2	26681803	Throttle Stop Screw Holder 2D-7B
11	45581700	Carburetor Retaining Screw FS70S-120S

* Type of screw

C...Cap Screw B...Binding Screw M...Oval Fillister-Head Screw
F...Flat Head Screw T...Tapping Screw N...Round Head Screw S...Set Screw

FF-320 (Pegasus) (36410)



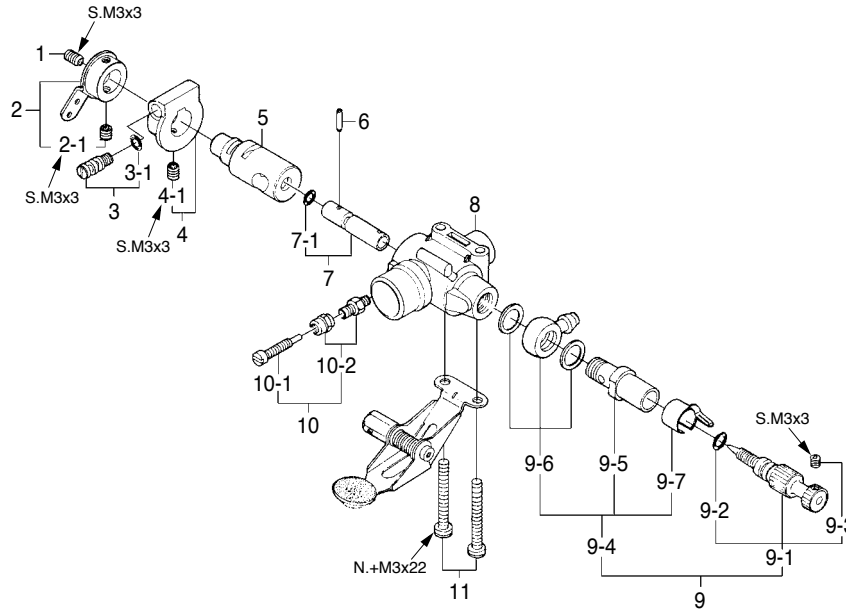
No.	Code No.	Description
1	46413001	Screw Set FF320
2	46404200	Rocker Cover FF320
3	45961400	Rocker Support Assembly FS α -81,FS70-91S
3-1	45961410	Rocker Support FS α -81,FS70,91S
3-2	45761600	Rocker Arm Retainer (2pcs.) FS26-120S,70U
4	45361000	Rocker Arm Assembly (1pair) FS70S,91S2,FR
4-1	45361100	Rocker Arm (1pc.) FS70S,91S2,FF,FR
4-2	45061202	Tappet Adjusting Screw FS,FT,FF,FR,IL
5	46469000	Exhaust Pipe Assembly (1pair) FF320
5-1	46169100	Exhaust Pipe FT160
5-2	45169200	Exhaust Pipe Lock Nut FT120-2,160
5-3	46468300	Exhaust Pipe Washer (1pc.) FF320
6	46160000	Valve Assembly (1pair) FS90,FT160,FF,IL
6-1	46160100	Valve (1pc.) FS90,FT160,FF,IL
6-2	45460200	Valve Spring (1pc.) FT160,IL300
6-3	45060309	Spring Seat (1pc.) FS,FT,FR,IL
6-4	46160400	Valve Spring Retainer (2pcs.) FS,FT,FR,IL
7	46404120	Cylinder Head FF320
8	46404030	Cylinder Head (W/Valve Assembly) FF320
9	46481000	Carburetor Complete FF320,FT160
10	46184000	Choke Valve Assembly FT,FF
11	46468000	Intake Manifold Assembly FF320
11-1	46468010	Intake Manifold FF320
11-2	45115000	Intake Pipe "O" Ring (2pcs.) (P-8) FS52S,FR
11-3	46115000	Carburetor Gasket (S-11.2)
12	46468100	Intake Pipe Assembly (right) (1pair) FF320
12-1	46168110	Intake Pipe (right) FT160
12-2	45169200	Intake Pipe Lock Nut FT120-2,160
12-3	46468300	Intake Pipe Washer (1pc.) FF320
13	46468200	Intake Pipe Assembly (left) (1pair) FF320
13-1	46168210	Intake Pipe (left) FT160
13-2	45169200	Intake Pipe Lock Nut FT120-2,160
13-3	46468300	Intake Pipe Washer (1pc.) FF320
14	46168500	Intake Boots (2pcs.) FT160
15	45566000	Push Rod (2pcs.) FS120S2,SE,IL300
16	45566100	Push Rod Cover Assembly (2pcs.) FT160,120-2
16-1	45566110	Push Rod Cover (1pc.) FT160,120-2

No.	Code No.	Description
16-2	45566300	Push Rod Cover "O" Ring (L) (2pcs.) (P-4)
16-3	24881824	Push Rod Cover "O" Ring (S) (2pcs.) (7B)
17	45564000	Cam Follower (2pcs.) FS70S-120S,FT,FF
18	46414010	Head Gasket Set FF320
19	45403400	Piston Ring FS91S,FT160
20	45903200	Piston FS α -81,FS91S2,91S,FT160
21	45906000	Piston Pin FS α -81,FS91S,FT160
22	46105000	Connecting Rod Assembly FT160,FT120-2
23	46103100	Cylinder Liner FS91S2,91S,FT160
24	46103300	Cylinder Jacket FT160
25	46410100	Lock Nut Set (5/16-24) FF320
26	46408000	Drive Hub FF320
26-1	45508200	Woodruff Key FS120S3,SE,SP
27	46120000	Thrust Washer 91FX,SXH,SZ,FT160,FF
28	26731002	Crankshaft Bearing No.1 40-61,70S,91S
29	46401610	Front Housing FF320
30	22130004	Crankshaft Bearing No.2 FT120-2,160,FF
31	46431100	Camshaft Bearing Spacer FF320
32	46031005	Camshaft Bearing (front) FT,FF,IL
33	46462000	Camshaft FF320
34	22631019	Camshaft Bearing (rear) CZ,FT,FF,IL
35	22681015	Breather Nipple (No.1)
36	46401000	Crankcase FF320
37	46402100	Crankshaft No.1 FF320
38	46030008	Crankshaft Bearing No.3 120AX,FT160,FF
39	46402300	Coupling Collar FF320
40	46402200	Crankshaft No.2 FF320
41	46401810	Rear Housing FF320
42	24025923	Drain Nipple (No.2) 5.0mm
43	71910000	Radial Motor Mount Set FT120-2,160
	71615009	Glow Plug Type F
	72200170	Plug Cable Set
	72200171	Plug Cable
	72200190	Plug Terminal
	72200180	Earth Cable \varnothing 5
	72200060	Valve Adjusting Kit FS,FT,FR
	46471000	Drain Plug FF,FR

The specifications are subject to alteration for improvement without notice.

* Type of screw

C...Cap Screw B...Binding Screw M...Oval Fillister-Head Screw
F...Flat Head Screw T...Tapping Screw N...Round Head Screw S...Set Screw



Note: The choke valve assembly is not included in the carburettor complete.

No.	Code No.	Description
1	26381501	Set-screw
2	24981405	Throttle Lever Assembly 4BK-4E,20J,FF
2-1	26381501	Set-screw
3	46481320	Mixture Control Screw Assembly FF,FR,FT160
3-1	22781800	"O" Ring (2pcs.) (S) 10D,10F,1H-3H,20E
4	46481330	Mixture Control Screw Holder Assembly FF,FR
4-1	26381501	Set-screw
5	46481200	Carburetor Rotor FF320,FT160
6	46281340	Mixture Control Valve Pin FT160-300,FR5
7	46481310	Mixture Control Valve Assembly FF,FR,FT160
7-1	22781800	"O" Ring (2pcs.) (S) 10D,10F,1H-3H,20E
8	46481100	Carburetor Body FF320,FT160
9	46281900	Needle Valve Assembly FT,FF,FR
9-1	29081952	Needle Assembly 6H,7H,8B,6P,FT,FF,FR
9-2	24981837	"O" Ring (2pcs.)
9-3	26381501	Set-screw
9-4	46181940	Needle Valve Holder Assembly FT,FF
9-5	46181941	Needle Valve Holder FT,FF,FR,91FX
9-6	46181950	Fuel Inlet 20M,FT,FF,FR,91FX
9-7	26711305	Ratchet Spring No.4
10	26781619	Throttle Stop Screw Assembly FT,FF,4D,46
10-1	26681305	Throttle Stop Screw 2D-7B
10-2	26681803	Throttle Stop Screw Holder 2D-7B
11	45581700	Carburetor Retaining Screw FS70S-120S