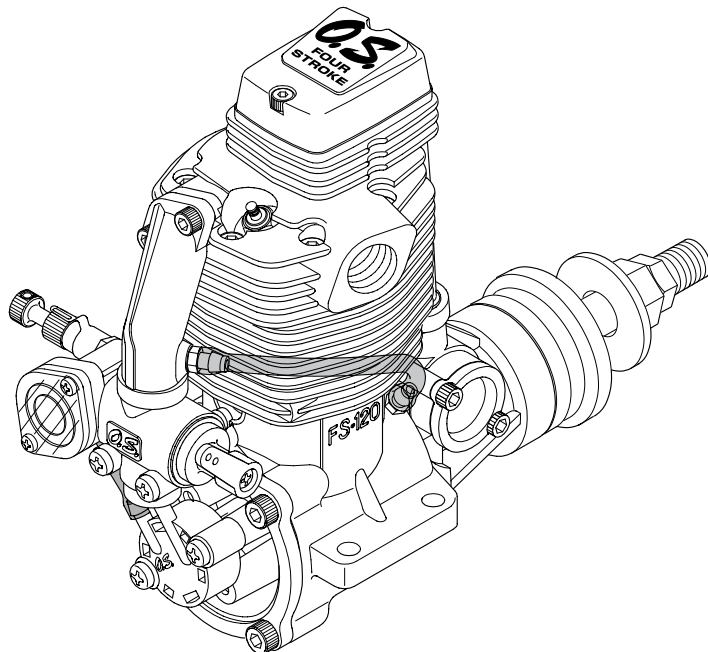


FOUR CYCLE ENGINE OWNER'S INSTRUCTION MANUAL

It is of vital importance, before attempting to operate your engine, to read the general 'SAFETY INSTRUCTIONS AND WARNINGS' section on pages 2-4 of this booklet and to strictly adhere to the advice contained therein.

- Also, please study the entire contents of this instruction manual, so as to familiarize yourself with the controls and other features of the engine.
- Keep these instructions in a safe place so that you may readily refer to them whenever necessary.
- It is suggested that any instructions supplied with the aircraft, radio control equipment, etc., are accessible for checking at the same time.



CONTENTS

SAFETY INSTRUCTIONS AND WARNINGS ABOUT YOUR O.S. ENGINE	2-4	STARTING	13
INTRODUCTION, INSTALLING THE GLOWPLUG ---	5	RUNNING-IN	13-14
RELOCATION OF CARBURETTOR CONTROLS	6	IDLE MIXTURE ADJUSTMENT	15
FUEL TANK, INSTALLATION	7	VALVE ADJUSTING	15-17
EXHAUST HEADER PIPE AND SILENCER, THROTTLE LINKAGE, NEEDLE-VALVE EXTENSION	8	CARE AND MAINTENANCE	17-18
FUEL LINES	9	O.S. GENUINE PARTS & ACCESSORIES	19
CARE OF FUEL PUMP AND REGULATOR, PROPELLERS	9-10	ENGINE EXPLODED VIEWS & ENGINE PARTS LISTS	20-21
GLOWPLUGS, FUEL	11-12	CARBURETTOR EXPLODED VIEWS & PARTS LIST	22
PROPELLER AND SPINNER ATTACHMENT, TYPE 70N CARBURETTOR	12	ENGINE THREE VIEW DRAWINGS	23

SAFETY INSTRUCTIONS AND WARNINGS ABOUT YOUR O.S. ENGINE

Remember that your engine is not a "toy", but a highly efficient internal-combustion machine whose power is capable of harming you, or others, if it is misused or abused. As owner, you, alone, are responsible for the safe operation of your engine, so act with discretion and care at all times.

If at some future date, your O.S. engine is acquired by another person, we would respectfully request that these instructions are also passed on to its new owner.

■ The advice which follows is grouped under two headings according to the degree of damage or danger which might arise through misuse or neglect.



WARNINGS

These cover events which might involve serious (in extreme circumstances, even fatal) injury.



NOTES

These cover the many other possibilities, generally less obvious sources of danger, but which, under certain circumstances, may also cause damage or injury.



WARNINGS

• Never touch, or allow any object to come into contact with, the rotating propeller and do not crouch over the engine when it is running.



• A weakened or loose propeller may disintegrate or be thrown off and, since propeller tip speeds with powerful engines may exceed 600 feet (180 metres) per second, it will be understood that such a failure could result in serious injury, (see 'NOTES' section relating to propeller safety).

• Model engine fuel is poisonous. Do not allow it to come into contact with the eyes or mouth. Always store it in a clearly marked container and out of the reach of children.



• Model engine fuel is also highly flammable. Keep it away from an open flame, excessive heat, sources of sparks, or anything else which might ignite it. Do not smoke or allow anyone else to smoke, near to it.



• Never operate your engine in an enclosed space. Model engines, like automobile engines, exhaust deadly carbon-monoxide. Run your engine only in an open area.

• Model engines generate considerable heat. Do not touch any part of your engine until it has cooled. Contact with the muffler (silencer), cylinder head or exhaust header pipe, in particular, may result in a serious burn.



2



NOTES

- This engine was designed for model aircraft. Do not attempt to use it for any other purpose.
- Mount the engine in your model securely, following the manufacturers' recommendations, using appropriate screws and locknuts.
- Be sure to use the silencer (muffler) supplied with the engine. Frequent exposure to an open exhaust may eventually impair your hearing. Such noise is also likely to cause annoyance to others over a wide area.
- Install a top-quality propeller of the diameter and pitch specified for the engine and aircraft. Locate the propeller on the shaft so that the curved face of the blades faces forward-i.e. in the direction of flight. Firmly tighten the propeller nut, using the correct size wrench.
- Always check the tightness of the propeller nut and retighten it, if necessary, before restarting the engine, particularly in the case of four-stroke-cycle engines. If a safety locknut assembly is provided with your engine, always use it. This will prevent the propeller from flying off in the event of a "backfire", even if it loosens. Also, check the tightness of all the screws and nuts before restarting the engine.
- If you install a spinner, make sure that it is a precision made product and that the slots for the propeller blades do not cut into the blade roots and weaken them.
- Discard any propeller which has become split, cracked, nicked or otherwise rendered unsafe. Never attempt to repair such a propeller: destroy it. Do not modify a propeller in any way, unless you are highly experienced in tuning propellers for specialized competition work such as pylon-racing.
- Use an electric starter for this engine. The wearing of safety glasses is also strongly recommended.

3

! NOTES

- Take care that the glow plug clip or battery leads do not come into contact with the propeller. Also check the linkage to the throttle arm. A disconnected linkage could also foul the propeller.
- After starting the engine, carry out any needle-valve readjustments from a safe position behind the rotating propeller. Stop the engine before attempting to make other adjustments to the carburettor.
- Adjust the throttle linkage so that the engine stops when the throttle stick and trim lever on the transmitter are fully retarded. Alternatively, the engine may be stopped by cutting off the fuel supply. Never try to stop the engine physically.
- Take care that loose clothing (ties, shirt sleeves, scarves, etc.) do not come into contact with the propeller. Do not carry loose objects (such as pencils, screwdrivers, etc.) in a shirt pocket from where they could fall through the propeller arc.
- Do not start your engine in an area containing loose gravel or sand. The propeller may throw such material in your face and eyes and cause injury.
- For their safety, keep all onlookers (especially small children) well back (at least 20 feet or 6 meters) when preparing your model for flight. If you have to carry the model to the take-off point with the engine running, be especially cautious. Keep the propeller pointed away from you and walk well clear of spectators.
- **Warning!** Immediately after a glowplug-ignition engine has been run and is still warm, conditions sometimes exist whereby it is just possible for the engine to abruptly restart if the propeller is casually flipped over compression **WITHOUT** the glowplug battery being reconnected. Remember this if you wish to avoid the risk of a painfully rapped knuckle!

4

INTRODUCTION

The FS-120SIII is the latest mid-range model in the well-established FS-120S series of 20cc four-stroke engines. This series extends from the standard suction-feed FS-120S-E to the unique ultra-high performance FS-120S-SP, the world's only production model engine to be equipped with a genuine crankshaft-driven supercharger.

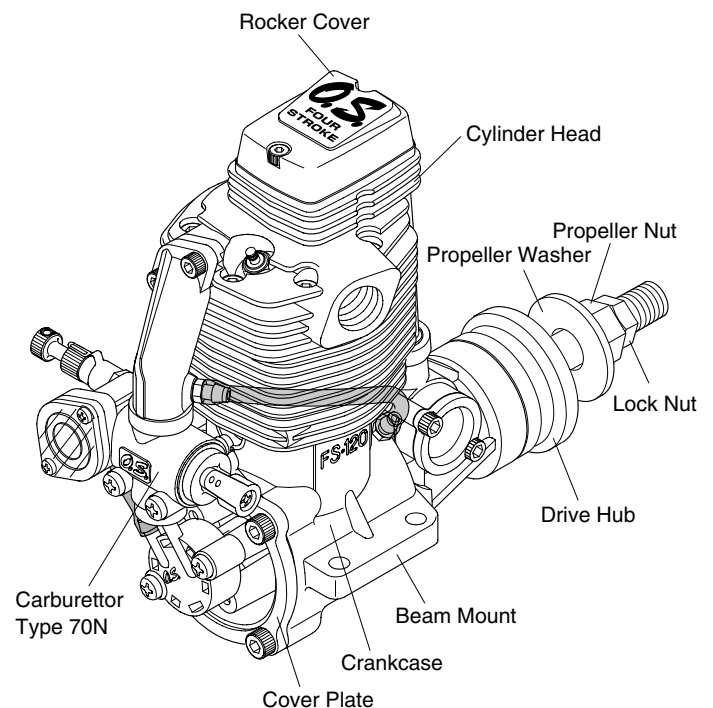
The FS-120SIII is fitted with the new O.S. PD-07 diaphragm type fuel pump and matching Type 70N carburettor incorporating a built-in pressure regulator. These features ensure that fuel/air mixture strength is maintained at a constant level through maneuvers, for consistent performance and reliable throttle response.

In the interests of improved durability, certain ferrous parts that are particularly susceptible to corrosion in four-stroke engines, have a corrosion resistant plating and, for the same reason, a special grease-packed twin-sealed rear ball-bearing is used.

To maintain the four-stroke engine's reduced noise levels, the FS-120III is supplied with an O.S. Type F-5020 baffled silencer (muffler) of substantially enlarged volume, as standard equipment.

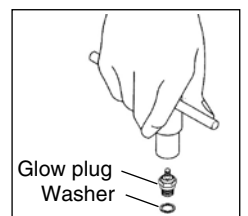
Where installation calls for a separate exhaust pipe and silencer, these parts are available as optional extras. (See page 19 of this booklet.)

Please note that this engine is not supplied with any tools (e.g. Allen keys, wrenches, etc.)



INSTALLING THE GLOW PLUG

Carefully insert plug, with washer, fingertight only, before final tightening with the correct size plug wrench.



EXHAUST HEADER PIPE & SILENCER

Install these in the following sequence.

Screw the header pipe into the cylinder head until it "bottoms", then unscrew sufficiently to achieve the desired exhaust angle and tighten the locknut securely with a 14mm wrench. Screw the silencer onto the outer end of the header pipe and tighten the other locknut.

The application of a heatproof silicone sealant to the threads of the exhaust system is recommended to reduce the risk of joints loosening and the leakage of exhaust gases and oil residue.

Reminder:

Model engines generate considerable heat and contact with the header pipe or silencer may result in a serious burn.

If you need to tighten the silencer joints, which may loosen when they are hot, use a thick folded cloth for protection.

THROTTLE LINKAGE

Before connecting the throttle to its servo, make sure that the throttle arm and linkage safely clear any adjacent part of the airframe structure, etc., as the throttle is opened and closed.

Connect the linkage so that the throttle is fully closed when the transmitter throttle stick and its trim lever are at their lowest settings and fully open when the throttle stick is in its fully-open position..

Carefully align the appropriate holes in the throttle arm and servo horn so that they move symmetrically and smoothly through their full travel.

8

FUEL LINE

The function of the various tubing connected to the engine and tank (see sketch) are as follows:

Line A: To draw fuel from tank to pump nipple marked 'IN'.

Line B: To deliver fuel from pump nipple marked 'OUT' to carburettor.

Line C: To connect crankcase breather nipple (behind camshaft housing) to intake pipe.

Line D: To deliver crankcase pressure pulses to pump diaphragm.

Important

Lines B, C and D are already installed when the engine is shipped from the factory. If any of these lines should need to be replaced, due to damage or installation problems, be sure to use tubing of the same dimensions and quality as the originals.

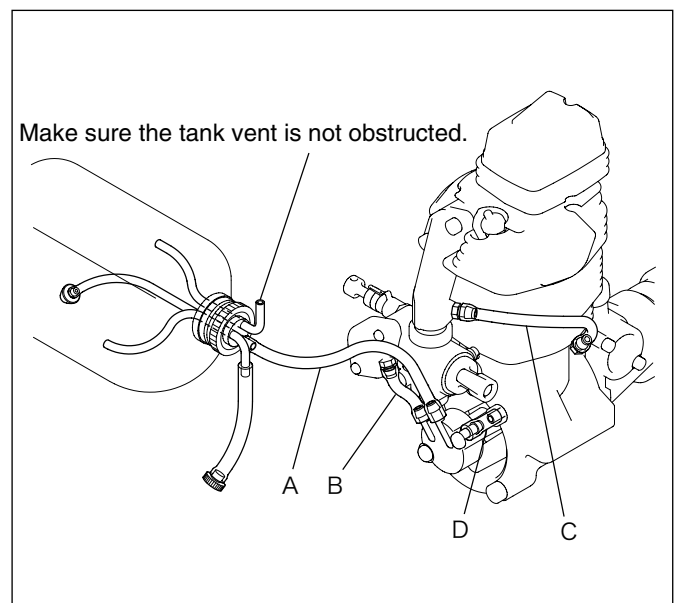
For Line A (tank to pump) use similar heavy-duty silicone-rubber tubing of approximately 2.5mm bore and 5.0mm outside diameter.

Note: Since the FS-120SIII has a positively pumped fuel supply, it does NOT require muffler pressurization.

NEEDLE-VALVE EXTENSION

The needle-valve supplied with this engine is designed to accept an extension so that, when the engine is enclosed in a cowling, the needle-valve may be adjusted from the outside.

An L-shaped rod, of appropriate length, may be inserted in the needle-valve knob center hole and secured by tightening the set-screw with a 1.5mm Allen key.



CARE OF FUEL PUMP & REGULATOR

A short preliminary period of part-throttle running is required to ensure that the pump system functions correctly during the running-in process. Set the throttle 75% open from the fully-closed position and run the engine for 2-3 minutes. This will ensure that the engine becomes rich enough when the needle-valve is opened at full throttle during running-in.

9

- NEVER disassemble the fuel pump or pressure regulator. Their original performance may not be restored after reassembly.
- DO NOT obstruct the small rectangular hole in the side of the regulator cover.
- DO NOT allow foreign matter to enter the fuel system. Dirt inside the pump or regulator, no matter how small, may obstruct the flow of fuel and prevent these components from working properly.
- NEVER insert anything into the inlet or outlet nipples in an attempt to clear a suspected obstruction. (See CARE & MAINTENANCE section at the back of this booklet.)
- ALWAYS use fuel filters. Keep the fuel tank scrupulously clean and filter all fuel as it enters the tank (e.g. via an O.S. 'Super-Filter' Code No.72403050) and use a good quality in-line filter between the tank and pump. Remember to inspect filter screens at regular intervals and rinse clean as necessary.
- NEVER use gasoline, kerosene, diesel fuel or other petroleum products for cleaning the pump, regulator or fuel lines. Silicone-rubber parts will be ruined by these materials. Use only alcohol (methanol) or glow fuel for cleansing these items.

PROPELLERS

The choice of propeller depends on the design and weight of the aircraft and on the type of flying in which you will be engaged. Determine the best size and type after practical experimentation.

As a starting point, refer to the props listed in the accompanying table.

Slightly larger, or even slightly smaller, props than those shown in the table may be used, but remember that propeller noise will increase if blade tip velocity is raised, due to higher rpm or if a larger-diameter / lower-pitch prop is used.

Warning:

Make sure that the propeller is well balanced. An unbalanced propeller and / or spinner can cause serious vibration which may weaken parts of the airframe or affect the safety of the radio-control system.

DO NOT forget the WARNINGS and NOTES on propeller and spinner safety given on pages 2,3 and 4.

Type	Size (DxP)
Stunt planes	13x11-13, 14x10-11
Scale models	15x8, 16x6-8, 18x5-6 14x7(3-blade), 15x8(3-blade)

10

GLOWPLUGS

The FS-120SIII is supplied with an O.S. Type F glowplug, specially designed for O.S. four-stroke engines.

The role of the glowplug

With a glowplug engine, ignition is initiated by the application of a 1.5-volt power source. When the battery is disconnected, the heat retained within the combustion chamber remains sufficient to keep the plug filament glowing, thereby continuing to keep the engine running. Ignition timing is 'automatic' : under reduced load, allowing higher rpm, the plug becomes hotter and, appropriately, fires the fuel/air charge earlier; conversely, at reduced rpm, the plug becomes cooler and ignition is retarded.

Glowplug life

Particularly in the case of very high performance engines, glowplugs must be regarded as expendable items.

However, plug life can be extended and engine performance maintained by careful use, i.e.:

- Install a plug suitable for the engine.
- Use fuel containing a moderate percentage of nitromethane unless more is essential for racing events.
- Do not run the engine too lean and do not leave the battery connected while adjusting the needle.

When to replace the glowplug

Apart from when actually burned out, a plug may need to be replaced because it no longer delivers its best performance, such as when:

- Filament surface has roughened and turned white.
- Filament coil has become distorted.
- Foreign matter has adhered to filament or plug body has corroded.
- Engine tends to cut out when idling.
- Starting qualities deteriorate.

FUEL

The FS-120SIII should be operated on a methanol based fuel containing not less than 18% castor-oil, or a top quality synthetic lubricant (or a mixture of both), plus a small percentage (5-15%) of nitromethane for improved flexibility and power. The carburettor is adjusted at the factory for a fuel containing 20% lubricant and 10% nitromethane.

Some commercial fuels also contain coloring additives as an aid to fuel level visibility. In some cases, these additives have indicated slightly negative effects on performance. We would suggest that you use such fuels only if you are satisfied that they do not adversely affect running qualities when compared with familiar standard fuels.

When changing to a fuel brand or formula that is different from the one to which you are accustomed, it is a wise precaution to temporarily revert to in-flight running-in procedures, until you are sure that the engine is running entirely satisfactorily.

Reminders:

All model engine fuel is poisonous. Do not allow it to come into contact with the eyes or mouth. Always store it in a clearly marked container and out of the reach of children.

Though not as volatile as gasoline, model engine fuel is also highly inflammable.

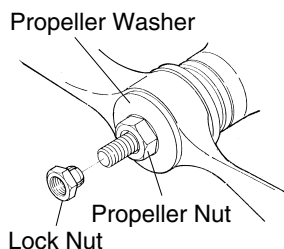
Keep it away from an open flame, excessive heat, sources of sparks, or anything else that might ignite it. Smoking is firmly discouraged.

PROPELLER & SPINNER ATTACHMENT

There is a risk, particularly with powerful four-stroke engines, of the propeller flying off if the prop nut loosens due to detonation ("knocking") in the combustion chamber when the engine is operated too lean, or under an excessively heavy load.

Obviously, this can be very hazardous. To eliminate such dangers, the O.S. Safety Locknut Assembly was devised. Install this as follows:

1. Ream the propeller shaft hole to 8.0mm bore with an appropriate reamer, checking that the hole is exactly centered.
2. Install the prop to the engine shaft, followed by the retaining washer and prop nut and tighten firmly with a 14mm wrench.



3. Add the special tapered and slotted locknut and secure with a 14mm wrench while holding the prop nut with the 17mm wrench.

Since the FS-120SIII is intended to be started with an electric starter, the addition of a spinner assembly for centering the starter sleeve is desirable. Special propeller locknut sets are available for use with spinners.

TYPE 70N CARBURETTOR

Two adjustable controls are provided on these carburetors.

They are as follows:

• The Needle Valve

This is used to establish the fuel/air mixture strength required for full power when the throttle is fully open.

• The Mixture Control Screw

This is used to establish the mixture strength required for steady idling and a smooth transition to medium speeds. (The varying mixture strength required between part-throttle and full-throttle running is automatically adjusted by coupled movement of the throttle.)

Alternative Needle Valve

If it should be found (e.g. after a change of fuel or in operating conditions) that the needle-valve appears to be unduly sensitive, it may be preferable to replace the standard needle with the less sharply tapered optional needle (Code No. 45581970) supplied as an accessory with this engine.

The sequence in which these controls are adjusted is explained in the succeeding sections, under Starting, Running-in and Idling Adjustment.

12

STARTING

The FS-120SIII is not equipped with manual choke controls, as they are intended for use with an electric starter only.

A high-torque electric starter not only makes starting the engine much easier, it dispenses with the need for a choke valve by turning the engine over fast enough to cause the fuel pump to prime the cylinder automatically.

Starting procedure is as follows:

1. Check that the current to the glowplug is switched off.
2. Check that the polarity of the starter battery leads rotates the engine counter-clockwise when viewed from the front.
3. Open the needle-valve 3-3.5 turns from the fully closed position and temporarily set the throttle in the fully open position.
4. Apply the starter and press the starter switch for 5-6 seconds, or until fuel is seen to emerge from the exhaust outlet, indicating that the cylinder is now primed.
5. Close the throttle-arm to within 15-20° of the fully closed position and slowly turn the prop "backwards" (clockwise) by hand approximately 1.5 turns until it is arrested by compression. This is to enable the kinetic energy of the prop to subsequently assist the starter through the compression stroke to start the engine.
6. Energize the glowplug and apply the starter. If the starter fails to rotate the engine completely, this may be due to the cylinder being over-primed, or to the starter battery being insufficiently charged.

7. Check these conditions and, instead of pressing the starter button after applying the starter, have the starter spinning before applying it to the engine, to give it a "running start". When the engine starts, slowly open the throttle, leaving the needle-valve at its rich starting setting to promote cool running conditions.

However, if the engine slows down because the mixture is excessively rich, the needle-valve may be closed a little to speed it up until it runs evenly.

8. Now disconnect current to the glowplug and gradually close the needle-valve so that revolutions are increased. Make adjustments to the needle in small steps. Abrupt changes at this stage are likely to cause the engine to stall. Restart the engine by simply applying the starter with the glowplug re-energized and the throttle at its starting setting.

RUNNING-IN ("Breaking-in")

For long life and peak performance, every engine needs special treatment when new, known as "running-in" or "breaking-in". This is a process during which the engine is operated under strictly controlled conditions at the beginning of its life, in order to avoid the risk of immediate damage to certain components through becoming overheated or stressed and to help working surfaces to become smoothed and aligned for maximum mechanical efficiency thereafter.

With some engines, this can require a tediously protracted period of bench running, but, as O.S. engines are manufactured to fine tolerances and from the finest quality materials, a relatively brief running-in period is sufficient and can be completed with the engine installed in the aircraft.

The recommended procedure is as follows :

13

1. Start and adjust the engine as detailed in the starting instructions.
2. Now open the throttle fully and run the engine for no more than 5 seconds with the needle-valve tuned to produce near maximum r.p.m., then, immediately, slow the engine down again by opening the needle-valve approximately one turn. The rich mixture, so induced, will cool the engine, at the same time providing increased lubrication.
3. Allow the engine to run like this for about 10 seconds, then close the needle-valve again to speed it up to near maximum rpm for another 5 seconds.
4. Repeat this process, alternately running the engine fast and slow by means of the needle-valve, while keeping the throttle fully open, then begin to extend the short periods of high-speed operation until two full tanks of fuel have been consumed.

WARNING:

When ground running the engine, avoid dusty or sandy locations. If dust or grit is drawn into the engine, this can have a ruinous effect, drastically shortening engine life in a matter of minutes.

5. Following the initial running-in session, check for any looseness in the installation due to vibration, then allow the engine a period of moderately rich operation in flight.
6. For the first flight, have the needle-valve set on the rich side and adjust the throttle trim on the transmitter so that the engine does not stop when the throttle is closed to the idle setting.

7. With each successive flight, close the needle-valve very slightly until, at the end of about 10 flights, the needle is set for full power. Do not "over-lean" the mixture in an attempt to extract more power.

RUNNING-IN (continued)

8. If overheating should be suspected at any time during flight (i.e. if the engine begins to "labor") reduce power by partially closing the throttle and land the aircraft to enable the needle-valve to be readjusted to a richer setting.

Note:

Remember that, when the engine is not yet fully run-in, the carburettor cannot be expected to give its best response in flight. Abrupt operation of the throttle, for example, may cause the engine to stall. Therefore, at this time, the aircraft should, as far as is possible, be flown at an altitude sufficient to enable an emergency landing to be safely made if the engine stops.

9. Once the engine has demonstrated that it can be safely operated at full power, the carburettor can be adjusted for optimum throttle response, following the instructions given in the next section.

14

IDLE MIXTURE ADJUSTMENT

1. Start the engine, open the throttle fully and set the needle-valve slightly rich (30-45°) from the highest r.p.m. setting.
2. Close the throttle to the idle position. Allow the engine to idle for about 5 seconds, then reopen the throttle. The engine should accelerate smoothly back to full speed.
3. If, instead, the engine responds sluggishly and emits an excess of white smoke from the exhaust, the idle mixture is too rich. Turn the mixture control screw approx. 45° clockwise to lean the idling mixture.
4. On the other hand, if the engine hesitates before picking up speed or even ceases firing completely, the idle mixture is likely to be too lean. Turn the mixture control valve 90° counter-clockwise to substantially enrich the mixture, then back again 45° clockwise.
5. In paragraphs 3 and 4 above, the 45° total movements are, of course, approximate. It will be necessary to fine-tune the mixture control screw 10-15° at a time to reach the best setting for optimum throttle response.
6. Continue re-checking the idle mixture setting until the engine responds smoothly and positively to operation of the throttle at all times.

Resetting of Mixture Control Screw

In the course of making readjustments, it is just possible that the mixture control screw may be inadvertently screwed in or out too far and thereby moved beyond its effective range.

The factory setting can be re-established as follows:

Set the throttle at the fully closed position.

Now carefully rotate the mixture control screw clockwise until it stops. Finally, turn the mixture control screw back exactly 2.5 turn.

VALVE ADJUSTING

Valve clearances are correctly set before any O.S. engine leaves the factory and, in normal use, will seldom require adjustment. However, if, after a very considerable amount of running time has been amassed, a loss of power is detected, or if the engine has been disassembled for repair, these clearances should be checked and reset as necessary. For this purpose, a valve adjusting kit comprising two feeler gauges, a 5mm ring spanner (box wrench) and a 1.5mm Allen key, is supplied with the engine.

The kit comes in a plastic case and includes:
(Code No.72200060)

- Feeler gauge 0.04mm
- Feeler gauge 0.1mm
- Hex. key 1.5mm
- Wrench 5mm

15

Note:

Valve clearances of all O.S. four-stroke-cycle engines must be checked and reset ONLY WHEN THE ENGINE IS COLD. Procedure is as follows.

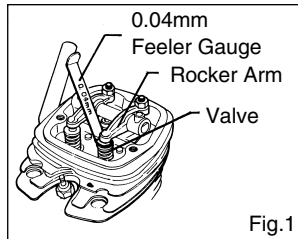
(I)

1. Remove the cover from the rocker-box on top of the cylinder-head, using the correct size Allen hex key.
2. Turn the propeller counter-clockwise until compression is first felt, then turn it a further quarter revolution. At this point, both valves should be closed. (If the prop driver ('drive hub') of your engine is engraved with a letter 'T', this mark should now be at the top.)
3. The standard valve clearance, on both inlet and exhaust valves, is between 0.04mm and 0.10mm(0.0015-0.004 inch), measured between valve stem and rocker arm. Use the 0.04mm and 0.10mm feeler gauges to check clearances. (See Fig.1.)

Note:

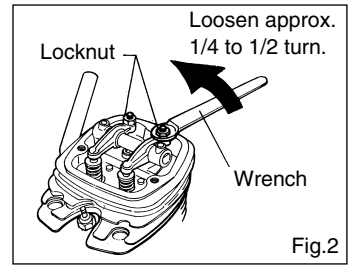
If the gap is found to be less than 0.04mm, it is not necessary to readjust the clearance if the engine has good compression and starts easily.

Equally, if the gap exceeds 0.10mm but is not more than 0.14mm (i.e. the thickness of both feeler gauges inserted together), it is not essential to readjust the clearance if the engine runs satisfactorily.

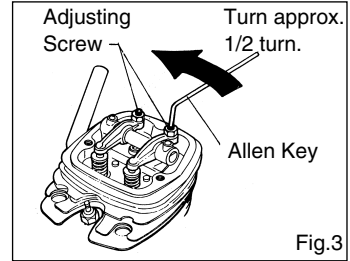


(II) If a clearance is found to be outside either of these limits, it should be reset as follows.

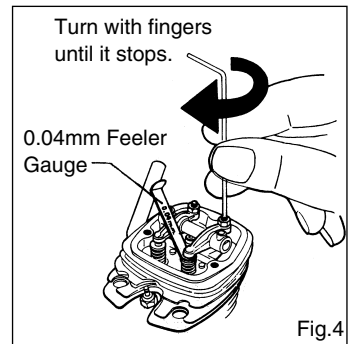
1. Carefully loosen the locknut on rocker-arm 1/4-1/2 turn with 5mm wrench. (Fig.2.)



2. Turn adjusting-screw approx. 1/2 turn counter-clockwise to open gap, using appropriate tool -i.e. Allen hex key. (Fig.3.)

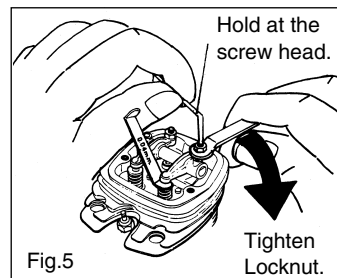


3. Insert 0.04mm feeler gauge between valve stem and rocker-arm and gently turn adjusting screw clockwise until it stops.(Fig.4.)



16

4. Re-tighten locknut while holding adjusting screw stationary. (Fig.5.)



5. Remove 0.04mm feeler, rotate prop through two revolutions and recheck gap.

6. If clearance is correct, loosen the locknut on the other rocker-arm and repeat steps 1 to 5 above. Finally, replace rocker box cover.

Remember:

Excessive valve clearance will cause loss of power, due to valve (s) not opening sufficiently. On the other hand, a total loss of clearance may cause difficult starting due to valves not closing properly, resulting in loss of compression.

CARE AND MAINTENANCE

Please pay attention to the matters described below to ensure that your engine serves you well in regard to performance, reliability and long life.

As previously mentioned, it is vitally important to avoid operating the engine in conditions where dust, disturbed by the propeller, may be deposited on the engine and enter its working parts. Also, remember to keep your fuel container closed to prevent foreign matter from contaminating the fuel. Do not forget to clean the fuel filters periodically and, from time to time, unscrew the complete needle-valve assembly from the carburettor and remove any foreign matter that has accumulated in this area. (See photo.)

If these precautions are neglected, restriction of fuel flow may cause the engine to cut out, or the fuel/air mixture to become too lean causing the engine to overheat.

The use of modern high-performance alcohol based model engine fuels, while promoting cooler running, improved anti-detonation combustion and increased power, have the disadvantage of causing bottom end corrosion in a four-stroke engine. This is due to the acidic by products of combustion that accumulate in the engine's crankcase and are not flushed out by fresh air/fuel mixture as in the case of a two-stroke engine. The use of nitromethane in the fuel can also contribute to the problem. As noted earlier, the FS-120SIII has its most vulnerable components protected against such attack but, as a primary defence, users are advised, once again, to avoid running the engine on too lean a mixture and by making sure that the engine is purged of contaminants as much as possible.

Do not leave unused fuel in the engine at the conclusion of a day's flying. Accepted practice is to cut off the fuel supply while the engine is still running - at full throttle - then, expel as much fuel residue as possible by turning the engine over for 5-10 seconds with the electric starter.

Finally, inject some after-run oil through the glowplug hole and turn the engine over several times by hand.

When the engine is not to be used for some months (for example, as between flying seasons) a worthwhile precaution is to remove it from the airframe and, after washing off the exterior with alcohol (not gasoline or kerosene) to carefully remove the fuel pump, carburettor with intake pipe and all silicone tubing and put them safely aside.

Make sure that the engine is reasonably clean externally, then remove the glowplug and immerse the engine in a container of kerosene. Rotate the crankshaft while the engine is immersed. If foreign matter is visible in the kerosene, rinse the engine again in clean kerosene, before removing it, vigorously shaking off the excess and wiping it dry.

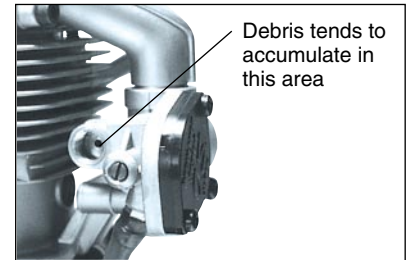
CARE & MAINTENANCE (laying up)

The fuel pump assembly, carburettor/pressure-regulator and silicone tubing must be cleansed separately in methanol or glow fuel. On no account must they come into contact with kerosene.

Before completely reassembling the engine, make sure that no kerosene remains inside that could find its way into the pump unit, carburettor, etc. Inject, sparingly, preserving oils, rust inhibitors, etc. unless approved for silicone-rubber products.

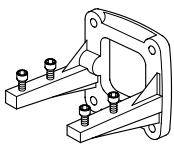
An appropriate alternative here may be one of the high-quality synthetic lubricating oils.

Finally, seal the engine in a heavy polyethylene bag until required for reinstalling in the airframe.



O.S. GENUINE PARTS & ACCESSORIES

■ **RADIAL MOTOR MOUNT**
(71904200)



■ **O.S.GLOW PLUG TYPE F**
(71615009)

■ **NEEDLE VALVE
EXTENSION CABLE SET**
(72200080)



■ **EX EXHAUST HEADER PIPES**
(72109200) Inside
(72109300) Outside



■ **PROPELLER LOCKNUT SET**
(For Spinner)
(45910200)



■ **5/16"-M5 PROPELLER
LOCKNUT SET FOR SPINNER**
(45910300)

■ **BOOSTER CABLE SET**
(72200110)



■ **BOOSTER TERMINAL KIT**
(72200130)



■ **FLEXIBLE EXHAUST PIPES**



Code.No.	Type	Length (mm)
72108510	1414A	120
72108520	1414B	240

■ **ADAPTOR 1411**
(For 1114A-1114D)
(72108500)

■ **NON-BUBBLE
WEIGHT**
(71531000)



■ **SUPER FILTER (L)**
(72403050)

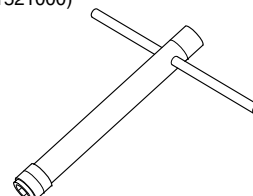


■ **CAP SCREW SET (10pcs.)**

- M2.6x7 (79871020)
- M2.6x15 (79871050)
- M3.5x12 (79871080)
- M3.5x20 (79871100)

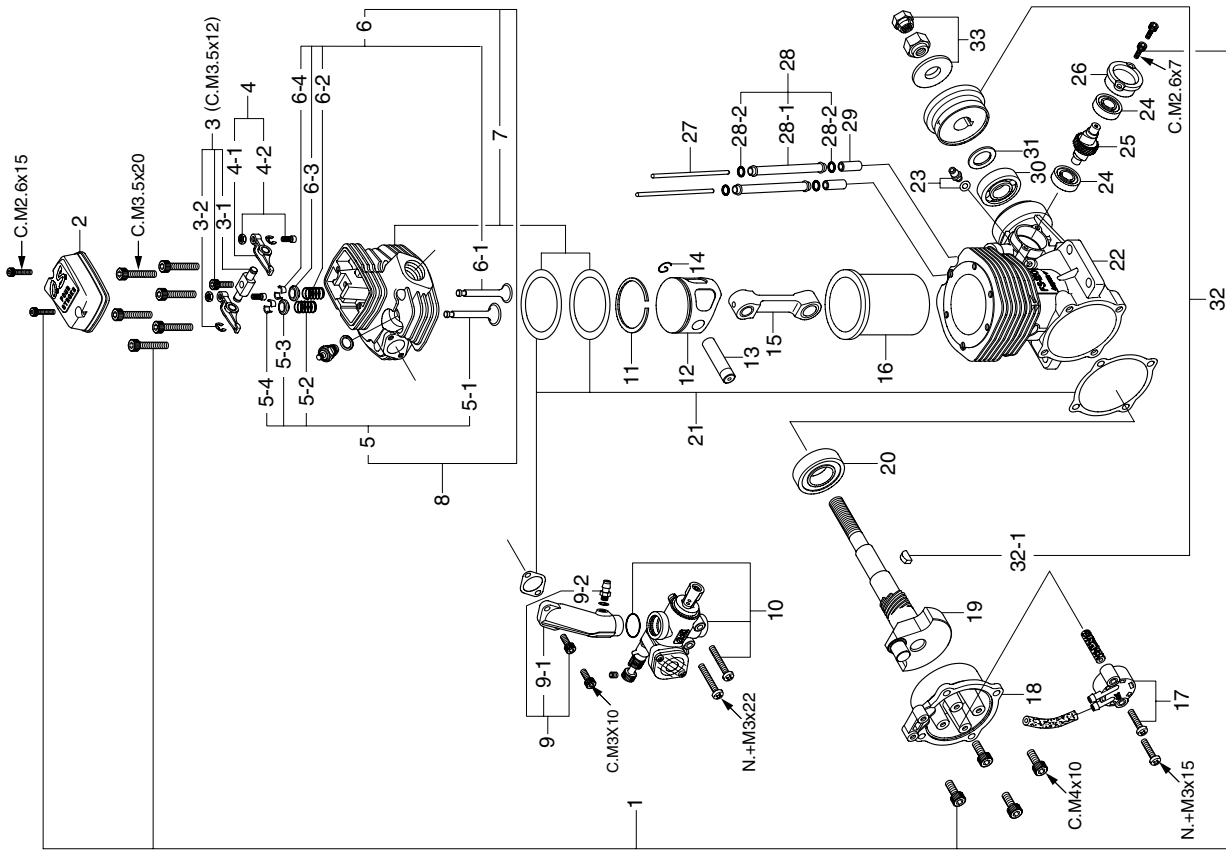


■ **LONG SOCKET WRENCH
WITH PLUG GRIP**
(71521000)



The specifications are subject to alteration for improvement without notice.

EXPLODED VIEW



* Type of screw
 C...Cap Screw M...Oval Fillister-Head Screw
 F...Flat Head Screw N...Round Head Screw S...Set Screw

20

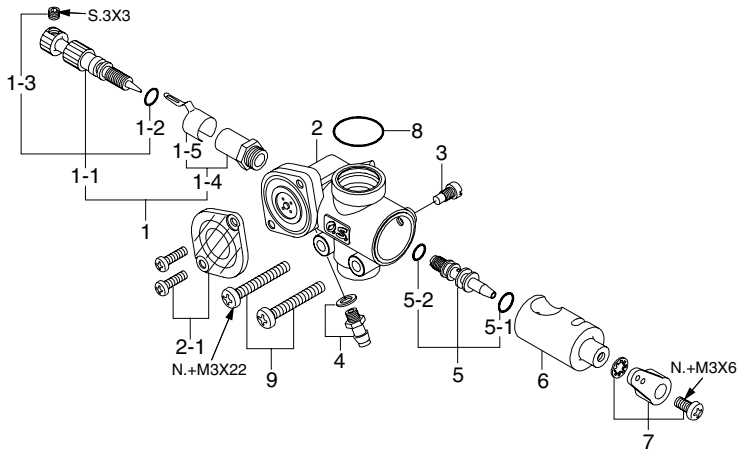
PARTS LIST

No.	Code No.	Description
1	45513010	Screw Set
2	45504230	Rocker Cover
3	45561401	Rocker Support Assembly
3-1	45561410	Rocker Support
3-2	45761600	Rocker Arm Retainer (2pc./1pair)
4	45561010	Rocker Arm Assembly (1pair)
4-1	45561110	Rocker Arm (1pc.)
4-2	45061202	Tappet Adjusting Screw
5	45560030	Intake Valve Assembly (1pair)
5-1	45560130	Intake Valve (1pc.)
5-2	45560210	Valve Spring (1pc.)
5-3	45560310	Valve Spring Retainer (1pc.)
5-4	45560410	Split Cotter (2pc./1pair)
6	45560040	Exhaust Valve Assembly (1pair)
6-1	45560140	Exhaust Valve (1pc.)
6-2	45560220	Valve Spring (1pc.)
6-3	45560310	Valve Spring Retainer (1pc.)
6-4	45560410	Split Cotter (2pc./1pair)
7	45504130	Cylinder Head (w/Gasket)
8	45504030	Cylinder Head (w/valve Assembly)
9	45569030	Intake Pipe Assembly
9-1	45569031	Intake Pipe
9-2	45771000	Breather Nipple (No.5)
10	45582000	Carburetor Complete (Type 70N)
11	45503410	Piston Ring
12	45503210	Piston
13	45506010	Piston Pin
14	28117000	Piston Pin Retainer
15	45505020	Connecting Rod
16	45503100	Cylinder Liner

No.	Code No.	Description
17	72508001	PD-07 Pump Unit
18	45507030	Cover Plate
19	45502040	Crankshaft
20	45530030	Crankshaft Ball Bearing (R)
21	45514030	Gasket Set
22	45501050	Crankcase
23	45771000	Breather Nipple (No.5)
24	45231100	Camshaft Ball Bearing (1pc.)
25	45562030	Camshaft
26	45501130	Cam Cover
27	45566000	Push Rod (2pcs.)
28	45566101	Push Rod Cover Assembly (2pcs.)
28-1	45566111	Push Rod Cover (1pc.)
28-2	45566310	Push Rod Cover "O" Ring (2pcs.)
29	45564000	Cam Follower (2pcs.)
30	29031009	Crankshaft Ball Bearing (F)
31	45520000	Thrust Washer
32	45508030	Drive Hub
32-1	45508200	Woodruff Key
33	45910100	Locknut Set
	45525030	F-5020 Silencer Assembly
	45525031	Silencer Body
	45526030	Exhaust Header Pipe Assembly
	45526031	Exhaust Header Pipe
	45526032	Manifold Nut (M14) (1pc.)
	71615009	Glow Plug Type F
	45581970	Needle
	72200060	Tappet Adjusting Tool Kit

The specifications are subject to alteration for improvement without notice.

CARBURETTOR EXPLODED VIEWS & PARTS LIST



No.	Code No.	Description
1	27381900	Needle Valve Assembly
1-1	29081952	Needle Assembly
1-2	24981837	"O" Ring (2pcs.)
1-3	26381501	Set Screw
1-4	27381940	Needle Valve Holder Assembly
1-5	26711305	Ratchet Spring
2	45582100	Carburetor Body
2-1	45582400	70N Regulator Cover
3	45581820	Rotor Guide Screw
4	22681953	Fuel Inlet (No.1)
5	45582300	Mixture Control Valve Assembly
5-1	46066319	"O" Ring (L) (2pcs.)
5-2	24881824	"O" Ring (S) (2pcs.)
6	45582200	Carburetor Rotor
7	27881400	Throttle Lever Assembly
8	46115000	Carburetor Rubber Gasket
9	45581700	Carburetor Retaining Screw (2pcs.)

* Type of screw

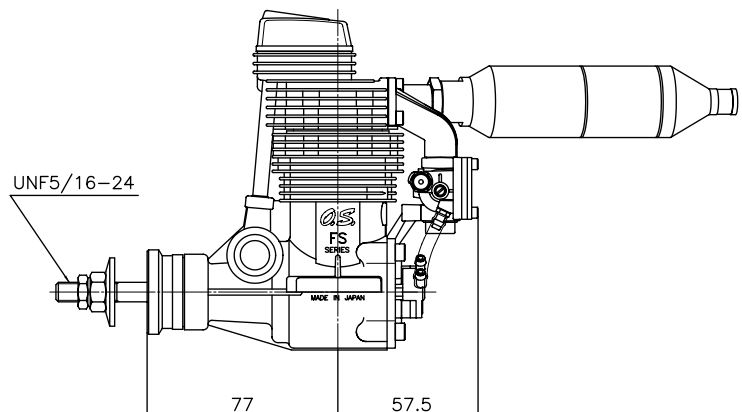
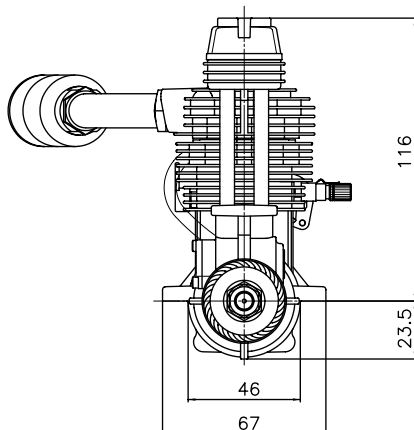
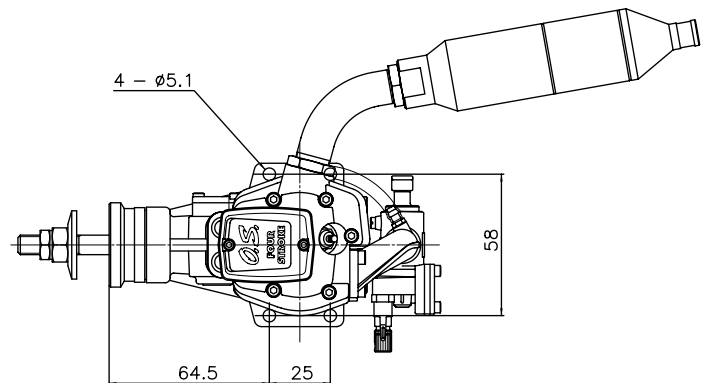
C...Cap Screw M...Oval Fillister-Head Screw
 F...Flat Head Screw N...Round Head Screw S...Set Screw

The specifications are subject to alteration for improvement without notice.

THREE VIEW DRAWING Dimensions(mm)

Specifications

- Displacement 19.96cc/1.218cu.in.
- Bore 30.4mm/1.197in.
- Stroke 27.5mm/1.083in.
- Practical R.P.M. 2,000~12,000r.p.m.
- Output 2.1ps /2.13hp / 12,000r.p.m.
- Weight 920g/32.5oz.



MEMO

.....

.....

.....

.....

.....

.....

.....

.....

.....

.....

.....



O.S. ENGINES MFG. CO., LTD.

6-15 3-Chome Imagawa Higashisumiyoshi-ku
Osaka 546-0003, Japan TEL. (06) 6702-0225

FAX. (06) 6704-2722

URL : <http://www.os-engines.co.jp>