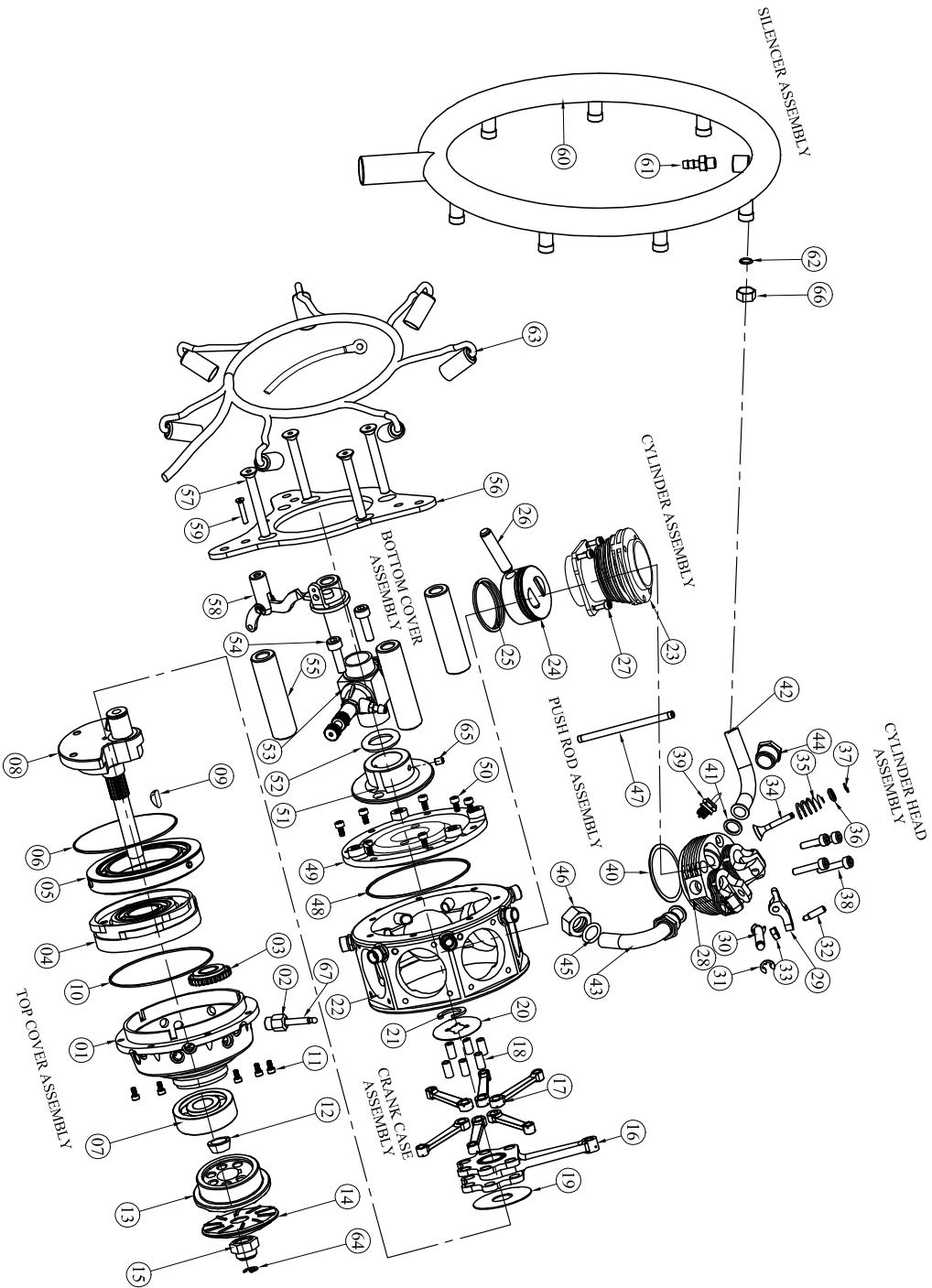


UMS 7-35CC RADIAL EXPLODED VIEW



SI NO	PART NO	PART NAME	REV	QTY
01	UMS735002140	TOP COVER WITH DOWN EL (6)	A	01
02	EV0073504000	CAM PIN GLIDE	O	14
03	EV0073502300	INTERMEDIATE GEAR WITH BRUSH	O	01
04	EV0073502150	CAM GEAR WITH BEARING	C	01
05	UMS735002190	SEALING RING WITH BEARING	O	01
06	ORRD01500010	O-RING (SEALING RING)	O	01
07	BGRD03080210	BEARING (TOP COVER)	O	01
08	UMS735002020	CRANK SHAFT	O	01
09	UMS735002140	WOOD RUFF KEY	O	01
10	ORRD01500010	O-RING TOP COVER	O	01
11	SSS630050080	TOP COVER SCREW	O	07
12	UMS735002120	PROPELLER LOCK CONE	O	01
13	UMS735002100	PROPELLER DRIVE	O	01
14	UMS735002090	PROPELLER WASHER	O	01
15	EV0073502300	PROPELLER LOCK NUT	O	01
16	EV0073501751	CONNECTING ROD MAIN WITH BEARING	O	01
17	EV0073501800	CONNECTING ROD SMALL	O	06
18	EV0073502300	CONNECTING ROD PIN	O	06
19	EV0073512400	SPRING WASHER INSER	O	01
20	EV0073503300	SPRING WASHER OUTER	O	01
21	ECRD01100000	CIRCLIP/CONNECTING ROD	O	01
22	UMS735004030	CRANK CASE WITH MANIFOLD	A	01
23	UMS735003030	CYLINDER WITH SLERVE	A	07
24	EV0073501900	PISTON	O	07
25	EV0073504400	PISTON RING	O	07
26	EV0073502350	PISTON PIN ASSEMBLY	O	07
27	SSS630050060	CYLINDER LOCK SCREW	O	28
28	UMS735001030	CYLINDER HEAD WITH VALVE GUIDE	O	07
29	UMS735001060	ROCKER ARM	O	14
30	UMS735001070	ROCKER ARM PIN	A	14
31	ECRD03030006	CIRCLIP/ROCKER ARM	O	28
32	SPS630050120	ROCKER ARM SCREW	O	14
33	NH1103000020	ROCKER ARM NUT	O	14
34	EV0073503800	VALVE	O	14
35	EV0073502500	VALVE SPRING	O	14
36	EV0073503700	SPRING STAINER	O	14
37	ECRD03019006	CIRCLIP SPRING STAINER	O	14
38	SSS630050120	CYLINDER HEAD LOCK SCREW	O	28
39	GRRD01000000	GLOW PLUG	O	07
40	UMS735001080	CYLINDER HEAD GASKET	O	07
41	EV0073512400	PIPE WASHER	O	14
42	EV0073513000	EXHAUST PIPE	O	07
43	EV0073512500	INLET PIPE	O	07
44	EV0073503100	LOCK NUT (IN & EXHAUST)	O	14
45	ORRD01040010	O-RING INLET PIPE	O	07
46	EV0073503200	LOCK NUT (IN)	A	14
47	UMS735005010	PUSH ROD ASSEMBLY	O	14
48	ORRD01500010	O-RING BOTTOM COVER	O	01
49	UMS735006010	BOTTOM COVER	O	01
50	SSS630050080	BOTTOM COVER LOCK SCREW	O	07
51	UMS735006040	CARBURETOR ADAPTER	O	01
52	ORRD02120020	O-RING CARBURETOR	O	01
53	EV0073511501	CARBURETOR	O	01
54	SSS630050080	CARBURETOR LOCK SCREW	O	02
55	UMS735006020	CARBURETOR ADAPTER LOCK SCREW	A	04
56	UMS735006030	SPRINGER	O	01
57	SC1130040030	BASE PLATE	A	04
58	EV0073506150	CHOKE LEVER ASSEMBLY	A	01
59	SC1130030101	CHOKE LEVER ASSEMBLY LOCK SCREW	A	01
60	UMS735007010	SILENCER RING	O	01
61	TMH825007050	PRESSURE FEED NIPPLE	O	01
62	EV0073513100	SILENCER LOCK CONE	O	07
63	UMS735577000	WIRE HARNESS ASSEMBLY	O	01
64	ERRD01060007	CIRCLIP CRANK SHAFT	O	01
65	SPS630050030	CARBURETOR LOCK SCREW	O	02
66	EV0073518500	LOCK NUT (SILENCER)	O	07
67	EV0077716700	CAM PIN	O	14

REV	DATE	DETAIL
10	14-11-19	ORIGINAL

DRAWING NO	DESCRIPTION
UMSR7035-10	UMS 7-35cc Radial Engine (GLOW)