

Radio control model / Flugmodell

BEECHCRAFT

BARON

VQ No: VQA157USAR - VQA157US



ALL Balsa, PLYWOOD CONSTRUCTION AND ALMOST READY TO FLY

Instruction manual / Montageanleitung

SPECIFICATIONS

Wingspan:.....1760mm (69.2in)
Length:.....1210mm (47.6 in)
Electric Motor:.....See next pager
Glow Engine:.....Twin 40 - 2T
RTF Weight: 4.3Kg / 9.5lbs (Will vary with
Equipment Used).
Radio:.....6 Channel / 7-8 Servos
Function: Ailerons-Elevator-Rudder-Throttle
Flaps-Optional Retractable Landing Gear.

TECHNISCHE DATEN

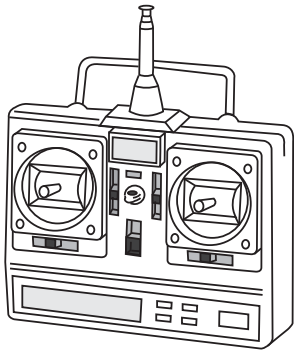
Spannweite:.....1760mm
Länge:.....1210mm
Elektroantrieb.....(siehe nächste Seite)
Verbrennerantrieb:.....7.45cc 2T
Fluggewicht:.....4.3Kg
Fernsteuerung.....6 Kanal / 7-8 Servos



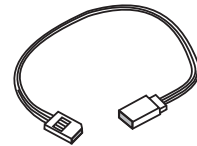
WARNING! This radio controlled model is NOT a toy. If modified or flown carelessly it could go out of control and cause serious human injury or property damage. Before flying your airplane, ensure the air field is spacious enough. Always fly it outdoors in safe areas and seek professional advice if you are unexperienced.

ACHTUNG! Dieses ferngesteuerte Modell ist KEIN Spielzeug! Es ist für fortgeschrittene Modellflugpiloten bestimmt, die ausreichende Erfahrung im Umgang mit derartigen Modellen besitzen. Bei unsachgemäßer Verwendung kann hoher Personen- und/oder Sachschaden entstehen. Fragen Sie in einem Modellbauverein in Ihrer Nähe um professionelle Unterstützung, wenn Sie Hilfe im Bau und Betrieb benötigen. Der Zusammenbau dieses Modells ist durch die vielen Abbildungen selbsterklärend und ist für fortgeschrittene, erfahrene Modellbauer bestimmt.

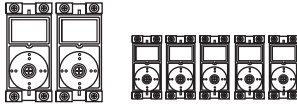
REQUIRED FOR OPERATION (Purchase separately)



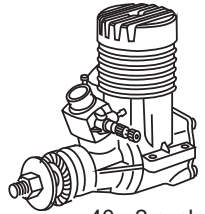
10.5x6 for .40 - 2 cycle engine
11x6 for .46 - 2 cycle engine
12x7 for electric motor



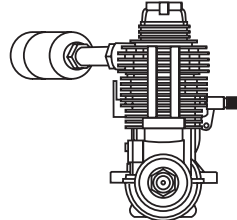
Extension for aileron, Flap servo, retract servo and Rx battery pack.



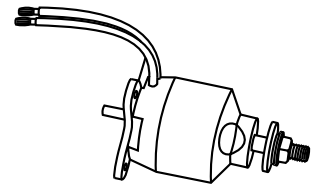
Minimum 6 channel radio for airplane with 6 (7 for EP) servos.



.40 - 2 cycle

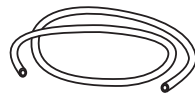


.50 - 4 cycle



800 Watt Brushless Motor

.Motor control x1 mini servo(for GP) .Elevator x1
.Rudder x1. Aileron x2mini servo. Flapx2 mini servo

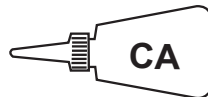


Silicone tube

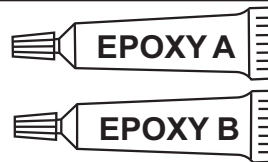
GLUE (Purchase separately)



Silicon sealer



Cyanoacrylate Glue



Epoxy Glue (5 minute type)

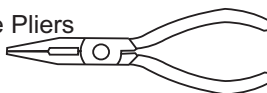
Epoxy Glue (30 minute type)

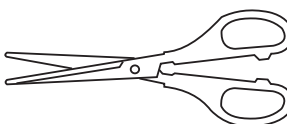
TOLLS REQUIRED (Purchase separately)


Hobby knife 


Phillip screw driver 

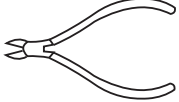
Hex Wrench 

Needle nose Pliers 

Scissors 

Awl 

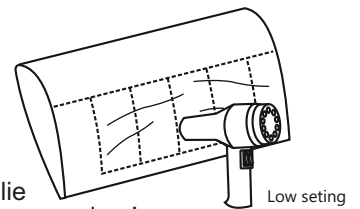
Sander 

Wire Cutters 

Masking tape - Straight Edged Ruler - Pen or pencil - Drill and Assorted Drill Bits


If exposed to direct sunlight and/or heat, wrinkles can appear. Storing the model in a cool place will let the wrinkles disappear. Otherwise, remove wrinkles in covering film with a hair dryer, starting with low temperature. You can fix the corners by using a hot iron.


Bei Sonneneinstrahlung und/oder Wärme kann die Folie erschlaffen bzw. Falten entstehen. Verwenden Sie ein Warmluftgebläse (Haartrockner) um evtl. Falten aus der Folie zu bekommen. Die Kanten können Sie mit einem Bügeleisen behandeln. Nicht zuviel Hitze anwenden !





Low setting


Symbols used throughout this instruction manual, comprise:


 Drill holes using the stated size of drill (in this case 1.5 mm)


 Take particular care here


 Hatched-in areas: remove covering film carefully

 Check during assembly that these parts move freely, without binding

 Use epoxy glue

 Apply cyano glue

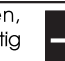
 Assemble left and right sides the same way.

 Not included. These parts must be purchased separately

 Löcher bohren mit dem angegebenen Bohrer (hier 1,5 mm)


 Hier besonders aufpassen

 Schraffierte Stellen, Bespannfolie vorsichtig entfernen

 Während des Zusammenbaus immer prüfen, ob sich die Teile auch reibungslos bewegen lassen

 Epoxy-Klebstoff verwenden

 Sekundenkleber auftragen

 Linke und rechte Seite wird gleichermaßen zusammengebaut

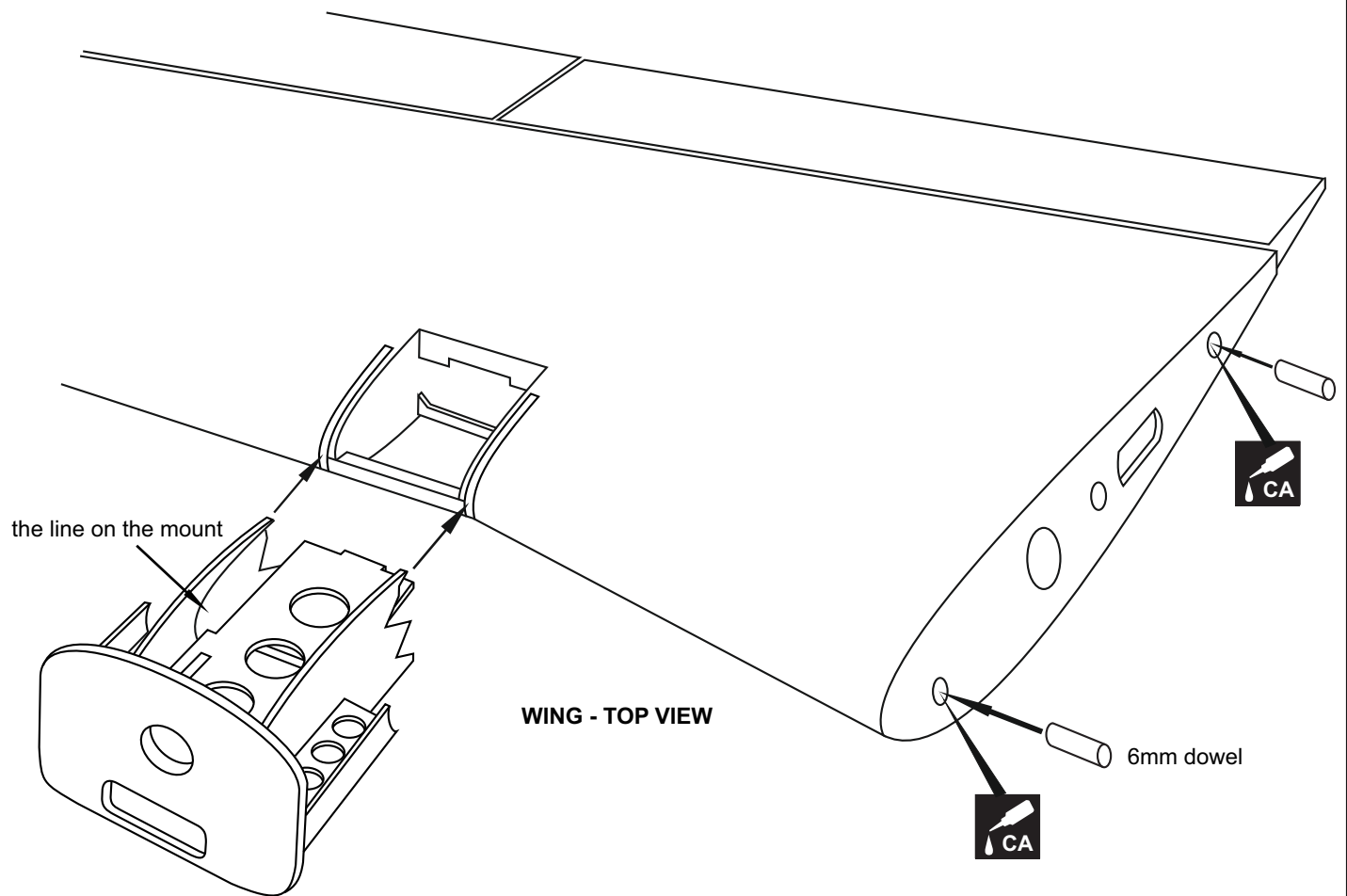
 Nicht enthalten. Teile müssen separat gekauft werden.

Read through the manual before you begin, so you will have an overall idea of what to do.

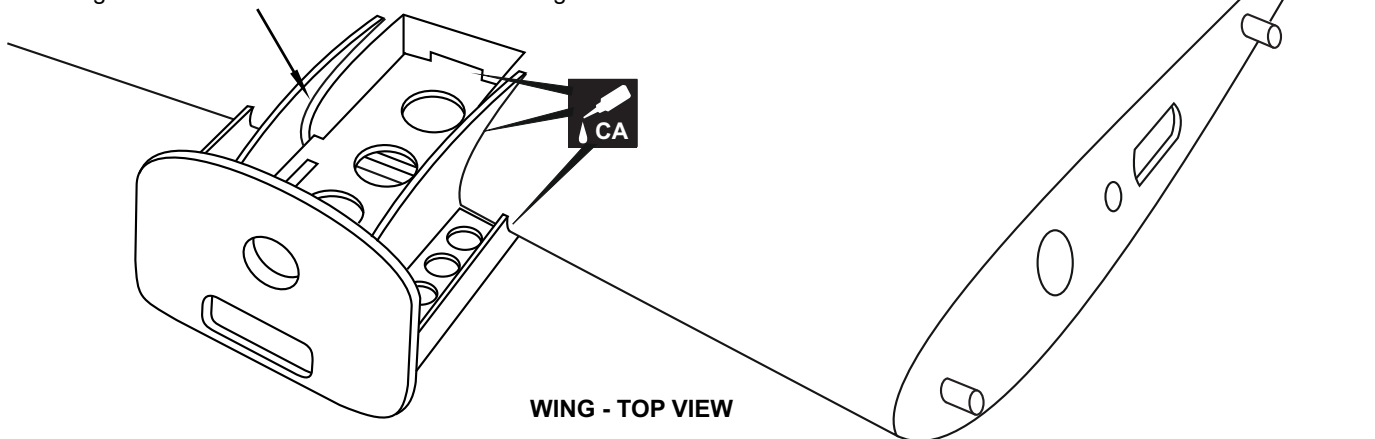
CONVERSION TABLE

1.0mm = 3/64"	3.0mm = 1/8"	10mm = 13/32"	25mm = 1"
1.5mm = 1/16"	4.0mm = 5/32"	12mm = 15/32"	30mm = 1-3/16"
2.0mm = 5/64"	5.0mm = 13/64"	15mm = 19/32"	45mm = 1-51/64"
2.5mm = 3/32"	6.0mm = 15/64"	20mm = 51/64"	

1- Motor mount installation



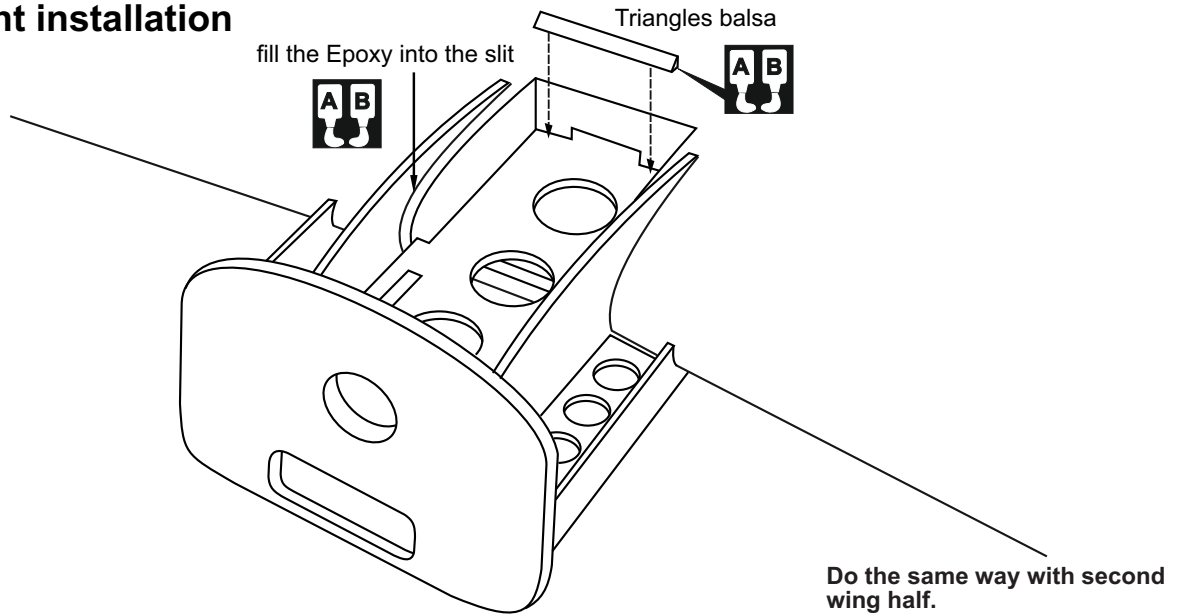
Carefully, push the motor mount into the opening on the wing until the line on the base matches the wing surface.



Note: Remove the cover before gluing.

Do the same way with second wing half.

2- Motor mount installation



3- Motor mount installation

UP

Step 3A
Using an aluminum motor mounting plate as a template, mark the plywood motor mounting plate where the four holes are to be drilled.

Step 3B
Remove the aluminum motor mounting plate and drill a 1/8"(3mm) hole through the plywood at each of the four marks marked.

Step 3D
Remove the wooden motor mounting plate and drill a 5mm hole through the fire-wall at each of the four marks marked.

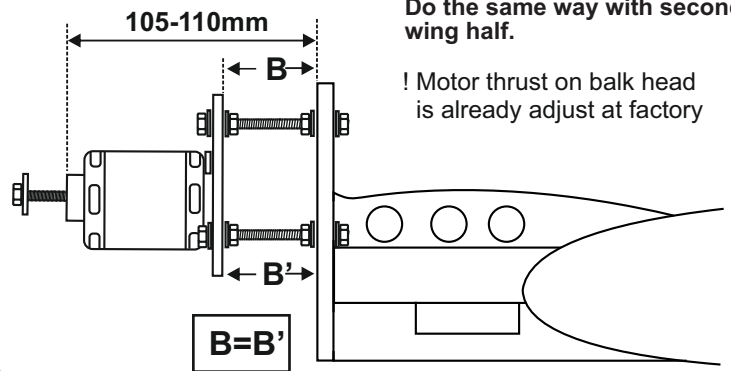
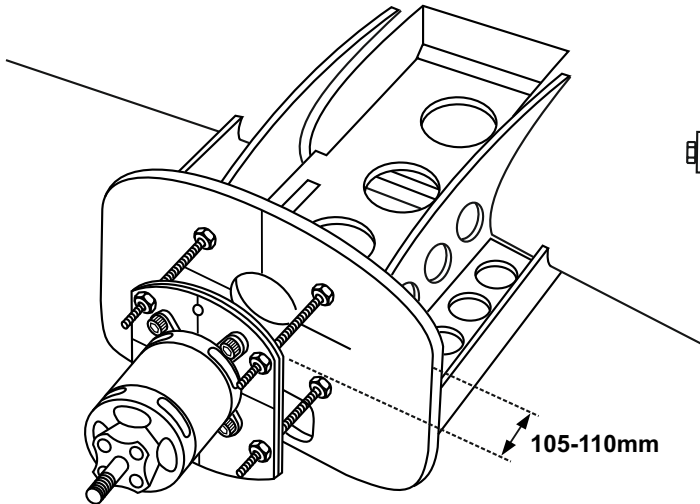
! Align the mark on wooden motor mounting plate with the mark on the fire-wall.

Step 3C
Using a wooden motor mounting plate as a template, mark the fire-wall where the four holes are to be drilled.

	5x80mm bolt....4
	5mm nut.....12
	5mm washer...16

Step 3E
Do the same way with second wing half.

4- Motor mount installation



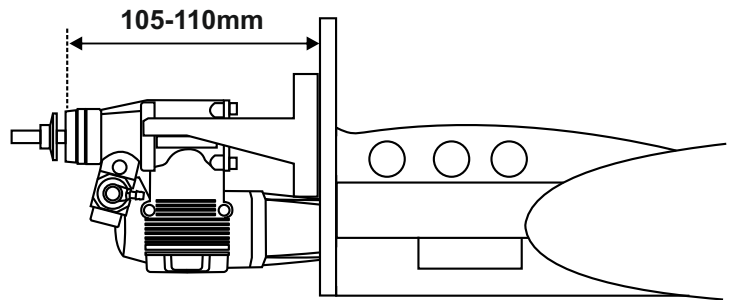
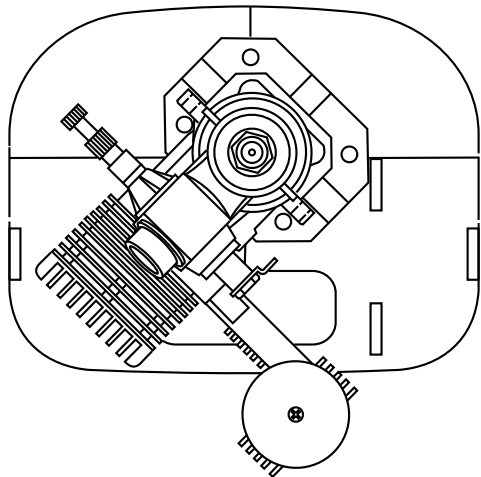
Do the same way with second wing half.
! Motor thrust on balk head is already adjust at factory

Motor and Motor base - Side view

Secure the Motor to the wooden motor mounting plate using the four 3mm bolts.

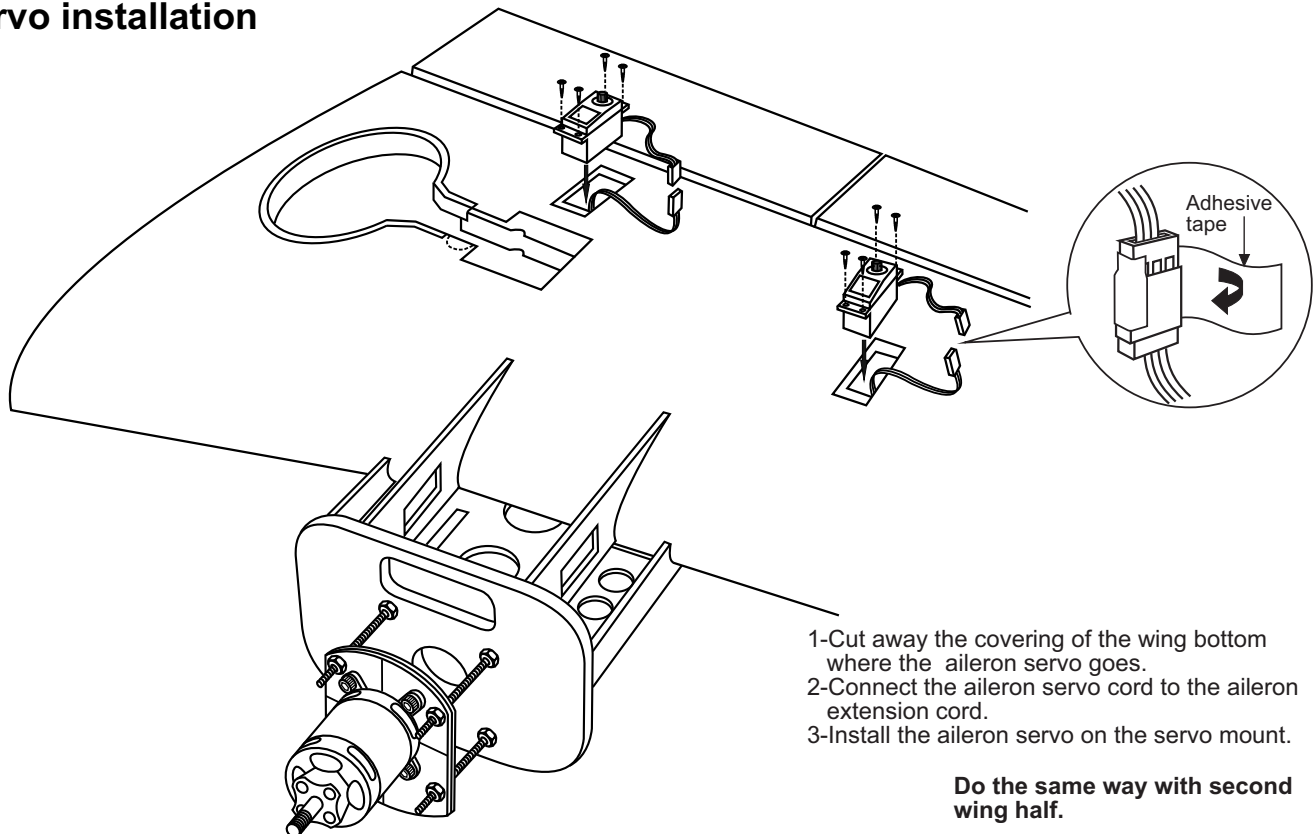


5- Engine installation



Note: Engine mount and fuel tank must be purchased separately

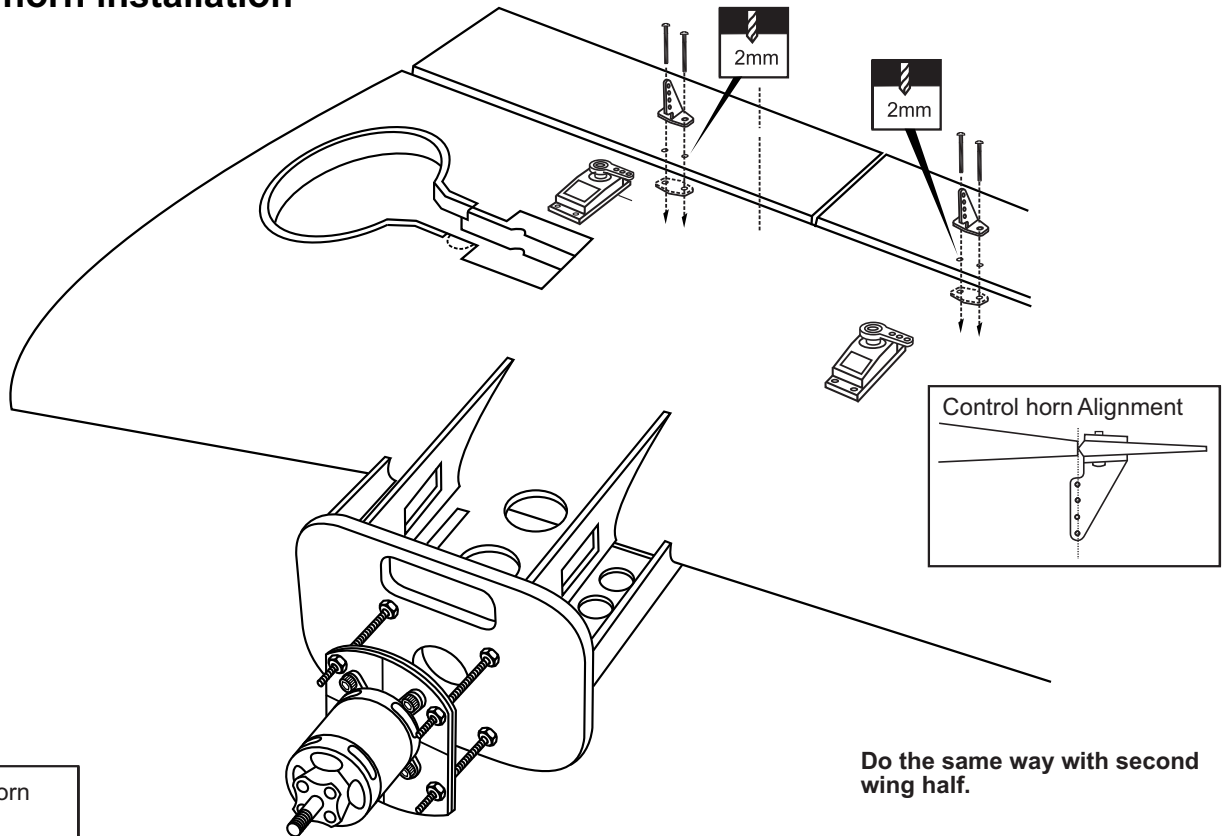
6- Servo installation



- 1-Cut away the covering of the wing bottom where the aileron servo goes.
- 2-Connect the aileron servo cord to the aileron extension cord.
- 3-Install the aileron servo on the servo mount.

Do the same way with second wing half.

7- Control horn installation

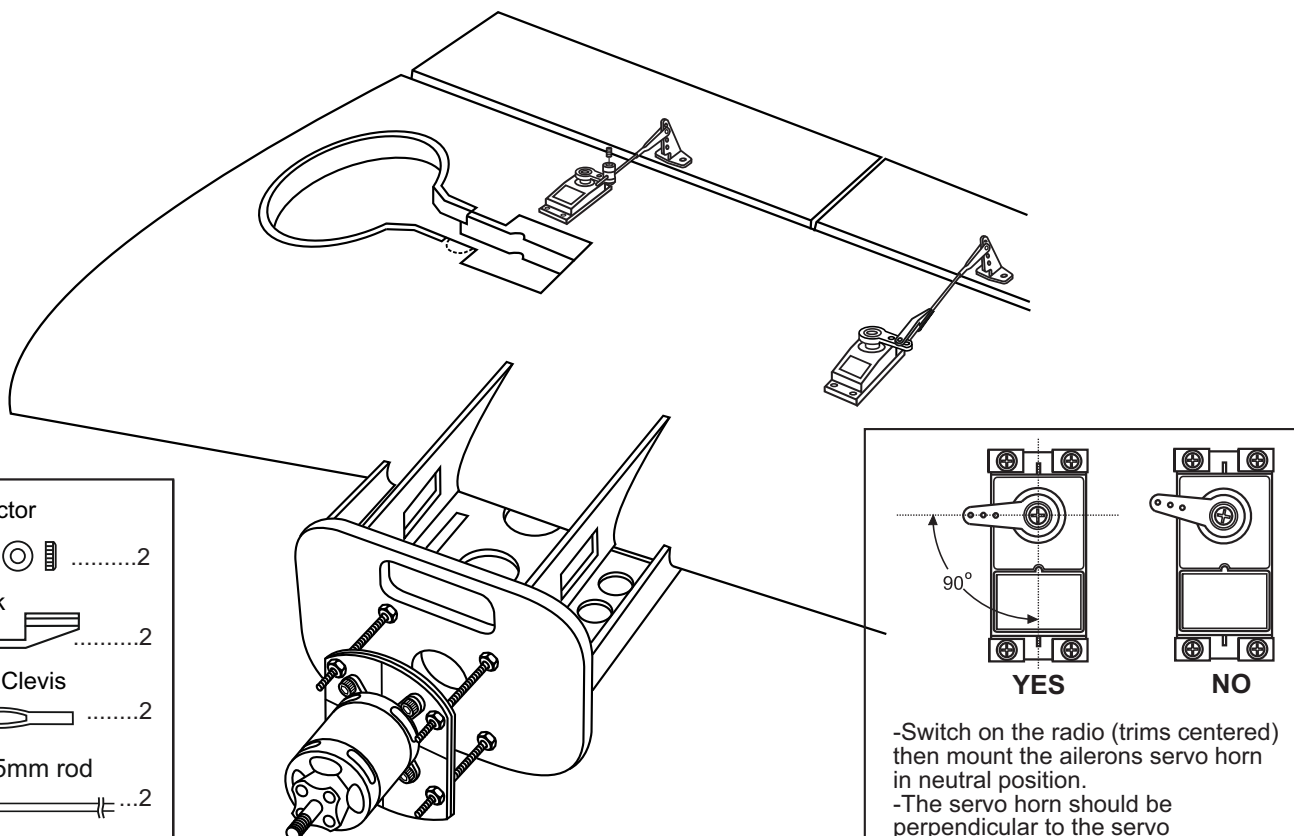


Do the same way with second wing half.

- Plastic control horn4
- 2x30mm screw8

- 1-Depending on the position of the linkage, determine the location of aileron control horn. The horn holes must be perfectly aligned with the axis of articulation.
- 2-Mark the position of the "foot" of the horn on the aileron. Then, with the drill, make the 2 holes.
- 3-Install the aileron control horn as shown.

8- Linkages


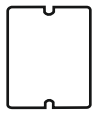
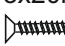
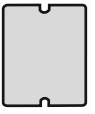
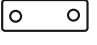
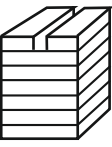


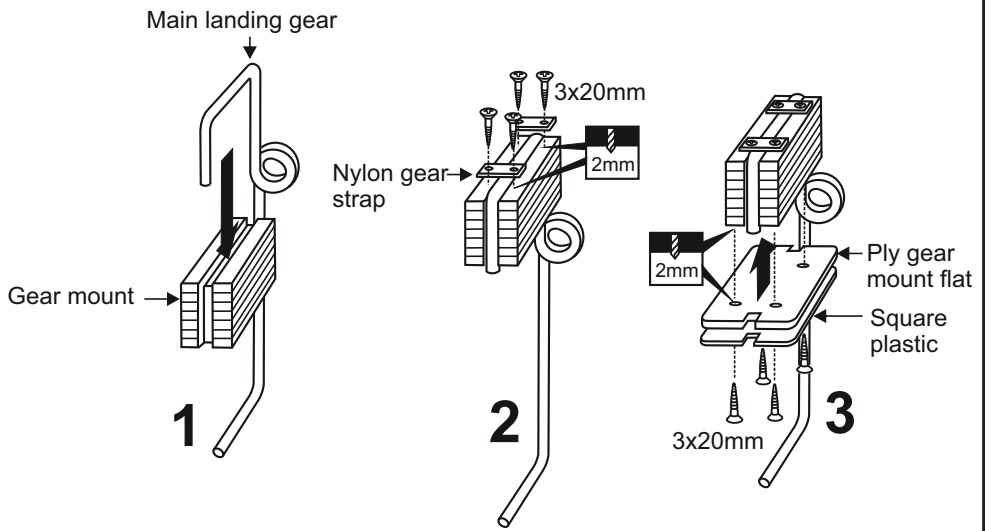
Do the same way with second wing half.

- Connector2
- EZ link2
- Steel Clevis2
- 2x175mm rod2

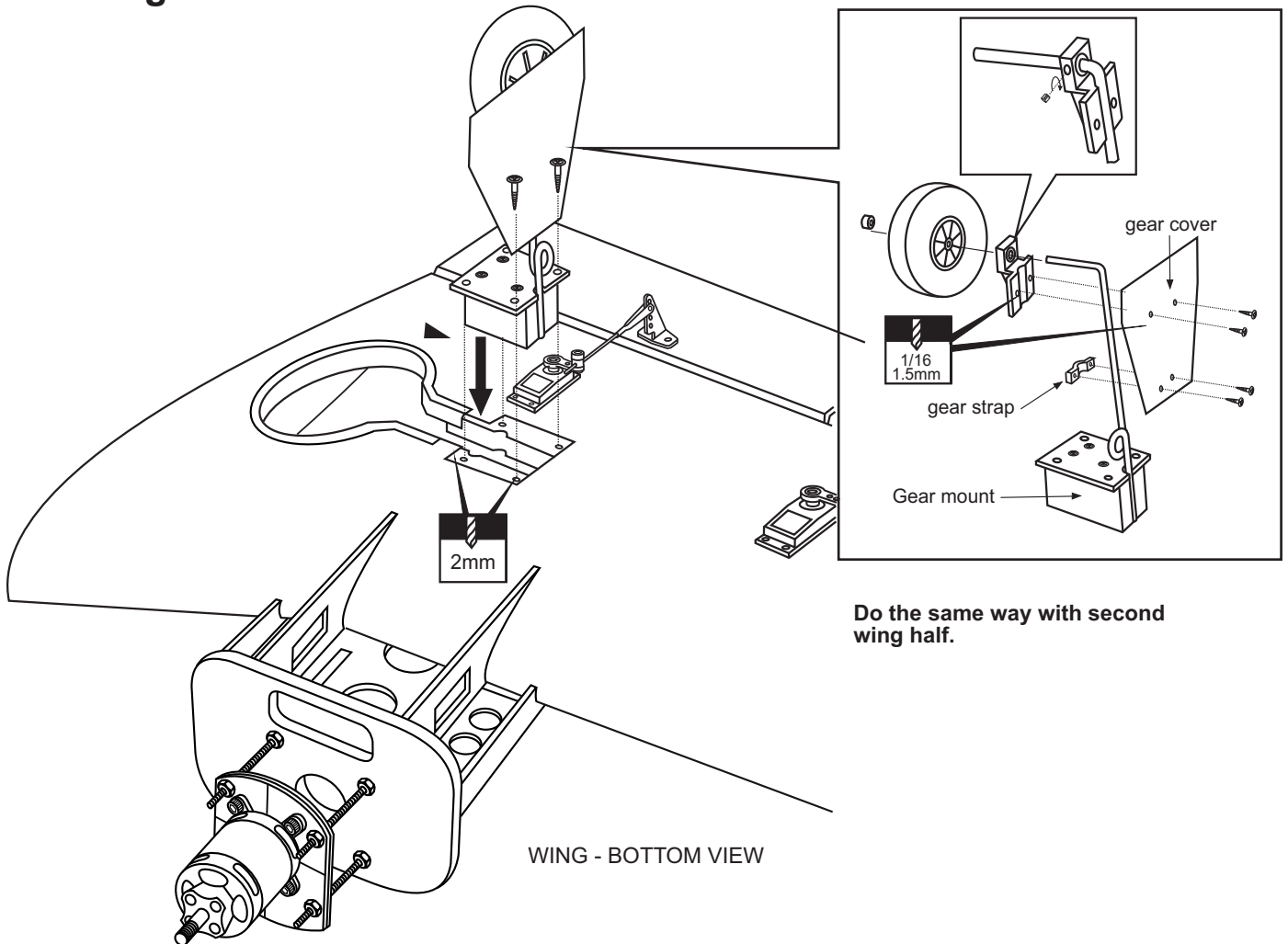
- YES** **NO**
- Switch on the radio (trims centered) then mount the ailerons servo horn in neutral position.
- The servo horn should be perpendicular to the servo

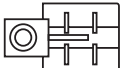

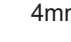



9- Fixed gear assembly

3x12mm screw 	8		Square plastic x 2
3x20mm screw 	16		Ply gear mount plate x 2
Nylon gear strap 	4		Gear mount x 2

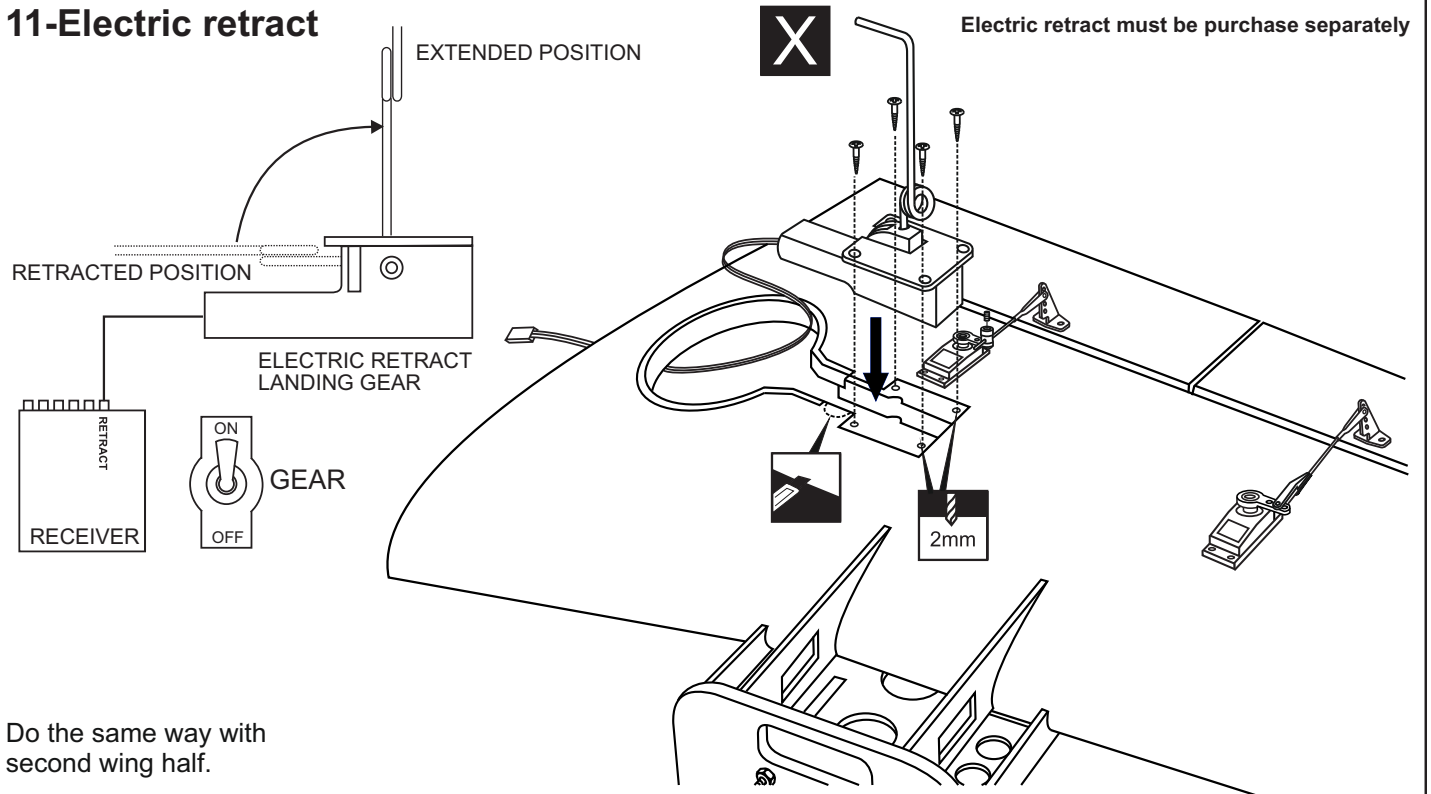


10-Fixed gear installation

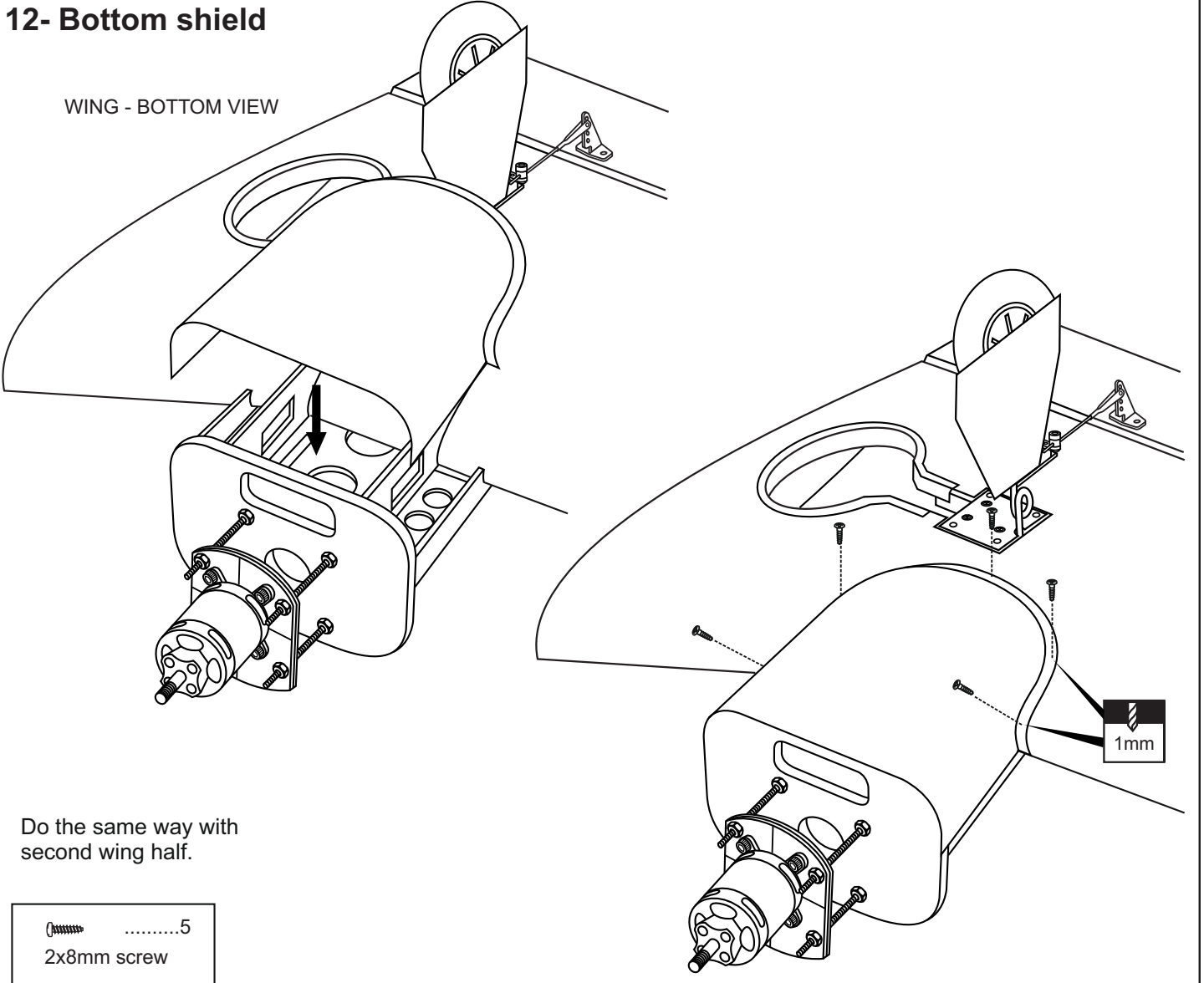


	2		2		2		8		8		2
		4mm collar		3x12mm screw		2x8mm screw					

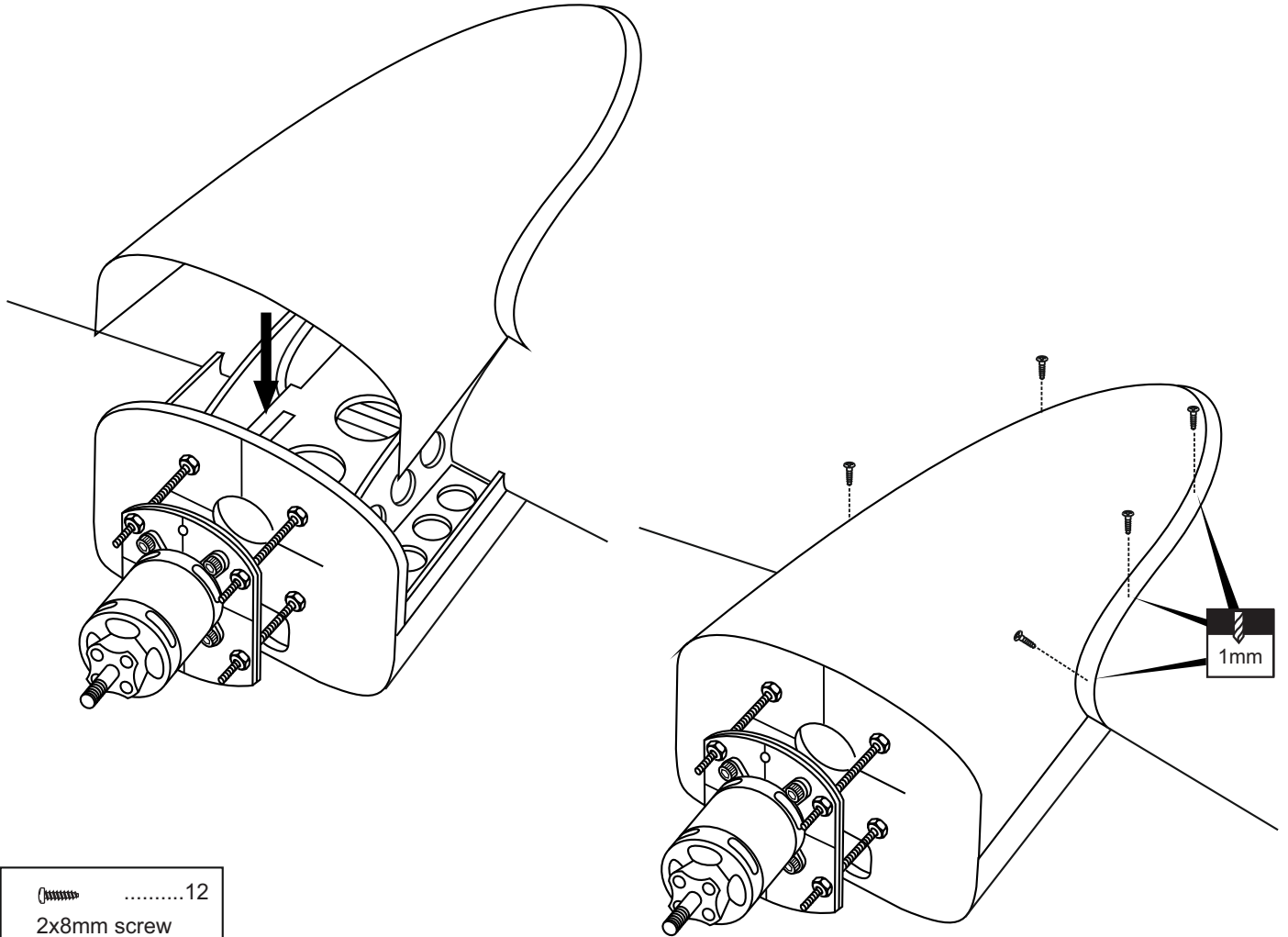
11-Electric retract




12- Bottom shield

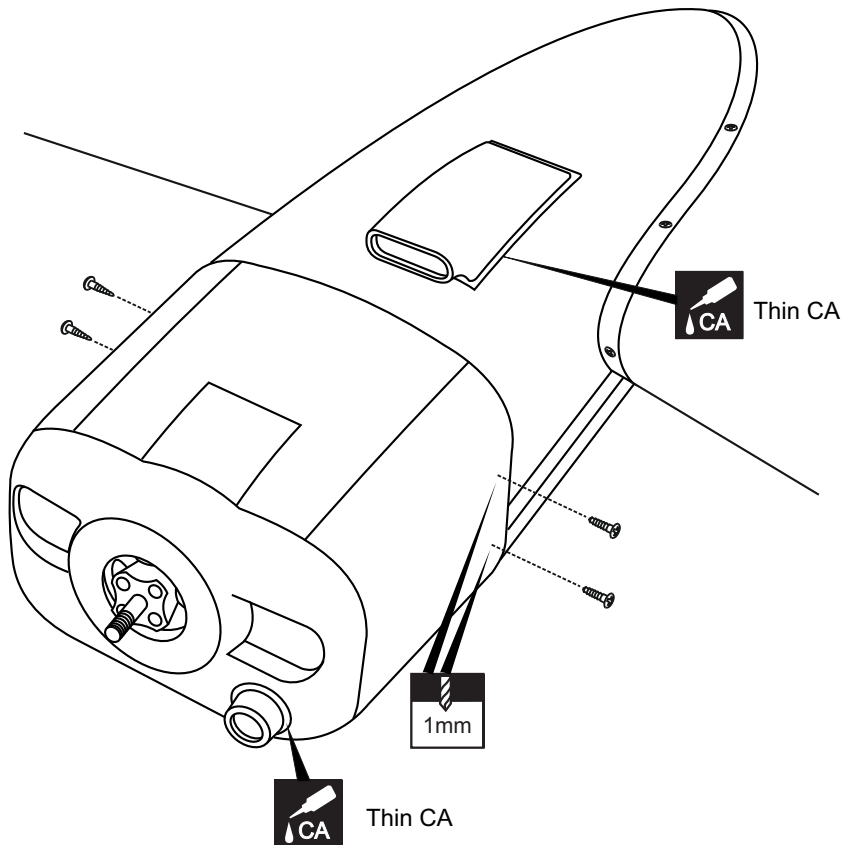


13- Top shield




- 12
- 2x8mm screw

14- Cowling installation



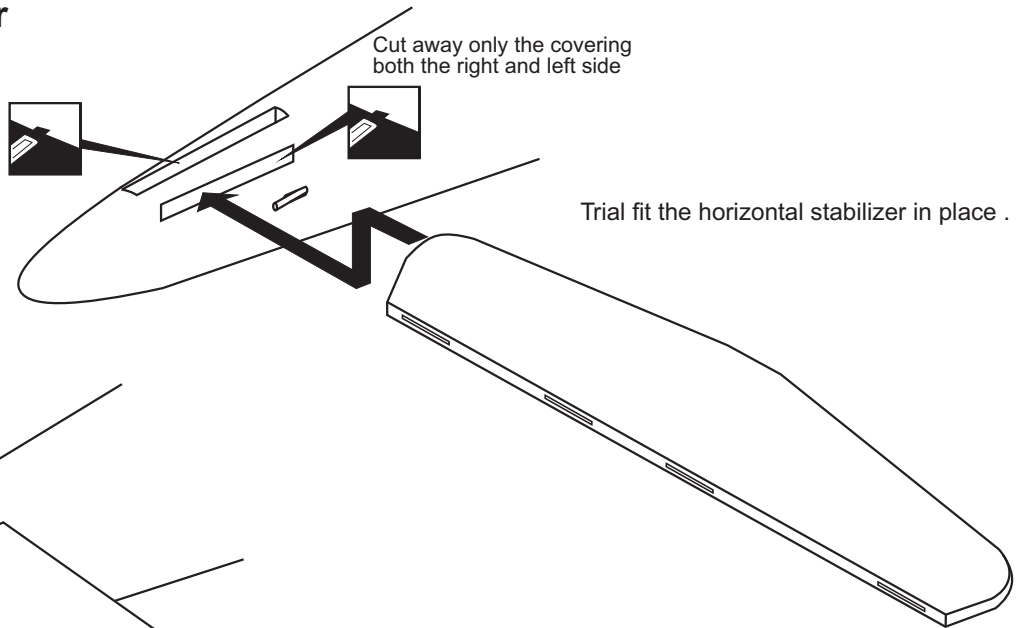
Do the same way with second wing half.

- 8
- 2x8mm screw

 Thin CA

15-Horizontal Stabilizer

Cut away only the covering both the right and left side

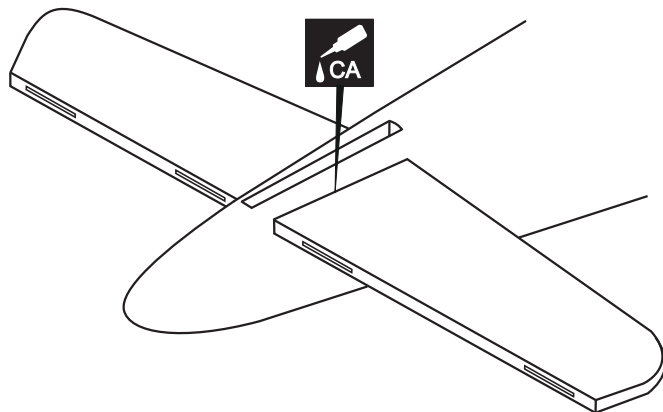


Trial fit the horizontal stabilizer in place .

Check the alignment of the horizontal stabilizer. When you are satisfied with the alignment, use a pencil to trace around the top and bottom of the stabilizer where it meets the fuselage.

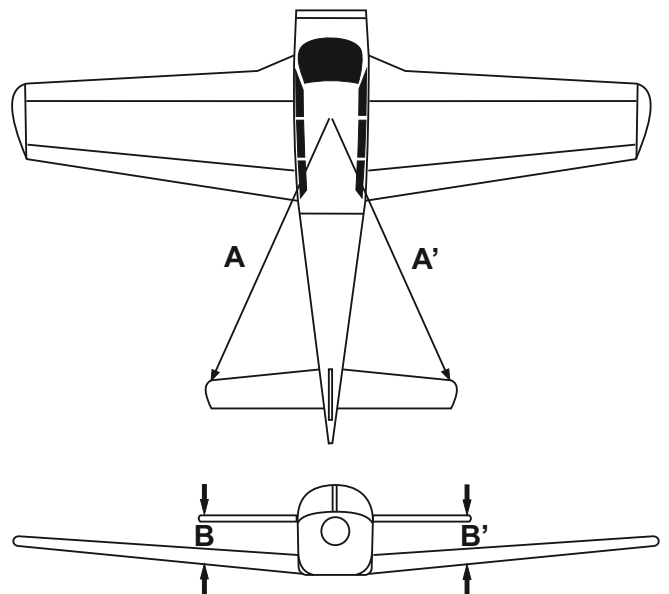
Cut away only the covering both sides.

Remove the horizontal stabilizer from the vertical stabilizer. Using a straight edge and a sharp hobby knife, carefully cut away the covering **inside the lines** which were marked above. Be cautious **not to cut into the wood**-this will weaken the structure.



Again, slide the horizontal stabilizer into the slot on the fuselage. Check the alignment of the horizontal stabilizer. When you are satisfied with the alignment, glue the both sides of the horizontal stabilizer where it meets the fuselage.

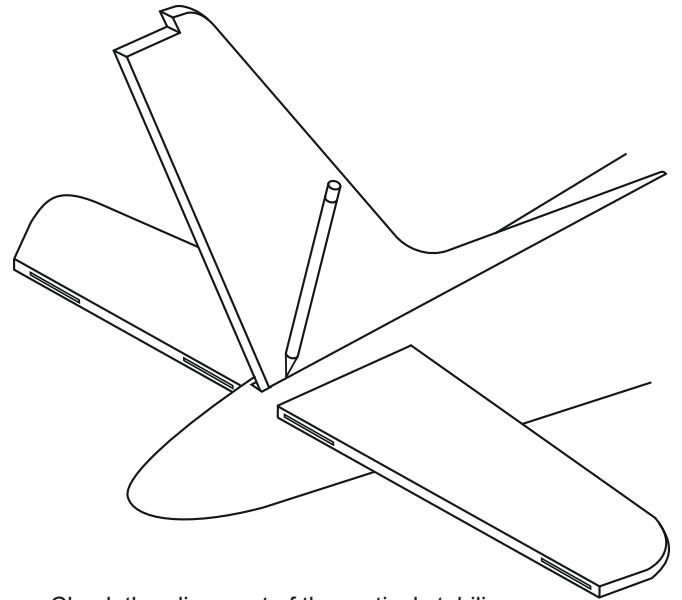
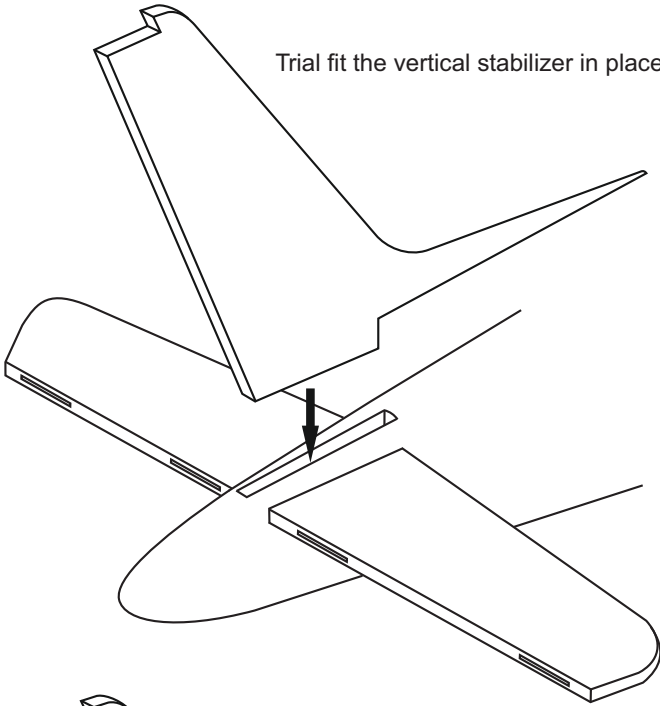
! Securely glue together. If coming off during fly, you lose control of your air plane.



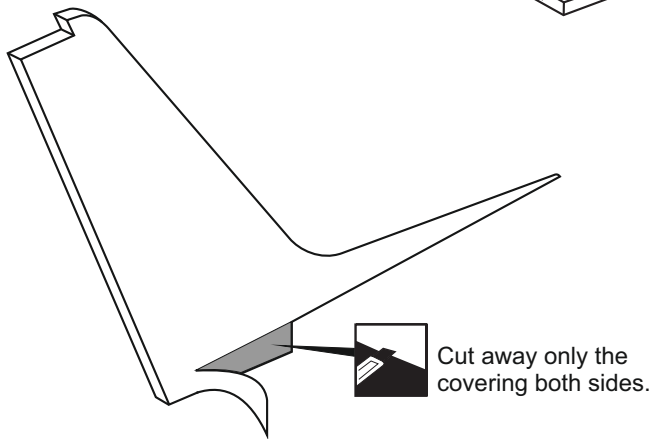
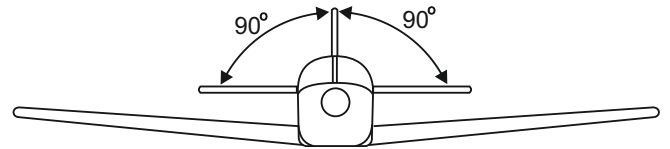
A=A' B=B'

16- Vertical Stabilizer

Trial fit the vertical stabilizer in place .

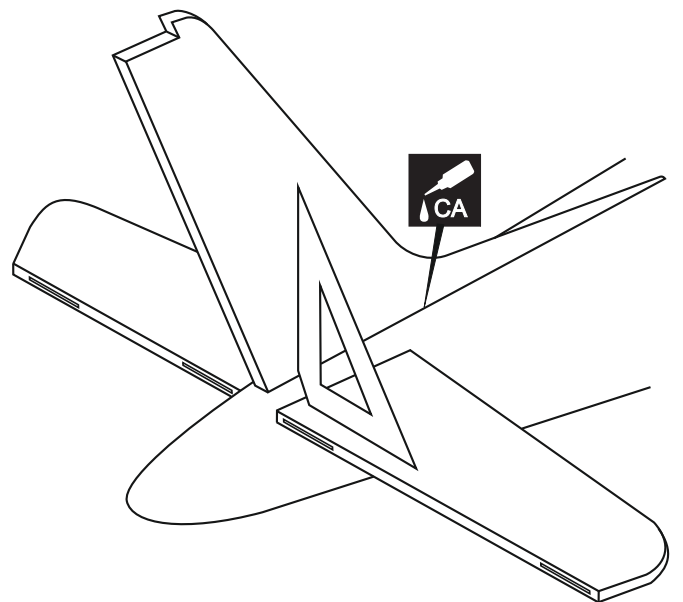


Check the alignment of the vertical stabilizer. When you are satisfied with the alignment, use a pencil to trace around the left and right of the vertical stabilizer where it meets the fuselage.

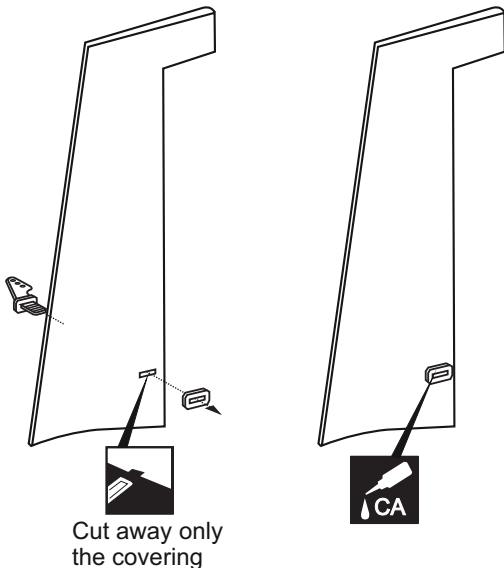


Cut away only the covering both sides.

Remove the vertical stabilizer from the fuselage. Using a sharp hobby knife, carefully cut away the covering **below the lines** which were drawn in the previous step. **Do not cut into the woods** as this will affect the structural integrity of the stabilizer.



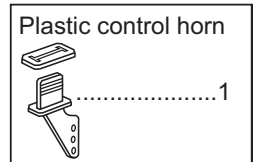
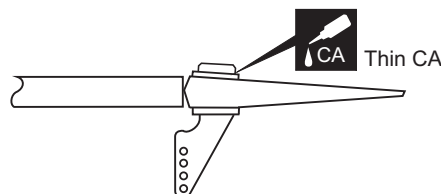
Again, insert the vertical stabilizer into the fuselage. With the perpendicular, check the alignment of the vertical stabilizer and the horizontal stabilizer. When you are satisfied with the alignment, secure the vertical stabilizer in place using thin CA glue.
! Securely glue together. If coming off during fly, you lose control of your air plane.



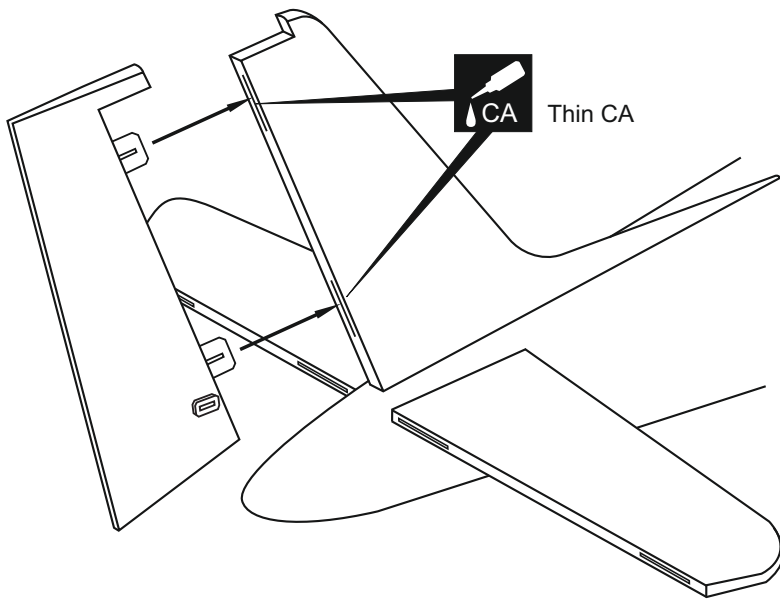
Cut away only the covering



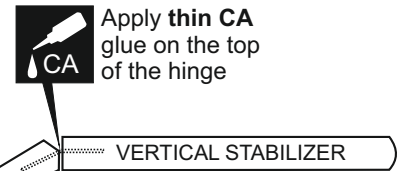
Note: the rectangular hole for the control horn installation is pre-cut at factory.



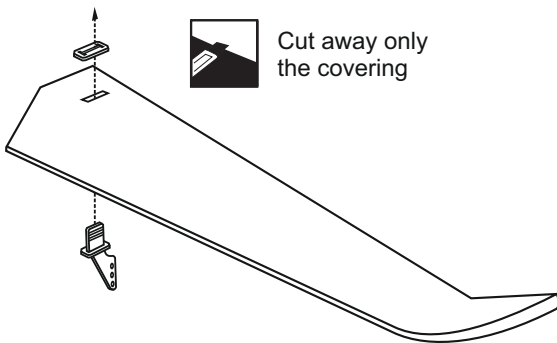
17- Rudder



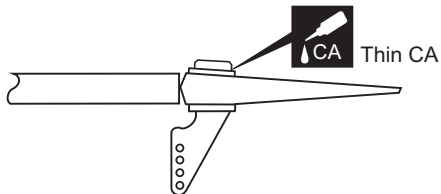
Apply a thin layer of petroleum jelly



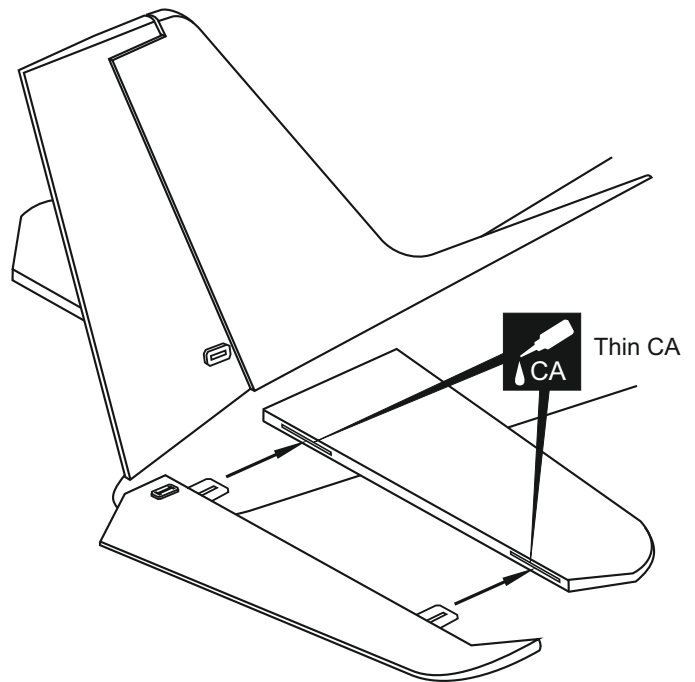
! Securely glue together. If coming off during fly, you lose control of your air plane.



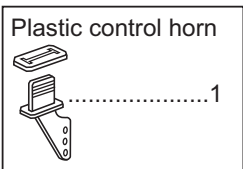
Note: the rectangular hole for the control horn installation is pre-cut at factory.



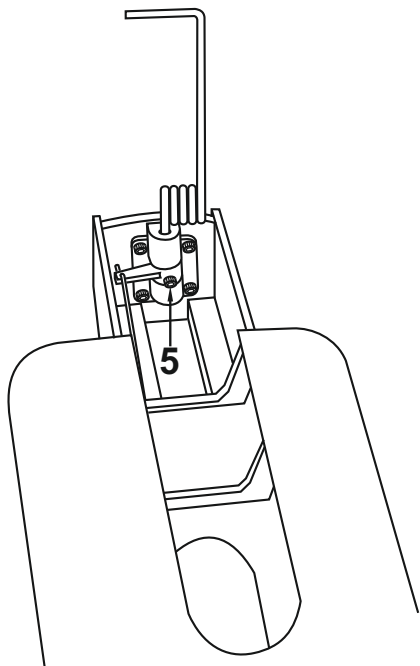
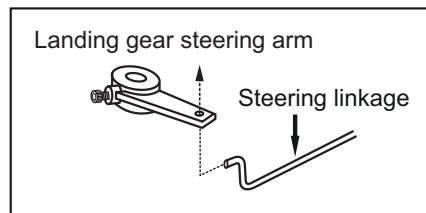
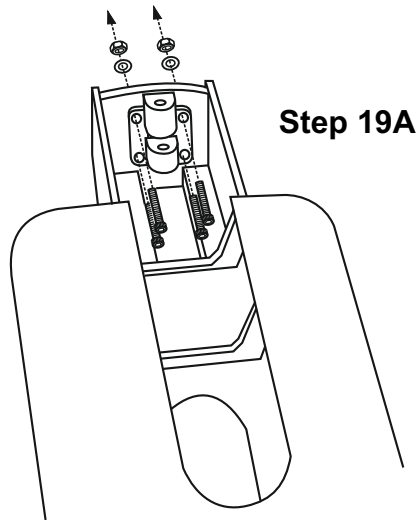
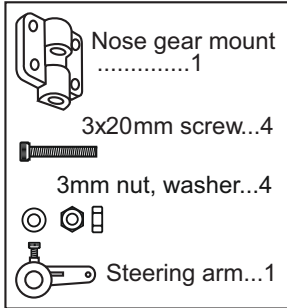
! Securely glue together. If coming off during fly, you lose control of your air plane.



Repeat the previous procedures to hinge the second elevator to the other side of the horizontal stabilizer.

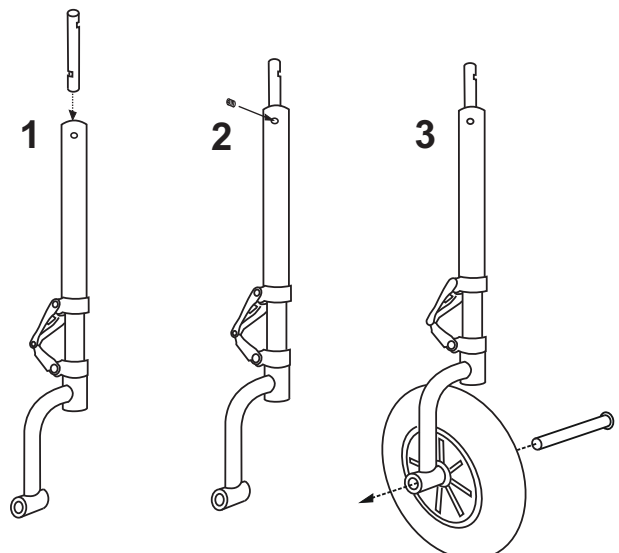
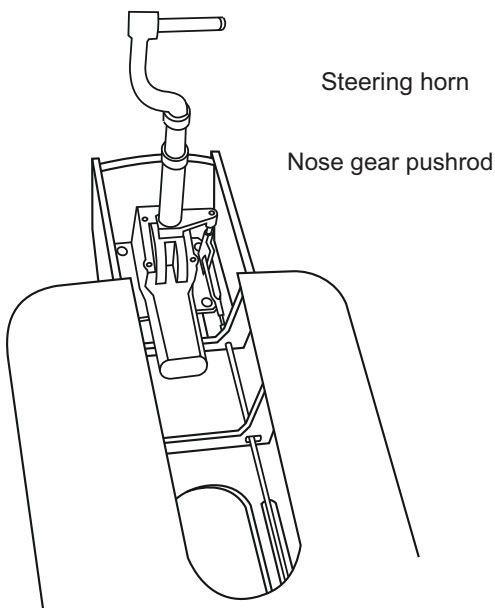


18-Nose gear



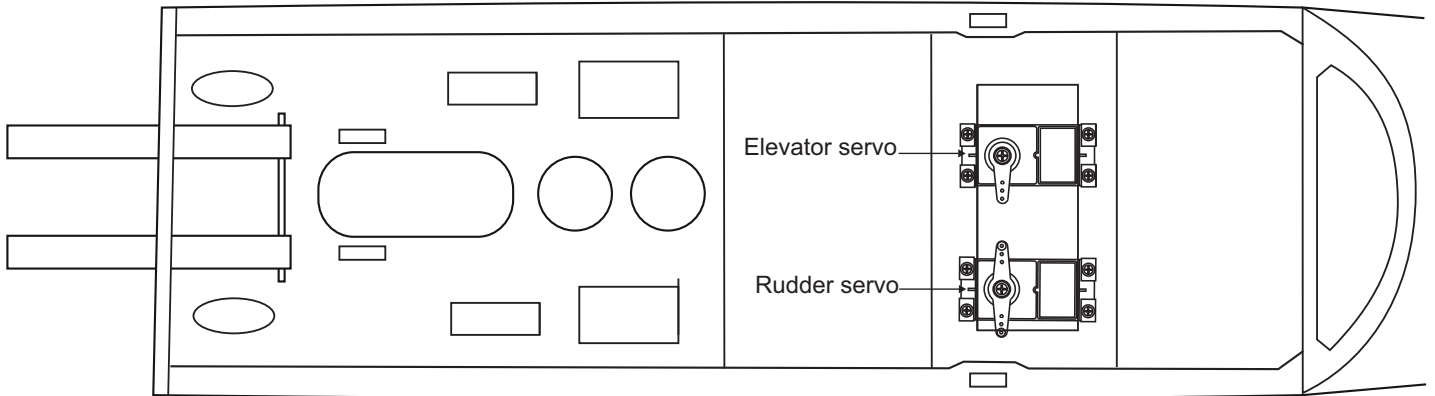
- 1- Route the steering linkage into the fuselage and through the fire-wall.
- 2- Insert "Z" bend of steering linkage inside the hole of front landing gear Steering arm.
- 3- Position the steering arm inside the front landing gear mount already Attached to the firewall.
- 4- Slide in the front gear leg with the flat to back through the bearing and steering arm.
- 5- Screw steering arm on the leg.

IN CASE OF ELECTRIC RETRACT LANDING GEAR USING
(Electric retract landing gear and Struts must purchase separately)



19- Servo installation

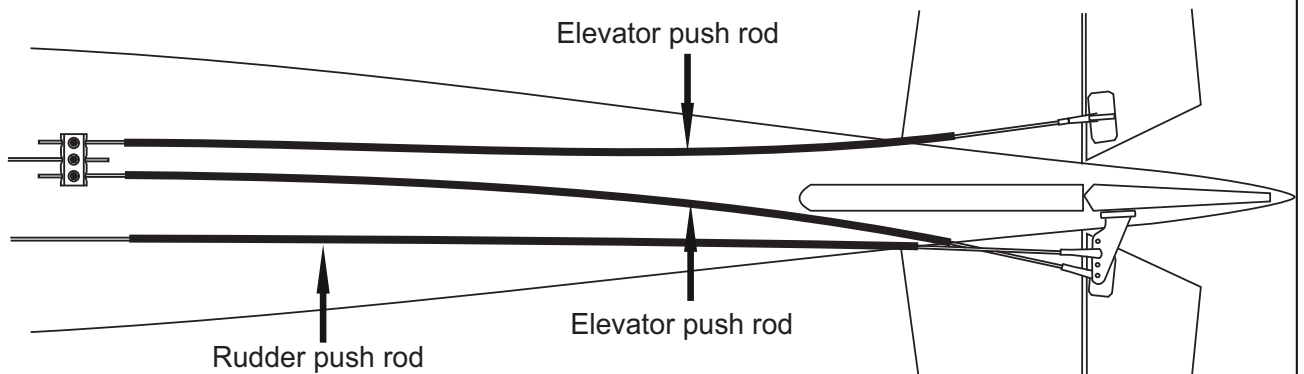
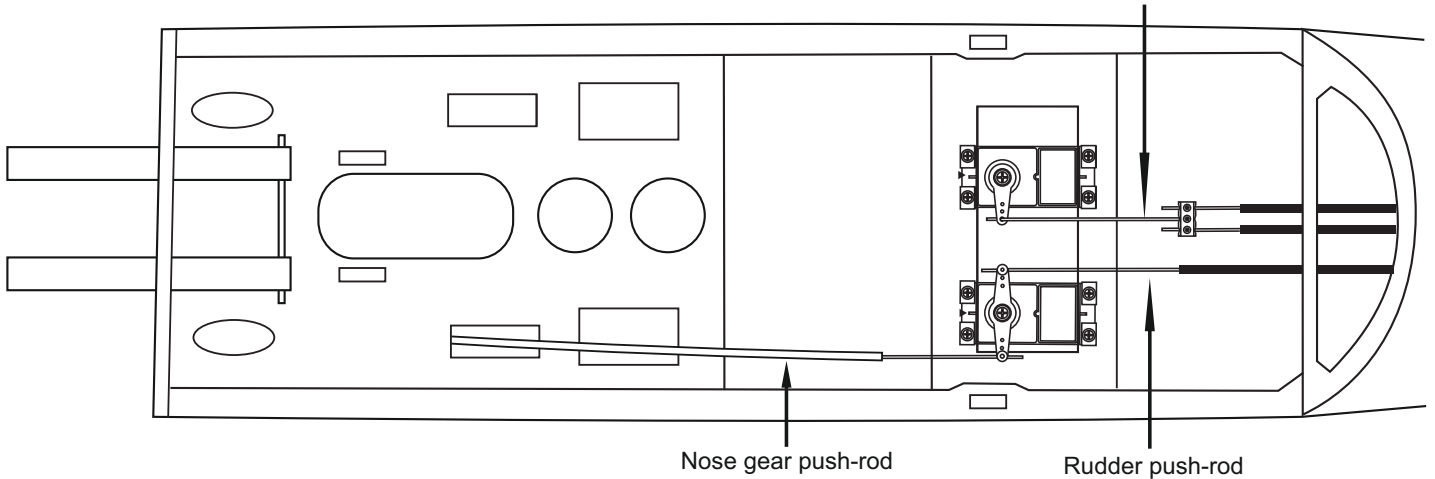
FUSELAGE - TOP VIEW



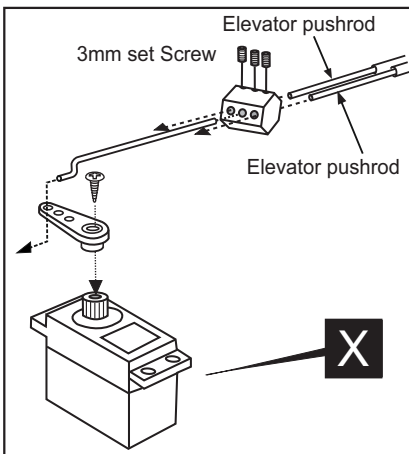
Shift the location of the fuel tank, battery pack, or Li-po battery as needed to obtain the specified CG.

20-Linkages

Elevator push-rod: 2x100mm with Z ben one end

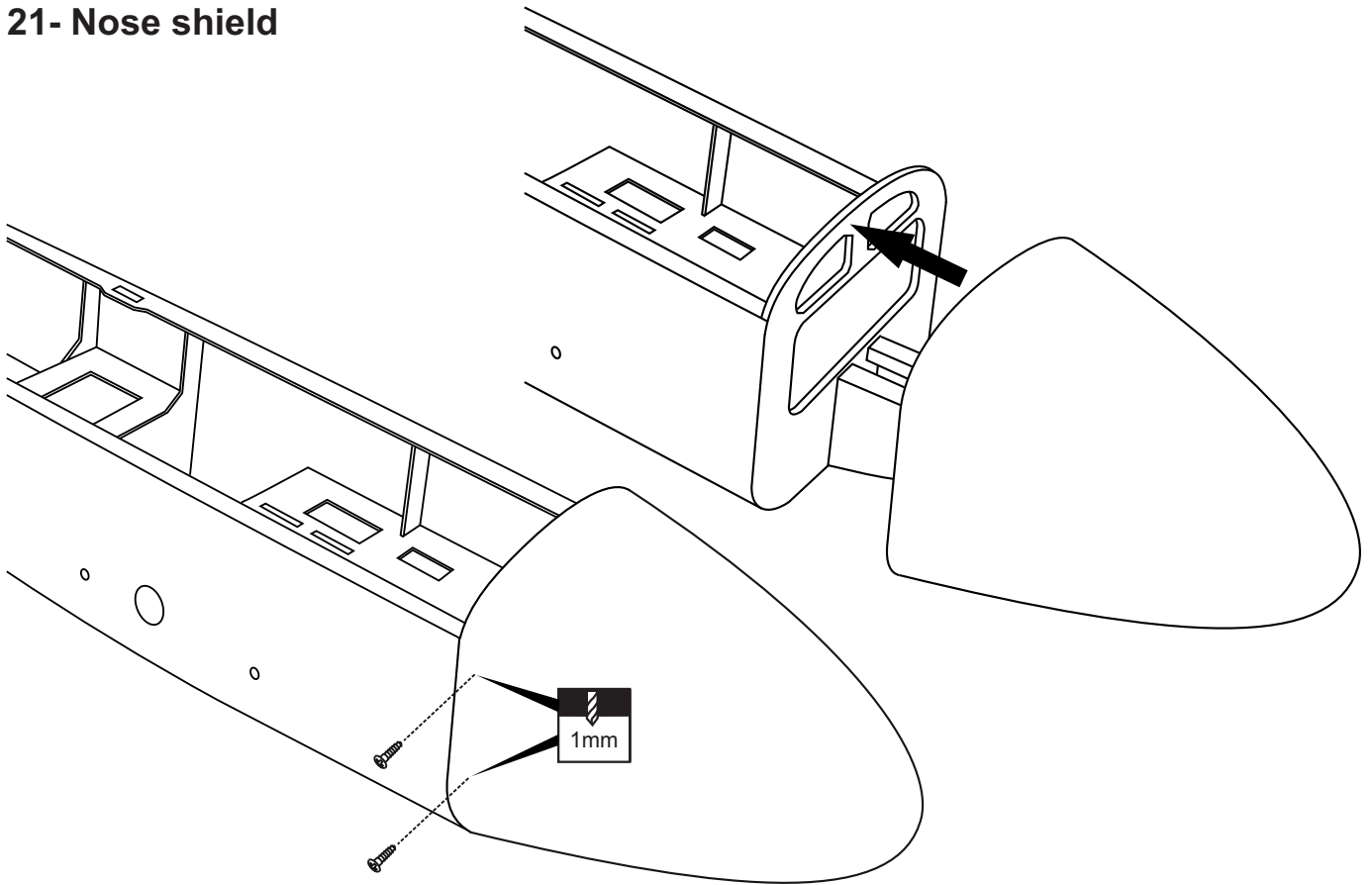


FUSELAGE - TOP VIEW



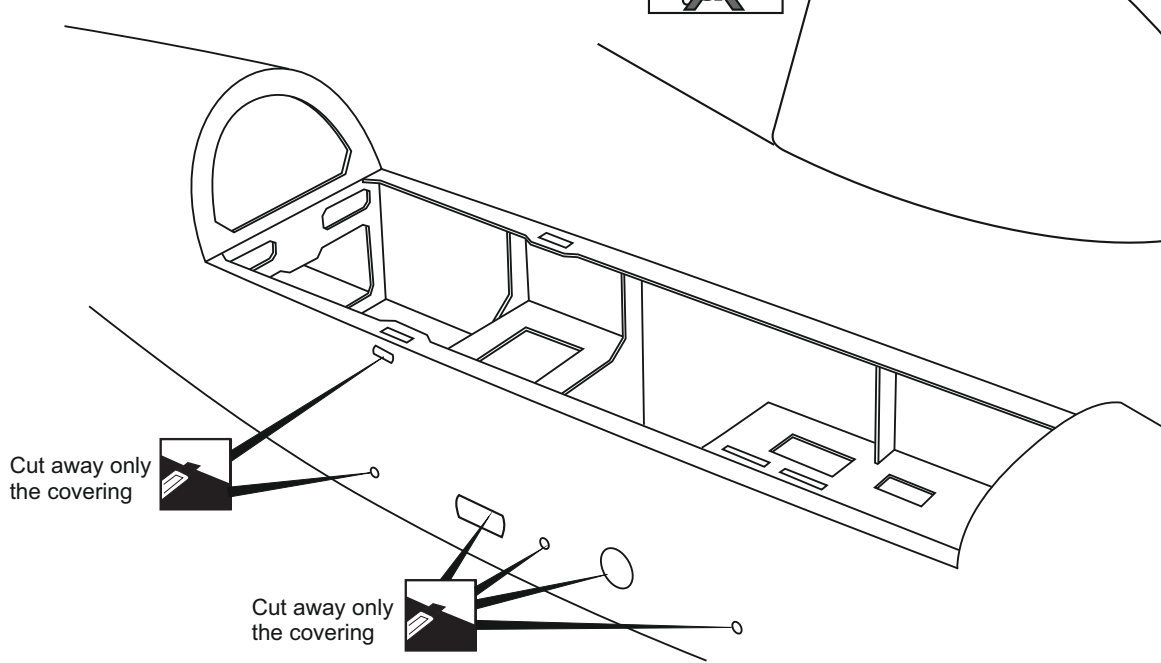
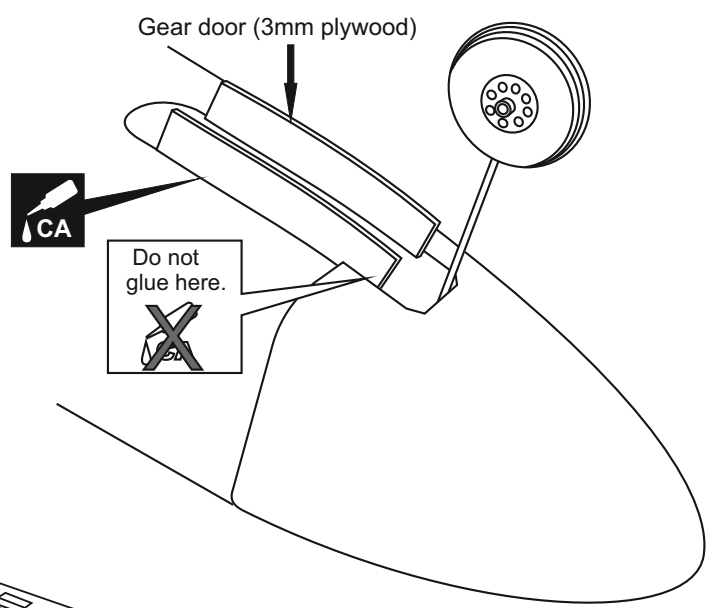
Connector	
1
3

21- Nose shield

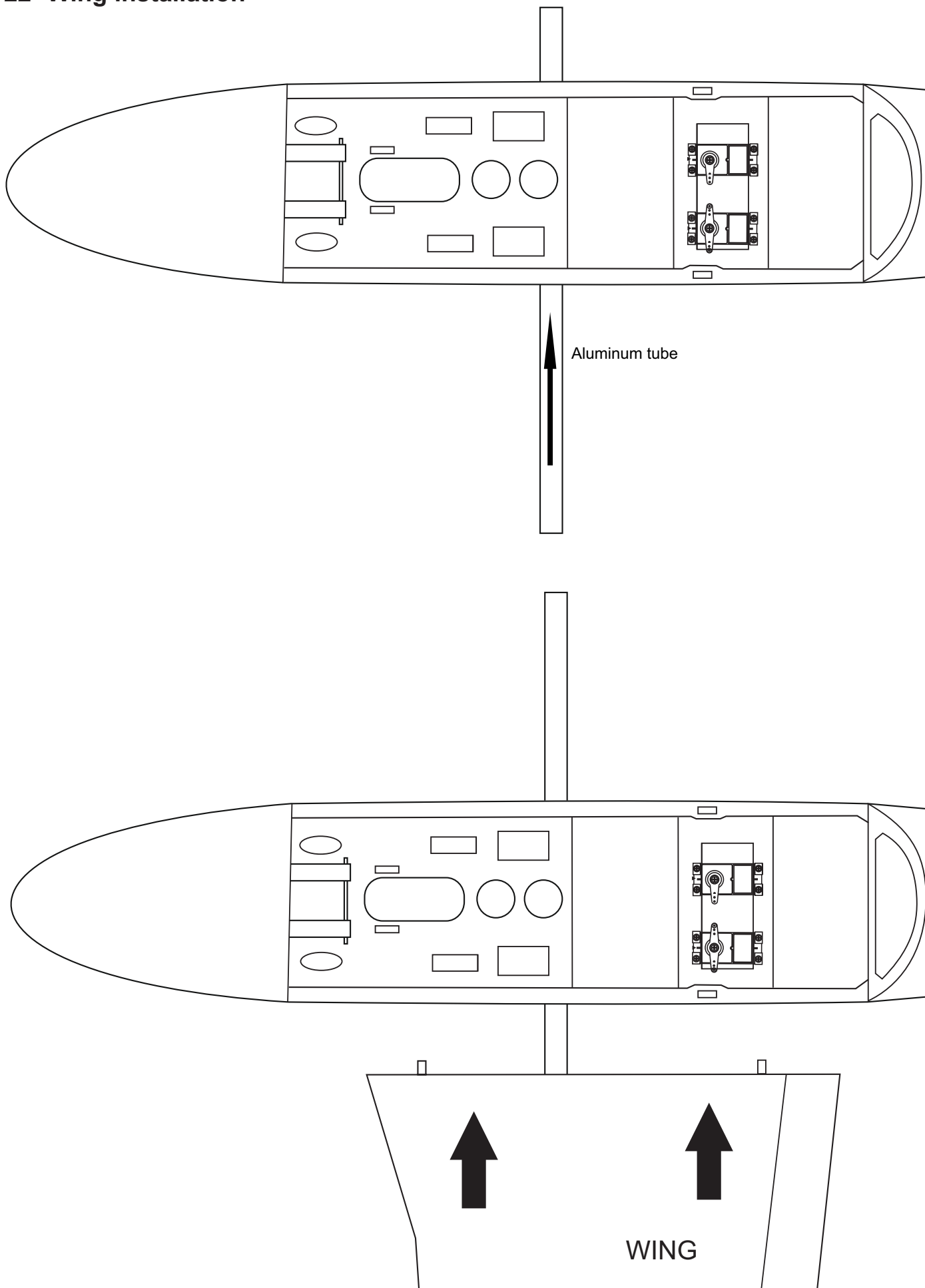


Nose Gear door installation



Note: Glue the Right and Left gear door on to the fuselage only. Do not glue them to the cowl if you want to remove the cowl out of the fuselage.



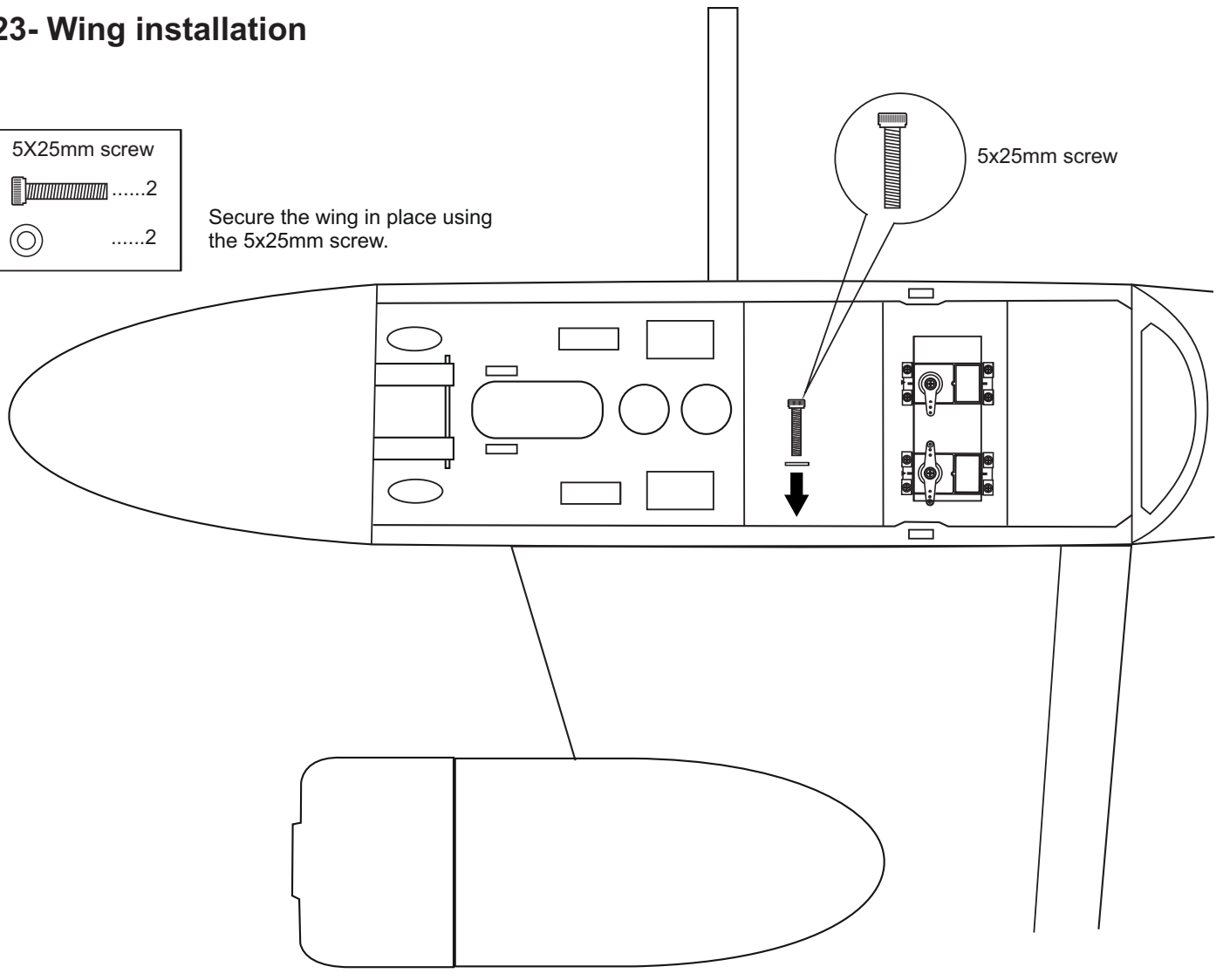
22- Wing installation




23- Wing installation

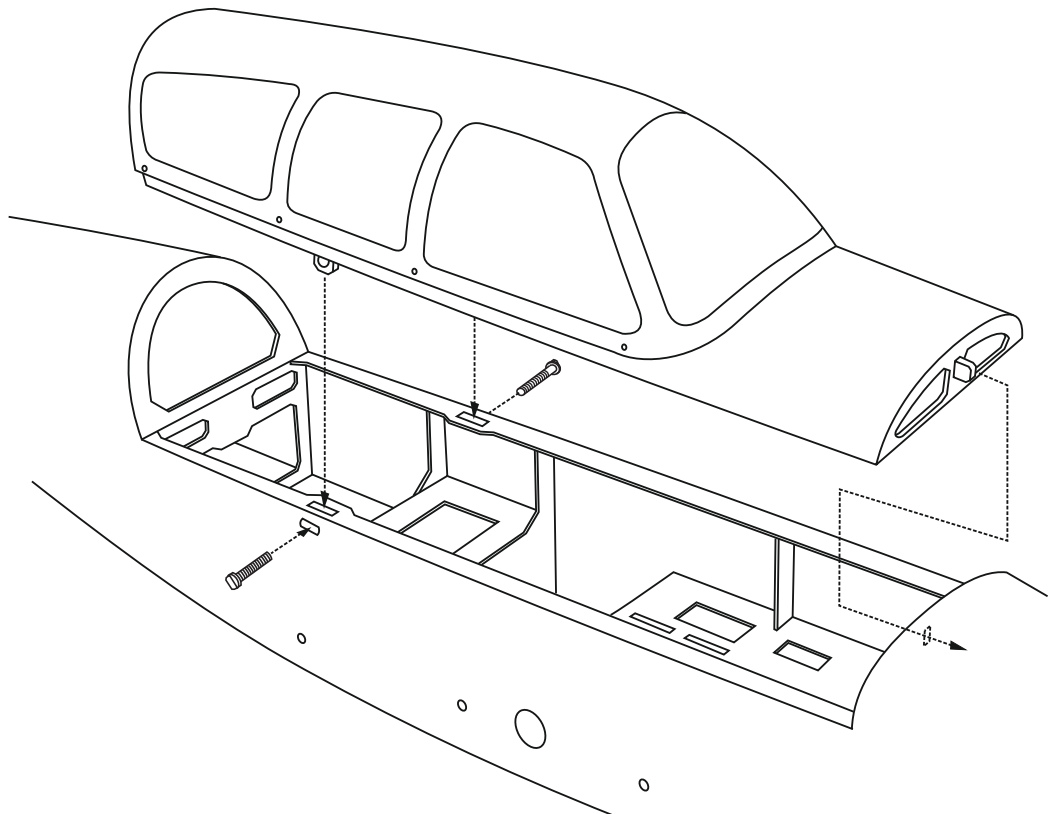
- 5X25mm screw
2
- 2

Secure the wing in place using the 5x25mm screw.

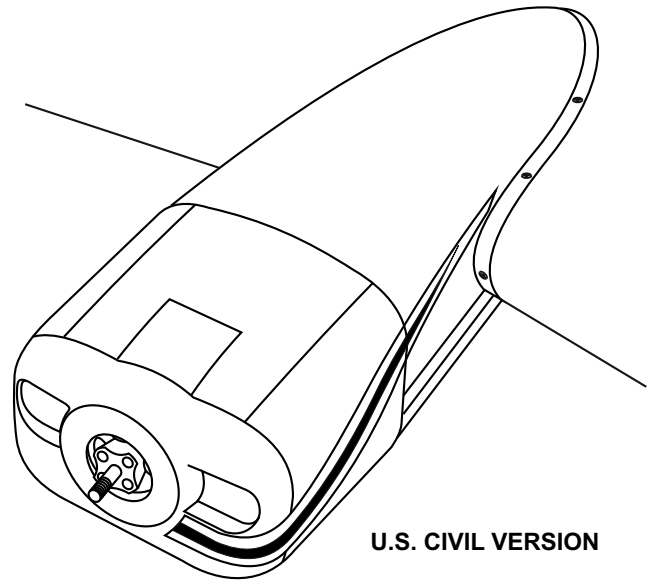
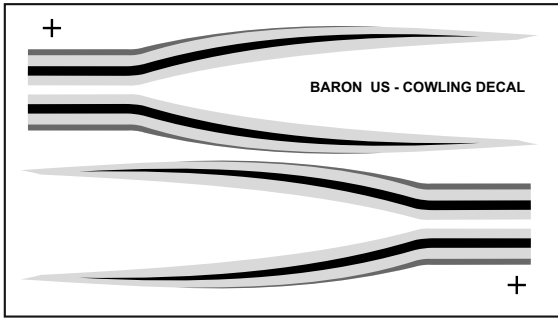


24- Canopy

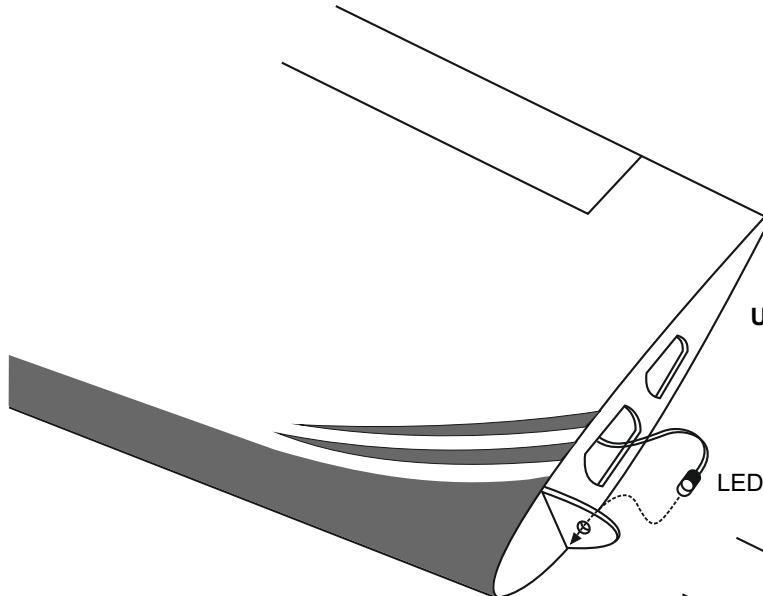
- 4x25mm plastic bolt
2




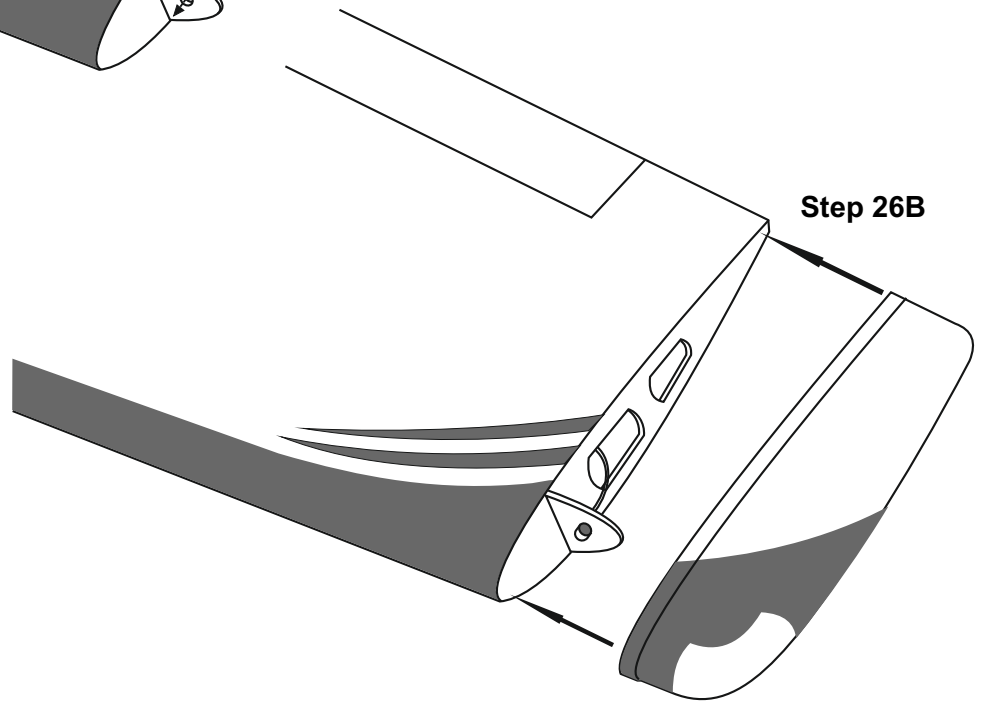
25- Decor



Note: Cut out the stickers and apply them in the proper area.
 Do not peel the backing paper off all at once.
 Peel off one corner of the backing and cut off with scissors.
 Arrange sticker on model and when satisfied adhere the corner without backing.
 Carefully peel back the rest of the backing while at the same time adhering the rest of the sticker.
 Try not to make air bubbles, if there are some, carefully puncture sticker (center of bubble) but not model surface with the tip of the knife or sharp pin and squeeze out the air.
 At curves stretch sticker and apply a little heat so that no creases occur.
 Cut off the excess that is produced.



LED Light 4-6v 

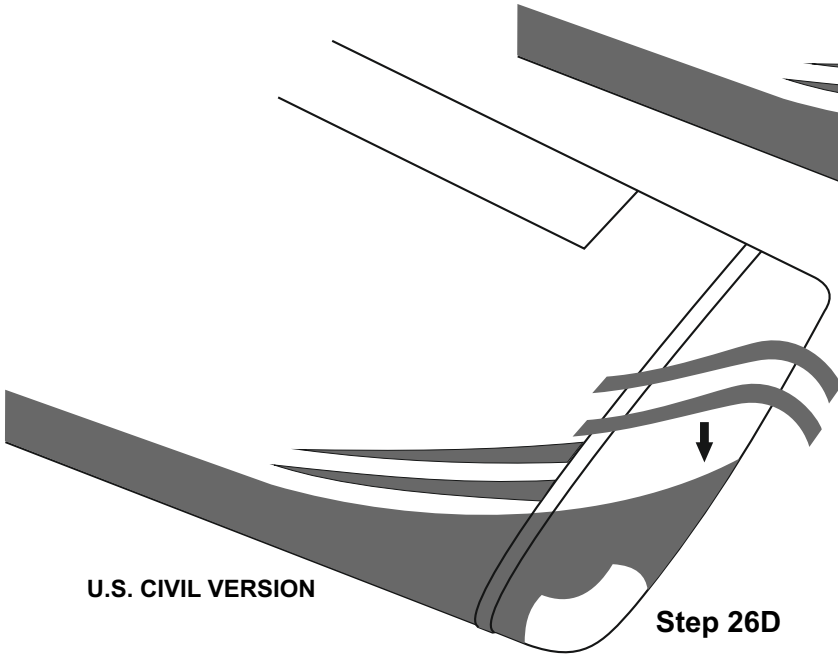


26- Decor

Glue the Thin CA
both sides.

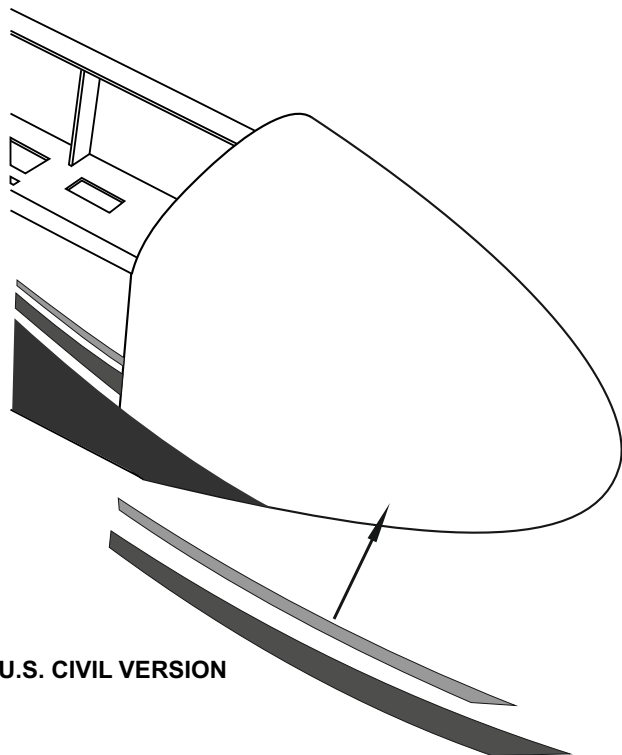
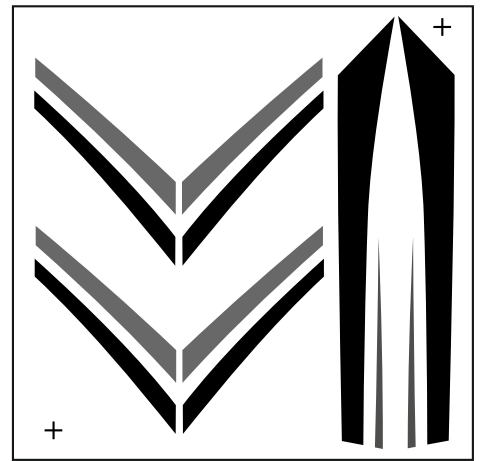


Step 26C

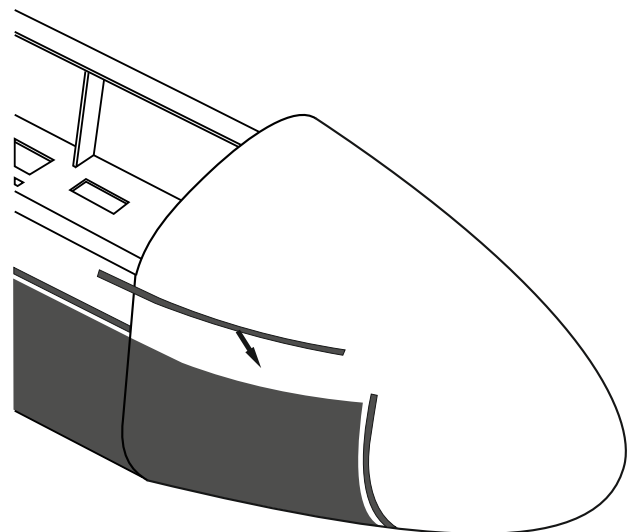


U.S. CIVIL VERSION

Step 26D

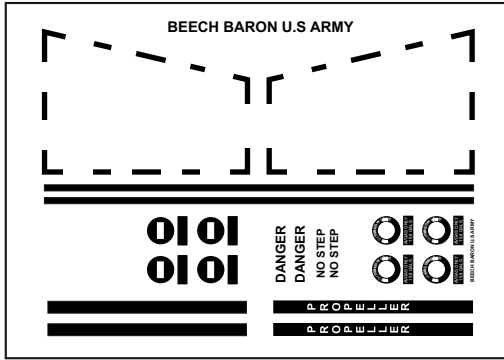
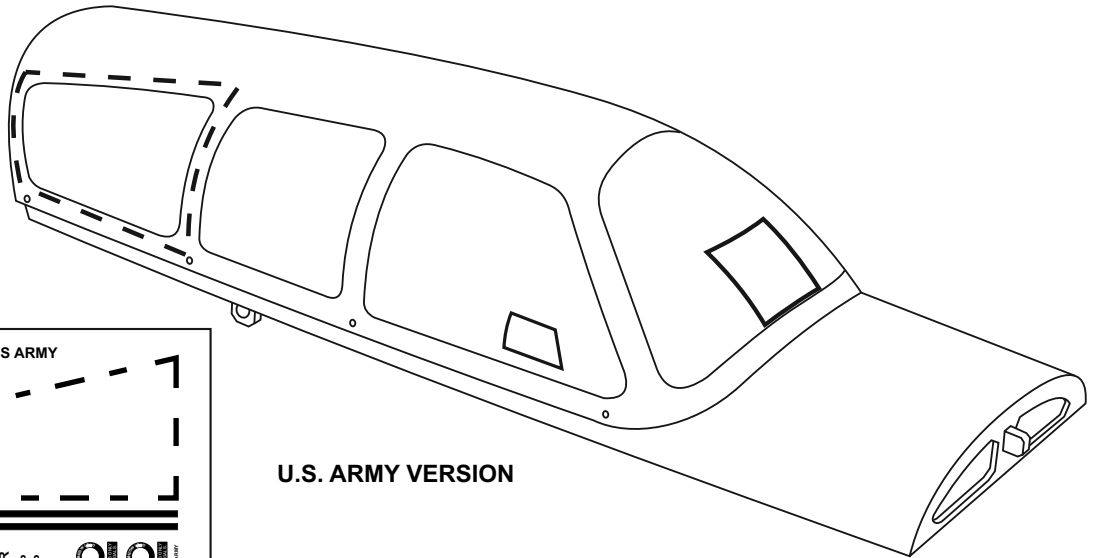


U.S. CIVIL VERSION



U.S. ARMY VERSION

27- Decor



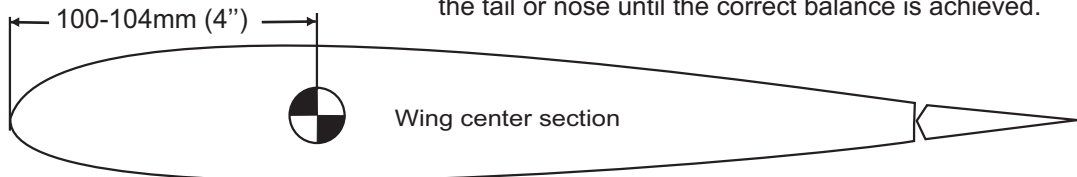
U.S. ARMY VERSION

You can view the Baron image on the VQ Models website to make it easier to past the decal for your model.

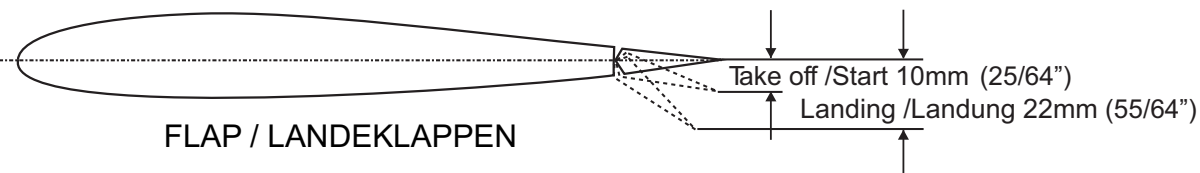
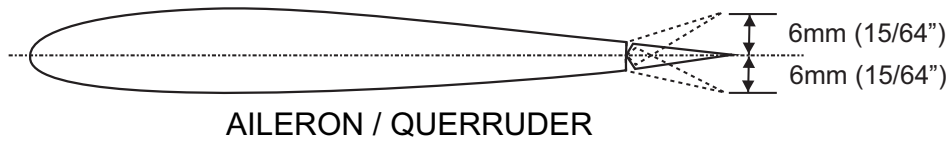
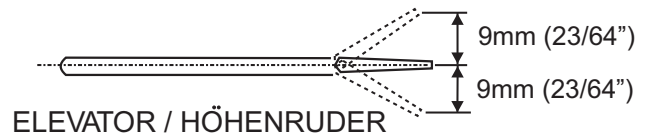
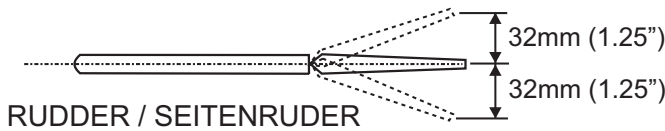
28- Balance

DO NOT try to fly an out-of-balance model !

Note: If necessary, move the battery pack or add weight to either the tail or nose until the correct balance is achieved.



29- Control Surface



IMPORTANT: Please do not clean your model with pure alcohol, only use liquid soap with water or use glass cleaner to clean on surface of your model to keep the colour not fade.