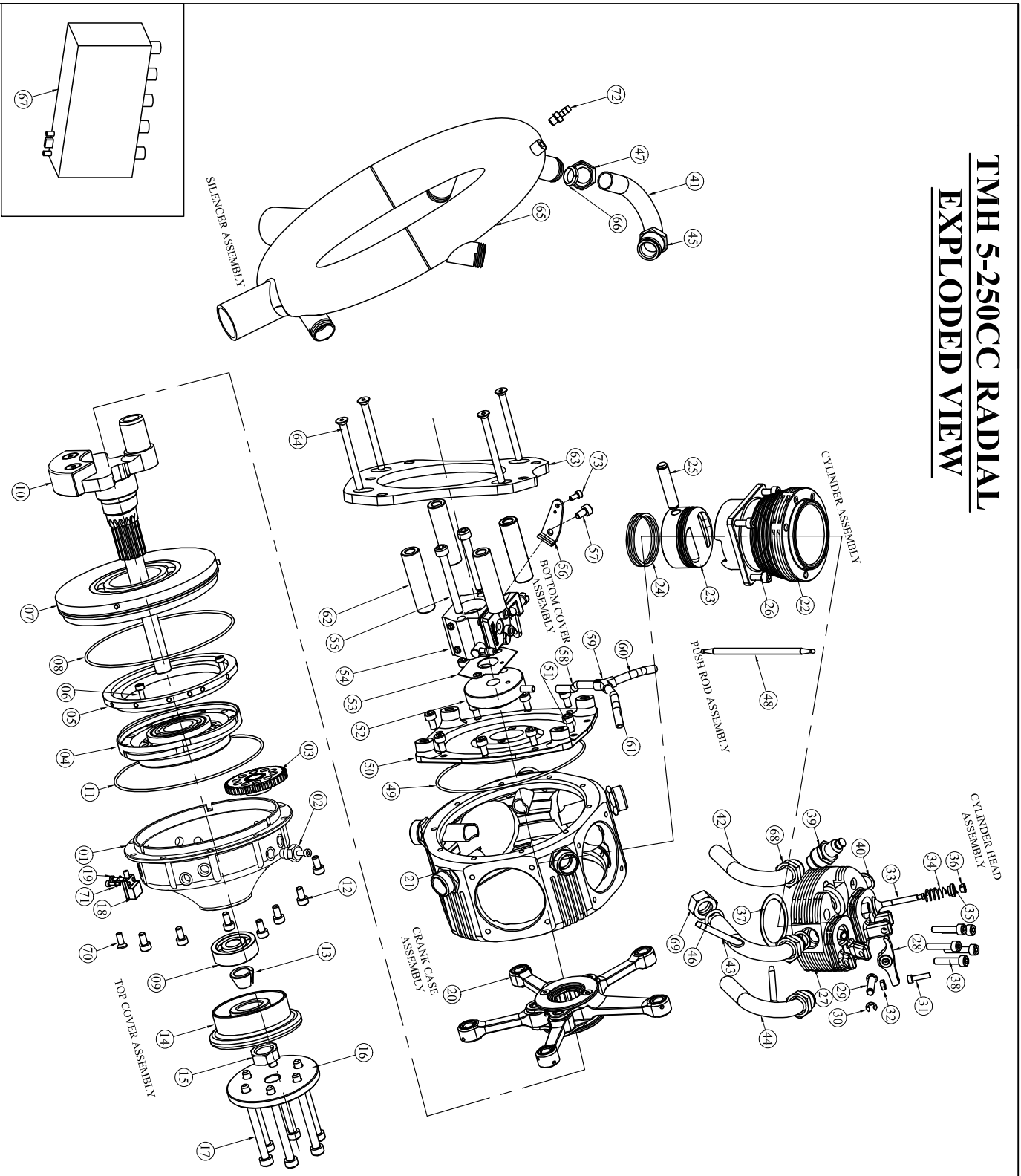


TMH 5-250CC RADIAL EXPLODED VIEW



S/NO	PART NO	PART NAME	REV	QTY
1	TMH52500210	TOP COVER WITH DOWEL (60)	0	1
2	TMH52500199	CAM PIN GUIDE ASSEMBLY	0	10
3	TMH525002169	INTERMEDIATE GEAR WITH BEARING	0	2
4	TMH525002170	CAM GEAR WITH BEARING	1	1
5	TMH525002150	MAGNET RING WITH MAGNET	1	1
6	SS650030100	SCREW MAGNET RING	0	3
7	TMH525002180	SEALING RING WITH BEARING	1	1
8	ORR201900015	O-RING SEALING RING	0	1
9	BER200120280	BEARING TOP COVER	0	1
10	TMH525002200	CRANK SHAFT ASSEMBLY	1	1
11	ORR201850015	O-RING TOP COVER	0	1
12	SS650040100	TOP COVER SCREW	0	9
13	TMH525002110	PROPELLER LOCK CONE	1	1
14	TMH525000990	PROPELLER DRIVE	0	1
15	TMH525002130	PROPELLER LOCK NUT	0	1
16	TMH525002100	PROPELLER WASHER	0	1
17	SS650050550	PROPELLER LOCK SCREW	0	6
18	HSP100000000	HALL SENSOR	0	1
19	SS650020060	SENSOR LOCK SCREW	0	2
20	TMH525004100	CONNECTING ROD ASSEMBLY	2	1
21	UN525004020	CRANK CASE WITH MAINROD	0	1
22	UN525000300	CRANK CASE WITH MAINROD	1	5
23	TMH525000300	CYLINDER WITH SLEEVE	0	5
24	TMH525006600	PISTON	0	10
25	TMH525006600	PISTON PIN ASSEMBLY	0	10
26	SS650040100	CYLINDER HEAD LOCK SCREW	0	20
27	UN525000100	CYLINDER HEAD WITH VALVE GUIDE	0	5
28	TMH525001210	ROCKER ARM WITH BUSH	2	10
29	TMH525001080	ROCKER ARM PIN	0	10
30	ER600302006	CIRCLIP ROCKER ARM	0	20
31	TMH525001090	ROCKER ARM SCREW	0	10
32	N1130000030	ROCKER ARM NUT	0	10
33	UN525000100	VALVE	0	10
34	UN518000420	VALVE SPRING	0	10
35	TMH525001050	SPRING SPRINGER	1	10
36	TMH525001200	SPRING STAINER LOCK BUSH	0	10
37	TMH525001100	CYLINDER HEAD GASKET	0	5
38	SS650040200	CYLINDER HEAD LOCK SCREW	0	25
39	SPR201000000	SPARK PLUG	0	5
40	TMH525001150	PIPE WASHER	1	10
41	TMH525001120	EXHAUST PIPE	0	5
42	UN525000100	INLET PIPE	0	3
43	UN525000100	INLET PIPE WITH VACCUUM PIPE-1	0	1
44	UN525001130	LOCK NUT (IN & EXHAUST)	0	5
45	TMH525001130	TUPELON BUSH INLET PIPE	1	5
46	UN525000500	PUSH ROD ASSEMBLY	0	5
47	TMH525001140	LOCK NUT (IN)	0	1
48	UN571000500	O-RING BOTTOM COVER	0	1
49	ORR201850015	O-RING BOTTOM COVER	0	1
50	TMH525006010	BOTTOM COVER	0	1
51	SS650040100	BOTTOM COVER LOCK SCREW	0	10
52	TMH525006100	ADAPTER PIPE CARBURETOR	0	1
53	GSS100000000	CARBURETOR GASKET	0	1
54	GSS100000000	CARBURETOR	0	1
55	SS650050450	CARBURETOR LOCK SCREW	0	2
56	TMH525006100	THROTTLE LEVER	0	1
57	SS650050450	THROTTLE LEVER LOCK SCREW	0	1
58	P1110000040	VACCUUM TUBE	0	1
59	P1110000040	V-4 CONNECTOR	0	1
60	P1110000040	VACCUUM TUBE-4	0	1
61	P1110000040	VACCUUM TUBE-4	0	1
62	TMH525006030	SPACER	1	4
63	TMH525006030	BASE PLATE	2	1
64	SC110000700	BASE PLATE LOCK SCREW	0	4
65	TMH525007010	SILENCER LOCK CONE	0	1
66	ICR200000003	SILENCER RING	0	5
67	ICR200000003	IGNITION COIL	0	1
68	EVO276004100	LOCK NUT (IN & EXHAUST)	0	3
69	SC850040080	LOCK NUT (IN)	0	1
70	UN518000130	TOP COVER SCREW	0	1
71	UN518000130	SENSOR PLATE	0	1
72	TMH525007500	PRESSURE FEED PIPE	0	1
73	SS650030080	THROTTLE LINK SCREW	0	1

DRAWING NO: TMHRS250-12
DESCRIPTION: TMH 5-250cc Radial Engine (PETROL)