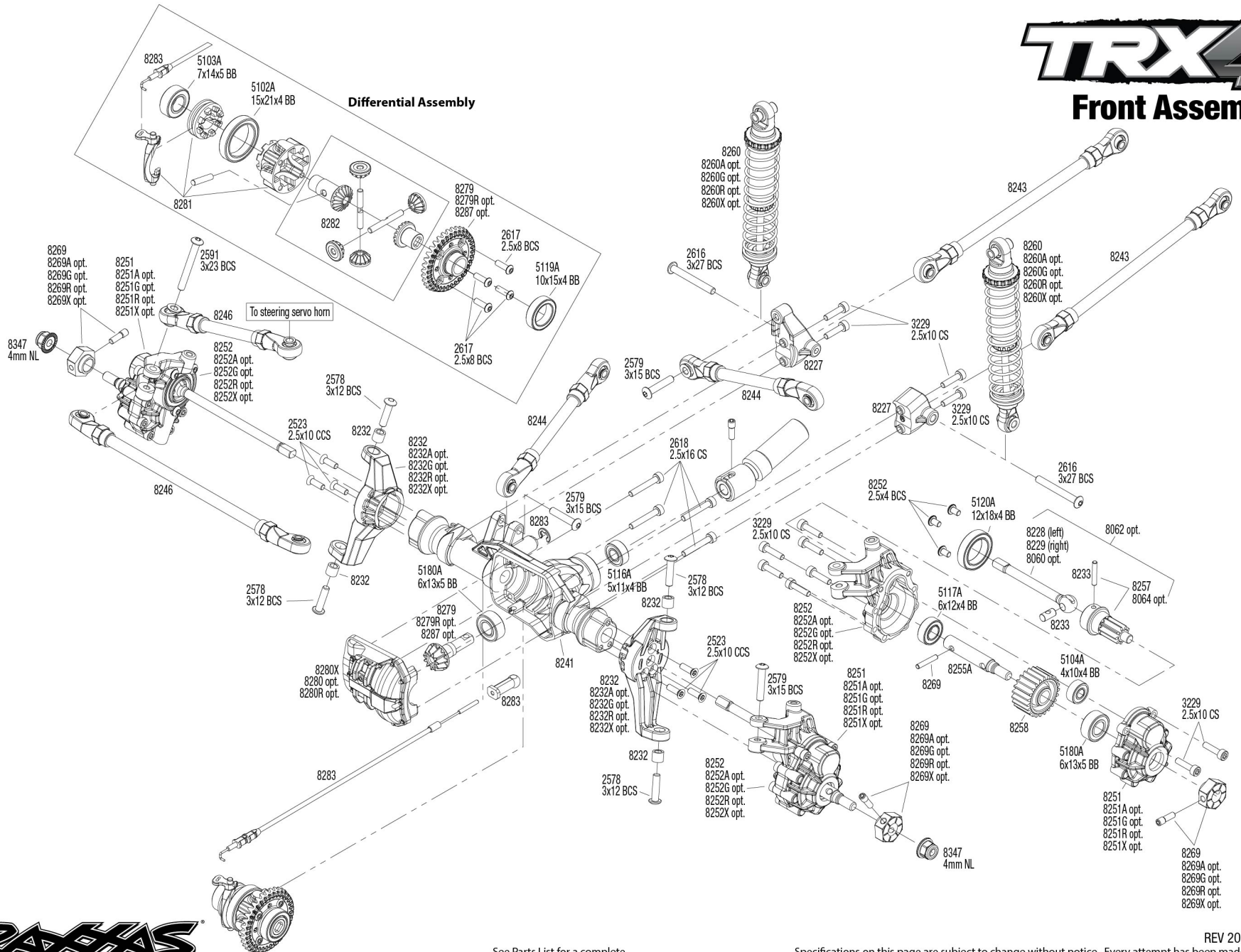


TRX4[®]

Front Assembly

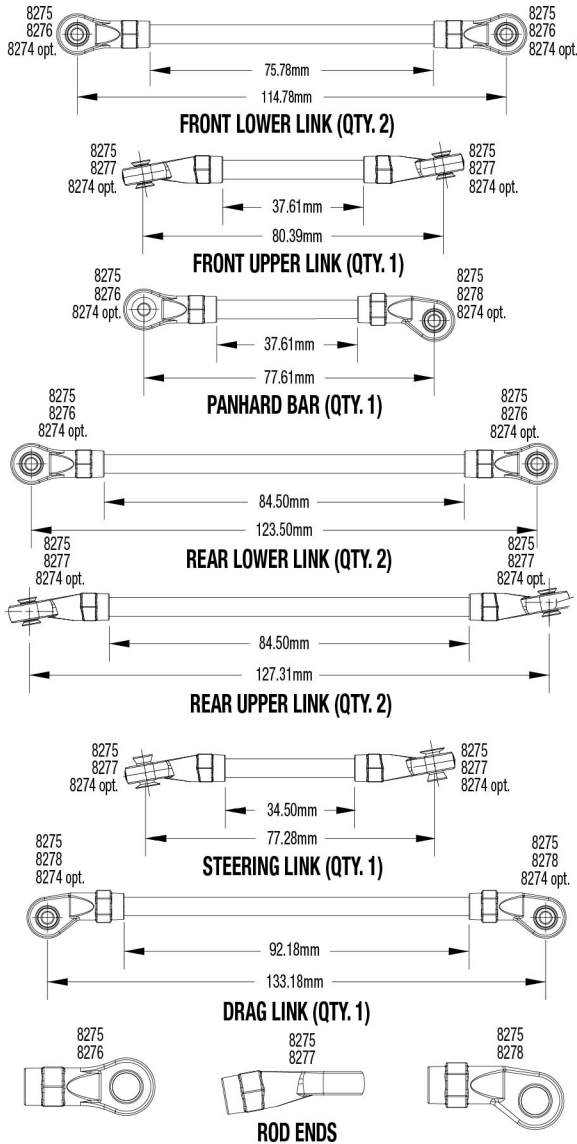


See Parts List for a complete listing of optional accessories.

Specifications on this page are subject to change without notice. Every attempt has been made to ensure the accuracy of this drawing; however, Traxxas cannot be held responsible for typographical or other errors.

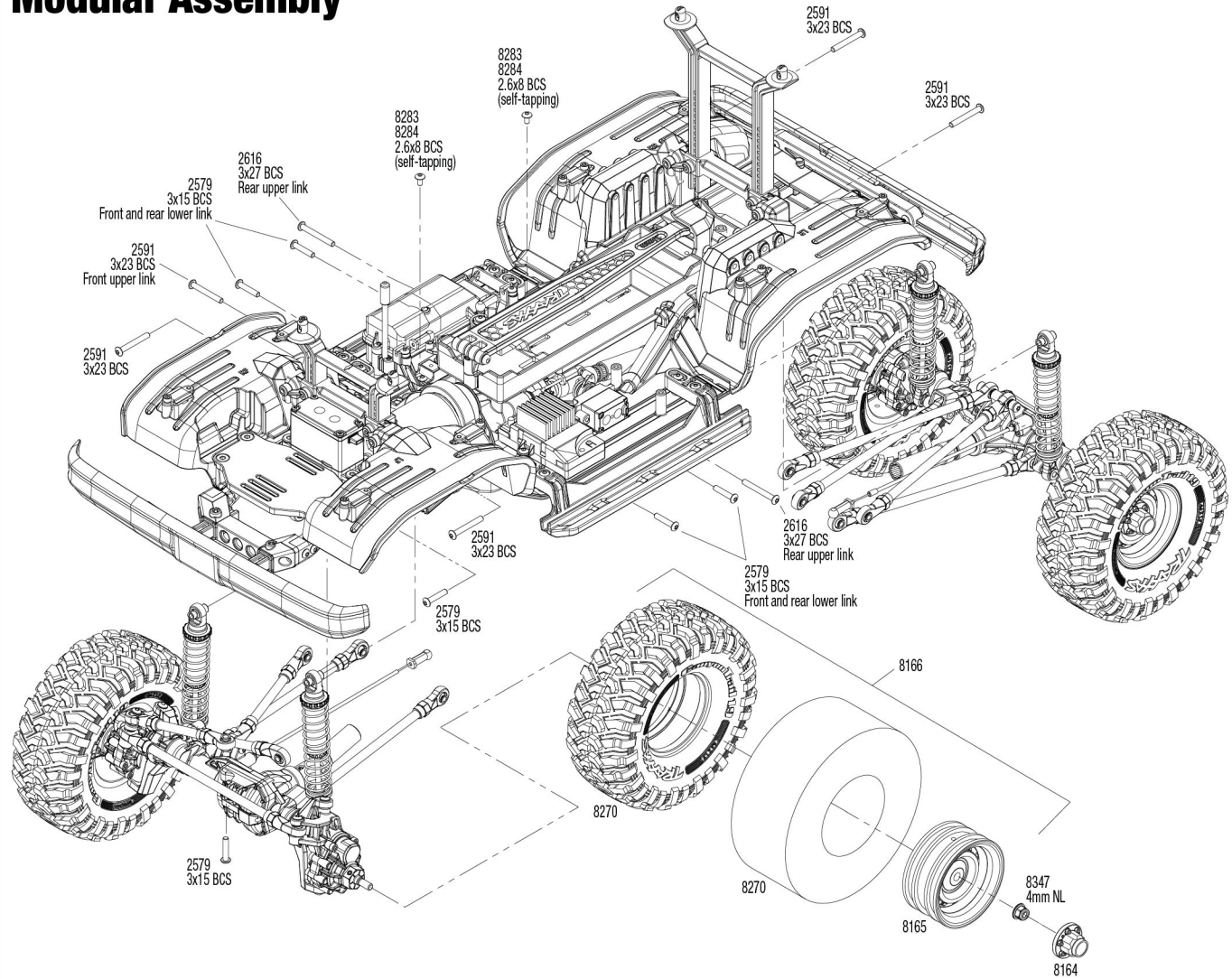
REV 200206-R05

Link Dimensions



For standard hollow ball replacement, use part #5349.

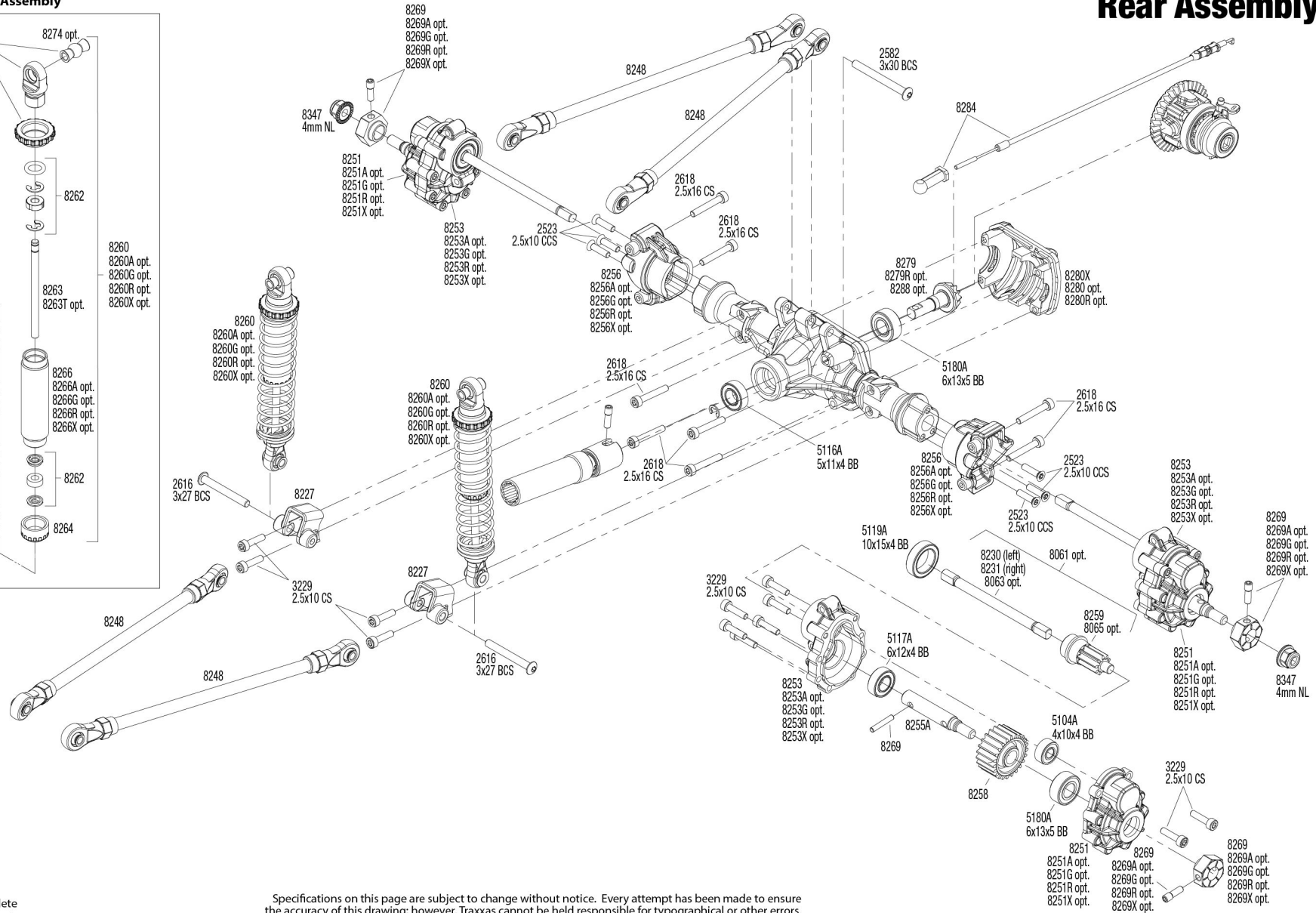
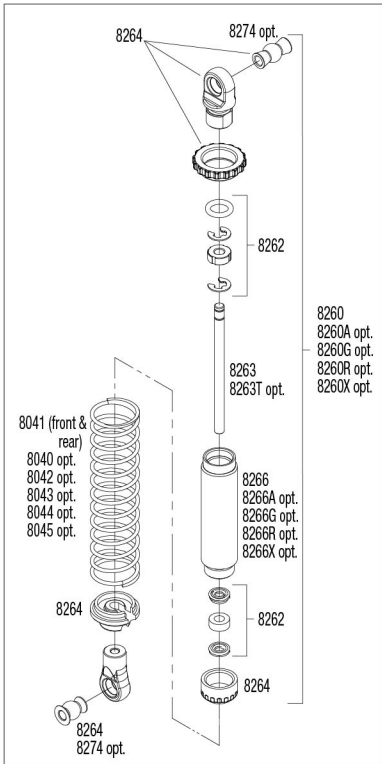
Modular Assembly

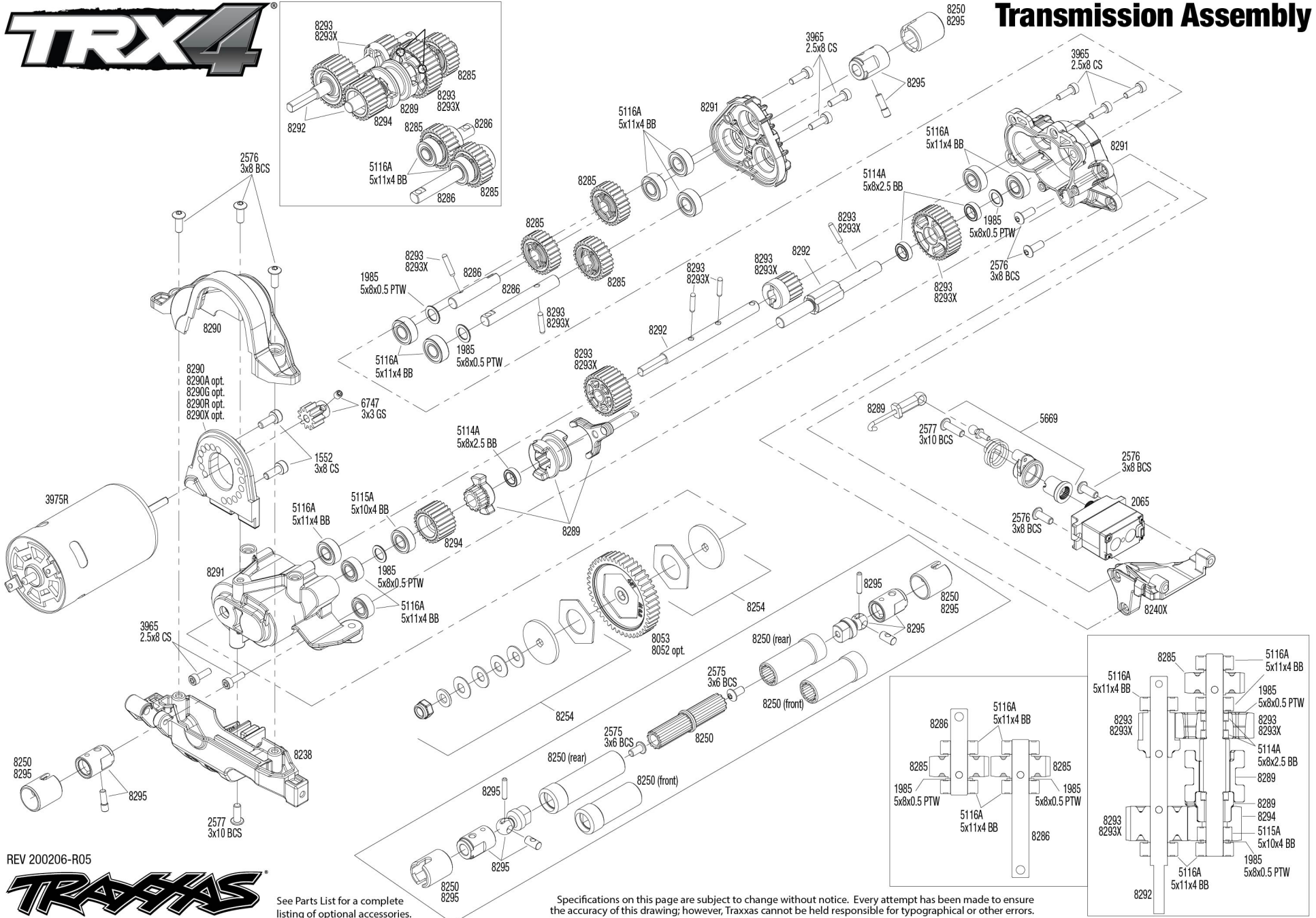


See Parts List for a complete listing of optional accessories.

REV 200206-R05
Specifications on this page are subject to change without notice. Every attempt has been made to ensure the accuracy of this drawing; however, Traxxas cannot be held responsible for typographical or other errors.

Shock Assembly





REV 200206-R05

See Parts List for a complete listing of optional accessories.

Specifications on this page are subject to change without notice. Every attempt has been made to ensure the accuracy of this drawing; however, Traxxas cannot be held responsible for typographical or other errors.