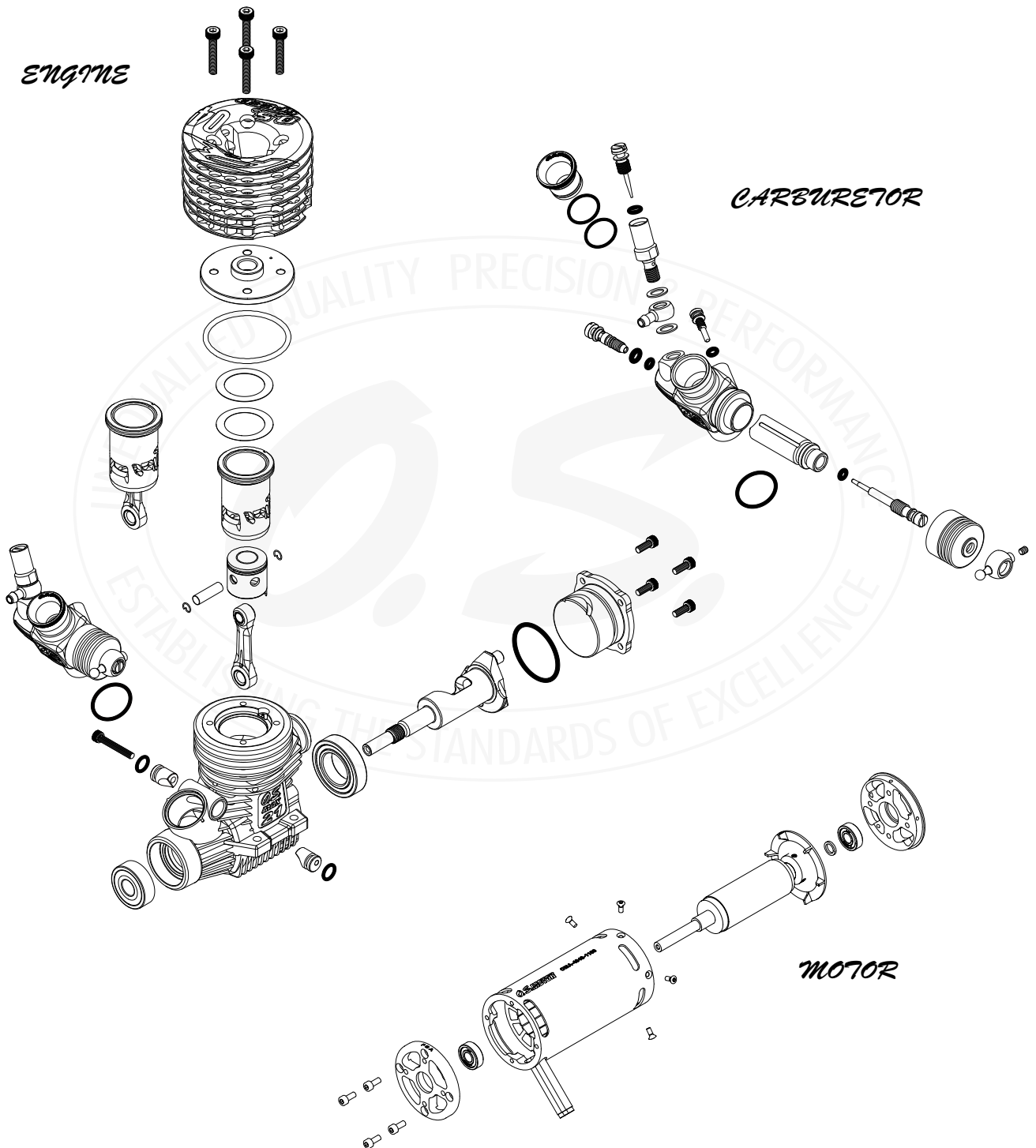
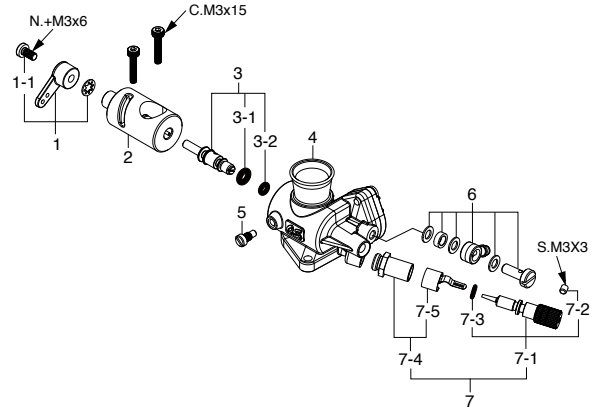
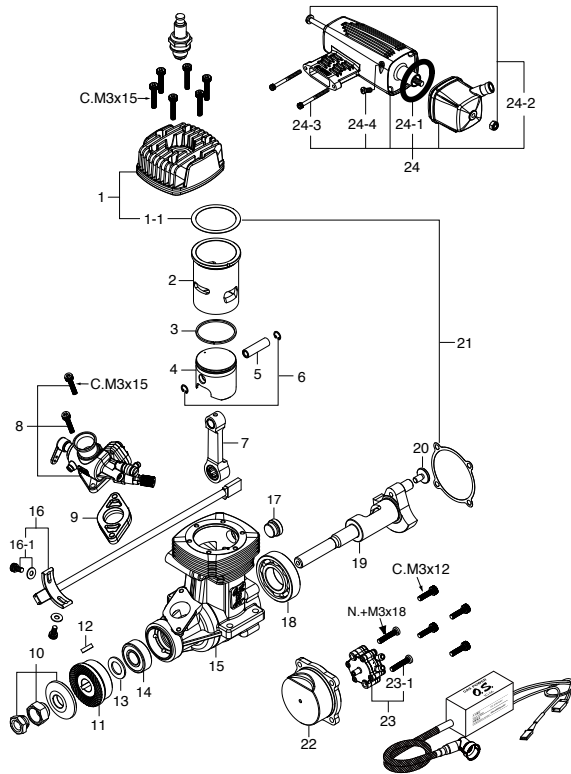


2019 EXPLODED VIEWS WITH CODE NUMBERS LIST





* Type of screw

C...Cap Screw B...Binding Screw M...Oval Fillister-Head Screw

F...Flat Head Screw T...Tapping Screw N...Round Head Screw S...Set Screw

CAP SCREW SETS (10pcs./sets)

| Code No. | Size | Pcs. used in an engine |
|----------|-------|---|
| 79871140 | M3x12 | Cover Plate Retaining Screw (4pcs.) |
| 79871150 | M3x15 | Cylinder Head Retaining Screw (6pcs.) Carburetor Retaining Screw (2pcs.) |

| No. | Code No. | Description |
|------|----------|---|
| 1 | 28164000 | Cylinder Head GT15 |
| 1-1 | 29061406 | Head Gasket 91HZ |
| 2 | 29503100 | Cylinder Liner 91FX |
| 3 | 28153400 | Piston Ring GT15HZ |
| 4 | 28163200 | Piston GT15 |
| 5 | 26606008 | Piston Pin 91HZ,61SX-H,61FSR |
| 6 | 28117010 | Piston Pin Retainer GT15 |
| 7 | 28155000 | Connecting Rod GT15HZ |
| 8 | 28181010 | Carburetor Complete (Type 61H) GT15 |
| 9 | 28169460 | Thermo Insulator GT15 |
| 10 | 45910100 | Lock Nut Set FS70S2,91S,91FX |
| 11 | 28168000 | Drive Hub GT15 |
| 12 | 29008219 | Woodruff Key 61,90,91 |
| 13 | 46120000 | Thrust Washer 91FX,SX-H,SZ,FT160,FF |
| 14 | 26731002 | Ball Bearing (F) 40-61,70S,91S |
| 15 | 28161000 | Crankcase GT15 |
| 16 | 74002320 | Rotation Sensor GT33,22,60,GF30 |
| 16-1 | 74002321 | Rotation Sensor Retaining Screw Set (2pcs.) GT33,22,60 |
| 17 | 28151300 | Crankcase Plug GT15HZ |
| 18 | 29030001 | Ball Bearing (R) 61-91F,FX,FR |
| 19 | 28162000 | Crankshaft GT15 |
| 20 | 28152100 | Crank Pin Stop Screw GT22,GF30 |
| 21 | 29514000 | Gasket Set 91FX,91SX-H |
| 22 | 28167000 | Cover Plate GT15 |
| 23 | 72508100 | Pump Unit (PD-08) FS200SP,GF30 |
| 23-1 | 29067130 | Pan Head Screw (N.+M3x18 10pcs.) |
| 24 | 27425011 | E-4040 Silencer 75,95AX,GT15 |
| 24-1 | 29122540 | "O" Ring (2pcs.) E-5020 |
| 24-2 | 27425300 | Assembly Screw 75AX |
| 24-3 | 26625210 | Silencer Retaining Screw (C.M4x40 2pcs.) E-4020 |
| 24-4 | 23081706 | Carburetor Retaining Screw (N.+M3.5x5 2pcs.) 25-46LA,49PI |
| | 71669010 | Ignition Module (IG-06) |
| | 74002710 | Spark Plug CM-6 (Rcexl) GT15,22,33,55,60,GF40,GT15HZ,600 |

| No. | Code No. | Description |
|-----|----------|---|
| 1 | 27881400 | Throttle Lever Assembly 70N,C14,60F,70D |
| 1-1 | 22081313 | Throttle Lever Retaining Screw 1A-3A |
| 2 | 28181210 | Carburetor Rotor (61H) GT15 |
| 3 | 28181600 | Mixture Control Valve Assembly (61H) |
| 3-1 | 28181920 | "O" Ring (L) (2pcs.) |
| 3-2 | 28181910 | "O" Ring (S) (2pcs.) |
| 4 | 28181110 | Carburetor Body (61H) GT15 |
| 5 | 45581820 | Rotor Guide Screw 20C,60MC,70D |
| 6 | 28181950 | Universal Nipple No.17 |
| 7 | 28181900 | Needle Valve Assembly (61H) 70T |
| 7-1 | 28181970 | Needle Assembly (61H) 70T |
| 7-2 | 26381501 | Set Screw |
| 7-3 | 28181910 | "O" Ring (2pcs.) |
| 7-4 | 27381940 | Needle-valve Holder Assembly 20C,60U,70D,7H |
| 7-5 | 26711305 | Ratchet Spring No.4 |