

REV 190304-R06

Specifications on this page are subject to change without notice. Every attempt has been made to ensure the accuracy of this drawing; however, Traxxas cannot be held responsible for typographical or other errors.

See Parts List for a complete listing of optional accessories.

SUMMIT

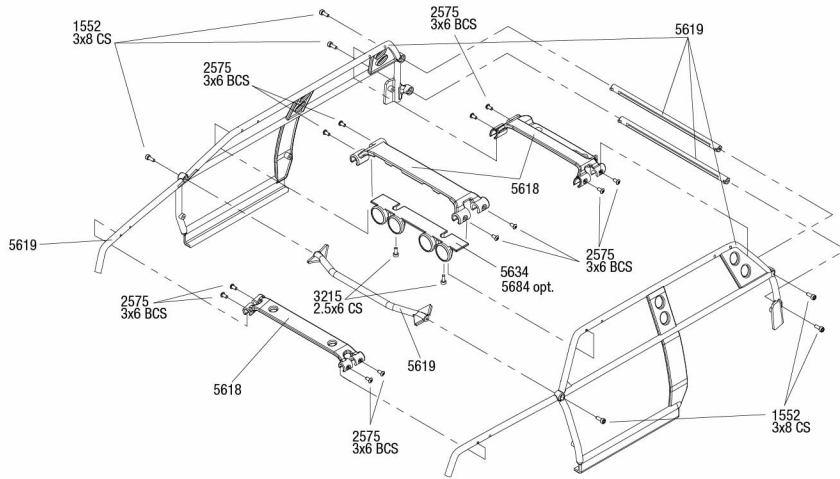
Chassis Assembly

SUMMIT

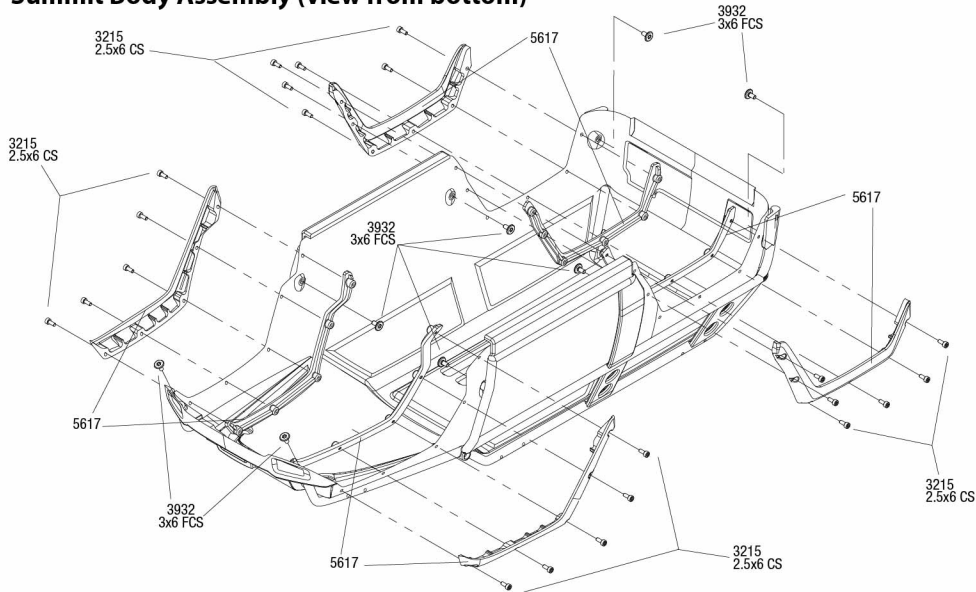
TRAXXAS

Driveshaft Assembly

Exocage Assembly

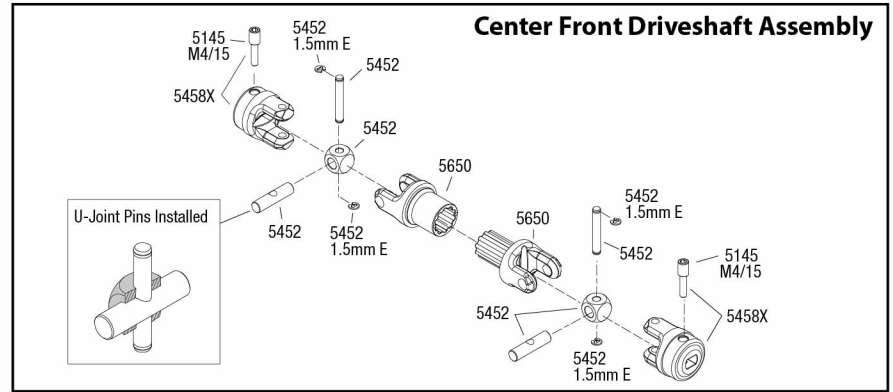


Summit Body Assembly (view from bottom)

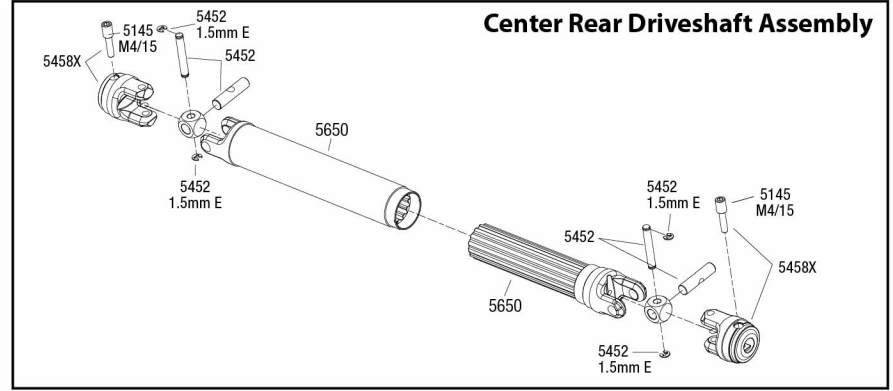


Every attempt has been made to ensure the accuracy of this drawing; however, Traxxas cannot be held responsible for typographical or other errors. See Parts List for a complete listing of optional accessories.

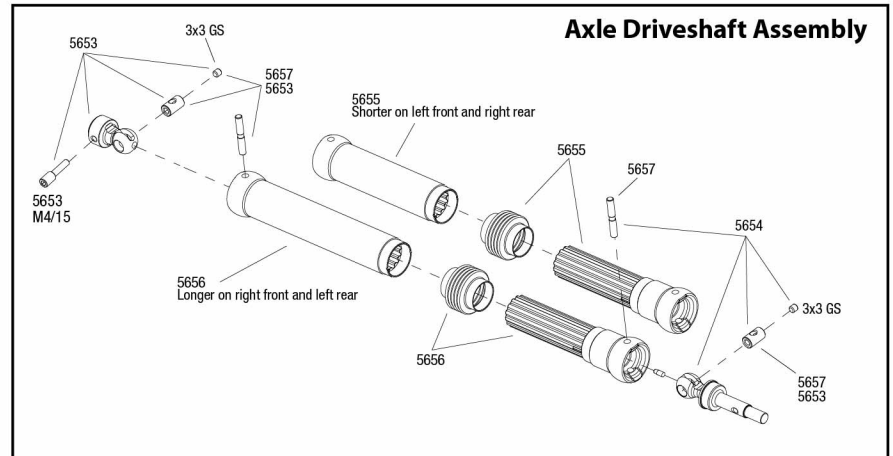
Center Front Driveshaft Assembly



Center Rear Driveshaft Assembly



Axle Driveshaft Assembly

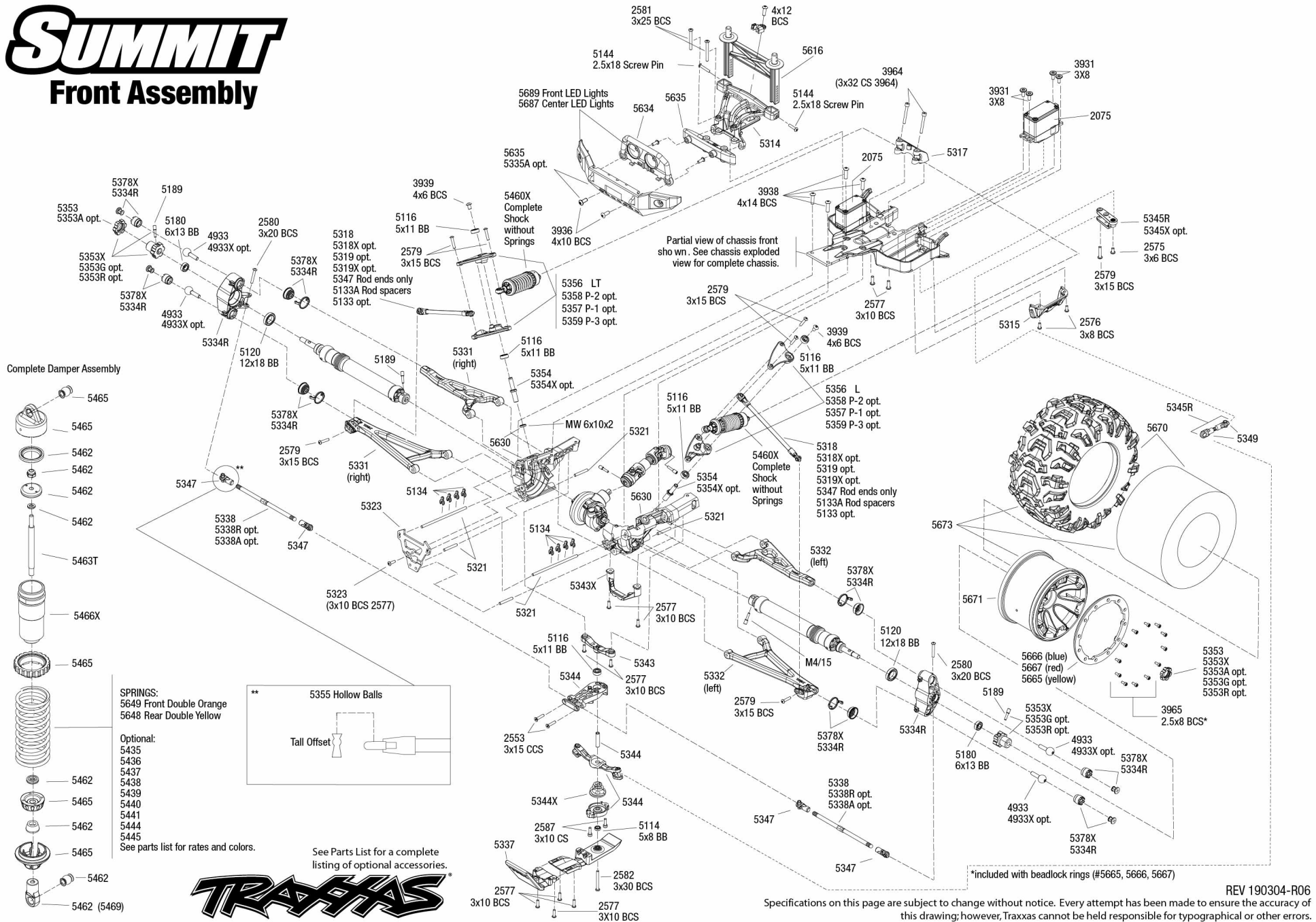


Specifications on this page are subject to change without notice.

REV 190304-R06

SUMMIT

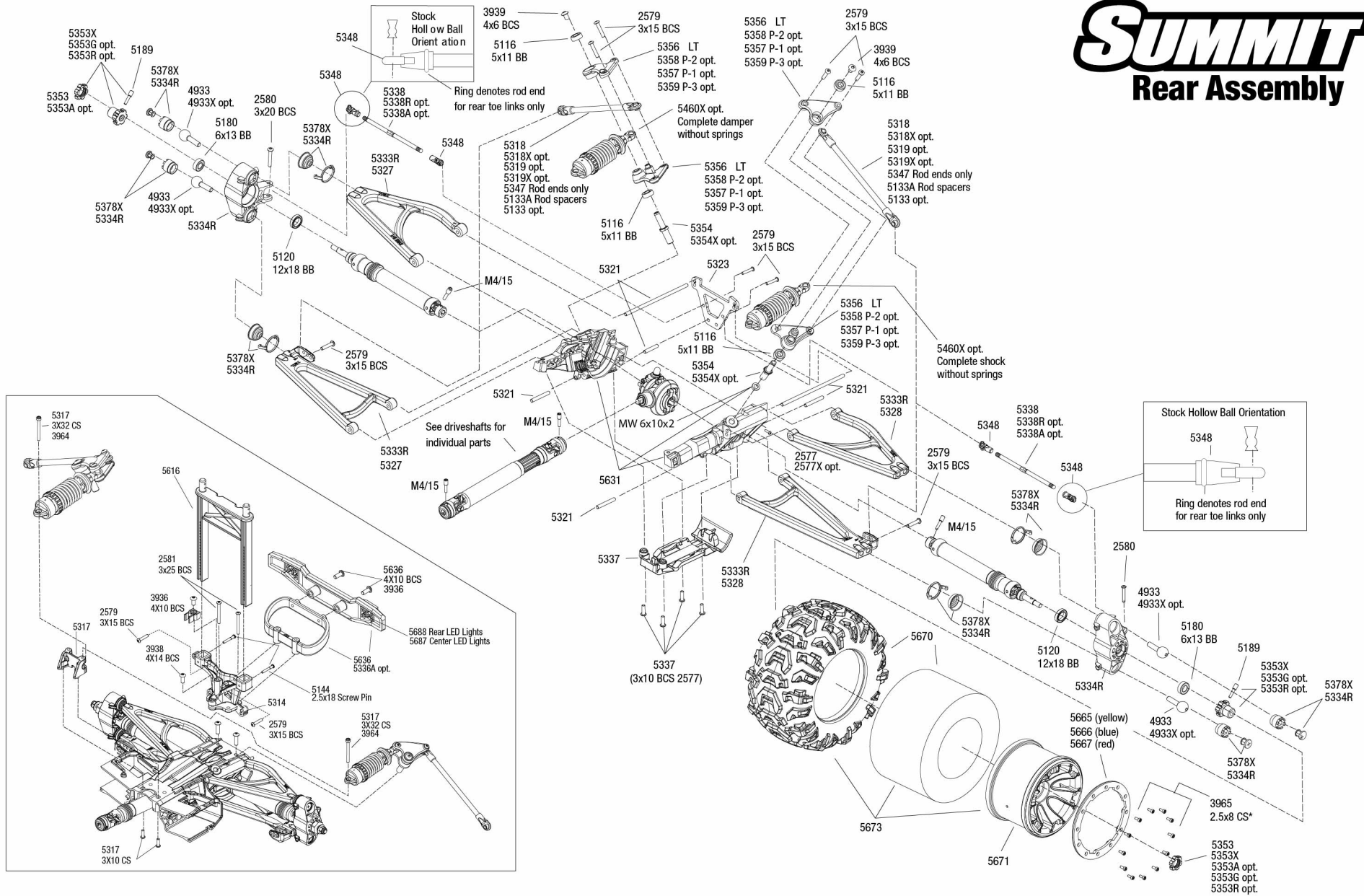
Front Assembly



REV 190304-R06
 Specifications on this page are subject to change without notice. Every attempt has been made to ensure the accuracy of this drawing; however, Traxxas cannot be held responsible for typographical or other errors.

SUMMIT

Rear Assembly



See Parts List for a complete listing of optional accessories.

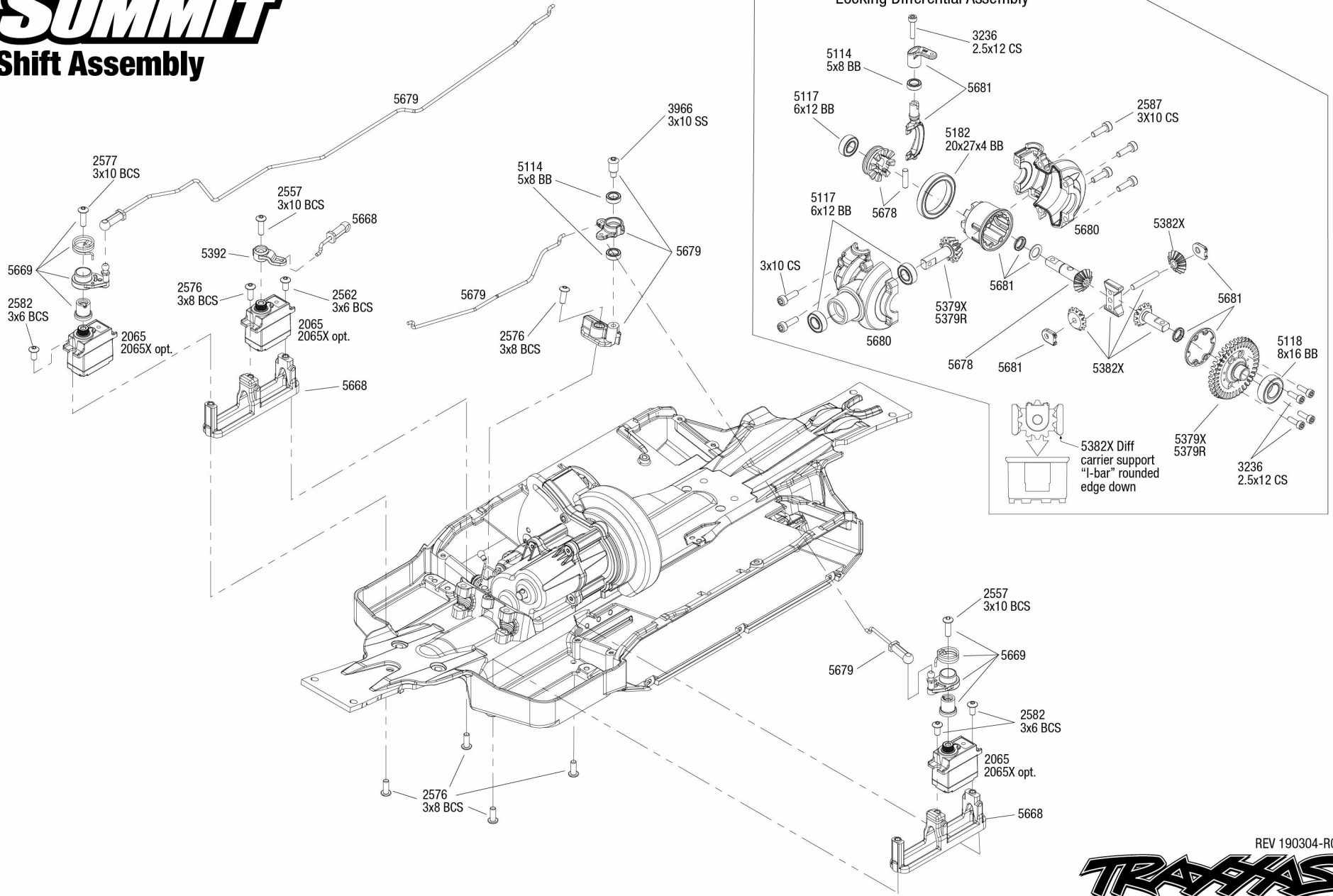
*Included with beadlock rings (#5665,5666,5667)

Specifications on this page are subject to change without notice. Every attempt has been made to ensure the accuracy of this drawing; however, Traxxas cannot be held responsible for typographical or other errors.

REV 190304-R06

SUMMIT

Shift Assembly



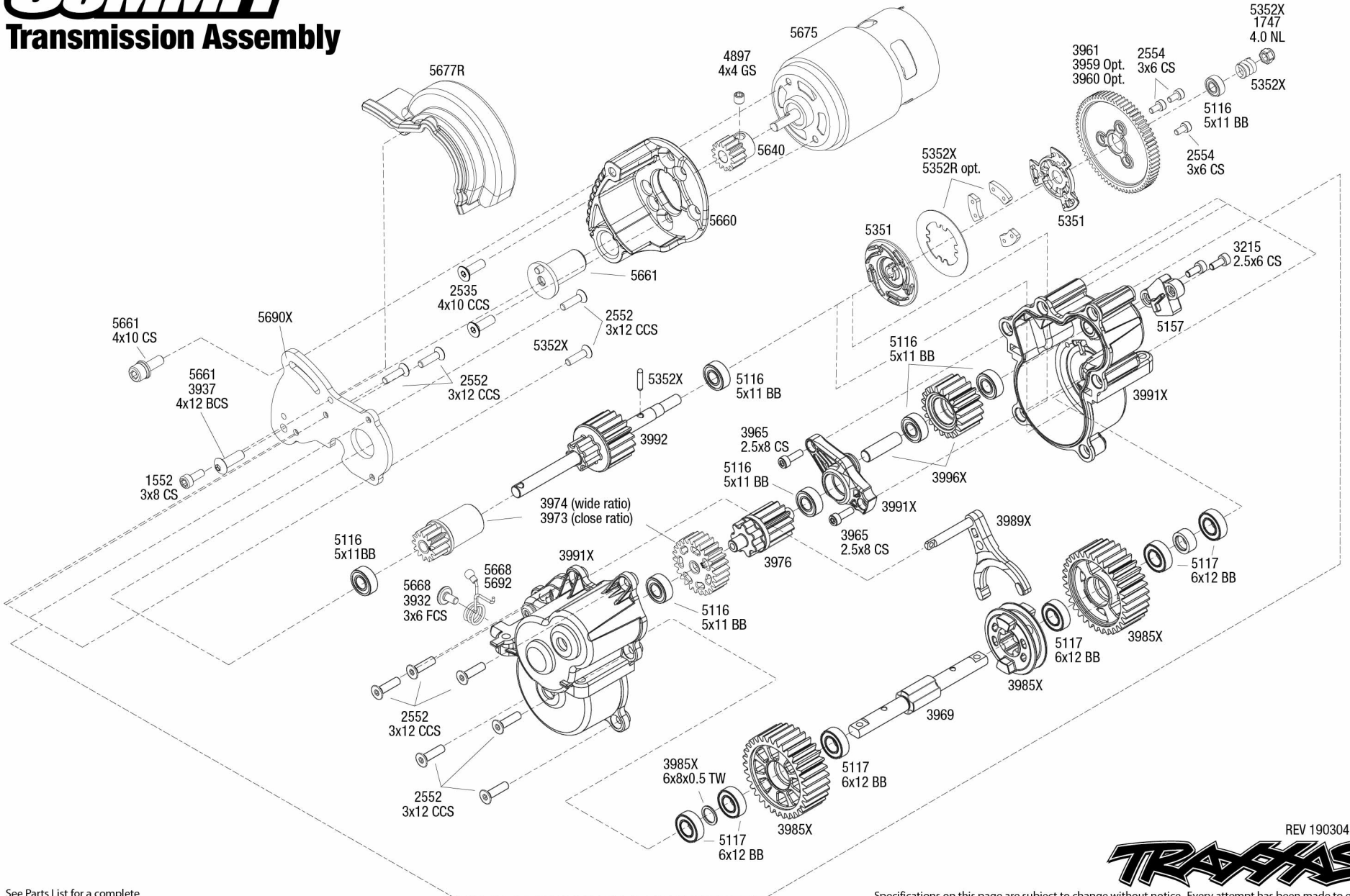
See Parts List for a complete listing of optional accessories.

Specifications on this page are subject to change without notice. Every attempt has been made to ensure the accuracy of this drawing; however, Traxxas cannot be held responsible for typographical or other errors.

REV 190304-R06
TRAXXAS

SUMMIT

Transmission Assembly



See Parts List for a complete listing of optional accessories.

REV 190304-R06
TRAXXAS
 Specifications on this page are subject to change without notice. Every attempt has been made to ensure the accuracy of this drawing; however, Traxxas cannot be held responsible for typographical or other errors.