

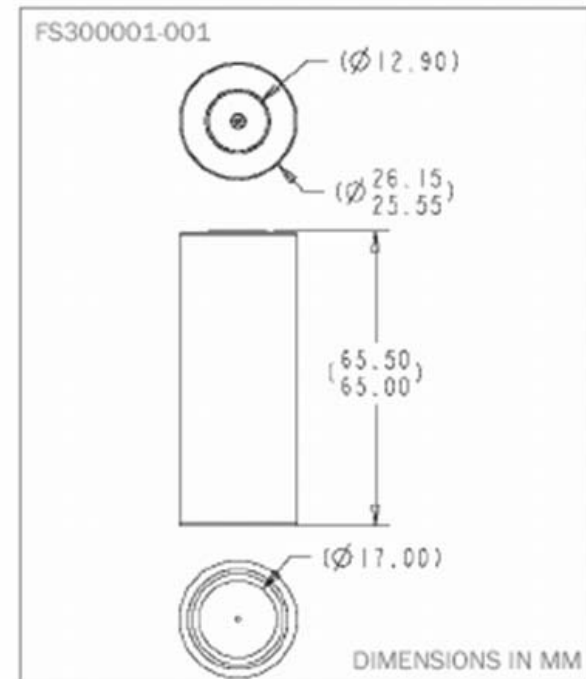


© Copyright by Modellbau Lindinger GmbH - jede Veröffentlichung, Weitergabe oder kommerzielle Verwendung bedarf unserer schriftlichen Genehmigung.

ANR26650M1

A123Systems lithium-ion rechargeable ANR26650M1 cell is capable of very high power, long cycle and storage life, and is inherently safe due to its use of patented nanophosphate technology.

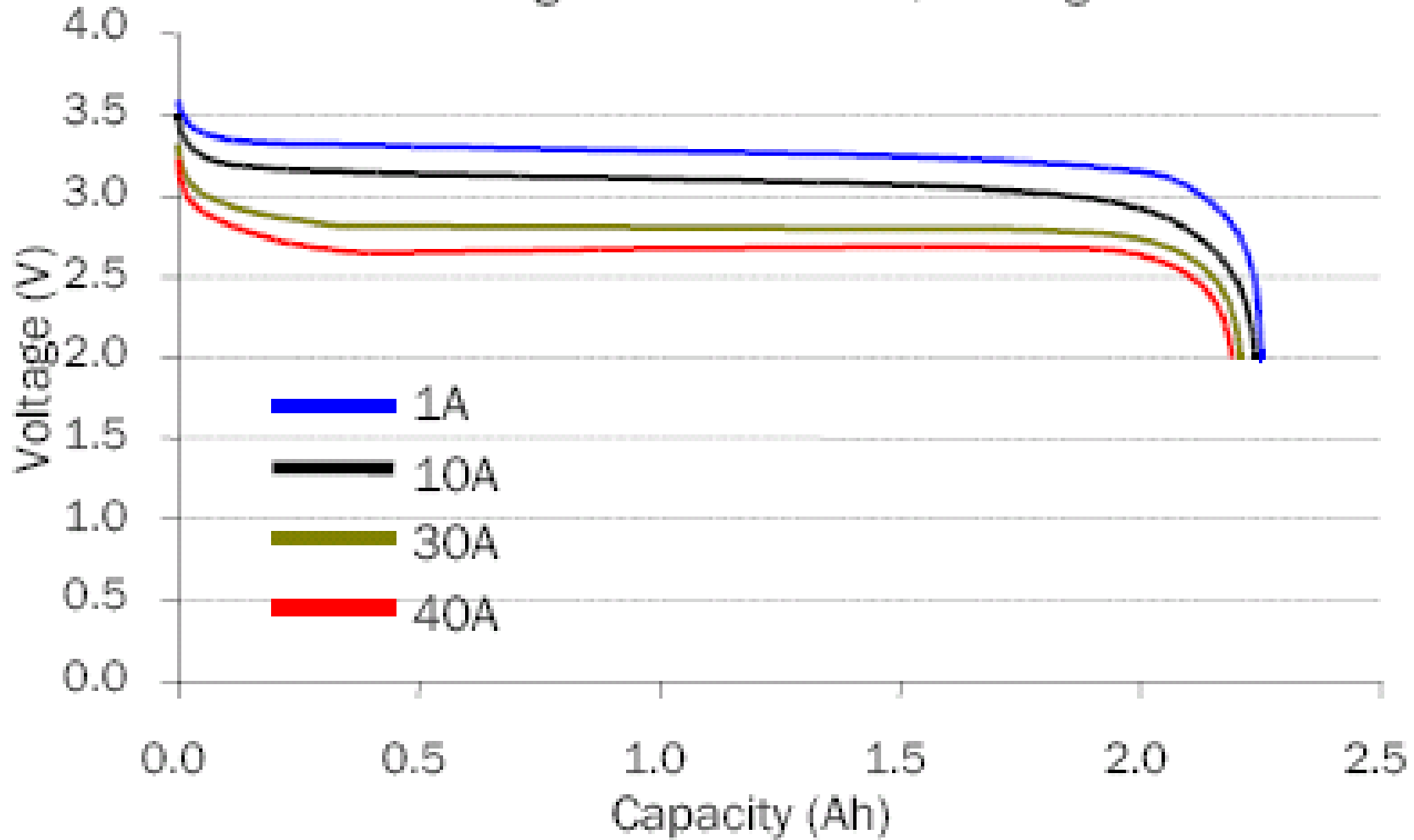
Nominal capacity and voltage	2.3 Ah, 3.3 V
Energy	7.6 Wh
Internal impedance (1kHz AC)	8 mΩ typical
Internal resistance (10A, 1s DC)	10 mΩ typical
Standard charge method	3A to 3.6V CCCV, 45 min
Max charge current	10A to 3.6V CCCV, 15 min
Max continuous discharge	60A
Max pulse discharge (10 sec)	120A
Cycle life at 10C discharge, 100%DOD	Over 1,000 cycles
Operating temperature range	-30 °C to +60 °C
Storage temperature range	-50 °C to +60 °C
Core cell weight	70 grams



© Copyright by Modellbau Lindinger GmbH - jede Veröffentlichung, Weitergabe oder kommerzielle Verwendung bedarf unserer schriftlichen Genehmigung.

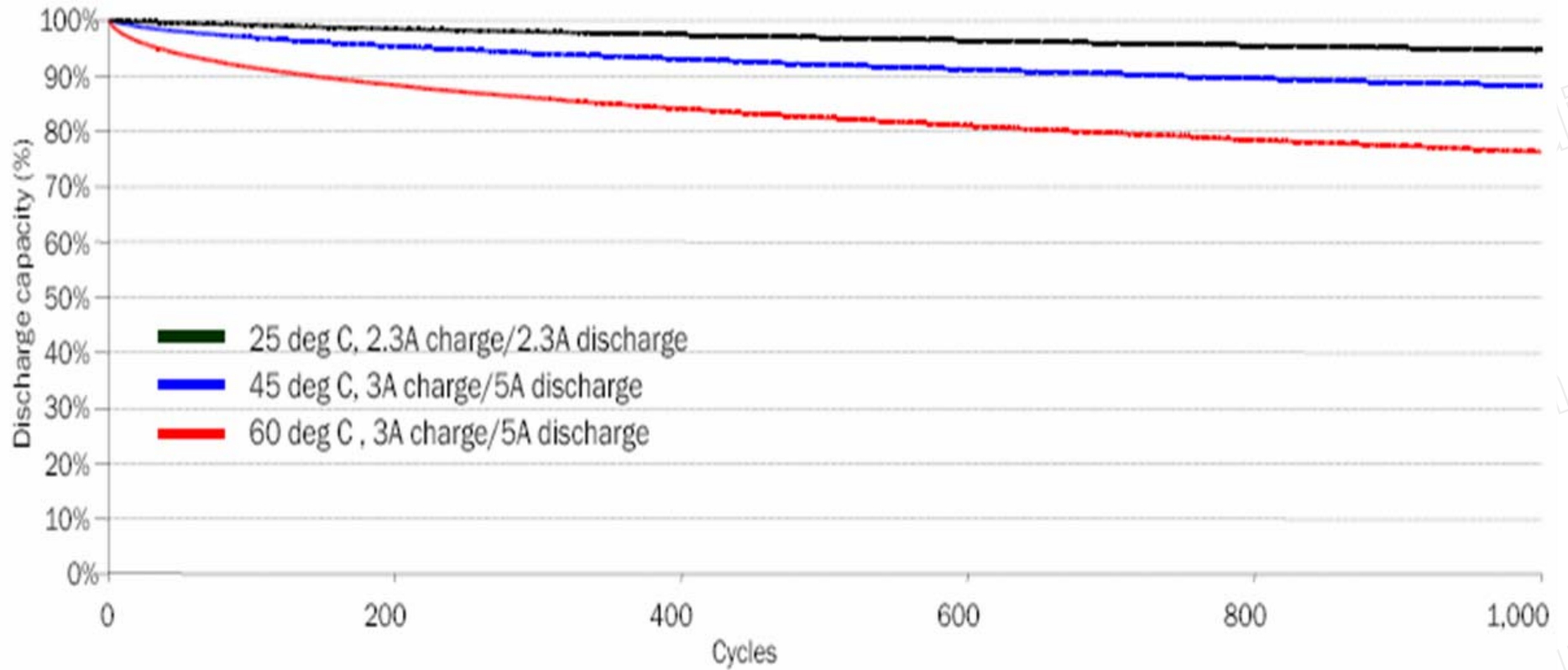
Discharge characteristics

Discharge characteristics, 25 deg C



Cycle life

Cycle life performance, 100% DOD, various temperatures

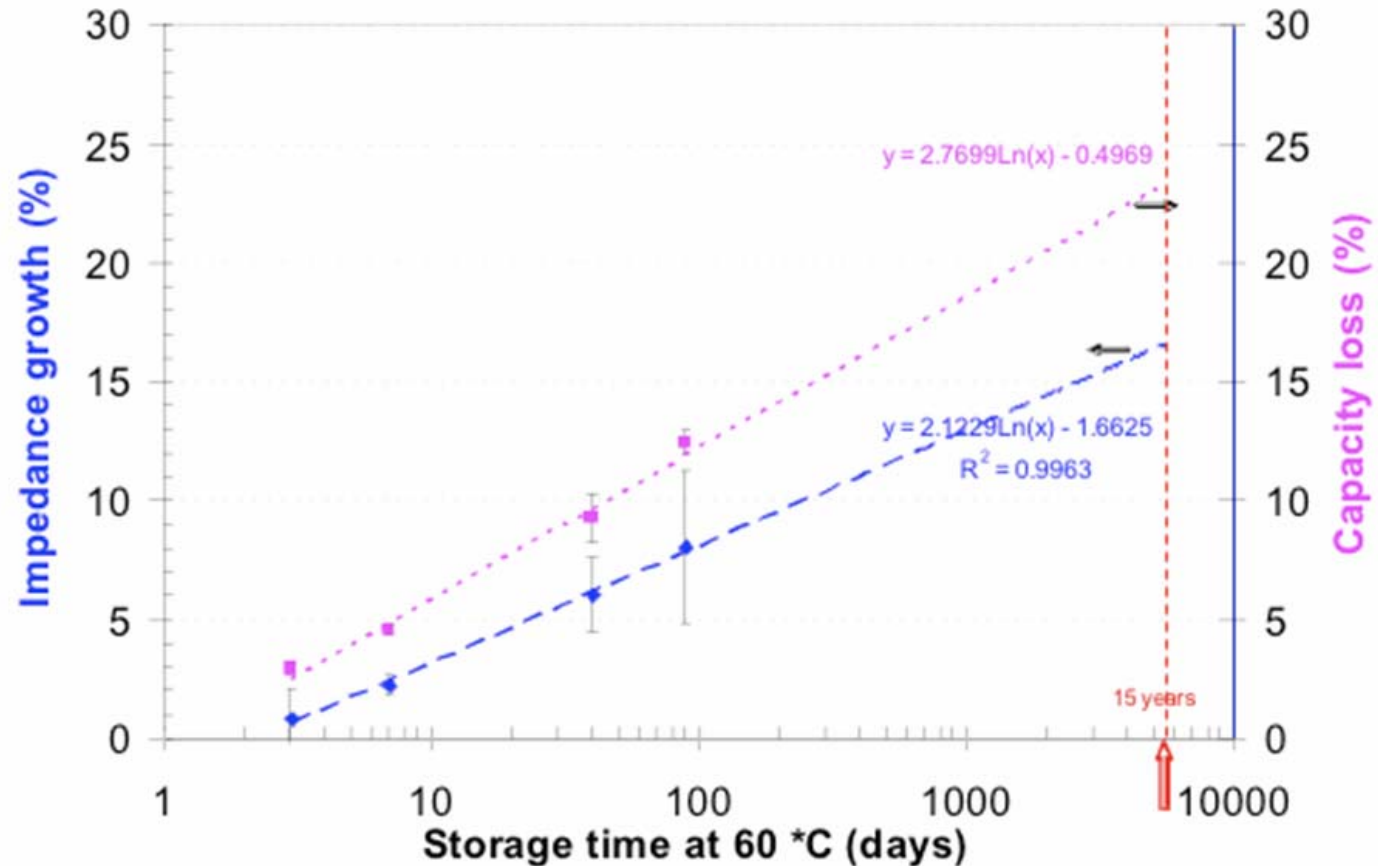


© Copyright by Modellbau Lindinger GmbH - jede Veröffentlichung, Weitergabe oder kommerzielle Verwendung bedarf unserer schriftlichen Genehmigung.

Calendar Life Data

Storage at 100% SOC, 60 °C

- Current test projecting excellent calendar life: 17% impedance growth and 23% capacity loss in 15 years at 100 % SOC, 60 °C
- Each data point is an average of six cells

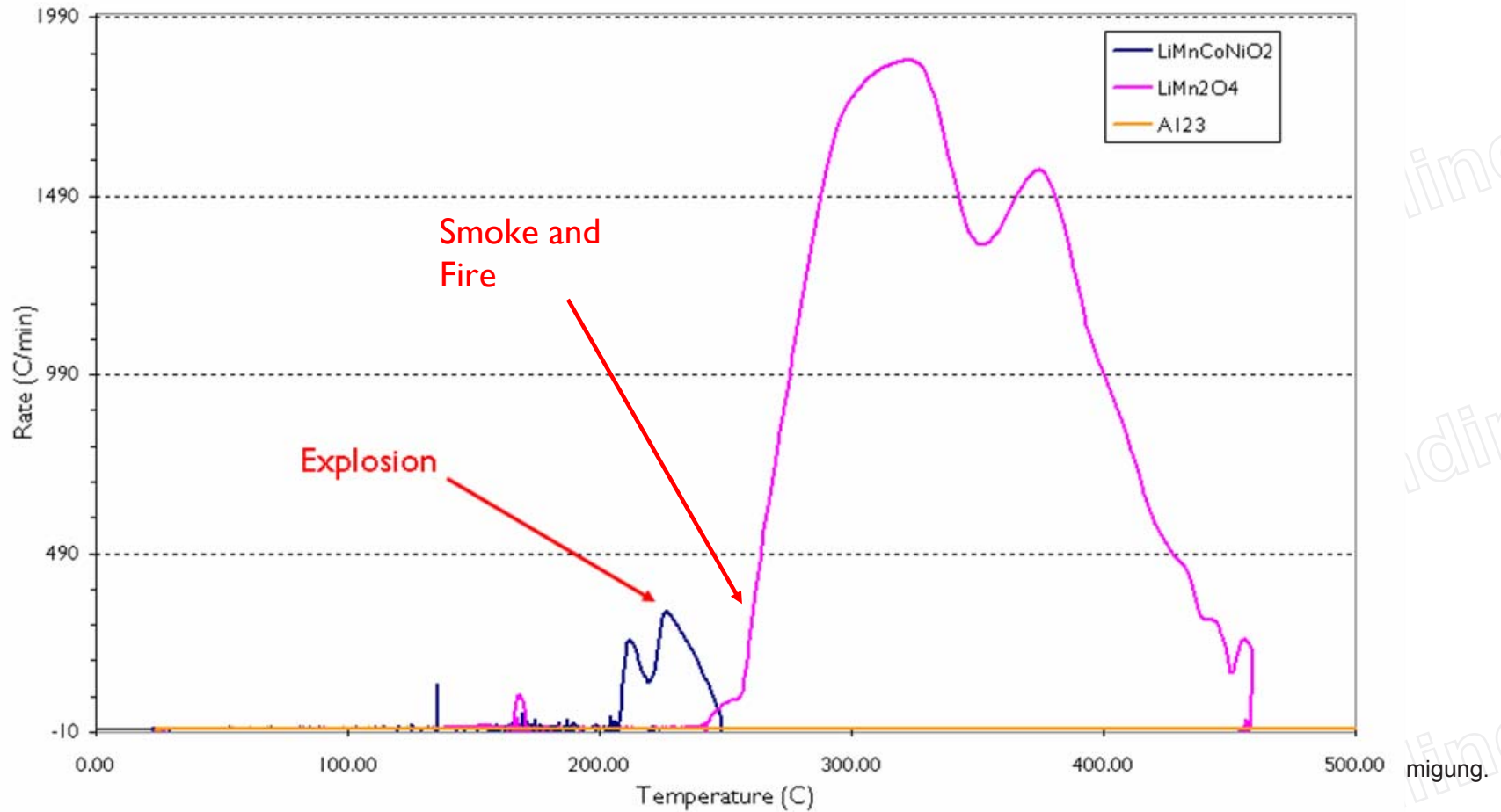


© Copyright by Modellbau Lindinger Gn

Thermal runaway comparison

A123 versus mixed oxides and manganese spinel

Exhibiting Thermal Runaway



Thermal runaway comparison

A closer look

Exhibiting Thermal Runaway

